

# Track Wheel

Make your wheelchair free rolling  
User's manual (EN)



Track Wheel C2/A2  
(Double Arms Clamping, Carbon Fiber/Alu)



Track Wheel C1/A1  
(Single Arm Clamping, Carbon Fiber/Alu)



more than mobility

# INDEX

- 1 General Information**
- 2 Purpose and Normal Use**
- 3 Improper Use**
- 4 Safety Warnings**
- 5 Waste Management**
- 6 Label**
- 7 Transport**
- 8 Warranty**
- 9 Cleaning & Disinfection**
- 10 Maintenance and Service**
- 11 Re-use**
- 12 Technical Data**
- 13 Product Description**
  - 13.1 Delivery Scope**
  - 13.2 Overview**
  - 13.3 Features**
- 14 Setting Up Your Track Wheel**
- 15 How to Use**

## 1. General information

Dear customer,

Thank you for choosing the **Track Wheel**.

This User manual contains a description of the medical device and important guidelines to ensure a correct and safe usage of the product. Please read this manual carefully. It is especially important to read the safety requirements and to follow these.

**REHASENSE®** continuously develops its products and reserves the right to change specifications and functions of products without notice.

By queries please contact your dealer or **REHASENSE®** directly. The contact data is located on the last page of this manual.

## 2. Purpose and Normal Use

The **Track Wheel** is an accessory designed to be connected to a manual wheelchair. By lifting the front castors, only the rear wheels of the wheelchair and the Track Wheel are used.

A bigger front wheel allows the users to facilitate mobility on uneven surfaces. It greatly increases the user's independence and riding flexibility. In addition, it reduces the rolling resistance which make the riding more relaxing.

## 3. Improper Use

Any use that does not follow the description in this User's Manual. This also includes the technical specification.

## 4. Safety Warnings

### Track you use the Track Wheel at the first time



#### **WARNING!**

The user should have read and understand the manual and know how the Track Wheel works.



#### **WARNING!**

Before using the Track Wheel, assess your skills and determine if you need an assistant. To decide whether you need an assistant, you should also request an expert opinion for reference. If your assessment is based solely on your own perception, you, or the people around you could be injured.



#### **WARNING!**

Practice running on even ground in a safe environment together with an assistant, until you feel confident about how it works. If you are driving on public roads, even though you are not sure how to use the Track Wheel, you, or other people around you can be injured.

### Driving



#### **WARNING!**

Keep in mind that the Track Wheel allows the wheelchair to be longer at the front, so that you do not injure yourself or others around you.



#### **WARNING!**

Keep in mind that the Track Wheel is not for play or sports, but is an aid to make it easier to get forward on such as snow, sand, grass, etc.

**Note! Check tyre pressure before using the Track Wheel.**

## Cleaning

**WARNING!**  
The Track Wheel is suitably cleaned with compressed air or a dry plastic brush and a damp cloth. If it is dirty, use a mild detergent solution. Wipe with a soft cloth and air dry.

**WARNING!**  
Do not use corrosive or abrasive cleaning agents.

**Note! The Track Wheel is appropriately disinfected by using a cloth with alcohol.**

## Other

**WARNING!**  
It is extremely important that all the screws are properly tightened after setting up.

## 5. Waste Management

Once the Track Wheel has served and is to be scrapped, contact the local authorities to obtain information about recycling and follow their instructions.

Alternatively, you can contact your reseller for recycling your used Track Wheel.


## 6. Label

This is an example of the product label it is located on the product.


The image shows a product label for 'Track Wheel - C2'. The label is divided into several sections. On the left side, there is a vertical barcode with the text 'SN' at the top and '(01)05907467804286(11)200930(21)0001' below it. Below this barcode is another vertical barcode with the text 'Barcode EAN - GS1 128'. At the bottom of the label is a large horizontal barcode with the text 'Barcode EAN 13 in standard GS1' and '5 907467 804286' below it. The main body of the label contains the following information: 'Track Wheel - C2' (Product name), '2020-09-30' (Production date), 'RTW12DC' (Item number), '12"' (Wheel size), and '140 kg' (Max use weight). There are also icons for a factory, a person with a wheel, and a person with a bag. At the bottom of the label, there is a CE mark, a small icon of a person with a wheel, and the text 'REHASENSE Sp. z o.o. Sulejowska 45 G 97-300 Piotrków Tryb. Poland'. Callout boxes point to these various elements: 'Serial number in standard GS1 128' points to the vertical barcode; 'Barcode EAN - GS1 128' points to the vertical barcode; 'Barcode EAN 13 in standard GS1' points to the large horizontal barcode; 'Product name' points to 'Track Wheel - C2'; 'Production date' points to '2020-09-30'; 'Item number' points to 'RTW12DC'; 'Wheel size' points to '12"'; 'Max use weight' points to '140 kg'; and 'Can be used outdoor' points to the small icon of a person with a wheel.


## 7. Transport


### Public Transport

-  **WARNING!**  
Do not have the Track Wheel mounted on the footrest when travelling by public transport. Hang the Track Wheel on the transport holder.

### Storage and Transport

-  **WARNING!**  
Use straps to ensure that the Track Wheel can be transported safely.

-  **WARNING!**  
Never transport the Track Wheel connected to a wheelchair.

-  **WARNING!**  
Place the Track Wheel so that no parts are damaged during transport.

## 8. Warranty

### Warranty information

- The manufacturer covers the product with 24 months warranty from the purchase date.
- During that period, all material, or parts defects, caused by manufacturing faults or usage of improper materials will be repaired or replaced free of charge.
- Damages to tyres caused by wear in time during use are not covered by warranty. Other parts of the Track Wheel, which undergo normal wear during use are not covered by the warranty either.
- All mechanical defects and damages caused by improper use or usage not intended by manufacturer are not covered by warranty.
- Not authorized changes and modifications of the Track Wheel will cause loss of warranty.
- If any defects or damages occur, Single should immediately inform the supplier.

### Range of responsibility

- The warranty does not cover transport cost.
- The warranty does not cover injury or other damages eventually related to a malfunction of this product.
- The warranty does not cover damage caused by the inability to use the product.
- The manufacturer does not bear the responsibility for damages caused as the result of inappropriate or incorrect understanding of this User Manual.

### Product modifications & additionally installed elements

- This definition refers to any products, which was modified, and which differs from details given in this manual or if additional elements, not supplied by the manufacturer, are fixed to the product. If the device was modified in the above way by the User without the manufacturer's written authorization, it is no more compliant with the CE essential requirements and will not be covered by the warranty.
- If you have any questions or doubts concerning modifications, please contact the manufacturer before you take any action.

## 9. Cleaning & Disinfection

### Frame

The frame ought to be cleaned with use of a damp cloth or alternatively with the addition of a soft detergent. After that it should be wiped with a dry rag. The frame should be regularly inspected, to find damages of the paint, which may cause corrosion. In case of any visible frame damages (cracks, painting defects etc.) ask your local dealer for diagnostics and maintenance.

### Disinfection

For disinfection please contact your dealer to be sure is made by professional personnel. However, for individual use we recommend using the generally available disinfectants without chlorine and phenol. The manufacturer is not responsible for the damage caused by wrong usage of disinfectants.

## 10. Maintenance & Service

The user may not self-repair or service the Track Wheel.

The user may not self-remove and send parts of the Track Wheel to the dealer for repair. If a repair is required, contact your dealer, even if the fault is of a minor nature.

If parts are damaged or missing, contact the dealer immediately. Submit the Track Wheel to the dealer for replacement or repair of parts.

For normal maintenance, repair, or service, always contact the dealer. If the Track Wheel is not repaired or all parts are not used in assembly, the user, the persons in its environment or the property may be damaged.

To perform repairs and servicing, the dealer uses the spare parts catalogue and other documentation. This documentation is not available to users and the public.

### Punctures



#### **WARNING!**

The tyre on the Track Wheel has the same structure as a bicycle tire. Therefore, as a rule, a bicycle workshop can make puncture and change tires on this product. If you do not have access to a bicycle workshop, please contact your dealer.

### **Most common problems and solutions**

If you notice any irregularities in the product's functioning, do not use it – you should contact your local point of sale or the service department of the supplier. The manufacturer does not warranty correctness of the operation if non-original parts are used.

## 11. Re-use

This medical device can be reused by another user if the original user of the product does not need it anymore. Before reuse, the device must be carefully inspected and disinfected by authorized technical staff at the dealer.

Following elements should be checked:

- rigidity of the structure,
- tightness of bolts and nuts,
- condition of wheels and ball bearings,
- efficiency and condition of other parts.

If any of above elements are torn or broken, they should be replaced with new parts. It is specially recommended to install new wheels for every new user of the device. All loose bolts and nuts must be tight. The product must be precisely cleaned and disinfected.



### WARNING!

It is forbidden to re-use the product when the frame is bent or broken. Every new user must receive the device with this user's manual attached.

## 12. Technical Data

Technical Data will vary according to the updates may have. All measurements are in millimeters (mm) for distance and kilograms (kg) for weight, unless otherwise stated.

	Track Wheel			
	C2 (Double Arms Clamping, Carbon Fiber)	A2 (Double Arms Clamping, Alu)	C1 (Single Arm Clamping, Carbon Fiber)	A1 (Single Arm Clamping, Alu)
Total Length - mm	570	570	670	670
Total Width - mm	250	250	80	80
Total Height - mm	440	440	360	360
Total Weight - kg	4.7	4.9	2	2.2
Wheel Size - inch	12"	12"	12"	12"
Air Pressure in Tyre - BAR	2.5	2.5	2.5	2.5
Angle Adjustment Range (for wheelchair legrest angle)	60°-110°	60°-110°	75°-95°	75°-95°
Width Adjustment Range - mm	300	300	--/--	--/--
Height Adjustment Range - mm	50	50	--/--	--/--
SWL - kg	140	140	140	140

## 13. Product Description

To facilitate the most user's riding, our Track Wheel system gives solutions on fitting both rigid frame wheelchair and foldable wheelchair. Its great adjustability possibly over all sizes wheelchairs on the market.

Single of the greatest features – easy clamp, effectively make the connecting easy and fast.

We provide options on double arms and Single arm, both the Carbon Fibre and Alu frame.

### 13.1 Delivery Scope

The delivery of Track Wheel includes the following:

1. Track Wheel
2. User's Manual

### 13.2 Overview

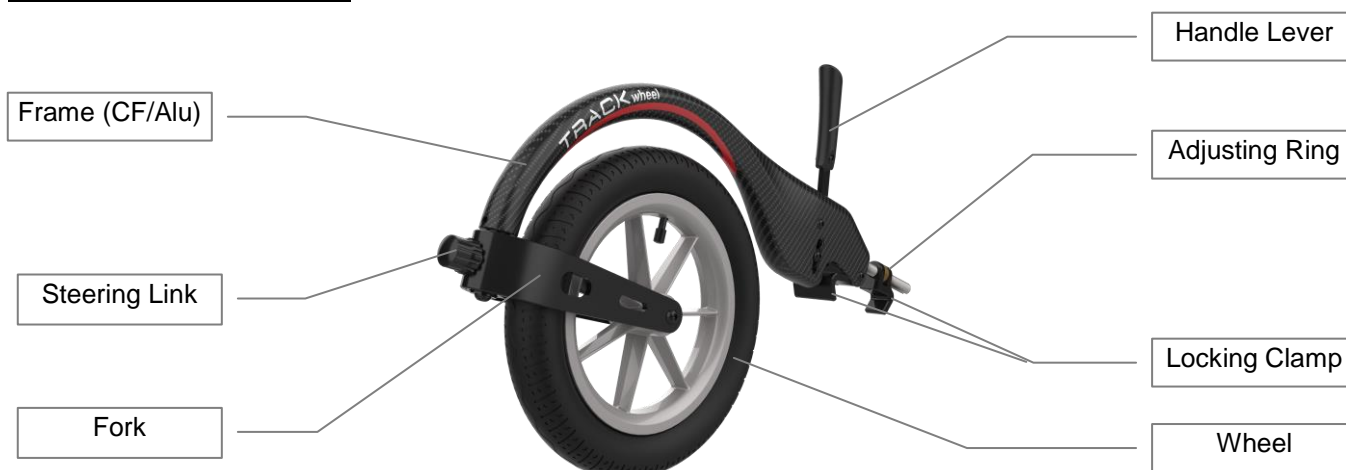
The Track Wheel consists mainly of the following parts.

#### C2/A2 (Double Arms, CF/Alu)





### **C1/A1 (Single Arm, CF/Alu)**



### **13.3 Features**

#### **Convert the wheelchair into a three-wheel vehicle:**

- Easier to navigate kerbs and rough roads
- Reduces rolling resistance
- Fitting solutions for both rigid and folding wheelchairs – adjustable to many sizes
  - Double Arm - Clamp to anterior side frames on folding chairs
  - Single Arm - Fit to rigid foot plate designs for rigid chairs
  - Constructed from either aluminum or carbon fiber composite materials
- Ergonomic elegant design contributes to make the life with aesthetics.
- Roll up to Lift up – Track Wheel pivots around front to back, to lift the castors off the ground



#### **WARNING!**

Please note that the Track Wheel should only be mounted on a reinforced footrest.

## 14. Setting Up Your Track Wheel

### C2/A2 (Double Arms, CF/Alu)



#### **WARNING!**

The Double Clamp is fastened on the anterior side frame of rigid or folding chairs.



### Adjust the Clamping Jaw Width

For fitting with different tube diameter size of wheelchair leg rest hanger.



To adjust the clamping jaw:

- Adjust the bolts indicated.
- Tighten it after fitting with wheelchair leg rest hanger.

### Adjust the Track Wheel to fit your wheelchair

Adjustable in 4 planes to get the best fit congruency.



To adjust the Track Wheel:

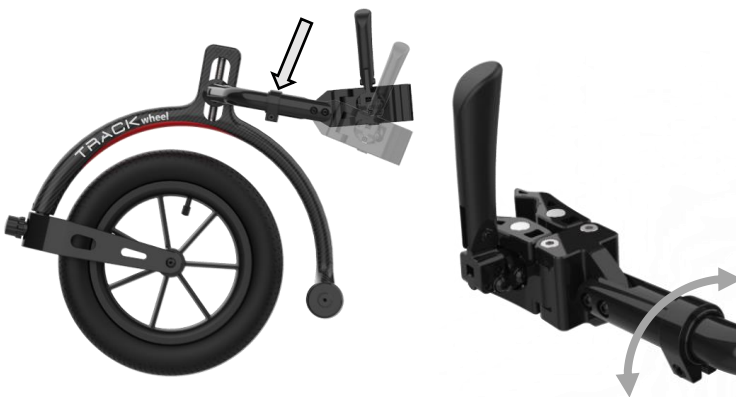
- Adjust the bolts indicated to start.

### Adjust the clamp angle



- Loosen the bolt
- Adjust the clamp angle
- Tighten the bolts

### Rotate around the long axis



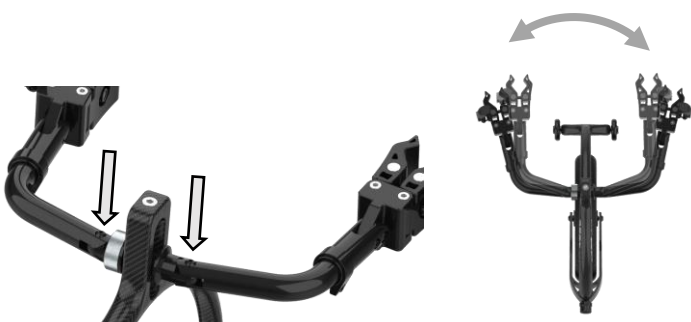
- Loosen the bolt
- Adjust the clamp angle
- Tighten the bolts

### Adjust the height



- Use an Allen key to loosen the bolt
- Adjust the height
- Tighten the bolts

### Adjust the width



- Loosen the bolt
- Adjust the width
- Tighten the bolts

## C1/A1 (Single Arm, CF/Alu)

### **WARNING!**

The Single arm model is mainly designed to fit with **rigid** wheelchair, the clamp is fastened to the wheelchair footplate tube.



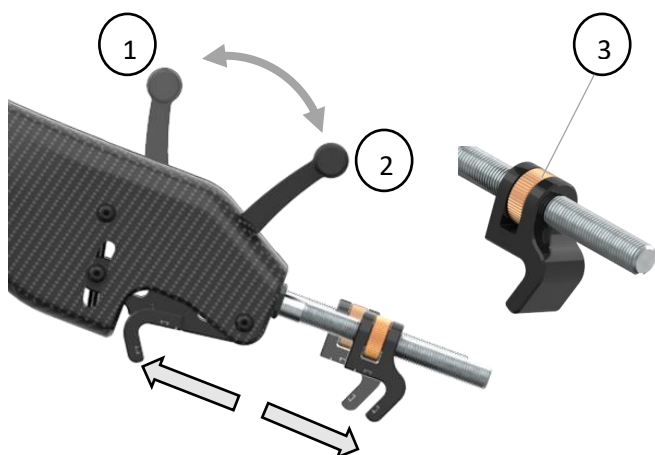
### Adjust the angle



Each wheelchair has different footrest angle:

- With the Track Wheel forward, adjust the bolts indicated to adjust the footplate Clamp to the correct angle.

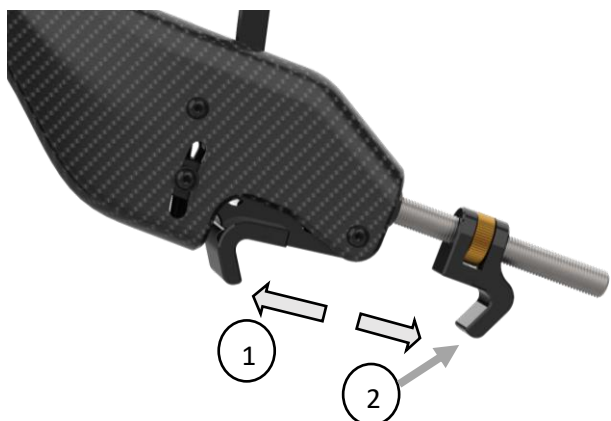
### Connect with the wheelchair



Push to (1) Clamp Close position, the adjusting clamp goes inward,  
Pull to (2) Clamp Open position, the adjusting clamp goes outward:

- Open the Clamp (Position 2).
- Clamp depth can be adjusted up to a maximum of 145 mm and accepts tubes up to 25 mm diameter.
- Use the adjusting ring to open or close the Clamp Jaws.
- Close the Clamp (Position 1) – ensure there is a tight connection.
- Readjust the Adjusting Ring (3) until the secure clamp has been achieved.
- Recommended torque on the locking nut for clamp is 30Nm.

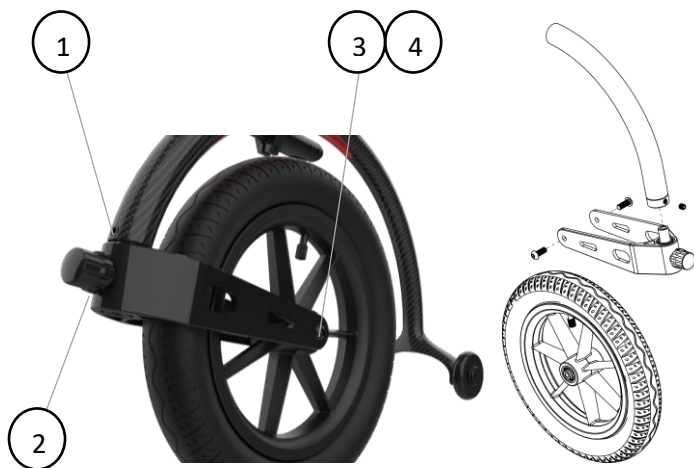
**Note! The maximum suited tube diameter and clamping distance are shown as below.**



- Maximum adjustable distance (1) for the clamping is 145mm.
- Maximum tube diameter (2) this clamping can be fit is D25 mm.

### **Changing the wheel**

For both the single and double arm versions.



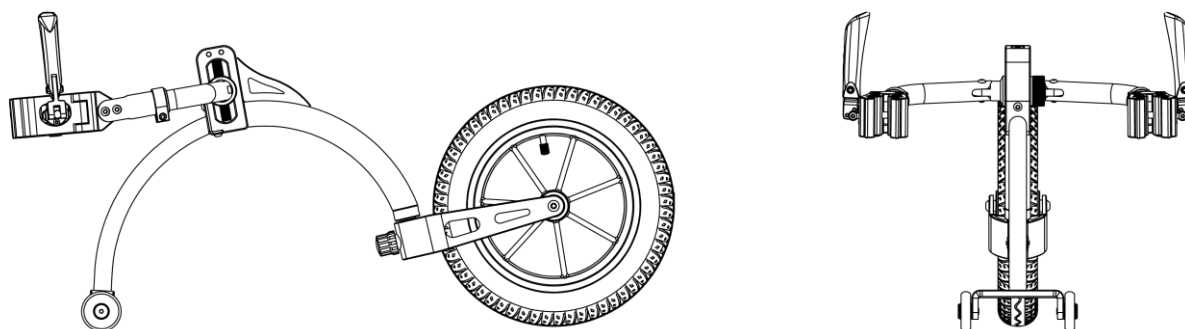
- Loosen the bolt (1).
- Loosen the bolt (2) to make the fork and wheel assembly detached from the frame.
- Loosen the bolt (3) and (4).
- Take off the fork from wheel.
- Change to the new wheel, tighten the bolt (3) and (4), recommended torque is 8 Nm.

## **15. How to Use**

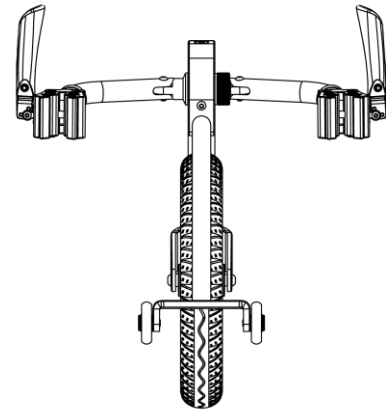
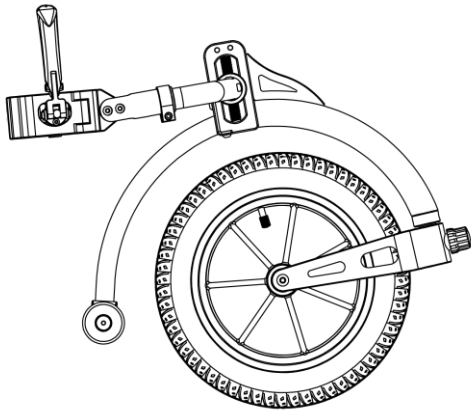
### **WARNING!**

The user should have read and understood the manual and understand how the Track Wheel works.

### **Double Arms, CF/Alu**

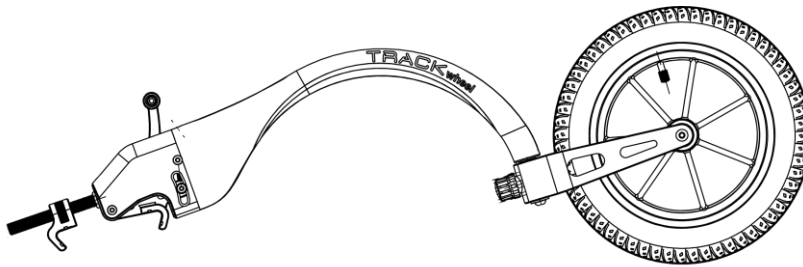


### **Before Setting Up**

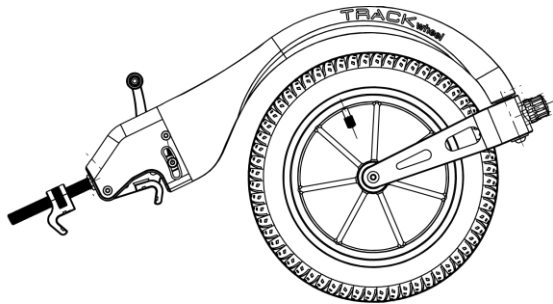


**After Setting Up**

**Single Arm, CF/Alu**



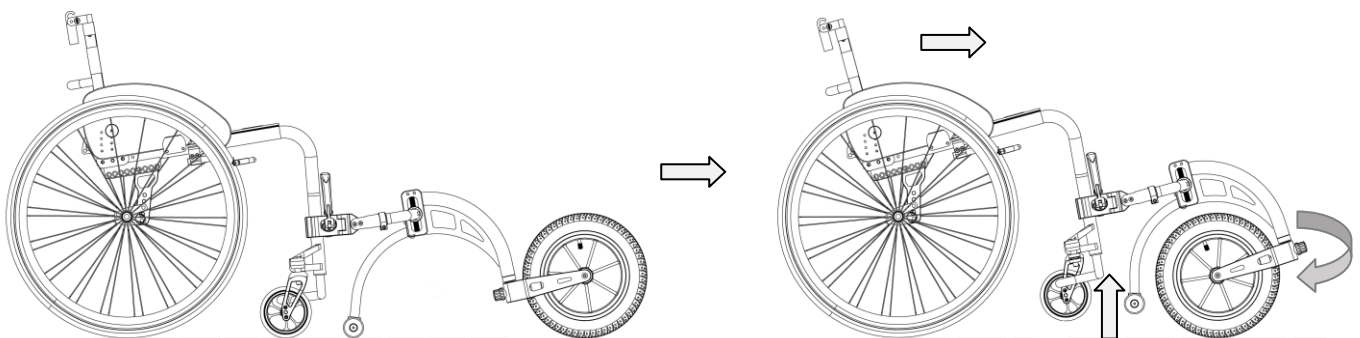
**Before Setting Up**



**After Setting Up**

**Note! Before setting up, all wheels are on the ground, the Track Wheel is at outward position.**

**Note! After setting up, when user propel the wheelchair, the Track Wheel will automatically turn inward, at the same time the wheelchair front castors and Track Wheel's support wheel are lifted from the ground.**



**Connect**

**Forward, Rotate and Lift**



REHASENSE

**In case of any technical questions contact your local distributor or directly with Rehasense.**

**Distributor:**

**Rehasense® Sp. z o.o.**  
Sulejowska 45G  
97-300 Piotrków Trybunalski  
Poland

[www.rehasense.com](http://www.rehasense.com)  
[info@rehasense.com](mailto:info@rehasense.com)