

JAY® J3 Back

Important Consumer Information

NOTE: This manual contains important instructions that must be passed on to the user of this product. Please do not remove this manual before delivery to the end user.

SUPPLIER: This manual must be given to the user of this product.

USER: Before using this product, read this entire manual and save for future reference.

WARRANTY REGISTRATION: To validate the warranty on this product, please complete and return the postcard attached to the enclosed instruction and warranty booklet.

Owner's Manual

JAY® J3 Rücken

Wichtige Informationen

HINWEIS: Dieses Handbuch enthält wichtige Informationen, die an den Benutzer dieses Produkts weitergeleitet werden müssen. Bitte entfernen Sie dieses Handbuch vor der Auslieferung an den Endbenutzer nicht.

FACHHÄNDLER: Dieses Handbuch muss dem Benutzer des Produkts ausgehändigt werden.

BENUTZER: Vor dem Gebrauch des Produkts lesen Sie bitte das gesamte Handbuch, und bewahren Sie es für zukünftigen Bedarf auf.

GARANTIEREGISTRIERUNG: Damit die Garantie für dieses Produkt gültig wird, bitte die Postkarte in der beiliegenden Betriebs- und Garantieanleitung ausfüllen und an uns zurücksenden..

Benutzerhandbuch

JAY® J3 Rugleuning

Belangrijke informatie voor consumenten

OPMERKING: Deze gebruikershandleiding bevat belangrijke instructies die aan de gebruiker van dit product moeten worden doorgegeven. Verwijder deze gebruikershandleiding niet voordat het product aan de eindgebruiker is geleverd.

LEVERANCIER: Deze gebruikershandleiding moet aan de gebruiker van dit product worden gegeven.

GEBRUIKER: Lees voordat u het product gebruikt, deze gebruikershandleiding helemaal door. Bewaar de handleiding goed, zodat u hem in de toekomst ook kunt nalezen.

REGISTRATIE VAN GARANTIE: Om de garantie op dit product geldend te maken, vragen wij u de antwoordkaart die is aangehecht aan het bijgesloten instructie- en garantieboekje, volledig in te vullen en naar ons terug te sturen.

Handleiding



JAY® Respaldo J3

Información importante para el consumidor

NOTA: Este manual contiene instrucciones importantes que deben ser transmitidas al usuario del producto. Por favor no retire este manual antes de la entrega al usuario.

DISTRIBUIDOR: Debe entregar este manual al usuario del producto.

USUARIO: Antes de utilizar este producto, lea atentamente el manual completo.

REGISTRO DE GARANTÍA: Para validar la garantía de este producto, complete y envíe la postal adjunta al manual de instrucciones y cuadernillo con la garantía.

Manual del Usuario

JAY® Encosto J3

Informação importante para o consumidor

NOTA: Este manual contém instruções importantes que devem ser transmitidas ao utilizador deste produto. Não remova este manual antes de o entregar ao utilizador final.

FORNECEDOR: Este manual deve ser entregue ao utilizador deste produto.

UTILIZADOR: Antes de usar este produto, leia todo o manual e guarde-o para referência futura.

REGISTO DA GARANTIA: Para validar a garantia deste produto, preencha e envie o postal em anexo às instruções e livro da garantia incluídos.

Manual do Utilizador

JAY® Dossier J3

Informations importantes pour l'utilisateur

REMARQUE : This manual contains important instructions that must be passed on to the user of this product. Veuillez ne pas retirer ce manuel avant la livraison à l'utilisateur final.

REVENDEUR : Ce manuel doit être remis à l'utilisateur du produit.

UTILISATEUR : Avant d'utiliser votre produit, lisez attentivement ce manuel dans son intégralité et conservez-le pour pouvoir vous y référer ultérieurement.

ENREGISTREMENT DE GARANTIE : Pour valider la garantie de ce produit, veuillez remplir et renvoyer la carte d'enregistrement que vous trouverez dans le manuel et le livret de garantie.

Manuel d'utilisation

JAY® Schienale J3

Importanti informazioni per l'utente

NOTA: Questo manuale contiene importanti istruzioni che devono essere comunicate all'utente di questo prodotto. Si prega di non rimuovere il manuale prima della consegna all'utente.

RIVENDITORE: Questo manuale va consegnato all'utente del prodotto.

UTENTE: Prima di usare il prodotto, leggere attentamente tutte le sezioni del manuale e conservarlo per riferimento futuro.

GARANZIA: per la garanzia di questo prodotto, si prega di conservare la prova d'acquisto del prodotto.

Manuale d'uso

JAY® J3 Ryggstöd

Viktig konsumentinformation

OBS: Denna manual innehåller viktiga instruktioner som måste delges användaren av denna produkt. Vänligen avlägsna ej denna manual före leverans till slutanvändaren.

LEVERANTÖR: Denna manual måste överlämnas till den som ska använda produkten.

ANVÄNDARE: Innan du använder denna produkt, vänligen läs manualen och spara den sedan för framtida behov.

GARANTI: Vänligen kontakta din hjälpmedelscentral för garanti om något fel uppstått på produkten. Hjälpmedelscentralen kontaktar därefter leverantören.

Bruksanvisning

JAY® Rygg J3

Viktig kundeinformasjon

MERK: Denne bruksanvisningen inneholder viktige instruksjoner som må gis til brukeren av dette produktet. Bruksanvisningen må ikke fjernes før produktet leveres til sluttbrukeren.

LEVERANDØR: Denne bruksanvisningen må gis til brukeren av dette produktet.

BRUKER: Les igjennom hele bruksanvisningen før du bruker dette produktet, og ta vare på den for fremtidig bruk.

REGISTRERING AV GARANTI: brukes ikke i Norge

Brukerveiledning

JAY® Opěradlo J3

Důležité informace pro zákazníka

UPOZORNĚNÍ: Tato příručka obsahuje informace, které je nutno předat uživateli tohoto výrobku. Neodstraňujte tuto příručku před dodáním vozíku koncovému uživateli.

DODAVATEL: Tuto příručku je nutno dát uživateli tohoto výrobku.

UŽIVATEL: Před použitím tohoto výrobku si přečtěte celou příručku a uložte si ji pro použití v budoucnu.

ZÁRUKA – REGISTRACE ZÁRUKY Pro potvrzení záruky na tomto výrobku vyplňte a nechte si potvrdit od prodejce, popřípadě obchodního zástupce, prodávající firmy (možno i korespondenčně) přiložený záruční list s pokyny a záručními informacemi.

Příručka uživatele

JAY® Oparcie J3

Ważne informacje dla klienta

UWAGA: Niniejszy podręcznik zawiera ważne instrukcje, które należy przekazać użytkownikowi produktu. Niniejszego podręcznika nie należy usuwać przed dostarczeniem użytkownikowi końcowemu.

DOSTAWCA: Niniejszy podręcznik należy przekazać użytkownikowi produktu.

UŻYTKOWNIK: Przed rozpoczęciem korzystania z produktu należy przeczytać niniejszy podręcznik w całości i zachować go w celu korzystania w przyszłości.

REJESTRACJA GWARANCJI: Aby nadać ważność gwarancji na ten produkt, należy wypełnić i odesłać do nas kartę dołączoną do instrukcji i karty gwarancyjnej.

Instrukcja użytkowania

JAY® J3 rygstøtte

Vigtige forbrugeroplysninger

BEMÆRK: Denne vejledning indeholder vigtige anvisninger, som skal være tilgængelige for brugeren af produktet. Vejledningen må derfor ikke fjernes, men skal leveres til slutbrugeren sammen med produktet.

FORHANDLER: Denne vejledning skal gives videre til brugeren af produktet.

BRUGER: Sørg for at læse hele denne vejledning, inden du anvender produktet, og gem vejledningen til senere brug.

REGISTRERING AF GARANTI: For at bekræfte garantien på dette produkt, bedes du udfylde og returnere det postkort, der er fastgjort på de vedlagte instruktions- og garantibrochure.

Brugervejledning

JAY® Πλατη J3

Σημαντικές πληροφορίες για τον καταναλωτή

ΣΗΜΕΙΩΣΗ: Το παρόν εγχειρίδιο περιέχει σημαντικές οδηγίες που πρέπει να διαβιβαστούν στο χρήστη αυτού του προϊόντος. Μην αφαιρέσετε αυτό το εγχειρίδιο πριν από την παράδοση στον τελικό χρήστη.

ΠΡΟΣ ΤΟΝ ΠΡΟΜΗΘΕΥΤΗ: Το εγχειρίδιο αυτό πρέπει να δοθεί στο χρήστη αυτού του προϊόντος.

ΠΡΟΣ ΤΟΝ ΧΡΗΣΤΗ: Πριν χρησιμοποιήσετε αυτό το προϊόν, διαβάστε ολόκληρο το εγχειρίδιο και φυλάξτε το για μελλοντική αναφορά.

ΚΑΤΑΧΩΡΗΣΗ ΕΓΓΥΗΣΗΣ: Για να επικυρώσετε την εγγύηση σε αυτό το προϊόν, συμπληρώστε και επιστρέψτε την κάρτα που επισυνάπτεται στο εσωκλειόμενο φυλλάδιο οδηγιών και εγγύησης.

Εγχειρίδιο κατόχου

JAY® J3-Selkätuki

Tärkeä asiakastiedote

HUOMAUTUS: Tämä käyttöopas sisältää tärkeitä tietoja, jotka on saatettava tämän tuotteen käyttäjän tietoon. Älä poista tätä käyttöopasta ennen tuotteen toimittamista loppukäyttäjälle.

JÄLLEENMYYJÄ: Tämä käyttöopas on annettava loppukäyttäjälle.

KÄYTTÄJÄ: Lue tämä käyttöopas kokonaan ennen laitteen käyttöönottoa ja pidä se tallessa.

TAKUUN AKTIVOINTI: Aktivoi tuotteen takuu täyttämällä ja palauttamalla käyttöoppaan mukana toimitettu takuukortti.

Käyttöopas



ENGLISH

Introduction	6
Maintenance and Cleaning	7
Fitting the Back to the Chair	8
Installation	9
Adjustment	10
Vanity flap installation	11
J3 Accessories	12
Transit Safety	13
Removal and Replacement	14
Contraindications and Reuse	15
24 Month Limited Warranty	15



DEUTSCH

Einführung	16
Pflege und Reinigung	17
Montage des Rückens an den Rollstuhl	18
Montage	19
Einstellung	20
Anbringen der Schutzabdeckung	21
J3 Zubehör	22
Transportsicherheit	23
Entfernen und Austausch	24
Kontraindikationen und Wiederverwendung	25
24 Monate eingeschränkte Garantie	25



NEDERLANDS

Inleiding	26
Onderhoud en reiniging	27
Bevestigen van de rugleuning aan de stoel	28
Montage	29
Aanpassing	30
Bevestiging van de beschermflap	31
J3 accessoires	32
Veiligheid tijdens transport	33
Verwijdering en vervanging	34
Contra-indicatie en hergebruik	35
Beperkte garantie van 24 maanden	35



ESPAÑOL

Introducción	36
Mantenimiento y limpieza	37
Colocación del respaldo en la silla	38
Instalación	39
Ajuste	40
Instalación de la extensión de la funda	41
Accesorios de J3	42
Seguridad en tránsito	43
Retirada y nueva colocación	44
Contraindicaciones y reutilización	45
Garantía limitada de 24 meses	45



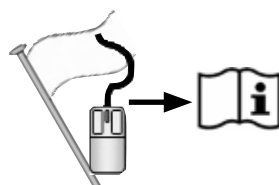
PORTUGUÊS

Introdução	46
Manutenção e limpeza	47
Instalar o Encosto na Cadeira	48
Instalação	49
Ajustamento	50
Instalação da Aba de Proteção	51
Acessórios J3	52
Segurança durante a Condução	53
Remoção e Substituição	54
Contra-indicações e reutilização	55
Garantia Limitada de 24 Meses	55



FRANÇAIS

Introduction	56
Entretien et nettoyage	57
Montage du dossier sur le fauteuil	58
Installation	59
Réglage	60
Installation de la protection du dossier	61
Accessoires J3	62
Sécurité à bord d'un véhicule	63
Dépose et réinstallation	64
Contre-indications et réutilisation	65
Garantie limitée de 24 mois	65



**ITALIANO**

Introduzione	66
Manutenzione e pulizia	67
Montaggio dello schienale sulla carrozzina	68
Installazione	69
Regolazione	70
Applicazione della Vanity Flap	71
Accessori J3	72
Sicurezza dello schienale in caso di trasporto su un veicolo a motore	73
Rimozione e riposizionamento	74
Controindicazioni e riutilizzo	75
Garanzia limitata di 24 mesi	75

**SVENSKA**

Inledning	76
Underhåll och rengöring	77
Montering av ryggstöd på stolen	78
Installation	79
Justering	80
Skyddsöverdrag installation	81
J3 tillbehör	82
Transportsäkerhet	83
Borttagning och omplacering	84
Begränsningar och återanvändning	85
24 månaders begränsad garanti	85

**NORSK**

Innledning	86
Vedlikehold og rengjøring	87
Montere ryggen på stolen	88
Montering	89
Justering	90
Montering av ryggtrekkforlenger	91
J3-tilbehør	92
Sikkerhet under transport	93
Demontering og utskiftning	94
Kontraindikasjoner og gjenbruk	95
2 års begrenset garanti	95

**ČESKY**

Úvod	96
Údržba a čištění	97
Montáž zádové opěrky na invalidní vozík	98
Instalace	99
Nastavení	100
Instalace krycí chlopně	101
Příslušenství J3	102
Bezpečnost při přepravě	103
Odstranění a výměna	104
Kontraindikace a znovupoužití	105
Omezená záruka 24 měsíců	105

**WERSJA POLSKA**

Wprowadzenie	106
Konserwacja i czyszczenie	107
Montowanie oparcia do wózka	108
Montaż	109
Regulacja	110
Montaż klapy zasłaniającej	111
Akcesoria J3	112
Bezpieczeństwo transportu	113
Demontaż i wymiana	114
Przeciwwskazania i recykling	115
24 miesiące gwarancji	115

**DANSK**

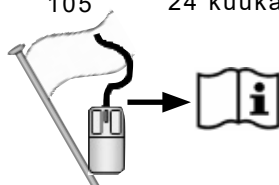
Indledning	116
Vedligeholdelse og rengøring	117
Montering af ryggen på kørestolen	118
Montering	119
Justering	120
Montering af diskretionsposen	121
J3 ekstraudstyr	122
Sikkerhed ved transport	123
Aftagning og genmontering	124
Kontraindikationer og genbrug	125
24 måneders begrænset garanti	125

**ΕΛΛΗΝΙΚΑ**

Εισαγωγή	126
Συντήρηση και καθαρισμός	127
Τοποθέτηση της πλάτης στην πολυθρόνα	128
Τοποθέτηση	129
Ρύθμιση	130
Τοποθέτηση βοηθητικού σκεπασματος	131
Εξαρτήματα J3	132
Ασφάλεια κατά τη μεταφορά	133
Αφαίρεση και αντικατάσταση	134
Αντενδείξεις και επαναχρησιμοποίηση	135
Περιορισμένη εγγύηση 24 μηνών	135

**SUOMI**

Esittely	136
Huoltaminen ja puhdistaminen	137
Selkäosan asennus tuoliin	138
Asennus	139
Säätö	140
Näkösuojan asennus	141
J3-lisävarusteet	142
Kuljetusturvallisuus	143
Irrutus ja vaihtaminen	144
Kontraindikaatiot ja uudelleenkäyttö	145
24 kuukauden rajoitettu takuu	145



Sunrise Medical recommends that a clinician such as a doctor or therapist experienced in seating and positioning be consulted to determine if a J3 Back is appropriate.

⚠ WARNING!

Backs should only be installed by:

- an authorized Sunrise Medical supplier.
- a qualified and competent healthcare professional who has undergone appropriate certified training by either sunrise medical or their approved supplier.

THE JAY J3 BACK INTENDED USE

The JAY J3 Back is intended to provide a back support for a wide variety of wheelchair users. It is designed to provide simple, comfortable and effective support to help maximize function and increase sitting tolerance. In addition, it is lightweight, durable and easy to use.

The back can be installed onto a wide range of wheelchairs.

Maximum user weight:

300 lbs. (136 kg) – compact (and old standard hardware)

500 lbs. (227 kg) – heavy duty compact hardware

The intended lifetime of the back rest is 4 years.

⚠ WARNING

Installing a back support on a wheelchair may affect the center of gravity of the wheelchair and may cause the wheelchair to tip backwards potentially resulting in injury.

Always assess for the potential need for anti-tippers or amputee axle adapter brackets to be added to the wheelchair to help increase stability.

⚠ WARNING

Do not use J3 Back to push or lift wheelchair. Improper use may cause the back to unexpectedly detach from the wheelchair.

⚠ WARNING

Do not use the J3 back handle to lift wheelchair. It is intended only for back removal.

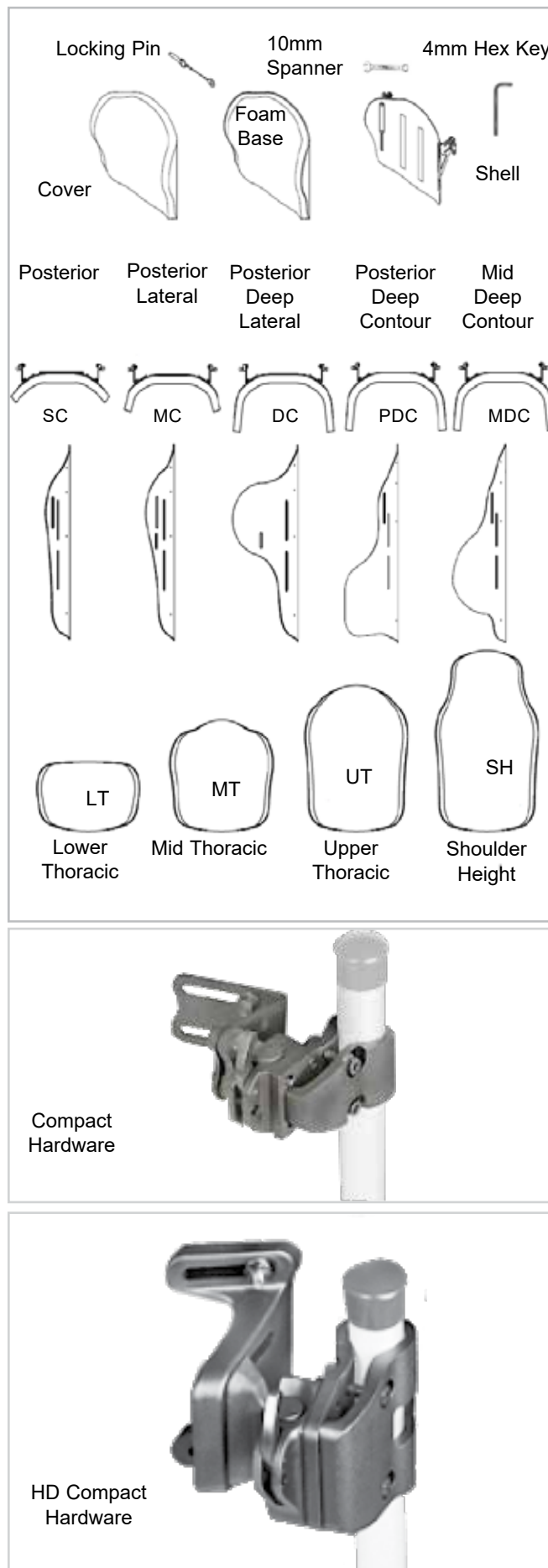
⚠ WARNING

Carelessness causes fire.

⚠ WARNING 

Please read this manual before usage.

J3 BACK



MAINTENANCE

Sunrise recommends that all fasteners be checked for wear, such as loose bolts or broken components every 6 months. Loose fasteners should be retightened according to the installation instructions. All fasteners should be tightened to torque specifications as stated in the hardware installation section. Contact your authorized Sunrise Medical supplier immediately to replace any broken components. Do not continue to use the system after identifying loose or broken components.

EASY CLEANING

NOTE: When disassembling the back for cleaning, note the position of the Velcro® Spine Align Components for correct reassembly.

To clean back cover

Remove cover by detaching Velcro. Detach cover from back shell. Locate zipper on bottom of the cover and unzip. Remove foam and turn cover inside out. Zip cover closed to avoid snagging. Machine wash in warm water (60°C). Drip or tumble dry on low heat.

NOTE:

- Do not dry clean covers or use industrial washers and dryers to clean cover.
- Do not steam autoclave.
- Do not bleach.






Reinsert the foam into the cover. Please note, the base has two layers of foam. When reinserting the foam, ensure that the thinner "light grey" foam is facing the shell. Once the foam is secured inside the cover, zip cover closed.

To clean back shell

Shell may be wiped clean with soap and water. No other maintenance should be required.

To clean positioning components

Positioning components can be wiped clean with soap and water. Do not immerse positioning components underwater. If you have any additional questions regarding cleaning procedures, please contact your authorized Sunrise Medical dealer.

Laundry Care Symbols	
	Machine wash in warm water (60° C)
	Only non-chlorine bleach, when needed
	Drip dry
	Do not iron
	Do not dry clean

DETERMINING COMPATIBILITY

Wheelchair Types

The J3 Back is designed to be compatible with most wheelchairs with the following exceptions: Wheelchairs that are angularly adjustable, recline or tilt and result in a back angle greater than 60 degrees from the vertical should not be used.

⚠ WARNING

Use with these types of wheelchairs may cause the back to accidentally disconnect from the wheelchair resulting in a fall and the potential for serious injury.

Wheelchair Dimensions

The J3 Back is designed to replace the wheelchair’s sling upholstery. Prior to installation determine if the wheelchair used has compatible back canes, by measuring the width between your back canes as seen in Figure 1. Then using that measurement, check Table 1 to determine if the back will fit your chair.

Next check that the back canes are a compatible diameter. The J3 back hardware can be mounted on wheelchair back canes ranging from 3/4" (1.9 cm) to 1 1/8" (2.85 cm). Measure your back cane diameter (Fig. 2) and refer to Table 2 to ensure your back canes are compatible. If you cannot determine that the back canes are compatible please contact your authorised Sunrise Medical provider or Sunrise Medical customer service.

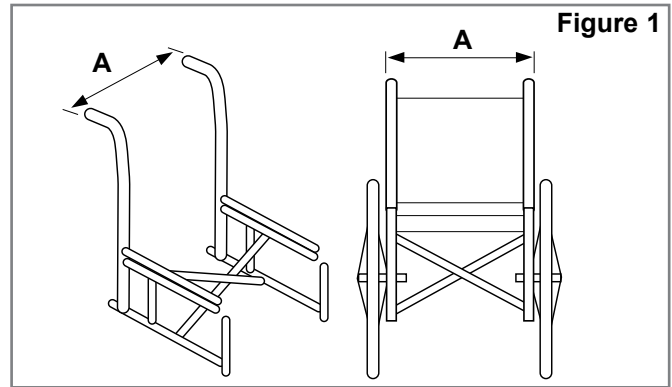


Figure 1

Table 1

J3 Back Width* (all contours)	Width of back canes from outside to outside of the tubes, (Fig.1-A)			
	Minimum Width		Maximum Width	
	inch	cm	inch	cm
12" 31cm	11.7	29.7	14.3	36.3
14" 36cm	13.7	34.9	16.3	41.3
16" 41cm	15.7	40.0	18.3	46.4
18" 46cm	17.7	45.1	20.3	51.6
20" 51cm	19.7	50.1	22.3	56.5

* Back Width is identified in your back’s part number. Example: J3SCMTS36 is a 36 cm back.

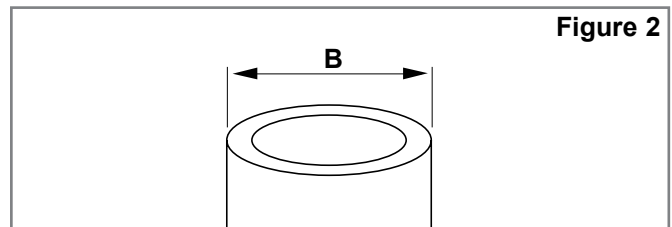


Figure 2

Table 2

J3 Back Width (all contours)	Cane diameter (Fig. 2-B)			
	Minimum width		Maximum width	
	inch	cm	inch	cm
14-20" (36-51cm)	3/4	1.9	1-1/8	2.85

INSTALLING THE MOUNTING HARDWARE

Please read the following instructions before beginning installation. To install the J3 Back, it is best to begin without a user in the wheelchair. Once the back has been installed and minor adjustments are needed the user can be seated back in the wheelchair.

Tools required (included with J3 Back)*

- 4mm hex key
- 10mm box end wrench



NOTE: Wherever torque settings are specified, it is strongly recommended that a torque meter (not included with JAY J3 Back) is used to verify correct torque specification is achieved.

Hardware Installation Instructions (Figs. 3, 4, 5)

Valid for all hardware types (compact, heavy duty compact and old standard).

1. Remove the existing wheelchair back according to the wheelchair manufacturer's instructions.
2. Visually determine the desired location of the receivers on the wheelchair's back canes. The mounting hardware should be at approximately equal heights on each back post (Fig. 3) and parallel to the seat frame (Fig. 4). Higher locations on the back canes are generally better.
3. Attach the hardware receivers. (Fig. 5)
 - a. Loosen the clamp screws (A) with the enclosed 4mm hex key. **NOTE**– For large tube diameters, clamp screws may have to be removed completely.
 - b. Attach and align receiver to the wheelchair back canes (B).
 - c. Hand tighten clamp screws (A). **NOTE**– Receivers may require additional lateral adjustment to ensure proper alignment.

Attaching and Aligning the J3 Back Shell (Fig. 6)

- a. Loosen bracket nuts (C) and mounting pin nuts (F) using 10mm box-end wrench until hardware can move easily in all directions.
- b. Attach the J3 Back to the hardware receivers by inserting left and right mounting pins (D) in the left and right receivers (E).
- c. Locate back to the approximate location, relative to both chair and user.
- d. Hand tighten nuts on the inside of the mounting pin (F). **NOTE**– Back depth and angle may require additional adjustment to ensure proper fit to the user.
- e. Hand tighten bracket nuts (C). **NOTE**– Back height may require additional adjustment to ensure proper fit to the user.
- f. Test back release by pressing the release levers forward and removing the back off the chair. (See Removal and Replacement section for further details.) Proper alignment of the mounting hardware and back is achieved when smooth attachment and release can be easily done.
- g. If proper alignment has not been achieved, adjust the components until properly aligned.
- h. Once properly aligned, tighten the hardware receiver clamp screws. The recommended torque specification is 75 - 85 in-lbs (8.5 - 9.3 Nm).

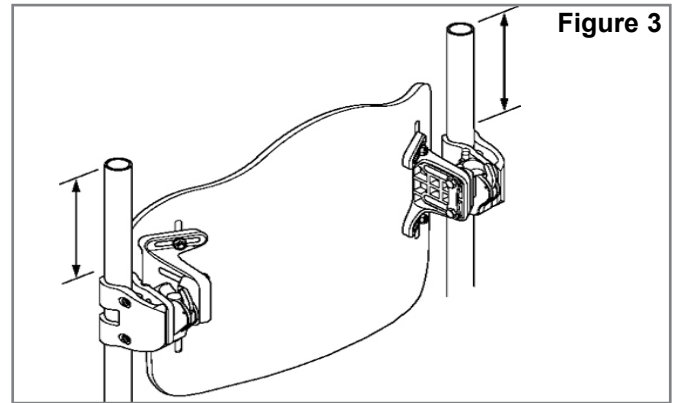


Figure 3

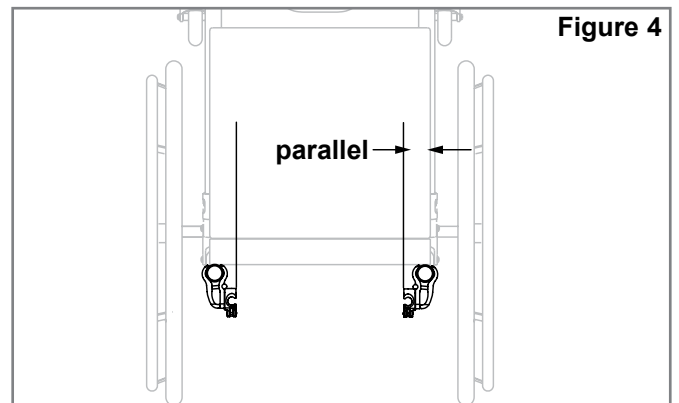


Figure 4

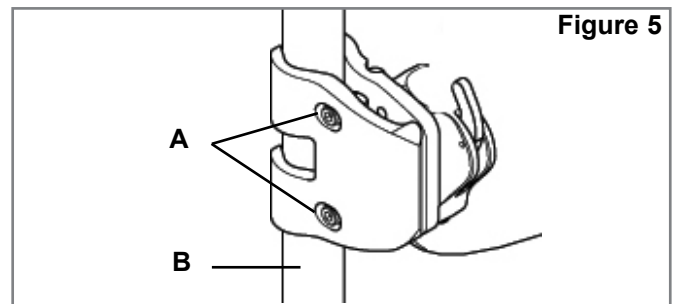


Figure 5

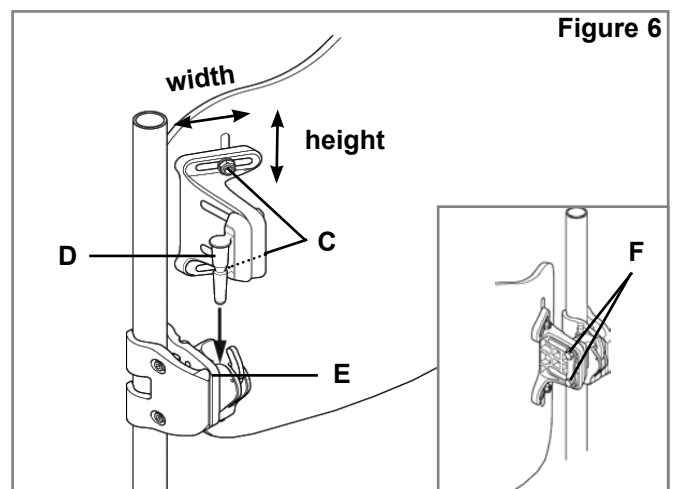


Figure 6

ADJUSTING J3 HEIGHT, DEPTH AND ANGLE

The first phase of the J3 Back hardware installation is complete. It is now the appropriate time to have the user seated back in the chair for personalizing the J3 Back. Do not have the user apply full pressure on the back as it is not fully tightened to the full torque requirements.

1. Height Adjustment (Fig. 10)

- With the user in the chair, identify the desired height of the back. Once identified, have the user remove pressure from the J3 Back by leaning or sliding partially forward if possible to allow the adjustment to take place.
- Loosen the bracket nuts (A) and adjust the height of the back shell to required position.
- Securely tighten the bracket nuts (A). The recommended torque specification is 75-85 in-lbs. (8.5 - 9.3 Nm).

NOTE: After height adjustment is complete, check that the width was not inadvertently changed.

2. Depth/Angle Adjustment (Figs. 11, 12 & 13)

Please note there are two types of hardware that can be ordered— standard hardware (Fig. 11) or the longer, adjustable hardware (Fig. 12). Both sets of hardware are adjusted the same, but the standard hardware allows for 2 inches (5 cm) of depth adjustment (Fig. 11) while the extended hardware (adjustable hardware) allows for a total of 3.4 inches (8,65 cm) of depth adjustability (Fig. 12).

- To adjust J3 Back depth and angle loosen left and right nuts (Fig. 13-B) on bracket slots.
- Adjust depth and/or angle and securely tighten. The recommended torque specification is 100-110 in-lbs. (11.3 - 12.4 Nm). Ensure that none of the depth adjustment nuts (Fig 13-B) will slip or rotate.
- If additional depth is needed, remove back from receivers. Remove screws (Figs. 11-D, 12-D) from receiver using the enclosed 4mm hex key, and reposition to desired depth. Note: Prior to replacing the screws the application of a suitable medium strength threadlocker e.g. loctite 243 is strongly recommended to the receiver and screw threads, if the back is to be repositioned. Tighten screws to 25-35 in-lbs. (2.8 - 4 Nm).

⚠ WARNING

Ensure that all hardware has been properly tightened once all adjustments have been completed and the J3 Back is ready for use.

⚠ WARNING

To ensure optimal security of the back fitment, the locking pin must be inserted before the backrest can be used, (Fig. 14 & 15).

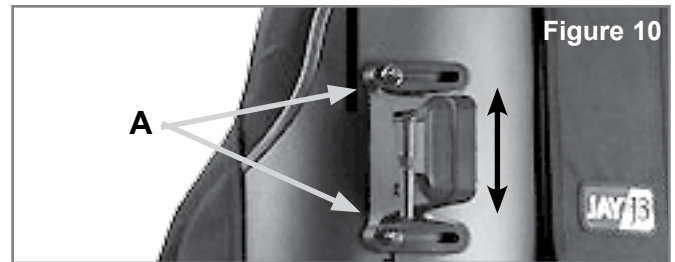
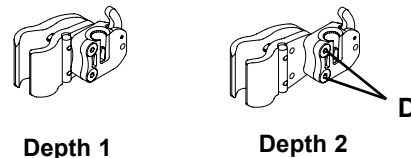


Figure 10

Compact Hardware– 2 depth settings Figure 11



HD Compact Hardware Figure 12

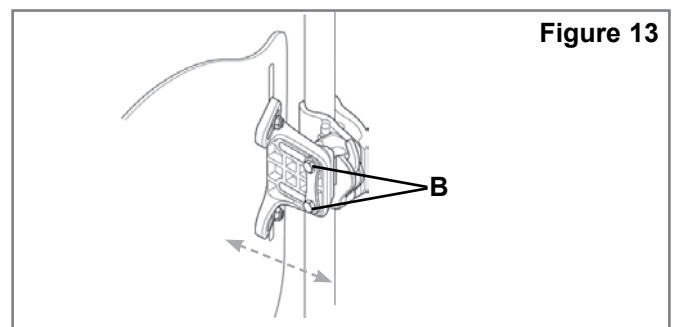
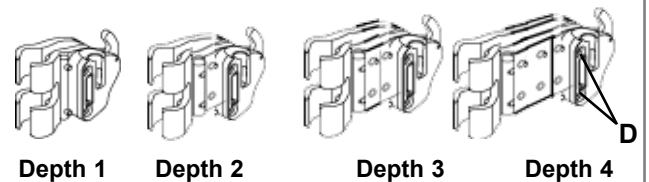


Figure 13

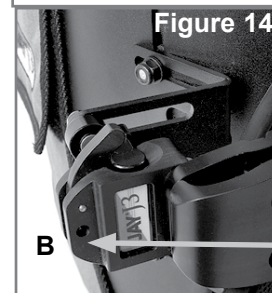


Figure 14

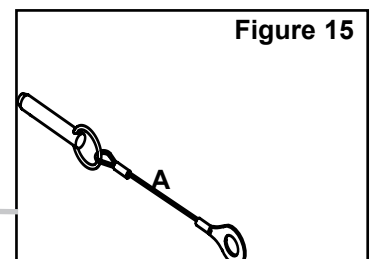


Figure 15

VANITY FLAP INSTALLATION

1. Lift upper flap of J3 Back Cover (Fig. 17)
2. Match hook to loop and attach Vanity Flap to the back of the J3 Back Cover (Fig. 17). Reposition upper flap of cover to sandwich the Vanity Flap between the flaps the upper and lower flaps (Fig. 18).
3. Remove Seat Cushion from wheelchair and sandwich "tail" of Vanity Flap between wheelchair support surface and Seat Cushion (Fig 20).
4. Adjust Vanity Flap as necessary by moving the tail in or out from under the Seat Cushion. If necessary the upper part of the vanity flap can be moved up or down on the Seat Back also.
5. Insert Hook & Loop Wrap ties through the appropriate grommets on the Vanity Flap, then wrap around the wheelchair frame and insert the leading end through the slot end of the Wrap (Fig. 21). Snug up and close outside gaps in Vanity Flap (Fig. 22).

Optional Storage Bag

NOTE: There is an optional storage bag available to attach onto the vanity flap, (Fig.16).



Figure 17



Figure 18



Figure 19

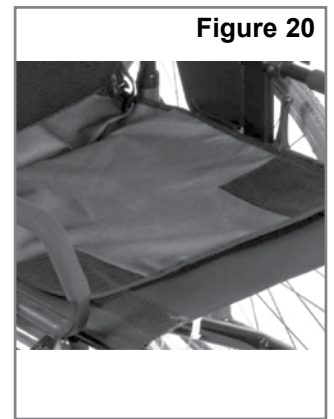


Figure 20



Figure 21



Figure 22



Figure 16



Figure 23

Finished J3 Vanity Flap Installation

SPINE ALIGN POSITIONING COMPONENTS

Spine Align Positioning Components are designed to provide intimately shaped support within an “off-the-shelf” back. (Depending on your market, Spine Align components may be included with your back.) To install Spine Align please read the following directions.

1. Spine Align Positioning Component Installation


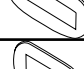
- a. Have the user remove pressure from the J3 Back by leaning or sliding partially forward if possible.
- b. Release Velcro strip on the top cover flap (Fig. 24) and lift the cover forward to reveal the inside of the J3 Back.
- c. Place the positioning component(s) on the Velcro inside of the shell (Fig. 25) and reattach the top cover flap. Pull down making certain that the top seam is aligned with the top of the shell. If seam does not line up, the bottom of the cover may need to be loosened (Fig. 26).
- d. Have the user test the current Spine Align setup for comfort and support and repeat steps a-c until adjustment is complete.
- e. Multiple configurations and combinations of Spine Align components can be used. If additional Spine Align shapes or sizes are required, please contact your dealer or Sunrise Medical.

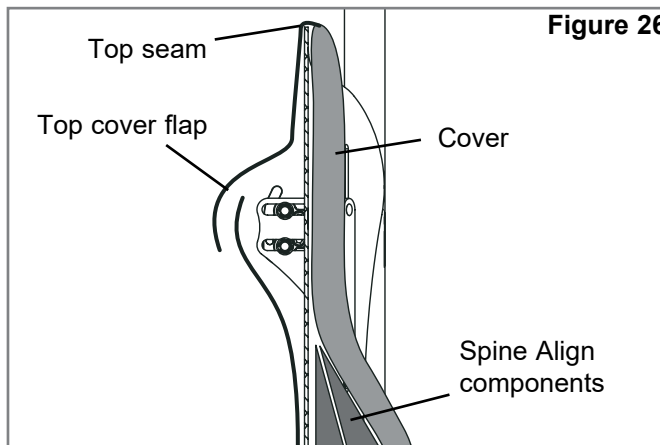
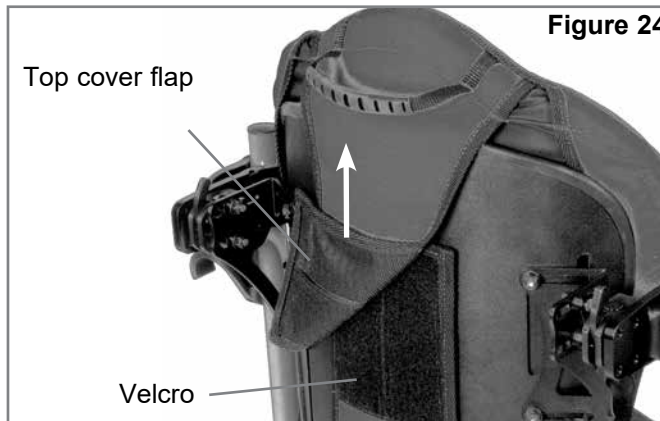
NOTE: If you require further information on the J3 Spine Align system, please review our animation at www.sunrisemedical.com.

Installation of the J3 back is complete.

J3 ACCESSORIES

If you have ordered J3 accessories such as laterals, headrests or harnesses please consult the installation instructions related to those items.

Positioning Components	
Large Lumbar	
Small Lumbar	
Wedge	
Curved Shim	
Flat Shim	
Posterior/Lateral Pelvic	
Lateral Shim	
Large Bean Bag	
Small Bean Bag	



BACK TRANSIT SAFETY

The J3 back has been dynamically tested for use in a motor vehicle. Please follow all installation, use and maintenance instructions within this manual as well as the transit instructions listed below.

WARNING

FAILURE TO HEED THESE WARNINGS COULD CAUSE SEVERE INJURY TO THE WHEELCHAIR RIDER OR OTHERS.

INSTRUCTIONS

1. If possible and feasible, the rider should transfer to the Original Equipment Manufacturer vehicle seat and use the vehicle restraint.
2. The distance between the top of the user's shoulder and the top of the back should not exceed 6.5" (16.5 cm).
3. The wheelchair must be labeled as appropriate for use as a seat in a motor vehicle, dynamically tested to the performance requirements of ISO Standard 7176-19 and installed, used and maintained according to the manufacturer's instructions.
4. If the original wheelchair seat was replaced, the new seat must be approved for wheelchair transit, installed and used as indicated in the manufacturer's instructions.
5. The Wheelchair Tiedown and Occupant Restraint System (WTORS) should be compatible with the specific wheelchair, used as indicated in the manufacturer's instructions and should comply with the performance requirements of ISO Standard 10542.
6. The wheelchair must be forward facing during transport.
7. In order to reduce the potential of injury to vehicle occupants wheelchair-mounted accessories such as trays and respiratory equipment should be removed and secured separately.
8. This product is intended for use by adults ranging in weight from 79 lbs (35 kg) to 300 lbs (136 kg).
9. Postural support devices such as pelvic positioning belts, anterior trunk supports or postural supports such as lateral trunk supports should not be relied on for occupant restraint in a moving vehicle unless they are labeled as conforming to ISO Standard 16840-4.
10. Alterations or substitutions should not be made to the structure, parts or components, without consulting the manufacturer.

REMOVAL AND REPLACEMENT

Removal

Following installation and adjustment, the back can be easily removed from the wheelchair if necessary. To remove, push each release lever forward to unlock (Fig. 27). Once both levers are in the forward position, simply lift the back straight up (Fig. 28) using the handle located on the top of the back.

Proper reattachment after removal

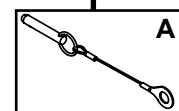
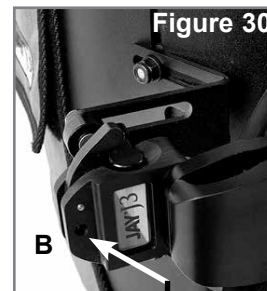
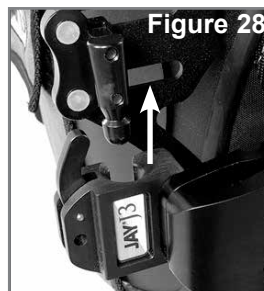
To reattach the back to the hardware receivers, simply line up the pins to the receivers and push into place (Fig. 29). If properly inserted the pins will “click” to a locked position.

⚠ WARNING

If you are uncertain if you have heard the locking “click”, pull up on the back using the handle to ensure that it has been securely locked.

Locking Pins (Fig. 30)

The J3 Back comes with two locking pins which, when secured, prevent the back from being released from the chair. To lock, insert the pins (A) into the mounting receivers (B). Simply remove the pins if the quick-release capability is desired.



CONTRAINDICATIONS:** WARNING**

Do not use or prescribe this backrest for anyone exceeding the stated Maximum User Weight.

RECYCLING / RE-USE:** WARNING**

- **Risk of Injury**
- **Always have an authorized Sunrise Medical dealer inspect the product for damage or wear prior to transferring it to another user. If any type of damage is found, DO NOT USE THIS PRODUCT.**
- **Failure to heed these warnings may lead to severe injury.**

This Product is suitable for re-use*:

- Have an authorized Sunrise Medical dealer inspect the shell, mounting hardware, foam and cover for damage or wear. If any damage is found, do not re-use.
- Clean and disinfect the shell, mounting hardware foam and cover in accordance with local government regulations. Refer to your local Infection Control Office for advice.
- After cleaning and disinfection, have a authorised Sunrise Medical dealer re-inspect the shell, hardware, foam and cover to insure that the cleaning/disinfection process did not cause any damage.

 WARNINGS:

- **Failure to follow the re-use directions can lead to Severe Injury of the User.**
- **When being re-used, this product should be adapted and fit to the new user by a authorized Sunrise Medical dealer or clinician.**

24 MONTH LIMITED WARRANTY**24 MONTH LIMITED WARRANTY**

Each JAY J3 Back is carefully inspected and tested to provide peak performance. Every JAY J3 Back is guaranteed to be free from defects in materials and workmanship for a period of 24 months from the date of purchase, provided normal use. Should a defect in materials or workmanship occur within 24 months from the original date of purchase, Sunrise Medical will, at its option, repair or replace it without charge. This warranty does not apply to punctures, tears or burns, nor to the back's removable cover.

Claims and repairs should be processed through the nearest authorized supplier. Except for express warranties made herein, all other warranties, including implied warranties of merchantability and warranties of fitness for a particular purpose are excluded. There are not warranties which extend beyond the description on the face hereof. Remedies for breach of express warranties herein are limited to repair or replacement of the goods. In no event shall damages for breach of any warranty include any consequential damages or exceed the cost of non-conforming goods sold.

Sunrise Medical empfiehlt, dass ein Arzt oder ein im Bereich Sitzen & positionieren erfahrener Therapeut konsultiert wird, um festzustellen, ob der J3 Rücken im Einzelfall geeignet ist.

⚠️ WARNUNG!

Rücken sollte ausschließlich montiert werden von:

- autorisierten Sunrise Medical Fachhändlern.
- qualifizierten und kompetenten Medizinprodukte Beratern, die an zertifizierten Schulungen durch Sunrise Medical oder dessen autorisierten Fachhändlern teilgenommen haben.

DIE BESTIMMUNGSGEMÄSSE VERWENDUNG DES JAY J3 RÜCKENS

Der JAY J3 Rücken wurde als Rückenstütze für die vielen verschiedenen Anforderungen von Rollstuhlbenutzern entwickelt. Er ist als eine einfache, komfortable und effektive Stütze für maximale Funktion und erhöhte Sitztoleranz ausgelegt. Dazu ist er leicht, langlebig und einfach zu bedienen.

Der Rücken kann an viele verschiedene Rollstühle montiert werden.

Maximales Nutzergewicht des Fahrers:

136 kg – kompakt (und alte Standard-Befestigung/Halterung)

227 kg – Neue kompakte 4-Punkt Halterung mit höherer Gewichtstoleranz

Die vorgesehene Lebensdauer des Rückens beträgt 4 Jahre.

⚠️ WARNUNG

Durch die Montage einer Rückenstütze an einem Rollstuhl kann sich der Schwerpunkt des Rollstuhls verlagern. Das kann dazu führen, dass der Rollstuhl nach hinten kippt, was Verletzungen nach ziehen kann.

Beurteilen Sie in jedem Fall, ob Sicherheitsräder oder Radstandsverlängerungen am Rollstuhl angebracht werden müssen, um die Stabilität zu erhöhen.

⚠️ WARNUNG

Schieben oder heben Sie den Rollstuhl nicht am J3 Rücken. Der unsachgemäße Gebrauch kann dazu führen, dass sich der Rücken unerwartet vom Rollstuhl löst.

⚠️ WARNUNG

Benutzen Sie niemals den Gurt zum Schieben des Rollstuhls. Er ist nur zum Abnehmen des Rückens bestimmt.

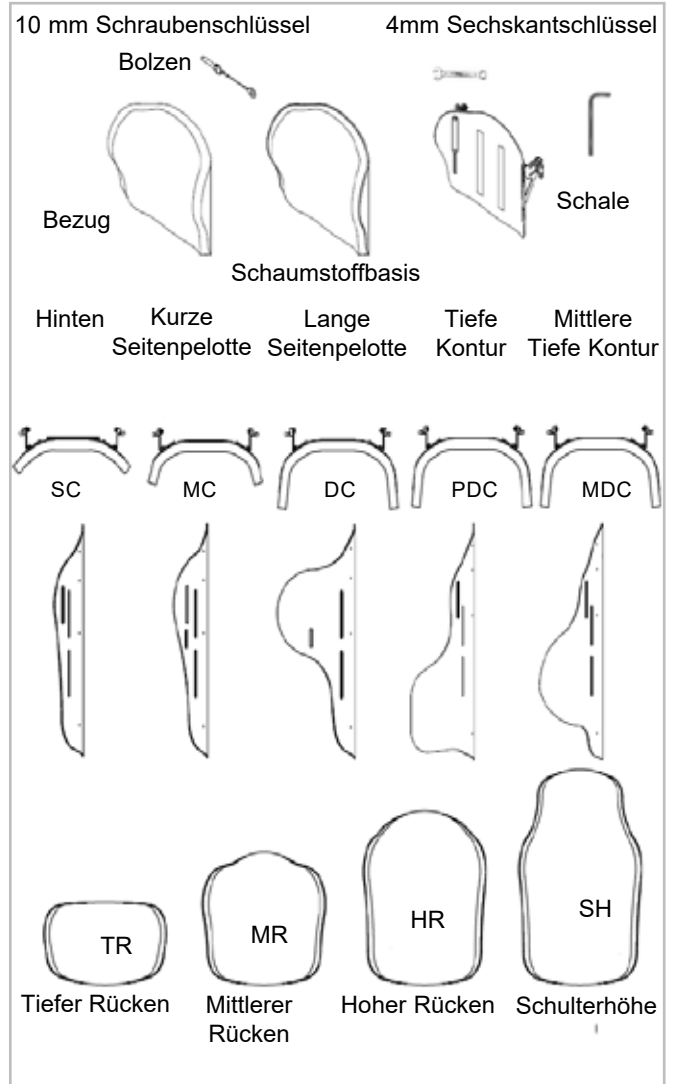
⚠️ WARNUNG

Unachtsamkeit kann Brände verursachen.

⚠️ WARNUNG

Bitte lesen Sie vor Gebrauch die Bedienungsanleitung.

J3 RÜCKEN



WARTUNG

Sunrise Medical empfiehlt alle Verbindungselemente alle 6 Monate auf Abnutzungserscheinungen, wie z.B. lose Schrauben oder defekte Bauteile, zu überprüfen. Lose Verbindungselemente sollten gemäß der Montageanleitung wieder festgezogen werden. Sämtliche Halterungen müssen gemäß den entsprechenden Angaben mit dem richtigen Drehmoment angezogen werden. Wenden Sie sich zum Auswechseln von defekten Bauteilen sofort an Ihren autorisierten Sunrise Medical Händler. Wenn lose oder defekte Bauteile festgestellt wurden, das System nicht weiter verwenden.

EINFACHE REINIGUNG

HINWEIS:

Wenn Sie den Rücken zur Reinigung abnehmen, merken Sie sich die Position der Positionierungskomponenten, um die Rückenstütze später wieder richtig anzubringen.

Reinigung des Rückenbezugs

Entfernen Sie den Bezug, indem Sie den Klettverschluss öffnen und ziehen Sie ihn von der Rückenschale. Öffnen Sie den Reißverschluss unten am Bezug. Nehmen Sie den Schaumstoff heraus und drehen Sie den Bezug auf links. Ziehen Sie den Reißverschluss zu, damit nichts hängen bleiben kann. Normalwaschgang (60° C) Nass aufhängen oder auf niedriger Stufe im Trockner trocknen.

HINWEIS:

- Die Bezüge dürfen nicht chemisch gereinigt oder in einer gewerblichen Waschmaschine gewaschen oder getrocknet werden.
- Nicht im Autoklav reinigen.
- Nicht bleichen.






Setzen Sie den Schaumstoff wieder in den Bezug ein. Bitte beachten Sie: die Unterlage besteht aus zwei Schaumstoffschichten. Achten Sie beim Einsetzen des Schaumstoffs darauf, dass der dünnere, "hellgraue" Schaumstoff zur Schale zeigt. Wenn sich der Schaumstoff wieder im Bezug befindet, schließen Sie den Reißverschluss.

Reinigung der Rückenschale

Die Schale kann mit Wasser und Seife gereinigt werden. Es ist sonst keine Wartung erforderlich.

Reinigung der Haltevorrichtungen

Haltevorrichtungen können mit Wasser und Seife gereinigt werden. Tauchen Sie die Haltevorrichtungen nicht ins Wasser. Falls Sie weitere Fragen zur Reinigung haben, wenden Sie sich bitte an Ihren Sunrise Medical Fachhändler.

Reinigungssymbole	
	Normalwaschgang (60° C)
	Nur chlorfreie Bleichmittel, bei Bedarf
	Nass aufhängen
	Nicht bügeln
	Nicht für den Trockner geeignet

BESTIMMEN DER KOMPATIBILITÄT

Rollstuhltypen

Der J3 Rücken ist so ausgelegt, dass er mit den meisten Arten von Rollstühlen kompatibel ist mit folgenden Ausnahmen:

Für Rollstühle, bei denen der Rückenwinkel und die Sitzneigung so verstellt werden kann, dass der Rückenwinkel über 60 Grad zur Senkrechten beträgt, sollte dieser nicht verwendet werden.

⚠️ WARNUNG

Bei Verwendung mit diesen Arten von Rollstühlen kann sich der Rücken unabsichtlich vom Rollstuhl lösen, was zu Stürzen und unter Umständen zu schweren Verletzungen führen kann.

Maße des Rollstuhls

Der J3 Rücken ist so ausgelegt, dass er die Rückenbespannung des Rollstuhls ersetzt. Versichern Sie sich vor der Installation des Rückens, ob der Rollstuhl über verstellbare Schiebegriffe verfügt. Messen Sie dazu die Breite zwischen Ihren Rückenrohren, wie in Fig. 1 gezeigt. Überprüfen Sie dann anhand Ihrer Maße, ob der Rücken auf Ihren Stuhl passt.

Als nächstes überprüfen Sie, dass der Durchmesser der Rückenrohre kompatibel ist. Die Halterungen des J3 Rückens können an Rückenrohre mit einem Durchmesser von 3/4" (1,9 cm) bis 1 1/8" (2,85 cm) montiert werden. Messen Sie den Durchmesser Ihrer Rohre (Fig. 2) und überprüfen Sie in Tabelle 2, ob sie für der neuen Rücken geeignet sind.

Wenn Sie nicht feststellen können, ob die Rückenrohre kompatibel sind, wenden Sie sich an Ihren autorisierten Sunrise Medical Händler oder den Kundenservice von Sunrise Medical.

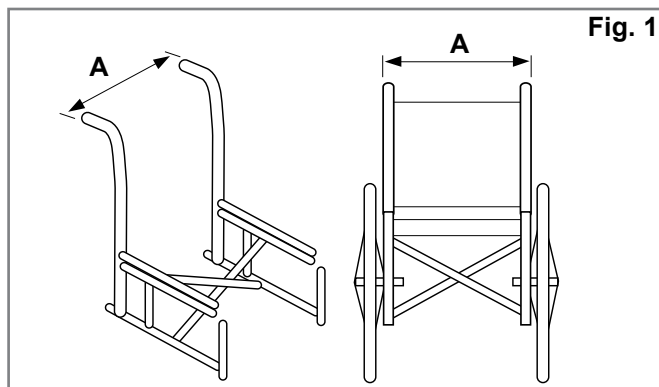


Tabelle 1

J3 Rückenbreite* (alle Konturen)	Breite der Rückenrohre von Außenseite zu Außenseite der Rohre (Fig. 1-A)			
	Minimale Breite		Maximale Breite	
	Zoll	cm	Zoll	cm
12" 31 cm	11,7	29,7	14,3	36,3
14" 36 cm	13,7	34,9	16,3	41,3
16" 41 cm	15,7	40,0	18,3	46,4
18" 46 cm	17,7	45,1	20,3	51,6
20" 51 cm	19,7	50,1	22,3	56,5

* Die Breite des Rückens wird durch die Teilenummer angegeben.

Beispiel: J3SCMTS36 ist ein 36 cm breiter Rücken.

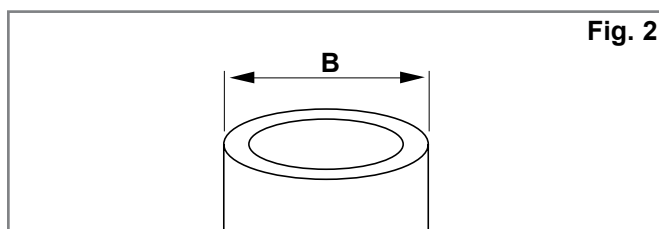


Tabelle 2

J3 Rückenbreite (alle Konturen)	Rückenrohrdurchmesser (Fig. 2-B)			
	Mindestbreite		Maximale Breite	
	Zoll	cm	Zoll	cm
14-20" (36-51cm)	3/4	1,9	1-1/8	2,85

ANBRINGEN DER HALTERUNGEN

Bitte lesen Sie folgende Anweisungen gründlich durch, bevor Sie mit dem Anbau beginnen.

Während des Einbaus des J3 Rückens sollte sich niemand im Rollstuhl befinden. Nachdem der Rücken angebracht ist, kann der Nutzer wieder im Rollstuhl Platz nehmen, um kleinere Anpassungen vornehmen zu können.

Benötigtes Werkzeug (liegt dem J3 Rücken bei)*

- 4 mm Sechskantschlüssel



- 10 mm Ringschlüssel



HINWEIS: Wenn Drehmomente angegeben werden, empfehlen wir, ein Drehmomentprüfgerät zu verwenden (wird nicht mit dem JAY J3 Rücken mitgeliefert), damit das richtige Drehmoment erzielt wird.

Anbringen der Halterungen (Fig. 3, 4, 5)

Gilt für alle Arten von Befestigungen/Halterungen (kompakt, Neue kompakte 4-Punkt Halterung mit höherer Gewichtstoleranz und Standard alt).

1. Entfernen Sie die vorhandenen Rücken gemäß den Herstellerangaben.
2. Legen Sie die Position der Halterungen für den Rücken an den Rückenrohren fest. Sie sollten sich an beiden Seiten auf gleicher Höhe befinden (Fig. 3) und parallel zum Sitzrahmen (Fig. 4). Eine Position weiter oben an den Rückenrohren ist in der Regel vorteilhafter.
3. Bringen Sie die Halterungen an. (Fig. 5)
 - a. Lösen Sie die Klemmschrauben (A) mit dem beiliegenden Sechskantschlüssel. HINWEIS– Für Rohre mit größerem Durchmesser müssen die Klemmschrauben möglicherweise komplett entfernt werden.
 - b. Bringen Sie die Halterungen an den Rückenrohren an (B) und richten Sie diese aus.
 - c. Ziehen Sie die Klemmschrauben (A) nach. HINWEIS– Die Halterungen müssen möglicherweise noch einmal seitlich ausgerichtet werden, um die richtige Position zu haben.

Anbringen und Ausrichten des J3 Rückens (Fig. 6)

- a. Lösen Sie die Muttern an den Klammern (C) und den Bolzen (F) mit dem 10mm Ringschlüssel, bis sich die Halterung leicht in alle Richtungen bewegen lässt.
- b. Führen Sie den J3 Rücken in die Halterungen, indem Sie die linken und rechten Bolzen (D) in die linken und rechten Halterungen schieben (E).
- c. Bringen Sie den Rücken in die richtige Position, passend für Benutzer und Stuhl.
- d. Ziehen Sie die Muttern an der Innenseite des Bolzens (F) fest.

HINWEIS – Möglicherweise muss der Rücken noch an die Bedürfnisse des Benutzers angepasst werden.
- e. Ziehen Sie die Klammermutter (C) fest. HINWEIS - Möglicherweise muss der Rücken noch an die Bedürfnisse des Benutzers angepasst werden.
- f. Überprüfen Sie die Rücken-Entriegelung, indem Sie die Entriegelungshebel nach vorn drücken und den Rücken vom Stuhl ziehen. (Weitere Informationen finden Sie im Abschnitt Entfernen und Austausch.) Die Halterungen sind richtig positioniert, wenn sich der Rücken leicht einhängen und aushängen lässt.

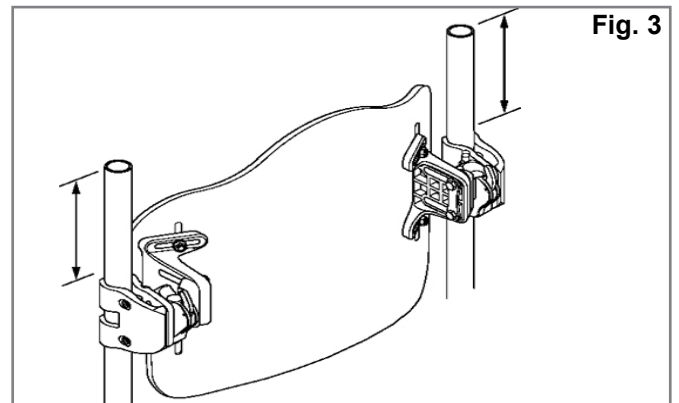


Fig. 3

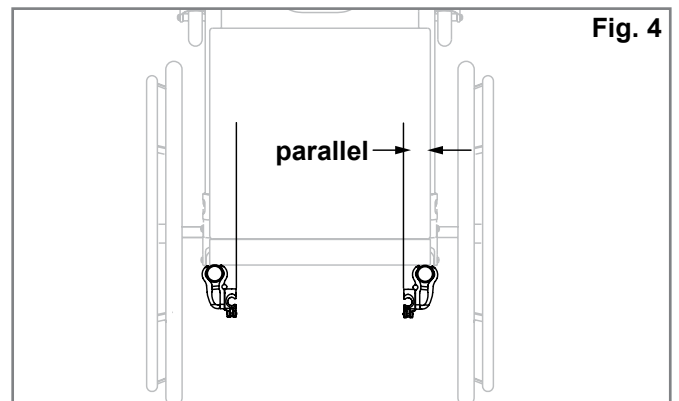


Fig. 4

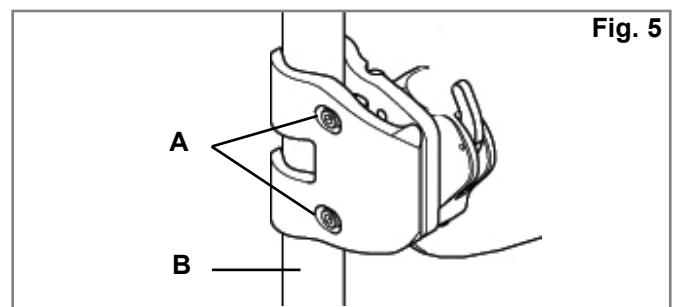


Fig. 5

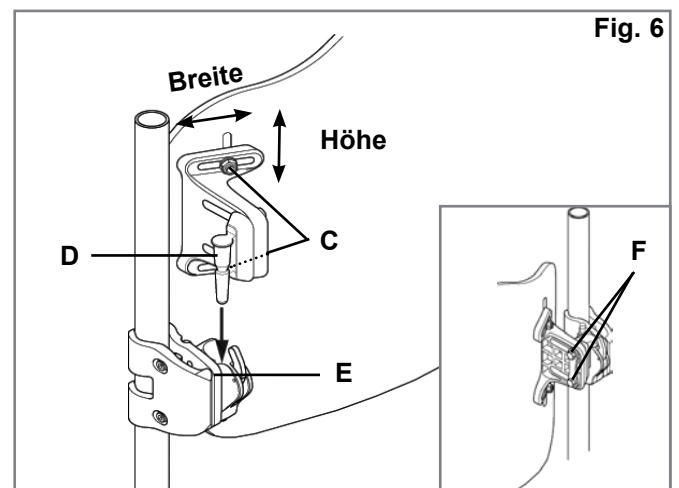


Fig. 6

- g. Wenn er sich nicht leicht einhängen lässt, bringen Sie die Teile an die richtige Position.
- h. Sobald die Halterungen richtig positioniert sind, ziehen Sie die Klemmschrauben der Halterungen fest. Das empfohlene Drehmoment ist 75-85 in-lbs (8,5 - 9,3 Nm).

HÖHE, TIEFE UND WINKEL DES J3 RÜCKENS EINSTELLEN

Der erste Teil der Montage der J3 Rücken-Halterungen ist nun beendet. Nun sollte der Benutzer wieder im Rollstuhl Platz nehmen, um den J3 Rücken auf seine Bedürfnisse einzustellen. Achten Sie darauf, dass sich der Benutzer nicht anlehnt, da der Rücken noch nicht richtig befestigt ist.

1. Höhereinstellung (Fig. 10)

- Bringen Sie den Rücken auf die gewünschte Höhe, während sich der Benutzer im Rollstuhl befindet. Der Benutzer sollte nun den Druck von dem J3 Rücken nehmen, indem er sich etwas nach vorn beugt, damit der Rücken eingestellt werden kann.
- Lösen Sie die Klammermuttern (A) und stellen Sie den Rücken auf die gewünschte Höhe ein.
- Ziehen Sie die Klammermuttern (A) fest an, Das empfohlene Drehmoment beträgt 75 - 85 in-lbs. (8,5 - 9,3 Nm).

HINWEIS: Überprüfen Sie nach der Höhereinstellung, ob die Breite nicht versehentlich verstellt wurde.

2. Tiefen-/Winklereinstellung (Fig. 11, 12 und 13)

Es sind zwei Arten von Halterungen erhältlich – die Standard Halterung (Fig. 11) oder die verlängerte, einstellbare Halterung (Fig. 12). Beide Halterungsarten werden auf dieselbe Weise angebracht. Doch die Standard Halterung bietet eine Tiefenanpassung von ca. 5 cm während die verlängerte Halterung (einstellbar) um insgesamt ca. 9 cm verstellt werden kann (Fig. 12).

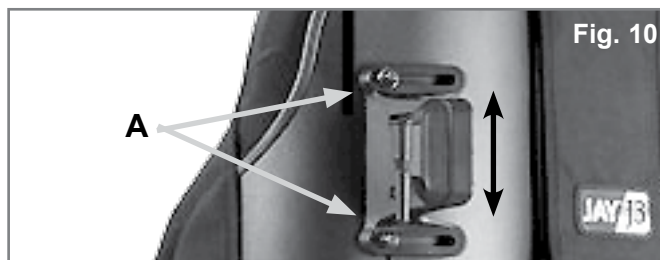
- Lösen Sie die linken und rechten Muttern (Fig. 13-B) an den Klammerschlitzten, um Tiefe und Winkel des J3 Rückens einzustellen.
- Ziehen Sie nach Einstellung der Tiefe und des Winkels die Muttern fest an. Das empfohlene Drehmoment beträgt 100 - 110 in-lbs. (11,3 - 12,4 Nm). Achten Sie darauf, dass keine der Tiefeneinstellmuttern (Fig. 13-B) verrutscht oder verdreht ist.
- Wenn zusätzliche Tiefe benötigt wird, entfernen Sie den Rücken von den Aufnahmen. Lösen Sie die Schrauben (Fig. 11-D, 12-D) mit Hilfe des beiliegenden 4mm Sechskantschlüssels von den Halterungen und bringen Sie sie auf die richtige Tiefe. Hinweis: Bevor Sie die Schrauben wieder einsetzen, empfehlen wir, eine geeignete mittel feste Schraubensicherung wie etwa Loctite 243 auf die Gewinde der Aufnahme und der Schrauben aufzubringen, wenn der Rücken wieder angebracht werden soll. Ziehen Sie die Schrauben mit 25-35 in-lbs. (2,8 - 4 Nm).

⚠️ WARNUNG

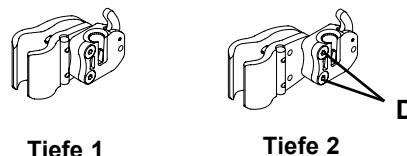
Achten Sie darauf, dass alle Halterungen nach Beendigung der Einstellung wieder fest angezogen sind und der J3 Rücken einsatzbereit ist.

⚠️ WARNUNG

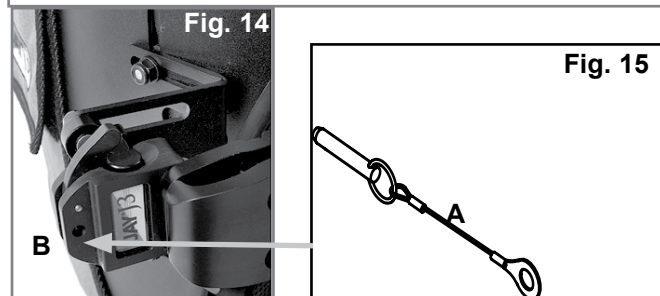
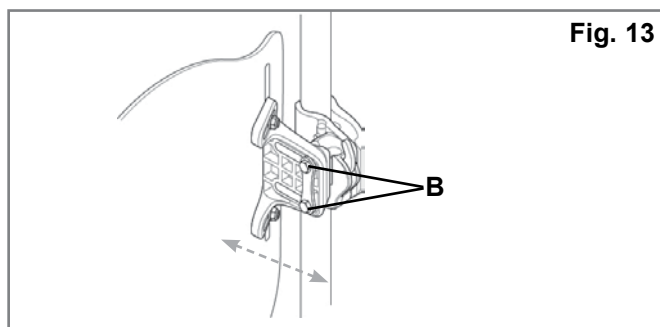
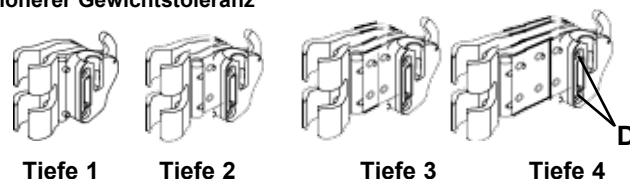
Um die optimale Sicherheit für den Rücken zu gewährleisten, muss der Sicherungsstift eingesetzt werden, bevor der Rücken benutzt werden kann, (Fig. 14 & 15).



Kompakte Befestigung/Halterung– 2 Tiefeneinstellungen **Fig. 11**



Neue kompakte 4-Punkt Halterung mit höherer Gewichtstoleranz **Fig. 12**

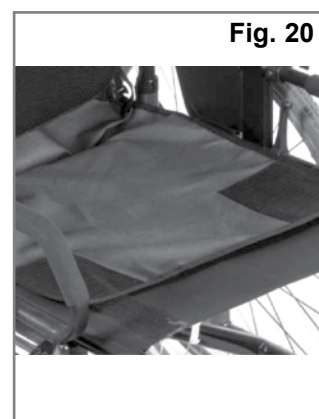


ANBRINGEN DER SCHUTZABDECKUNG

1. Die obere Lasche des J3 Rückenbezugs anheben (Fig. 17)
2. Befestigen Sie die Schutzabdeckung mit dem Klettverschluss am Bezug des J3 Rückens (Fig. 17). Bringen Sie die obere Lasche des Bezugs so an, dass sich die Schutzabdeckung zwischen der oberen und der unteren Lasche befindet (Fig. 18).
- s. Nehmen Sie das Sitzkissen vom Rollstuhl ab und legen Sie das Ende der Schutzabdeckung zwischen die Stützfläche des Rollstuhls und das Sitzkissen (Fig. 20).
4. Passen Sie die Schutzabdeckung nach Bedarf an, indem Sie das Ende weiter unter das Sitzkissen hineinschieben oder herausziehen. Falls erforderlich, kann auch der obere Teil der Schutzabdeckung am Rücken nach oben oder unten verschoben werden.
5. Führen Sie die Befestigungsgurte mit Klettverschluss durch die entsprechenden Durchführungen an der Schutzabdeckung, wickeln Sie diese um den Rollstuhlrahmen und führen Sie das vordere Ende durch die Schlitzöffnung im Gurt (Fig. 21). Ziehen Sie ihn fest und schließen Sie Lücken außen an der Schutzabdeckung (Fig. 22).

Optionale Rückenlehnentasche

HINWEIS: Es ist eine optionale Rückenlehnentasche zur Befestigung an der Schutzabdeckung erhältlich (Fig. 16).



Anbringen der J3 Schutzabdeckung abgeschlossen

POSITIONIERUNGSKEILEZURBESSEREN POSITIONIERUNG

Spine Align wurde entwickelt, um die Wirbelsäule auch in handelsüblichen Rückenschalen nach individuellen Bedürfnissen zu unterstützen. (Je nach Land ist Spine Align möglicherweise bereits im Lieferumfang enthalten.) Bitte lesen Sie folgende Anweisungen durch, bevor Sie mit der Montage von Spine Align beginnen.

1. Einbau der Positionierungскеile




- Bitte Sie den Benutzer, den Druck von dem J3 Rücken zu nehmen, indem er sich ein wenig nach vorn lehnt oder rutscht, falls möglich.
- Entfernen Sie den Klettstreifen an der oberen Öffnung des Bezugs (Fig. 24) und schieben Sie den Bezug nach vorn, bis das Innere des J3 Rückens sichtbar wird.
- Legen Sie die Halterungen auf die Klettfläche der Schale (Fig. 25) und schließen Sie den oberen Bezug wieder. Ziehen Sie den Bezug herunter, bis sich der obere Rand an der Oberkante der Schale befindet. Wenn dies nicht der Fall ist, muss das untere Ende des Bezugs möglicherweise etwas gelockert werden (Fig. 26).
- Bitte Sie den Benutzer, den Sitz des Spine Align zu überprüfen. Wiederholen Sie falls nötig die Schritte a-c, bis die Position komfortabel ist.
- Es können verschiedene Keil-Kombinationen und Anordnungen benutzt werden. Wenn Sie weitere Formen oder Größen von Spine Align benötigen, wenden Sie sich bitte an Ihren Fachhändler oder direkt an Sunrise Medical.

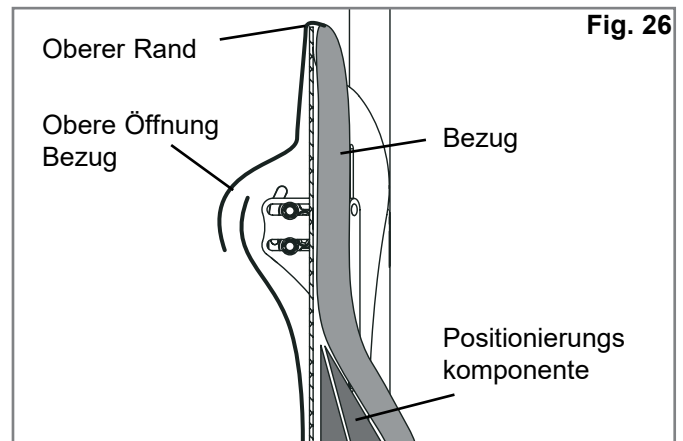
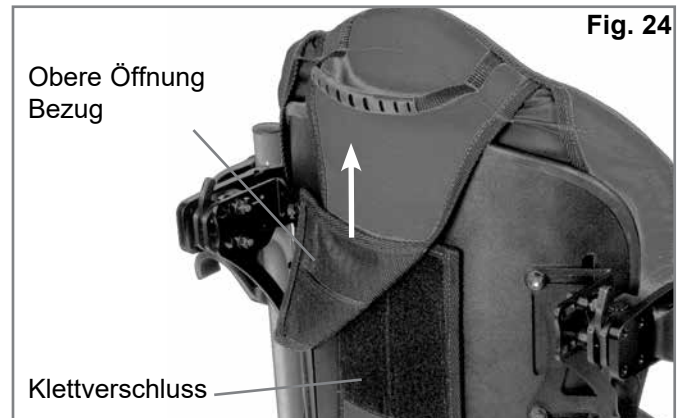
HINWEIS:

Wenn Sie weitere Informationen zum J3 Spine Align System möchten, sehen Sie sich auch unseren Film an unter www.sunrisemedical.com. Der J3 Rücken ist nun vollständig montiert.

J3 ZUBEHÖR

Wenn Sie J3 Zubehör, wie Seitenpelotten, Kopfstützen oder Gurte bestellt haben, bauen Sie diese Teile bitte gemäß den jeweiligen Anweisungen ein.

Positionierungskomponente	
Große Lendenstütze	
Kleine Lendenstütze	
Keil	
Gebogene Stütze	
Flache Stütze	
Hintere / Seitliche Beckenstütze	
Seitenstütze (Pelotte)	
Großes Sitzkissen	
Kleines Sitzkissen	



TRANSPORTSICHERHEIT

Der J3 Rücken wurde hinsichtlich eines Transports in Kraftfahrzeugen dynamisch getestet. Bitte befolgen Sie alle in diesem Handbuch beschriebenen Anweisungen bzgl. Einbau, Benutzung und Wartung sowie die unten aufgeführten Transporthinweise.



WARNUNG

EINE MISSACHTUNG DIESER ANWEISUNGEN KANN ZU ERNSTEN VERLETZUNGEN DES ROLLSTUHLNUTZERS ODER ANDERER PERSONEN FÜHREN.

ANWEISUNGEN

1. Wenn möglich sollte der Benutzer den Fahrzeugsitz sowie die Sicherheitsgurte des Fahrzeugs benutzen.
2. Der Abstand zwischen der Schulterhöhe des Benutzers und der Oberkante des Rückens sollte nicht mehr als 16,5 cm (6,5“) betragen.
3. Der Rollstuhl muss als geeigneter Sitz in einem Kraftfahrzeug gekennzeichnet sein und dynamisch gemäß den Anforderungen der ISO Norm 7176-19 getestet worden sein. Er muss entsprechend den Herstelleranweisungen installiert, benutzt und gewartet werden.
4. Wenn der Originalsitz ausgetauscht wurde, muss der neue Sitz den Transportvorschriften für Rollstühle entsprechen und gemäß den Herstelleranweisungen installiert und benutzt werden.
5. Der Rollstuhl muss für das Anbringen von Kraftknoten geeignet sein, gemäß den Herstelleranweisungen benutzt werden und den Leistungsanforderungen gemäß ISO 10542 entsprechen.
6. Beim Transport muss der Rollstuhl nach vorne gerichtet sein.
7. Um mögliche Verletzungen der Insassen des Fahrzeugs zu vermeiden, muss am Rollstuhl befestigte Zurüstung, z. B. Therapietisch oder Beatmungsgerät, entfernt und separat gesichert werden.
8. Dieses Produkt ist geeignet für Erwachsene mit einem Gewicht von ca. 35 kg bis 136 kg.
9. Haltevorrichtungen, wie Beckengurte, vordere oder seitliche Rumpfstütze sind ungeeignet, um den Rollstuhlbenutzer zu sichern, außer sie sind zertifiziert gemäß ISO 16840-4.
10. Rahmen, Teile oder Komponenten sollten nicht ohne Rückfragen beim Hersteller verändert oder ersetzt werden.

ENTFERNEN UND AUSTAUSCH

Entfernen

Nach Einbau und Einstellen kann der Rücken bei Bedarf leicht vom Rollstuhl abgenommen werden. Schieben Sie dazu die beiden Entriegelungshebel nach vorn (Fig. 27). Wenn beide Hebel nach vorne gestellt sind, heben Sie den Rücken mit Hilfe des Griffs oben am Rücken einfach gerade nach oben ab (Fig. 28).

Ordnungsgemäßes Anbringen nach dem Abnehmen

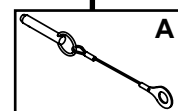
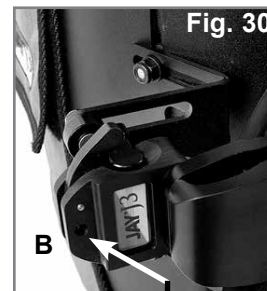
Um den Rücken wieder an den Halterungen zu befestigen, bringen Sie die Bolzen einfach an die richtige Position (Fig. 29). Und lassen Sie sie hörbar einrasten.

⚠️ WARNUNG

Wenn Sie sich nicht sicher sind, ob Sie den Einrastton gehört haben, ziehen Sie den Rücken am Griff nach oben, um zu überprüfen, ob er fest eingerastet ist.

Bolzen (Fig. 30)

Der J3 Rücken ist mit zwei Bolzen ausgerüstet, die in eingerastetem Zustand verhindern, dass sich der Rücken vom Stuhl löst. Lassen Sie die Bolzen (A) einrasten, indem Sie diese in die Halterungen (B) einführen. Entfernen Sie zum schnellen Ausbau des Rückens einfach diese Bolzen.



KONTRAINDIKATIONEN:**⚠️ WARNUNG**

Diesen Rücken nicht für Personen verwenden oder verschreiben, die das angegebene maximale Nutzergewicht überschreiten.

RECYCLING / WIEDERVERWENDUNG:**⚠️ WARNUNG**

- Verletzungsgefahr
- Das Produkt immer von einem autorisierten Sunrise Medical Händler auf Schäden oder Abnutzung überprüfen lassen, bevor es an einen anderen Benutzer übertragen wird. Werden dabei Schäden festgestellt, **DIESES PRODUKT NICHT BENUTZEN.**
- Die Nichtbeachtung dieser Warnungen kann zu schweren Verletzungen führen.

Dieses Produkt ist für die Wiederverwendung geeignet*:

- Lassen Sie Schale, Halterungen, Schaumstoff und Bezug auf Schäden oder Abnutzung überprüfen. Wenn dabei Schäden festgestellt werden, nicht wiederverwenden.
- Reinigen und desinfizieren Sie Schale, Halterungen, Schaumstoff und Bezug gemäß den gesetzlichen Vorschriften vor Ort. Erkundigen Sie sich dazu bei Ihrer zuständigen Infektionsbekämpfungsstelle.
- Lassen Sie nach der Reinigung und Desinfektion Schale, Halterungen, Schaumstoff und Bezug von einem autorisierten Sunrise Medical Fachhändler überprüfen, um sicherzustellen, dass durch die Reinigung/Desinfektion keine Schäden verursacht wurden.

⚠️ WARNUNGEN:

- Die Nichtbeachtung dieser Vorgaben bezüglich Wiederverwendung kann zu schweren Verletzungen beim Benutzer führen.
- Wenn dieses Produkt wiederverwendet wird, sollte es von einem autorisierten Sunrise Medical Fachhändler oder vom Klinikpersonal angepasst und eingebaut werden.

24 MONATE EINGESCHRÄNKTE GARANTIE**24 MONATE EINGESCHRÄNKTE GARANTIE**

Alle JAY J3 Rücken werden einer sorgfältigen Inspektion und Prüfung unterzogen, um eine sehr hohe Qualität zu gewährleisten. Wir gewährleisten für einen Zeitraum von 24 Monaten ab dem Kaufdatum für alle JAY J3 Rücken, dass sie bei normalem Gebrauch frei von Material- und Herstellungsfehlern sind. Sollte innerhalb von 24 Monaten ab dem Erstkaufdatum ein Material- oder Herstellungsfehler auftreten, wird dieser nach dem Ermessen von Sunrise Medical entweder repariert oder ersetzt. Diese Garantie gilt nicht für Einstiche, Risse oder Verbrennungen sowie den abnehmbaren Bezug des Rückens.

Garantieansprüche müssen dem zuständigen, autorisierten Fachhändler gemeldet werden, der auch die Reparatur in die Wege leitet. Außer den hier ausdrücklichen genannten Garantien sind alle anderen Gewährleistungen, einschließlich der Marktfähigkeit oder Gebrauchstauglichkeit, ausgeschlossen. Es gibt keine Garantien, die über das hier Aufgeführte hinausreichen. Der einzige Anspruch auf die ausdrücklich gegebenen Garantien gilt für die Reparatur oder den Ersatz der Ware. Die Garantie erstreckt sich auf keinen Fall auf Folgeschäden und der Garantieanspruch darf den Verkaufspreis der unter die Garantie fallenden Produkte auf keinen Fall übersteigen.

Sunrise Medical adviseert een arts of therapeut, met ervaring in zitten en positionering, te raadplegen om te bepalen of het gebruik van een J3 Rug geschikt is.

⚠️ WAARSCHUWING!

De rugleuning mag alleen worden gemonteerd door:

- een erkende Sunrise Medical leverancier.
- een gekwalificeerde en bevoegde professional in de gezondheidszorg die een toepasselijke training heeft doorlopen bij Sunrise Medical of een erkende leverancier.

WAT IS HET DOEL VAN DE JAY J3 RUGLEUNING

De JAY J3 Rugleuning is bedoeld om een ruggesteun te bieden voor een groot aantal verschillende rolstoelgebruikers. De leuning is ontwikkeld om eenvoudige, comfortabele en effectieve steun te bieden om de functie te optimaliseren en de zittolerantie te vergroten. Daarnaast is hij lichtgewicht, duurzaam en gebruiksvriendelijk.

De rugleuning kan op een grote verscheidenheid aan rolstoelen worden geplaatst.

Max. gebruikersgewicht:

300 lbs. (136 kg) – compact (en oude standaard hardware)

500 lbs. (227 kg) – compacte hardware voor intensief gebruik

De verwachte levensduur van de rugleuning is vier jaar.

⚠️ WAARSCHUWING

Het monteren van een rugleuning op de rolstoel kan het zwaartepunt van de rolstoel veranderen. Hierdoor bestaat de kans dat de rolstoel achterover kantelt, wat tot letsel kan leiden.

Controleer altijd of er voorzieningen getroffen moeten worden om te voorkomen dat de rolstoel kantelt, of dat er aangepaste beugels voor mensen met een amputatie gemonteerd moeten worden, om de stabiliteit van de rolstoel te vergroten.

⚠️ WAARSCHUWING

Gebruik de J3 Rugleuning niet om de rolstoel te duwen of op te tillen. Door onjuist gebruik kan de rugleuning onverwachts losraken van de rolstoel.

⚠️ WAARSCHUWING

Gebruik de J3 rug hendel niet om de rolstoel op te tillen. Deze hendel is uitsluitend bedoeld om de rugleuning te verwijderen.

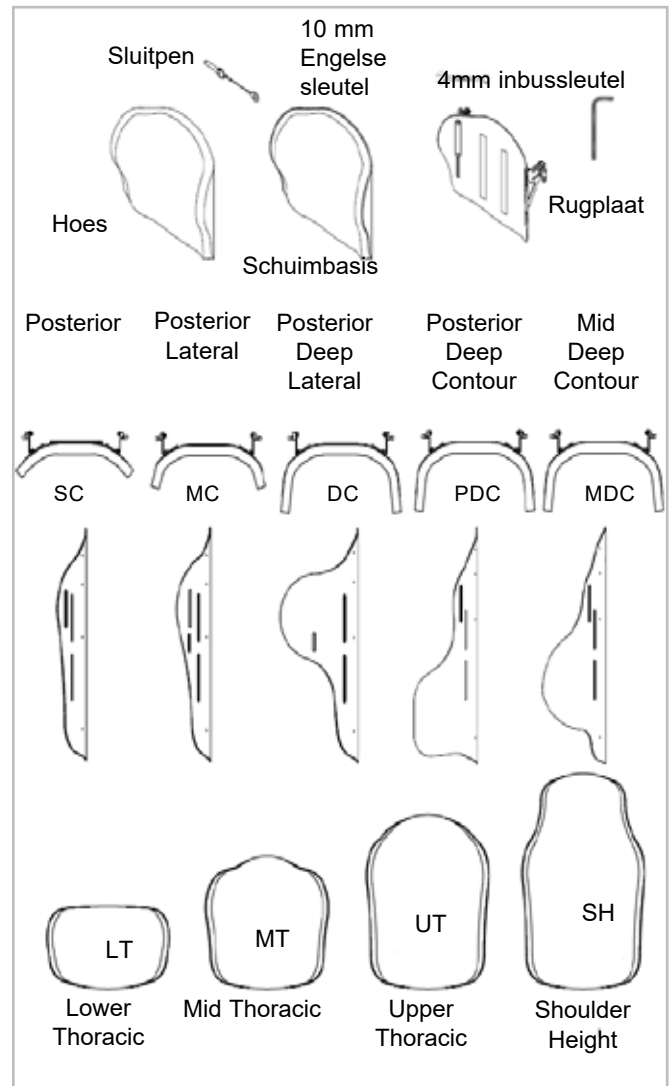
⚠️ WAARSCHUWING

Onvoorzichtigheid kan brand veroorzaken.

⚠️ WAARSCHUWING 

Lees voor het gebruik de handleiding.

J3 RUGLEUNING



ONDERHOUD

Sunrise adviseert alle bevestigingsmaterialen ieder half jaar te controleren op slijtage, zoals losse schroeven of gebroken onderdelen. Loszittende schroeven dienen aangedraaid te worden volgens de aanwijzingen voor montage. Alle bevestigingen moeten worden aangedraaid volgens de specificatie die in de montagehandleiding wordt gegeven. Neem direct contact op met uw geautoriseerde Sunrise Medical dealer om gebroken onderdelen te vervangen. Gebruik het systeem niet nadat u hebt vastgesteld dat er loszittende of gebroken onderdelen zijn.

GEMAKKELIJK TE REINIGEN

OPMERKING: Wanneer de rugsteun voor reiniging uit elkaar wordt gehaald, onthoudt de juiste positie van de Spine Aligne elementen zodat de rugsteun weer op de juiste wijze in elkaar gezet kan worden.

Om de rugleuning te reinigen

Maak de hoes los door het klittenband los te maken. Haal de hoes van de rugplaat. Maak de rits aan de onderzijde van de hoes los. Haal het schuim eruit en keer de hoes binnenstebuiten. Sluit de rits, om te voorkomen dat het klittenband zich aan andere materialen hecht. Machinewasbaar in warm water (60°C). Laten uitdruipen of op lage temperatuur in de droogtrommel stoppen.

OPMERKING:

- Reinig de hoes niet door middel van chemische reiniging of in industriële was- of droogmachines.
- Reinig de hoes niet door middel van stomen.
- Niet bleken.






Doe het schuim terug in de hoes. Let op dat de basis twee schuimlagen heeft. Let erop dat de dunnere 'licht grijze' schuimlaag naar de richting van de rugleuning wijst, wanneer u het schuim terug steekt in de hoes. Nadat het schuim goed in de hoes zit, sluit u de rits.

Om de rugplaat te reinigen

De rugplaat kan worden afgenomen met water en zeep. Er is geen ander onderhoud noodzakelijk.

Om de positioneringselementen te laten drogen

Positioneringselementen kunnen worden gereinigd met water en zeep. Dompel de positioneringselementen niet onder water. Neem contact op met de geautoriseerde Sunrise Medical dealer als u nog vragen heeft met betrekking tot de reinigingsvoorschriften.

Wasvoorschriften	
	Machinewasbaar in warm water (60°C)
	Alleen bleken zonder chloor, wanneer noodzakelijk
	Laten uitdruipen
	Niet strijken
	Niet chemisch reinigen

COMPTABILITEIT

Rolstoeltypes

De J3 Rugleuning is zodanig ontworpen dat hij gebruikt kan worden op de meeste rolstoelen, echter met uitzondering van de volgende soorten:

Rolstoelen met een verstelbaar hoekbereik, achteruit kantelen of kantelen, waarbij de rughoek groter is dan 60 graden vanuit de verticale lijn.

WAARSCHUWING

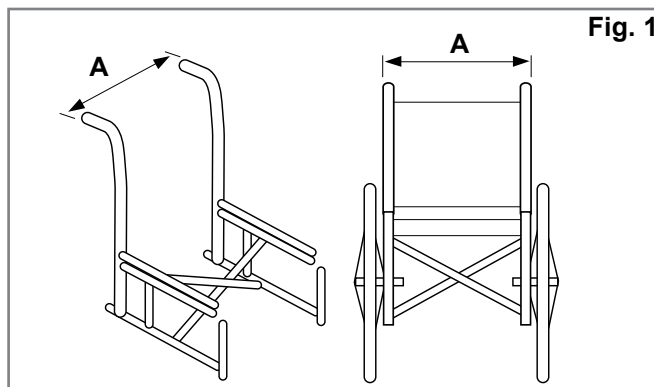
Wanneer de rug met deze types rolstoel wordt gebruikt, raakt de rugleuning in incidentele gevallen los van de rolstoel. Dit kan leiden tot een val en mogelijk tot ernstig letsel.

Afmetingen van de rolstoel

De J3 Rugleuning is ontworpen om de bekleding van de rolstoel te vervangen. Bepaal voor installatie of de betreffende rolstoel overeenstemmende rugbuizen heeft door de afmeting tussen de rugbuizen te meten (zie Fig. 1). Controleer vervolgens aan de hand van tabel 1 of de rugsteun op uw rolstoel past.

Controleer vervolgens of de diameter van de rugbuizen past. Het J3 rugsteun materiaal kan worden gemonteerd op rolstoelbuizen van 1,9 cm tot 2,85 cm. Meet de diameter van de buizen van uw rugsteun (Fig. 2) en controleer in tabel 2 of de rugbuizen overeenstemmen.

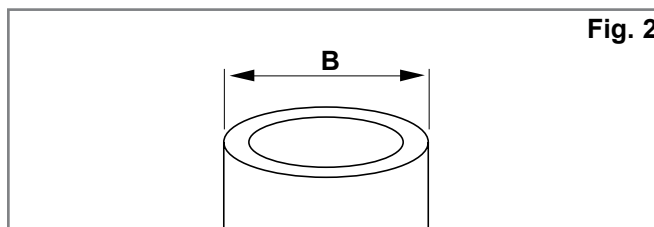
Indien u niet kunt vaststellen of de rugbuizen qua diameter overeenstemmen, neem dan contact op met uw erkende Sunrise Medical dealer of met de klantenservice van Sunrise Medical.



Tabel 1

J3 Rugbreedte* (alle omtrekken)	Breedte van rugbuizen van buitenzijde tot buitenzijde van de buizen (Fig. 1-A)			
	Minimale breedte		Maximale breedte	
	inch	cm	inch	cm
12" 31 cm	11,7	29,7	14,3	36,3
14" 36 cm	13,7	34,9	16,3	41,3
16" 41 cm	15,7	40,0	18,3	46,4
18" 46 cm	17,7	45,1	20,3	51,6
20" 51 cm	19,7	50,1	22,3	56,5

* Rugbreedte wordt vermeldt in het nummer van uw rugplaat. Bijvoorbeeld: J3SCMTS36 is een rugsteun van 36 cm.



Tabel 2

J3 Rugbreedte (alle omtrekken)	Diameter stang (Fig. 2-B)			
	Minimale breedte		Maximale breedte	
	inch	cm	inch	cm
14-20" (36-51cm)	3/4	1,9	1-1/8	2,85

INSTALLEREN VAN BEVESTIGINGSMATERIAAL

Lees onderstaande gebruiksaanwijzing door voor u met het installeren begint.

De J3 rugsteun kan het beste worden gemonteerd zonder dat er iemand in de rolstoel zit. Wanneer de rugleuning is gemonteerd, kunnen kleine aanpassingen worden gedaan terwijl de gebruiker in de rolstoel zit.

Benodigd gereedschap (meegeleverd met de J3 rugsteun)*

-  4 mm inbussleutel
- 

OPMERKING: Wanneer de vereiste draaikracht (torque) is gespecificeerd, wordt het sterk aanbevolen om met behulp van een draaikrachtsmeter (niet meegeleverd met de JAY J3 Rugleuning) te controleren of de juiste instelling is bereikt.

Instructies montage bevestigingsmateriaal (Fig. 3, 4, 5)

Geldt voor alle soorten hardware (compact, intensief compact en oud standaard)

1. Verwijder de bestaande rugleuning van de rolstoel volgens de instructies van de leverancier.
2. Kijk op welke hoogte de beugels op de rugbuizen van de rolstoel gemonteerd moeten worden. De geïnstalleerde bevestigingsmaterialen moeten ongeveer op gelijke hoogte bevestigd worden op beide buizen aan de achterzijde (Fig. 3) en parallel aan het frame van de zitting (Fig. 4). Een hogere plaats op de rugbuizen is doorgaans beter.
3. Bevestig de bevestigingsbeugels. (Fig. 5)
 - a. Maak de klemmen los (A) met de bijgeleverde 4 mm inbussleutel. **OPMERKING**– bij buizen met een grote diameter is het wellicht noodzakelijk de klemmen helemaal te verwijderen.
 - b. Bevestig de beugel en breng deze in lijn met de rugbuizen van de rolstoel (B).
 - c. Draai de klemmen handmatig aan (A). **OPMERKING:** beugels moeten later wellicht lateraal worden aangepast zodat ze goed in lijn zijn.

Bevestigen en uitlijnen van de J3 rugplaat (Fig. 6)

- a. Maak de schroef (C) en bevestigingspennen (F) los met de 10mm sleutel zodat de materialen gemakkelijk in alle richtingen kunnen bewegen.
- b. Bevestig de J3 rugplaat aan de beugels door de linker- en rechterbevestigingspennen (D) in de linker- en rechterbeugel (E) te plaatsen.
- c. Plaats de rugplaat bij benadering op de juiste plaats ten opzichte van de stoel en gebruiker.
- d. Draai de moeren handmatig aan de binnenzijde van de bevestigingspen (F) vast.

Let op: de hoek en diepte van de rugsteun moet wellicht nog aangepast worden om optimale pasvorm voor de gebruiker te garanderen.
- e. Draai de bouten handmatig vast (C). **LET OP:** hoogte van de rugsteun moet wellicht nog aangepast worden om optimale pasvorm voor de gebruiker te garanderen.
- f. Test of de rugplaat losgemaakt kan worden door de hendels voorwaarts te duwen en de rugplaat van de stoel te verwijderen. (Kijk verder in de instructies voor verwijderen en vervangen). De bevestigingsmaterialen en de rugleuning zijn goed uitgelijnd zodat de rugleuning makkelijk bevestigd en verwijderd kan worden.

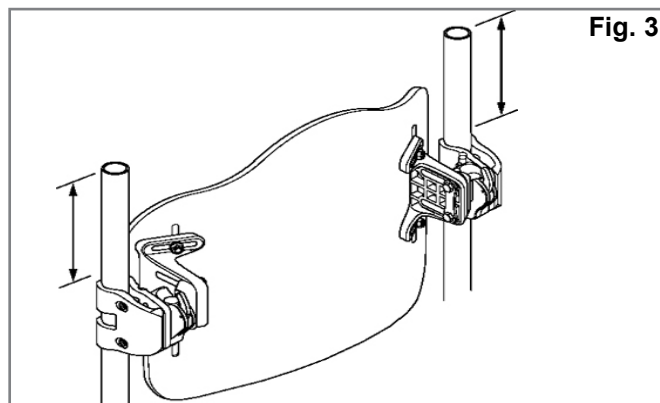


Fig. 3

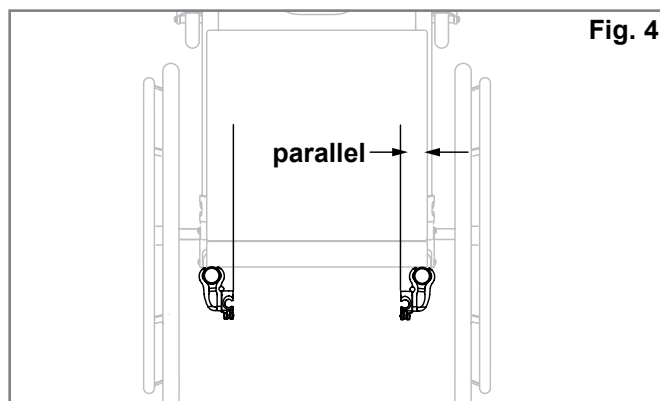


Fig. 4

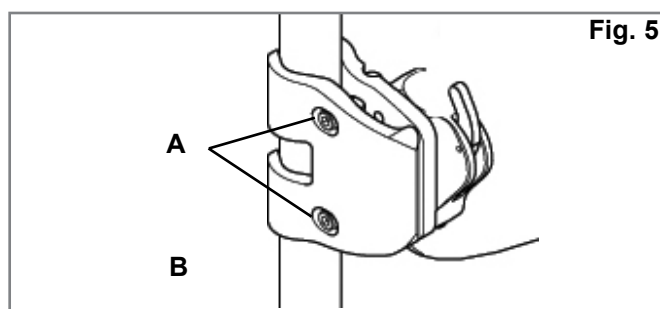


Fig. 5

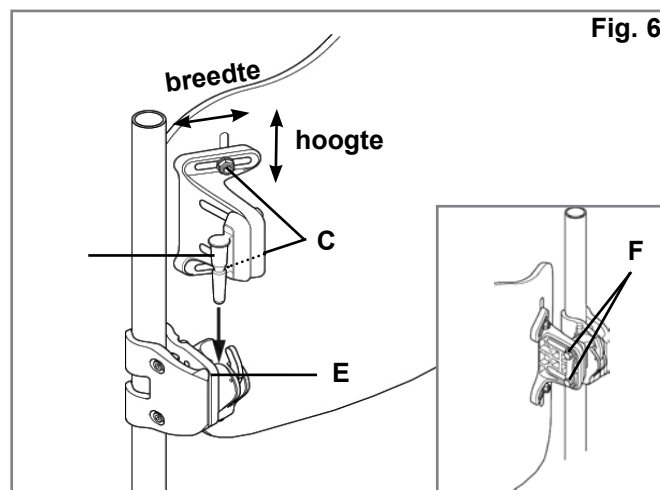


Fig. 6

- g. Pas de onderdelen zodanig aan dat een goede uitlijning wordt bereikt.
- h. Wanneer alles goed uitgelijnd is, draait u de schroeven van de beugelklem strak aan. De aanbevolen draaikracht is 75 - 85 in-lbs (8.5 - 9.3 Nm).

AANPASSEN J3 HOOGTE, DIEPTE EN HOEK

Het eerste deel van de bevestiging van de materialen is nu compleet. Dit is het juiste moment om de gebruiker in de stoel te laten plaatsnemen om de J3 rugsteun aan zijn of haar wensen aan te passen. Laat de gebruiker niet met het volle gewicht tegen de rugleuning aanleunen, omdat deze nog niet helemaal volgens de torque-specificaties is aangedraaid.

1. Aanpassing hoogte (Fig. 10)

- Stel, met de gebruiker in de stoel, de optimale hoogte van de rugleuning vast. Laat de gebruiker iets naar voren of opzij leunen, zodat er geen druk op de rugsteun is. Nu kan de aanpassing gemaakt worden.
- Maak de bout los (A) en pas de hoogte van de rugplaat aan op de gewenste positie.
- Draai de bout (A) nu stevig vast. De aanbevolen draaikracht is volgens de specificatie 75 - 85 in-lbs. (8,5 - 9,3 Nm).

LET OP: controleer of de breedte niet per ongeluk is gewijzigd tijdens het aandraaien van de schroeven.

2. Aanpassingen diepte/hoek (Figs. 11, 12 & 13)

Let op dat er twee soorten materiaal kan worden besteld: de standaardmaat (Fig. 11) en het langere, verstelbare materiaal (Fig. 12). Het materiaal wordt op dezelfde wijze aangepast, maar de standaard rugsteun kan 4.4 cm in diepte worden versteld, (Fig. 11), terwijl de uitgebreide rugsteun 7.5 cm in diepte aangepast kan worden (Fig. 12).

- Om de J3 rugsteun in diepte en hoek te verstellen, maakt u de linker- en rechtermoeren (Fig. 13-B) op de houdersleuf los.
- Verstel de diepte en/of hoek en draai de bouten weer goed aan. De aanbevolen draaikracht is volgens de specificatie 100 - 110 in-lbs. (11,3 - 12,4 Nm). Controleer of geen van de verstelbouten (Fig. 13-B) slipt of doordraait.
- Indien er meer diepte nodig is, verwijder dan de rugsteun uit de beugels. Verwijder de schroeven (Figs. 11-D, 12-D) van de beugel met behulp van bijgeleverde 4mm inbussleutel en stel de rugsteun op de gewenste diepte in. Opmerking: Het wordt sterk aanbevolen om een geschikt, gemiddeld sterk schroefdraadborgingsmiddel (bijv. Loctite 243) aan te brengen op de houder en de schroefkoppen, voordat de rugsteun wordt teruggeplaatst. Draai de schroeven tot 25-35 in-lbs. (2,8 - 4 Nm).

⚠ WAARSCHUWING

Controleer of alle materialen goed bevestigd zijn nadat alle aanpassingen zijn uitgevoerd. Nu is de J3 rugsteun klaar voor gebruik.

⚠ WAARSCHUWING

Voordat de rugsteun kan worden gebruikt, moet de vergrendelingspen zijn aangebracht, om optimale veiligheid te garanderen, (Fig. 14 & 15).

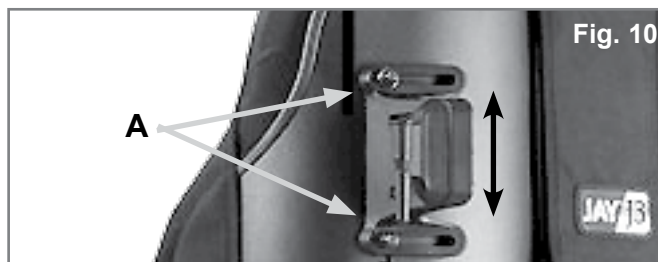


Fig. 10

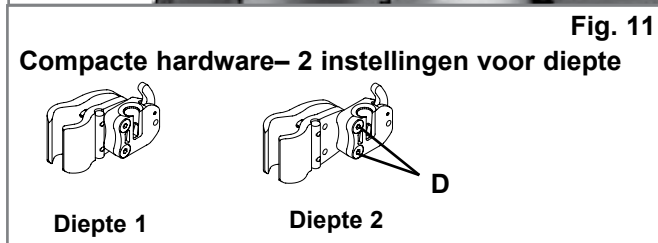


Fig. 11

Compacte hardware– 2 instellingen voor diepte

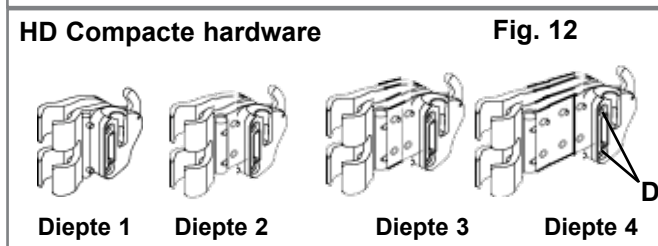


Fig. 12

HD Compacte hardware

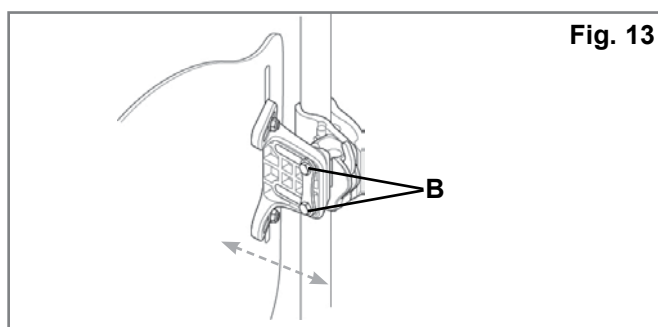


Fig. 13

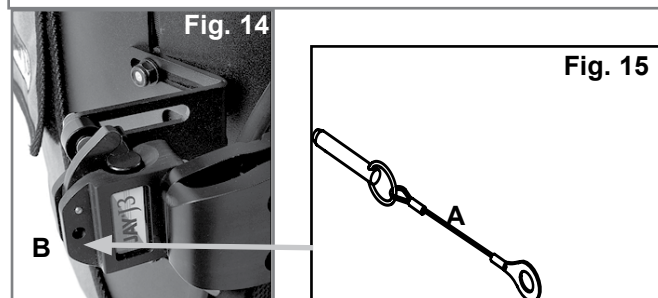


Fig. 14

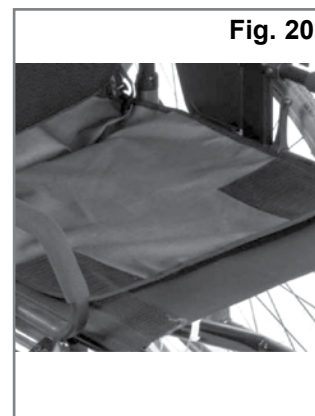
Fig. 15

BEVESTIGING VAN DE BESCHERMFLAP

1. Til de bovenste flap van de hoesomslag van de J3 Rugsteun op (Fig. 17)
2. Doe de haak aan de lus en bevestig de beschermflap aan de achterzijde van de hoes van de J3 rugsteun (Fig. 17). Doe de bovenste flap van de hoes op zijn plaats, zodat de beschermflap tussen de bovenste en onderste flap valt (Fig. 18).
3. Verwijder het zitkussen van de rolstoel en stop de 'staart' van de beschermflap tussen de rolstoelbasis en het zitkussen (Fig. 20).
4. Pas de beschermflap zo nodig aan door de 'staart' meer of minder onder het zitkussen vandaan te trekken. Als het nodig is, kan het bovenste deel van de beschermflap hoger of lager op de rugleuning worden geplaatst.
5. Steek de bindstrip door de daarvoor bedoelde ogen van de beschermflap, draai ze om het rolstoelframe, en steek het einde door de gleuf van de bindstrip (Fig. 21). Trek strak aan en sluit de openingen aan de buitenzijde van de beschermflap (Fig. 22).

Optionele opberggas

OPMERKING: Er is optioneel een opberggas leverbaar die aan de beschermflap bevestigd kan worden (Fig. 16).



De bevestiging van de J3 beschermflap is klaar

SPINE ALIGN POSITIONERINGSELEMENTEN

Spine Aligne Positioneringselementen zijn ontworpen om uitstekend gevormde ondersteuning te geven binnen een 'kant-en-klare' rugsteun. (Afhankelijk van het land zijn de Spine Align elementen al dan niet meegeleverd met uw rugsteun). Lees onderstaande gebruiksaanwijzing alvorens de Spine Align onderdelen te installeren.

1. Montage Spine Align positioneringselementen

- Laat de gebruiker zijn gewicht, indien mogelijk, naar voren of opzij verplaatsen zodat de J3 rugsteun vrij komt.
- Maak het klittenband aan de bovenzijde van de hoes los (Fig. 24) en til de hoes op zodat de binnenzijde van de J3 rugsteun vrij komt.
- Plaats de positioneringselementen op het klittenband aan de binnenzijde van de rugplaat (Fig. 25), sla de hoes terug en maak deze weer vast. Trek de hoes goed naar beneden en controleer of de naad gelijk is aan de bovenkant van de rugplaat. Als de naad niet gelijk is aan de bovenkant, kunt u eventueel de hoes aan de onderzijde losser maken (Fig. 26).
- Laat de gebruiker testen of de huidige Spine Align instelling comfort en ondersteuning biedt en herhaal stappen a-c tot de rugsteun volledig naar wens is aangepast.
- Het is mogelijk verschillende instellingen en combinaties van Spine Align elementen tegelijk te gebruiken. Neem contact op met uw dealer of Sunrise Medical als u aanvullende Spine Align maten of vormen nodig heeft.

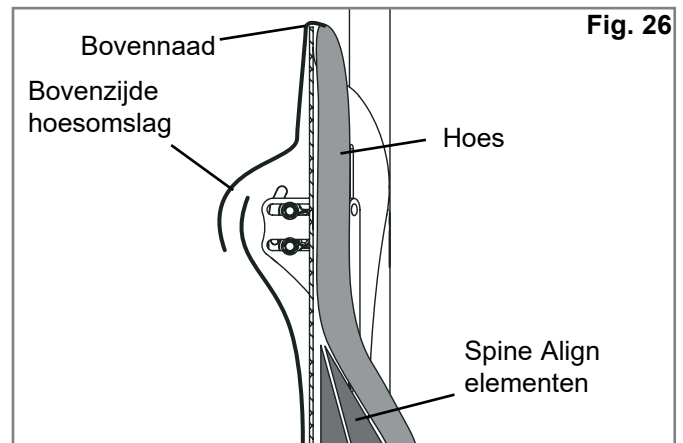
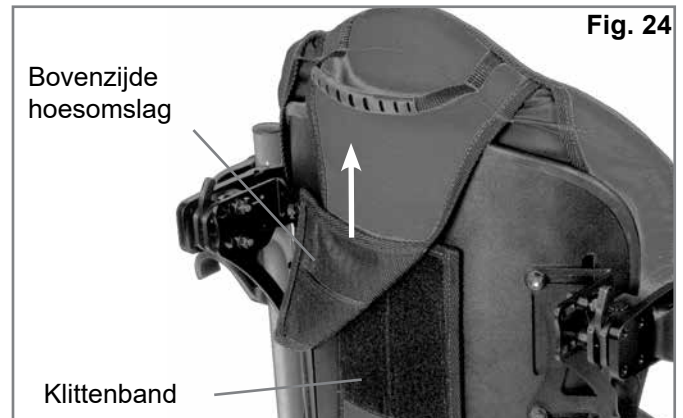
OPMERKING: Als u meer informatie wilt hebben over het J3 Spine Align systeem, kijk dan naar het animatiefilmpje op www.sunrisemedical.com.

Montage van de J3 rugsteun is nu compleet.

J3 ACCESSOIRES

Wanneer u J3 accessoires heeft besteld, zoals lateraal-elementen, hoofdsteunen of gordels, lees dan de montage-instructies voor deze onderdelen.

Positioneringselementen	
Groot lumbaal	
Klein lumbaal	
Wig	
Gebogen inzetstuk	
Plat inzetstuk	
Achterzijde/lateraal bekken	
Lateraal inzetstuk	
Grote boonzak	
Kleine boonzak	



VEILIGHEID VERVOER RUGSTEUN

De J3 rugsteun is dynamisch getest voor gebruik in een motorvoertuig. Volg de gebruiksaanwijzing voor montage, gebruik en onderhoud in deze handleiding nauwkeurig op, evenals de onderstaande gebruiksaanwijzingen voor vervoer.

WAARSCHUWING

WANNEER MEN ZICH NIET HOUDT AAN DEZE INSTRUCTIES KAN DIT ERNSTIGE VERWONDINGEN TOT GEVOLG HEBBEN VOOR DE GEBRUIKER VAN DE ROLSTOEL EN/OF ANDEREN.

INSTRUCTIES

1. Indien mogelijk moet de gebruiker worden overgeplaatst in de originele stoel zoals af fabriek geleverd en de veiligheidsgordel van het voertuig gebruiken.
2. De afstand tussen de schouder van de gebruiker en de bovenzijde van de rugsteun mag niet meer dan 16,5 cm bedragen.
3. De rolstoel moet aangemerkt zijn zoals van toepassing voor gebruik als zitplaats in een motorvoertuig, dynamisch getest volgens de prestatie-eisen ISO 7176-19, en dient te zijn gemonteerd, gebruikt en onderhouden volgens instructies van de fabrikant.
4. Indien de originele rolstoelzitting vervangen is, moet de nieuwe rolstoelzitting goedgekeurd zijn voor rolstoelvervoer en gemonteerd en gebruikt zoals aangegeven in de gebruiksaanwijzing van de fabrikant.
5. Het systeem om de rolstoel en gebruiker van de rolstoel vast te zetten, het WTORS, moet gecombineerd kunnen worden met de specifieke rolstoel, worden gebruikt zoals aangegeven in de gebruiksaanwijzing van de fabrikant en moet overeenkomen met de vereisten zoals gesteld in ISO Standaard 10542.
6. De rolstoel moet tijdens transport in voorwaartse richting staan.
7. Om de kans op verwondingen te verkleinen tijdens transport, dienen accessoires zoals werkbladen en ademhalingsapparatuur verwijderd te worden en afzonderlijk bewaard.
8. Dit product is bedoeld voor gebruik door volwassenen in gewicht variërend van 35 kg tot 136 kg.
9. Positionerende ondersteunende middelen, zoals heupgordels, rompsteunen aan achterzijde of positionerende steunmiddelen zoals laterale rompsteunen, zijn niet bedoeld om de gebruiker op zijn plaats te houden in een bewegend voertuig, tenzij ze zijn aangemerkt conform ISO Standaard 16840-4.
10. Zonder overleg met de fabrikant mogen geen wijzigingen of toevoegingen worden gemaakt aan het frame, onderdelen of elementen.

VERWIJDERING EN VERVANGING

Verwijdering

Na installatie en aanpassing, kan de rugleuning ook weer eenvoudig worden verwijderd. Om te verwijderen, duw beide hendels naar voren om te ontgrendelen (Fig. 27). Wanneer beide hendels naar voren zijn gebracht, kan de rugsteun eenvoudig opgetild worden (Fig. 28) terwijl de hendel boven op de rugsteun wordt gebruikt.

Opnieuw installeren na verwijdering

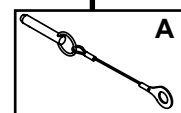
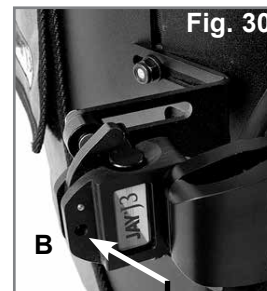
Om de rugsteun weer in de beugels te bevestigen, houdt u de pennen op gelijke hoogte van de beugels en duwt de rugsteun op zijn plaats (Fig. 29). Wanneer de rugsteun op de juiste wijze op zijn plaats wordt geduwd, worden de pennen met een 'klik' vergrendeld.

⚠ WAARSCHUWING

Als u niet zeker bent of u de vergrendelende 'klik' heeft gehoord, trek dan de rugsteun omhoog waarbij u de hendel gebruikt om te controleren of de rugsteun goed vergrendeld is.

Vergrendelingspennen (Fig. 30)

De J3 rugsteun wordt geleverd met twee vergrendelingspennen die, wanneer ze vergrendeld zijn, voorkomen dat de rugsteun los komt van de stoel. Om te vergrendelen, doe de pennen (A) in de beugels (B). Verwijder de pennen wanneer het nodig is om de rugsteun snel los te kunnen maken.



CONTRA-INDICATIES:**⚠ WAARSCHUWING**

Deze rugleuning mag niet worden gebruikt door of worden voorgeschreven aan, mensen die zwaarder zijn dan het genoemde maximale gebruikersgewicht.

RECYCLING / HERGEBRUIK:**⚠ WAARSCHUWING**

- Gevaar op letsel
- Laat het product altijd door een erkende Sunrise Medical dealer controleren op schade of slijtage voordat het wordt overgedragen aan een andere gebruiker. **GEBRUIK HET PRODUCT NIET** als er enige vorm van schade wordt geconstateerd.
- Het niet opvolgen van deze waarschuwingen kan leiden tot ernstig letsel.

Dit product is geschikt voor hergebruik*:

- Laat de rugplaat, het bevestigingsmateriaal, het schuim en de hoes door een erkende Sunrise Medical dealer controleren op schade of slijtage. Hergebruik het product niet als er enige vorm van schade wordt geconstateerd.
- Reinig en desinfecteer de rugplaat, het bevestigingsmateriaal, het schuim en de hoes in overeenstemming met de lokale wet- en regelgeving. Vraag uw plaatselijke gezondheidsdienst om advies.
- Laat een erkende Sunrise Medical dealer na reiniging en desinfectie de rugplaat, het bevestigingsmateriaal, het schuim en de hoes opnieuw controleren om te verzekeren dat het reinigings- en desinfectieproces geen schade heeft veroorzaakt.

⚠ WAARSCHUWINGEN:

- Het niet-naleven van deze richtlijnen voor hergebruik kan leiden tot ernstig letsel bij de rolstoelgebruiker.
- Wanneer dit product wordt hergebruikt, moet een erkende Sunrise Medical dealer of medische zorgverlener het aan de nieuwe gebruiker aanpassen.

BEPERKTE GARANTIE VAN 24 MAANDEN

BEPERKTE GARANTIE VAN 24 MAANDEN

Iedere JAY J3 Rugsteun wordt zorgvuldig geïnspecteerd en getest om optimale prestaties te garanderen. Iedere JAY J3 Rugsteun is gegarandeerd vrij van materiaal- en fabricagefouten voor een termijn van vierentwintig (24) maanden, vanaf de datum van aankoop, bij normaal gebruik. Mocht zich onverhoopt toch een materiaal- of fabricagefout voordoen binnen 24 maanden na de oorspronkelijke aankoopdatum, dan wordt het kussen naar keuze van Sunrise Medical, kosteloos gerepareerd of vervangen. Deze garantie is niet van toepassing op gaten, slijtage of brandplekken en is evenmin van toepassing op de verwijderbare hoes.

Claims en reparaties dienen plaats te vinden via de dichtstbijzijnde geautoriseerde leverancier. Met uitzondering van de expliciete garanties die hierbij worden gesteld, zijn alle overige garanties, inclusief de garantie dat het product geschikt is voor het doel waarvoor het wordt aangeschaft, uitgesloten. Er zijn geen garanties die zich verder uitstrekken dan de beschrijving die hier wordt gegeven. Genoegdoening voor schending van expliciet hierin gestelde garanties zijn beperkt tot reparatie of vervanging van de producten. Schadevergoeding voor schending van garanties omvat in geen geval vervolgschade en is nooit hoger dan de aanschafprijs van de producten die niet voldoen.

Sunrise Medical recomienda consultar con un médico o un terapeuta experimentado en posicionamiento para determinar si es apropiada la utilización del respaldo J3.

⚠️ ADVERTENCIA!

Los respaldos sólo deben ser instalados por:

- un distribuidor autorizado de Sunrise Medical.
- un profesional sanitario cualificado que haya obtenido el certificado apropiado de capacitación ya sea por parte de Sunrise Medical o su distribuidor autorizado.

USO INDICADO DEL RESPALDO JAY J3

El respaldo JAY J3 está destinado a proporcionar soporte posterior a una amplia variedad de usuarios de sillas de ruedas. Por su diseño, brinda un apoyo simple, cómodo y efectivo, que ayuda a maximizar el movimiento y a aumentar la tolerancia en posición sentada. Asimismo, es de peso liviano, durable y resulta fácil de usar.

Puede instalar el respaldo en una amplia variedad de sillas de ruedas.

Peso máximo del usuario:

300 lbs. (136 kg) - Piezas de fijación y montaje compactas (y antiguas piezas estándar)

500 lbs. (227 kg) - Piezas de fijación y montaje compactas

La vida útil estimada de respaldo es de 4 años.

⚠️ ADVERTENCIA

Instalar un respaldo en la silla de ruedas puede afectar el centro de gravedad de la misma y provocar que la silla de ruedas vuelque hacia atrás, con posibilidad de causar lesiones.

Evalúe siempre la necesidad de instalar en la silla de ruedas anti-vuelcos o soportes de adaptación de ejes para amputados, a fin de aumentar la estabilidad.

⚠️ ADVERTENCIA

No utilice el respaldo J3 para empujar o levantar la silla de ruedas. Un uso inapropiado puede provocar que el respaldo se desprenda inesperadamente de la silla de ruedas.

⚠️ ADVERTENCIA

No utilice la empuñadura del respaldo J3 para levantar la silla de ruedas. Esta empuñadura sólo está diseñada para la extracción del respaldo.

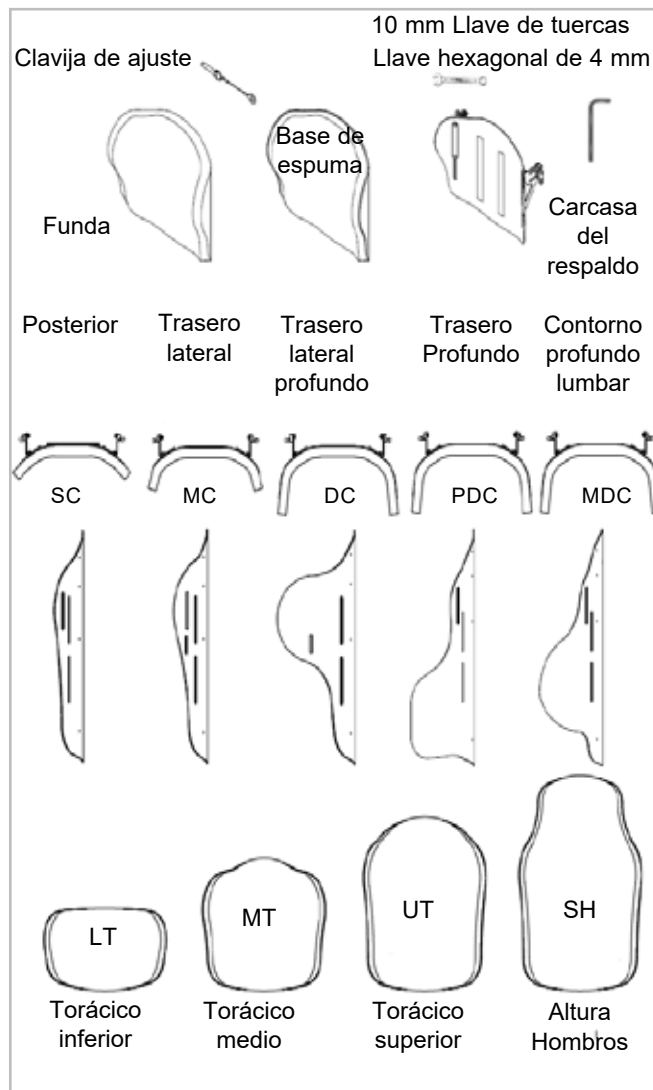
⚠️ ADVERTENCIA

La falta de cuidado provoca incendios

⚠️ ADVERTENCIA 

Por favor, lea el manual de instrucciones antes de usar el respaldo.

RESPALDO J3



MANTENIMIENTO

Sunrise recomienda que verifique cada seis meses todos los anclajes para detectar signos de desgaste, tornillos flojos o componentes rotos. Los tornillos flojos deben reajustarse según las instrucciones de instalación. Todas las abrazaderas deben ajustarse de acuerdo con las especificaciones de ajuste, según lo estipulado en la sección de instalación del sistema de fijaciones. Comuníquese con su distribuidor autorizado de Sunrise Medical inmediatamente para reemplazar cualquier componente dañado. Suspnda el uso del sistema si identifica algún componente flojo o roto.

FÁCIL DE LIMPIAR

NOTA:

- Al desmontar el respaldo para realizar la limpieza, fíjese bien en la posición de los componentes de alineación vertebral con Velcro® para montarlos correctamente después.

Para limpiar la funda del respaldo

Retire la funda despegando el Velcro. Separe la funda de la estructura del respaldo. Localice el cierre de la parte inferior de la funda y ábralo. Retire la espuma y ponga la funda al revés. Cierre la cremallera de la funda y evite que se enganche. Lavar a máquina en agua tibia (60° C) Seque al natural o a máquina a baja temperatura.

NOTA:

- No limpie las fundas en tintorería ni use lavadoras y secadoras industriales.
- No las meta en autoclave de vapor.
- No use cloro.

Vuelva a colocar la espuma dentro de la funda. Tenga en cuenta que la base contiene dos capas de espuma. Al volver a colocar la espuma, compruebe que la capa más delgada de color "gris claro" quede mirando hacia la carcasa del respaldo. Una vez que la espuma esté perfectamente colocada dentro de la funda, cierre la cremallera para finalizar.

Para limpiar la carcasa del respaldo

La carcasa se puede limpiar mediante un paño humedecido con agua y jabón. No se requiere ningún otro mantenimiento.

Para limpiar los componentes de posicionamiento

Los componentes de posicionamiento pueden limpiarse con agua y jabón. No sumerja los componentes de posicionamiento en agua. Si tiene dudas acerca del procedimiento de limpieza, comuníquese con un distribuidor autorizado de Sunrise Medical.

Símbolos para el cuidado en el lavado	
	Lavar a máquina en agua tibia (60° C)
	Utilizar sólo lejía sin cloro, en casos necesarios
	Secar al natural
	No planchar
	No lavar en seco

COMPATIBILIDAD

Tipos de sillas de ruedas

El Respaldo J3 está diseñado para ser compatible con la mayoría de las sillas de ruedas con las siguientes excepciones:

No deben utilizarse sillas de ruedas que sean ajustables angularmente, reclinables o basculantes, y que lleguen a un ángulo mayor de 60 grados.

⚠️ ADVERTENCIA

Utilizar estos tipos de silla de ruedas puede hacer que el respaldo se suelte accidentalmente de la silla de ruedas, provocando una caída y una posible lesión.

Dimensiones de sillas de ruedas

El respaldo J3 está diseñado para sustituir la tapicería del respaldo de la silla de ruedas. Antes de la instalación compruebe que la silla de ruedas tiene tubos del respaldo compatibles, midiendo la anchura entre ambos tubos, como se ve en la Figura 1. Luego, con esa medida, consulte la Tabla 1 que aparece a continuación para ver si los tubos posteriores son de la anchura correcta.

Después, compruebe que los tubos del respaldo son de un diámetro compatible. Los anclajes del respaldo J3 pueden colocarse en tubos de respaldos de entre 1,9 cm y 2,85 cm. Mida el diámetro del tubo del respaldo (Fig. 2) y consulte la Tabla 2 para asegurarse de que los tubos del respaldo sean compatibles.

Si no puede determinar que los tubos del respaldo sean compatibles, póngase en contacto con su distribuidor autorizado de Sunrise Medical o con el servicio de atención al cliente de Sunrise Medical.

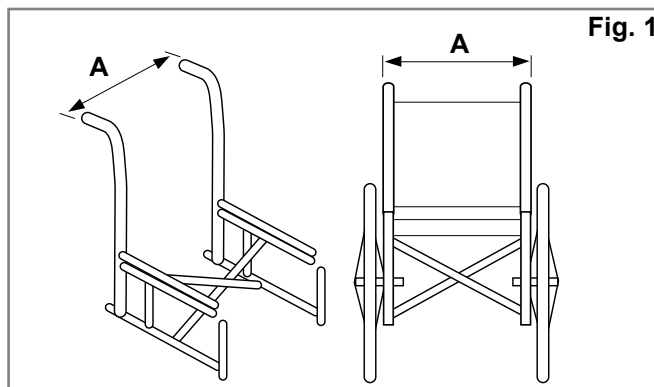


Tabla 1

Anchura del respaldo J3* (todos los contornos)	Anchura de los tubos del respaldo medidos desde las caras externas de los tubos (Fig. 1-A)			
	Anchura mínima		Anchura máxima	
	Pulgadas	cm	Pulgadas	cm
12" 31 cm	11.7	29.7	14.3	36.3
14" 36 cm	13.7	34.9	16.3	41.3
16" 41 cm	15.7	40.0	18.3	46.4
18" 46 cm	17.7	45.1	20.3	51.6
20" 51 cm	19.7	50.1	22.3	56.5

* La anchura del respaldo está identificada en el número de serie del respaldo.
Ejemplo: J3SCMTS36 es un respaldo de 36 cm.

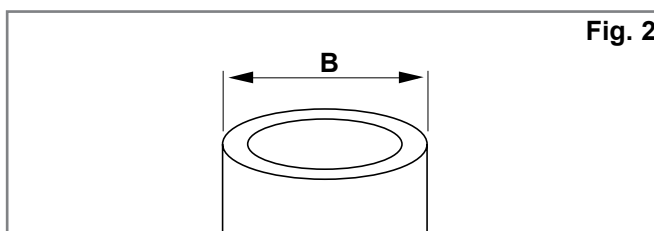


Tabla 2

Anchura del respaldo J3 (todos los contornos)	Diámetro del tubo (Fig. 2-B)			
	Anchura mínima		Anchura máxima	
	pulg	cm	pulg	cm
14-20" (36-51cm)	3/4	1.9	1-1/8	2.85

INSTALACIÓN DE LAS PIEZAS DE FIJACIÓN Y MONTAJE

Por favor lea las siguientes instrucciones antes de dar comienzo a la instalación.

Para instalar el respaldo J3, es mejor comenzar sin el usuario sentado en la silla de ruedas. Una vez que el respaldo está instalado, y sólo se necesitan hacer pequeños ajustes, el usuario podrá volver a sentarse en la silla de ruedas.

Herramientas necesarias (incluidas con el respaldo J3)*

- Llave hexagonal de 4 mm
- Llave de estrías común de 10 mm

NOTA: Siempre que la torsión de ajuste esté especificada, recomendamos utilizar un dispositivo de medición de presión (no incluido con el respaldo JAY J3) para verificar que ha conseguido la medida correcta.

Instrucciones para la instalación de las piezas de fijación (Fig. 3, 4, 5)

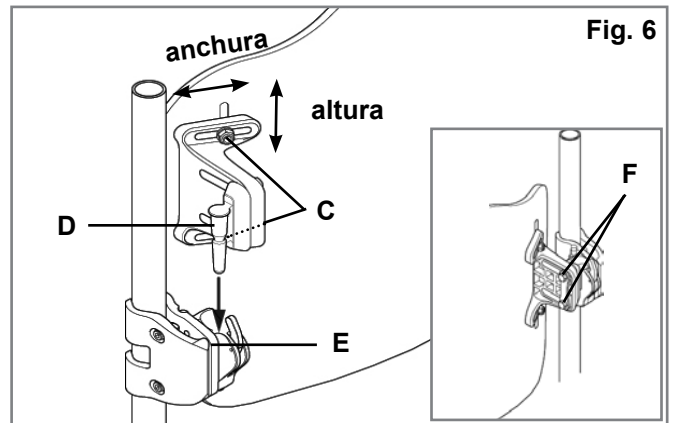
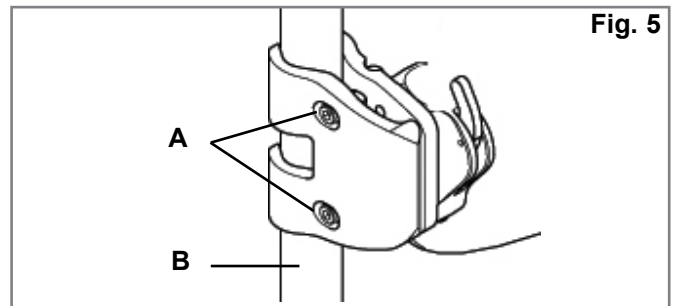
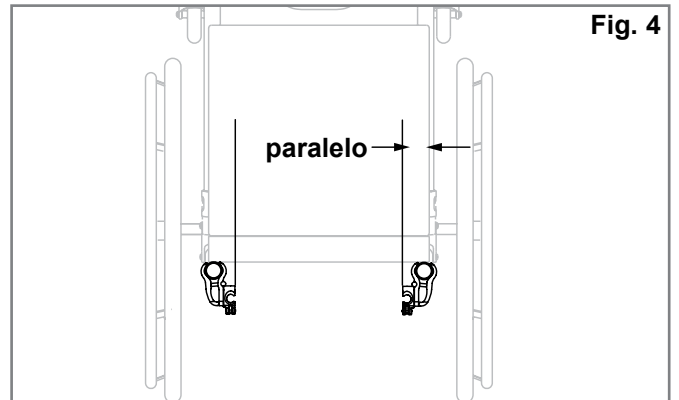
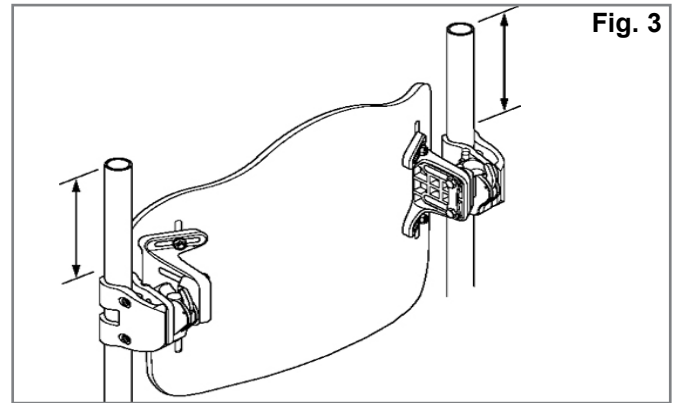
Válido para todos los tipos de piezas de fijación y montaje (compactas, para usuarios con pesos más elevados, y antiguas estándar).

1. Retire el respaldo existente de la silla de ruedas siguiendo las instrucciones del fabricante.
2. Determine visualmente la ubicación deseada de los receptores en los tubos del respaldo de la silla de ruedas. Las piezas del sistema de fijación deben estar montadas a una altura equidistante en cada tubo posterior (Fig. 3) y paralelas al armazón del asiento (Fig. 4). Cuanto más alta la ubicación de los tubos del respaldo, mejor.
3. Inserte los receptores del armazón. (Fig. 5)
 - a. Afloje los tornillos de la abrazadera (A) con la llave hexagonal de 4 mm suministrada. **NOTA**– Para tubos de mayor diámetro, quizá sea necesario extraer totalmente los tornillos de la abrazadera.
 - b. Inserte y alinee el receptor a los tubos del respaldo de la silla de ruedas (B).
 - c. Ajuste los tornillos de la abrazadera a mano (A). **NOTA** – Es posible que los receptores necesiten ajuste lateral adicional para garantizar la alineación apropiada.

Colocación y alineación de la carcasa del respaldo J3 (Fig. 6)

- a. Afloje las tuercas de los soportes (C) y las tuercas de la clavija de montaje (F) utilizando la llave de estrías común de 10 mm hasta que las piezas del sistema de fijación se deslicen fácilmente en todas direcciones.
- b. Inserte el respaldo J3 en los receptores del sistema de fijación colocando las clavijas de montaje izquierda y derecha (D) en los receptores izquierdo y derecho (E).
- c. Coloque el respaldo en la posición deseada aproximada, en relación con el usuario y con la silla.
- d. Ajuste a mano las tuercas interiores de la clavija de montaje (F).

NOTA: Es posible que la profundidad y el ángulo del respaldo necesiten un ajuste adicional para garantizar una posición adecuada para el usuario.
- e. Ajuste manualmente las tuercas del soporte (C). **NOTA** – Es posible que la altura del respaldo necesite un ajuste adicional para garantizar una posición adecuada para el usuario.
- f. Compruebe el sistema de extracción del respaldo presionando las palancas de liberación hacia delante y quitando el respaldo de la silla. (Para más información,



consulte la sección Retirada y nueva colocación). La alineación de las piezas de ajuste, montaje y respaldo será correcta si la instalación y la liberación pueden realizarse fácilmente.

- g. Si no se ha conseguido una alineación apropiada, ajuste los componentes hasta que queden correctamente alineados.
- h. Una vez bien alineados, ajuste los tornillos de la abrazadera del receptor. La torsión de ajuste recomendada es de entre 75 y 85 pulg-lbs (8,5 - 9,3 Nm).

AJUSTE DE ALTURA, PROFUNDIDAD Y ÁNGULO EN J3

La primera fase de la instalación de las piezas de ajuste del respaldo J3 está completa. Es el momento de sentar al usuario en la silla para personalizar la posición del respaldo J3. No permita que el usuario ejerza demasiada presión sobre el respaldo, ya que no está apretado totalmente según las especificaciones de torsión.

1. Ajuste de la altura (Fig. 10)

- Con el usuario sentado en la silla, seleccione la altura deseada del respaldo. Una vez seleccionada, solicite al usuario que aligere la presión sobre el respaldo, incorporándose o deslizándose parcialmente hacia delante, para poder llevar a cabo el ajuste final.
- Afloje las tuercas del soporte (A) y ajuste la altura de la estructura del respaldo en la posición deseada.
- Ajuste con firmeza las tuercas del soporte (A). La torsión de ajuste recomendada es de entre 75 y 85 pulg.-lbs. (8.5 - 9.3 Nm).

NOTA: Cuando haya completado el ajuste de altura, compruebe que la anchura no se haya modificado inadvertidamente.

2. Ajuste de ángulo y profundidad (Fig. 11, 12 y 13)

Tenga en cuenta que puede solicitar dos tipos de piezas del sistema de fijación: las estándar (Fig. 11) o las piezas más largas y ajustables (Fig. 12). Ambos juegos de piezas se ajustan de la misma manera, pero las estándar sólo permiten 5 cm de ajuste de profundidad (Fig. 11) mientras que las piezas extensibles (o ajustables) permiten un total de 8,65 cm de ajuste de profundidad (Fig. 12).

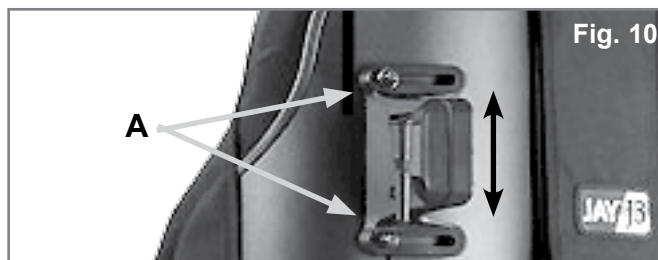
- Para ajustar la profundidad y el ángulo del respaldo J3, afloje las tuercas izquierda y derecha (Fig. 13-B) de las ranuras del soporte.
- Ajuste la altura y/o el ángulo y fíjelos con firmeza. La torsión de ajuste recomendada es de entre 100 y 110 pulg.-lbs. (11.3 - 12.4 Nm). Compruebe que ninguna de las tuercas de ajuste de profundidad (Fig. 13-B) se deslicen o roten.
- Si se necesita más profundidad, retire el respaldo de los receptores. Retire los tornillos (Figs. 11-D, 12-D) del receptor utilizando la llave hexagonal de 4 mm incluida, y vuelva a ubicarlos a la profundidad deseada. Nota: Si necesita cambiar la posición del respaldo, antes de volver a insertar los tornillos, recomendamos aplicar un adhesivo para roscas adecuado de mediana potencia, como Loctite 243, tanto en el receptor como en las roscas de los tornillos. Ajuste los tornillos a 25-35 pulg.-lbs. (2.8 - 4 Nm).

⚠ ADVERTENCIA

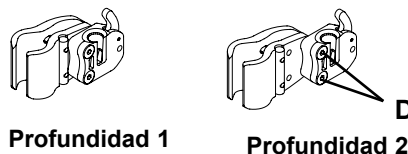
Compruebe que todas las piezas de fijación se han instalado adecuadamente una vez que todos los ajustes se hayan completado y el respaldo J3 estará listo para ser utilizado.

⚠ ADVERTENCIA

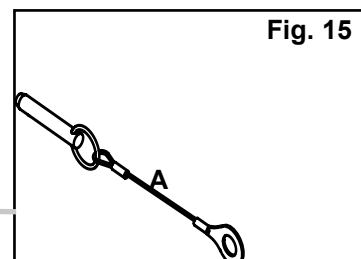
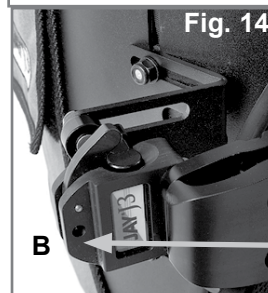
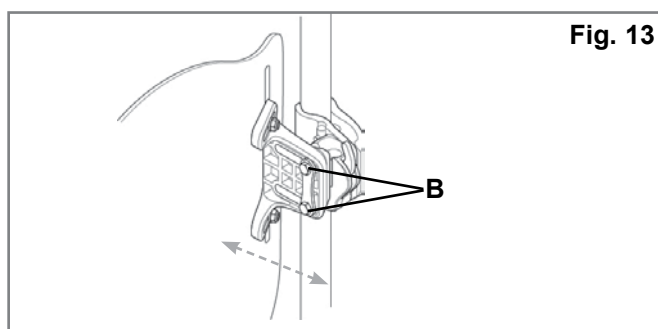
Para garantizarse una seguridad óptima de la colocación del respaldo de la silla, el pasador de bloqueo tiene que estar insertado antes de hacer uso del respaldo, (Fig. 14 y 15).



Piezas de fijación y montaje compactas: 2 configuraciones de profundidad Fig. 11



Piezas de fijación y montaje compactas para usuarios con pesos más elevados Fig. 12

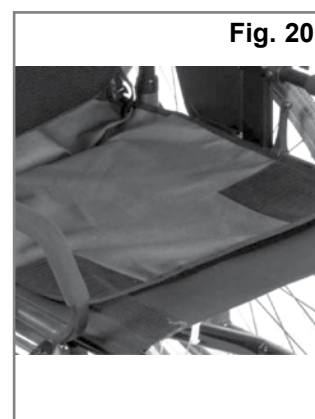


INSTALACIÓN DE LA EXTENSIÓN DE LA FUNDA

1. Levante la solapa superior de la funda del respaldo J3 (Fig. 17)
2. Haga coincidir las cintas de sujeción de Velcro y asegure la extensión en la parte posterior de la funda del respaldo J3 (Fig. 17). Vuelva a colocar la solapa superior de la funda, lo que dejará a la extensión en medio de las solapas inferior y superior del respaldo (Fig. 18).
3. Extraiga el cojín del asiento de la silla de ruedas y coloque entre medio la parte de la "cola" de la extensión, entre la superficie de apoyo de la silla de ruedas y el cojín del asiento (Fig. 20).
4. Ajuste la extensión según sea necesario moviendo la "cola" hacia dentro o fuera de debajo del cojín. De ser necesario, también puede mover la parte superior de la extensión hacia arriba o abajo desde el respaldo.
5. Pase las correas de amarre de Velcro por las arandelas de goma de la extensión de la funda, luego amárrelas al armazón de la silla de ruedas e inserte un extremo por la ranura del extremo de la correa (Fig. 21). Enrosque y cierre los espacios externos de la extensión de la funda (Fig. 22).

Bolsa para objetos personales opcional

NOTA: Existe una bolsa opcional para guardar pertenencias que se encuentra disponible como opción para adjuntar a la solapa del respaldo (Fig. 16).



Instalación de la extensión de la funda J3 finalizada

COMPONENTES DE POSICIONAMIENTO PARA ALINEACIÓN VERTEBRAL

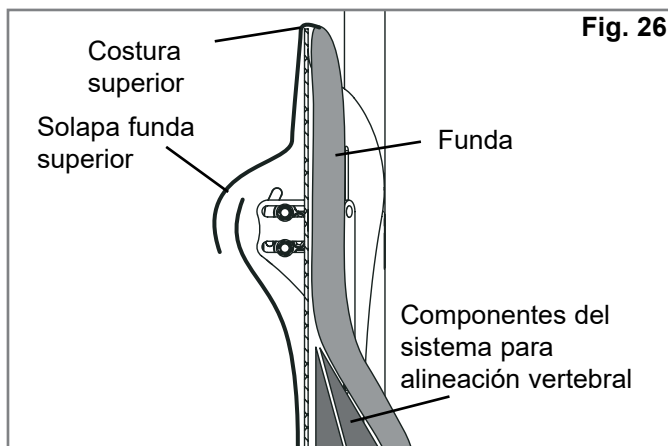
Los componentes de posicionamiento de alineación vertebral están diseñados para proporcionar una sujeción ergonómica en un respaldo "separado de la estructura principal". (Según la disponibilidad de mercado, los componentes de alineación vertebral pueden estar incluidos en su respaldo). Para instalar los componentes de alineación vertebral, lea las siguientes indicaciones.

1. Instalación de los componentes de posicionamiento de alineación vertebral

- Solicite al usuario que retire la presión del respaldo J3 incorporándose o deslizándose parcialmente hacia delante, en la medida de lo posible.
 - Desprenda la cinta de Velcro de la parte superior de la funda (Fig. 24) y retire la funda para dejar visible el interior del respaldo J3.
 - Coloque los componentes de posicionamiento con el Velcro ubicado dentro de la estructura (Fig. 25) y vuelva a poner la funda. Tire hacia abajo para comprobar que la costura superior quede alineada con la parte superior de la carcasa. Si la costura no queda alineada, es posible que necesite aflojar la parte inferior (Fig. 26).
 - Deje que el usuario pruebe la comodidad y soporte de la alineación vertebral actual o repita los pasos a-c hasta que el ajuste se haya completado satisfactoriamente.
3. Se pueden utilizar varias combinaciones y configuraciones de componentes de alineación vertebral. Si necesita formas o tallas de cuñas para alineación vertebral adicionales, comuníquese con su distribuidor autorizado o con Sunrise Medical.

NOTA: Si necesita más información sobre el sistema de cuñas de posicionamiento para alineación vertebral del respaldo J3, consulte nuestra página web www.sunrisemedical.com.

La instalación del respaldo J3 está completada.



ACCESORIOS DE J3

Si ha solicitado accesorios de J3 tales como laterales, reposacabezas o arneses, consulte las instrucciones de instalación de dichos elementos.

Componentes de posicionamiento	
Lumbar grande	
Lumbar pequeña	
Cuña	
Cuña rectangular curva	
Cuña rectangular plana	
Trasero/lateral pélvico	
Taco lateral	
Bolsa de relleno grande	
Bolsa de relleno pequeña	

SEGURIDAD EN TRÁNSITO DEL RESPALDO

El respaldo J3 ha sido dinámicamente probado para su utilización en un vehículo. Siga todas las instrucciones de instalación, uso y mantenimiento que se incluyen en este manual además de las instrucciones de transporte citadas a continuación.

ADVERTENCIA

SI NO SIGUE ESTAS ADVERTENCIAS, PUEDE PROVOCAR LESIONES GRAVES AL USUARIO DE LA SILLA DE RUEDAS O DEMÁS PASAJEROS.

INSTRUCCIONES

1. Si fuera posible y viable, el usuario de la silla debe ser transferido al asiento propio del vehículo y utilizar los elementos de fijación del mismo vehículo.
2. La distancia entre la parte superior del hombro del usuario y la parte superior del respaldo no debe exceder los 16,5 cm.
3. La silla de ruedas debe contener la especificación de uso apropiado como asiento en un vehículo de motor, y debe estar dinámicamente probada según los requisitos de rendimiento de prueba de la norma ISO 7176-19. Además, debe ser instalada, usada y mantenida según las instrucciones del fabricante.
4. Si el asiento original de la silla de ruedas fue reemplazado, el nuevo asiento debe contar con la aprobación para sillas de ruedas en vehículos de transporte. Además debe ser instalado y usado según las instrucciones del fabricante.
5. El sistema de sujeción de seguridad en vehículos de transporte (WTORS) debe ser compatible con la silla de ruedas, debe cumplir con los requisitos de rendimiento de la norma ISO 10542 y debe ser usado según las instrucciones del fabricante.
6. La silla de ruedas debe ser ubicada mirando hacia delante durante el transporte.
7. Para reducir el riesgo de lesiones potenciales en los ocupantes del vehículo, los accesorios opcionales que se montan en la silla de ruedas, tales como bandejas o equipamiento respiratorios, deben extraerse y guardarse en un sitio seguro para el transporte.
8. Este producto está diseñado para ser utilizado por adultos cuyo peso varíe entre 35 y 136 kg.
9. No deben considerarse como sistemas de sujeción de seguridad los dispositivos de soporte postural, tales como cinturones de posicionamiento pélvicos, soporte torácico o demás soportes posturales, como los torácicos laterales para un vehículo en movimiento, a menos que cumplan con la norma ISO 16840-4.
10. No se deben efectuar alteraciones ni sustituciones en la estructura, piezas o componentes sin antes consultar con el fabricante.

RETIRADA Y NUEVA COLOCACIÓN

Extracción

Habiendo explicado los pasos para la instalación y el ajuste, también puede extraer fácilmente el respaldo de la silla de ruedas de ser necesario. Para la extracción, empuje hacia delante de las palancas de liberación (Fig. 27). Una vez que ambas palancas están hacia delante, levante el respaldo verticalmente (Fig. 28) utilizando la empuñadura ubicada en la parte superior del respaldo.

Reinstalación apropiada tras la extracción

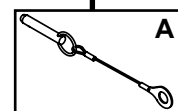
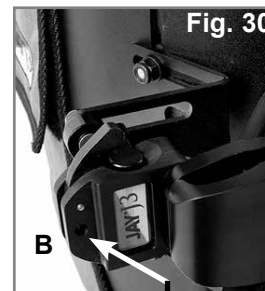
Para volver a colocar el respaldo en las piezas de fijación, simplemente alinee las clavijas con los receptores y empuje hasta ubicarlo en su lugar (Fig. 29). Los pasadores harán un "clic" que indicará que han quedado colocados de manera correcta.

ADVERTENCIA

Si no está seguro de haber escuchado el "clic", tire hacia arriba de la empuñadura del respaldo para comprobar que este ha quedado colocado correctamente.

Clavijas de ajuste (Fig. 30)

El respaldo J3 viene con dos clavijas de ajuste incluidas, que, una vez aseguradas, evitan que el respaldo se suelte de la silla. Para ajustarlas, inserte las clavijas (A) en los receptores de montaje (B). Simplemente retire estos pines si desea hacer uso de la función de desmontaje rápido



CONTRAINDICACIONES:**⚠ ADVERTENCIA**

No utilice ni recete este respaldo a ningún paciente que exceda el peso máximo de usuario especificado.

RECICLADO Y REUTILIZACIÓN:**⚠ ADVERTENCIA**

- **Riesgo de lesión**
- **Haga que un distribuidor autorizado de Sunrise Medical siempre verifique el producto por daños o desgaste antes de transferirlo a otro usuario. En caso de detectarse algún tipo de daño, NO UTILICE ESTE PRODUCTO.**
- **El incumplimiento de estas advertencias podría causar lesiones severas.**

Este producto es apto para ser reutilizado*:

- Haga que un distribuidor autorizado de Sunrise Medical verifique la carcasa, las piezas de montaje, la espuma y las fundas por daños o desgaste. En caso de detectarse algún tipo de daño, no lo reutilice.
- Limpie y desinfecte la carcasa, las piezas de montaje, la espuma y las fundas de conformidad con las normativas local vigentes. Solicite asesoramiento al organismo local de control de infecciones.
- Después de la limpieza y desinfección, haga verificar nuevamente la carcasa, las piezas de montaje, la espuma y las fundas por un distribuidor autorizado de Sunrise Medical para asegurarse de que no se hubiesen producido daños durante o tras los procesos de limpieza y desinfección.

⚠ ADVERTENCIAS:

- **El incumplimiento de estas instrucciones de reutilización podría causar lesiones severas en el usuario.**
- **Si este producto fuese a ser reutilizado, un distribuidor autorizado de Sunrise Medical o personal clínico deberá verificar que esté adaptado y configurado según las necesidades del nuevo usuario.**

GARANTÍA LIMITADA DE 24 MESES**GARANTÍA LIMITADA DE 24 MESES**

Cada respaldo JAY J3 es inspeccionado y probado cuidadosamente para proporcionar el mejor servicio. Cada respaldo JAY J3 está garantizado contra defectos de los materiales o de mano de obra por un período de 24 meses a partir de la fecha de compra, si se usa de manera normal. En caso de presentarse defectos en los materiales o mano de obra dentro del período de 24 meses a partir de la fecha de compra original, Sunrise Medical a su criterio lo reparará o reemplazará sin cargo alguno. Esta garantía no se aplica a los pinchazos, rupturas o quemaduras, ni a la funda extraíble del respaldo.

Las reclamaciones y reparaciones serán procesadas a través del distribuidor autorizado más cercano. Con excepción de las garantías expresas aquí establecidas, se excluyen todas las demás garantías, incluyendo las garantías implícitas de comercialización y las garantías de idoneidad para un propósito en particular. No existe ninguna garantía que se extienda fuera de la descripción aquí establecida. Los remedios por violaciones de las garantías expresas aquí establecidas se encuentran limitadas a la reparación o reemplazo de los bienes. Los daños por violación de cualquier garantía en ningún caso incluirán ningún daño consequential ni excederá el costo de los bienes vendidos fuera de especificaciones.

A Sunrise Medical recomenda que consulte um clínico, como um médico ou terapeuta com experiência em sistemas de posicionamento, para determinar se o Encosto J3 é apropriado.



AVISO!

Os encostos apenas devem ser instalados por:

- um fornecedor autorizado pela Sunrise Medical
- um profissional de saúde qualificado e competente que tenha recebido formação adequada da Sunrise Medical ou do fornecedor autorizado.

A QUE SE DESTINA O ENCOSTO JAY J3

A Encosto JAY J3 destina-se a proporcionar apoio para as costas a uma grande variedade de utilizadores de cadeiras de rodas. Foi desenvolvido para oferecer apoio simples, confortável e eficaz para ajudar a maximizar a sua funcionalidade e a aumentar a tolerância na posição sentada. Para além disso, é leve, durável e de fácil utilização.

O encosto pode ser instalado numa grande variedade de cadeiras de rodas.

Peso Máximo do Utilizador:

300 lbs. (136 kg) – compacto (e hardware padrão antigo)

500 lbs. (227 kg) – hardware compacto de alta resistência

A vida útil estimada do encosto é 4 anos.

AVISO

A instalação de um suporte de encosto numa cadeira de rodas pode afetar o centro de gravidade da cadeira de rodas e pode fazer com que a cadeira de rodas tombe, possivelmente causando ferimentos.

Verifique sempre se é necessário instalar na cadeira de rodas dispositivos anti-queda ou de suportes para o adaptador de eixo de amputados para ajudar a aumentar a estabilidade.

AVISO

Não empurre ou levante a cadeira de rodas segurando o encosto J3. A utilização incorreta pode soltar acidentalmente o encosto da cadeira de rodas.

AVISO

Não use o manípulo traseiro J3 para levantar a cadeira de rodas. Destina-se apenas para remover o encosto.

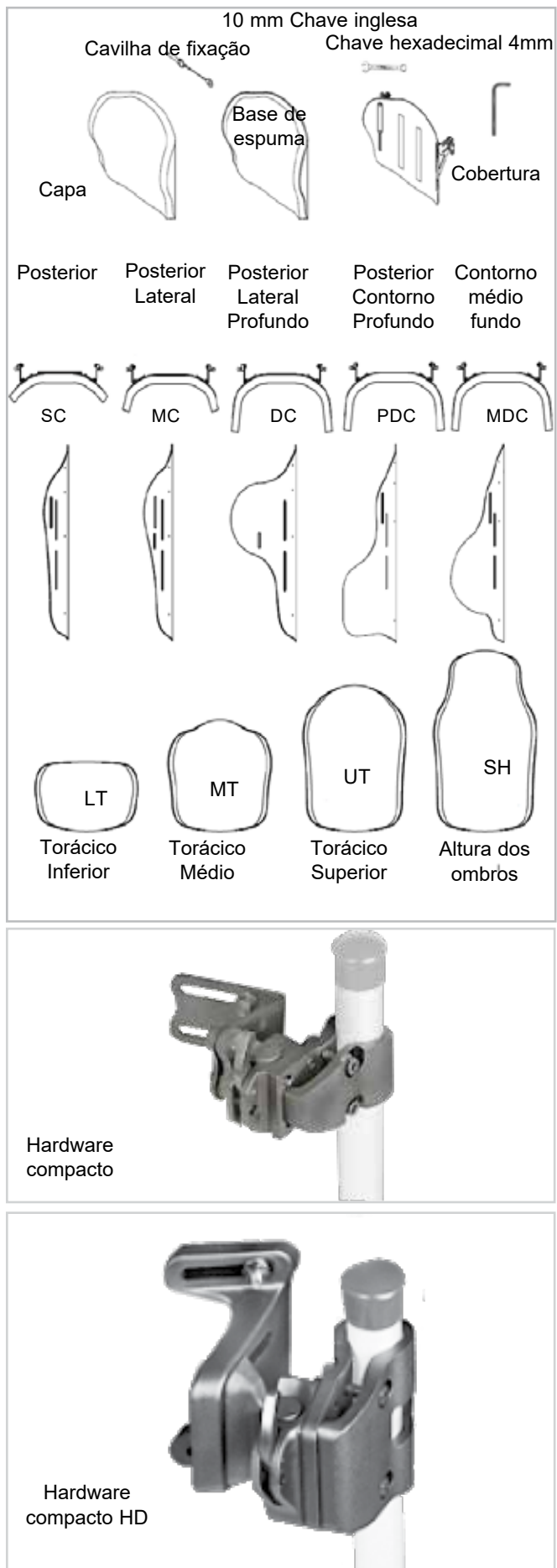
AVISO

Os descuidos causam incêndios.

AVISO

Por favor, leia o manual antes de utilizar.

ENCOSTO J3



MANUTENÇÃO

A Sunrise recomenda que inspecione todos os dispositivos de fixação de 6 em 6 meses para determinar se estão desgastados, se têm parafusos soltos ou componentes partidos. As peças soltas devem ser apertadas de novo de acordo com as instruções de instalação. Todos os acessórios de fixação devem ser apertados seguindo as especificações na seção de instalação do hardware. Contacte o seu agente Sunrise Medical autorizado imediatamente para substituir qualquer peça partida. Não continue a usar o sistema depois de identificar peças partidas ou soltas.

LIMPEZA FÁCIL

NOTA: Quando retirar o encosto para limpar, memorize a posição dos Componentes Velcro® Spine Align [Alinhamento da coluna] para montar corretamente.

Para limpar a cobertura do encosto

Remova a cobertura, separando o Velcro. Remova a capa da cobertura traseira. Localize o fecho no fundo da capa e abra. Remova a espuma e vire a cobertura do avesso. Feche o fecho da cobertura para evitar prender. Lavagem à máquina em água quente (60° C) Pendure ou seque com aquecimento baixo.

NOTA:

- Não limpe a seco as capas ou use produtos de lavagem e de secagem industrial para limpar a capa.
- Não use ferro de vapor.
- Não use lixívia.

Insira de novo a espuma na cobertura. Lembre-se: a base tem duas camadas de espuma. Quando inserir de novo a espuma, assegure-se que a espuma “cinzento claro” mais fina esteja virada para a estrutura. Quando a espuma estiver dentro da capa, feche o fecho.





Para limpar a estrutura do encosto

A estrutura pode ser limpa com sabão e água. Não é necessário qualquer outro tipo de manutenção.

Para limpar os componentes de posicionamento

Os componentes de posicionamento podem ser limpos com água e sabão. Não coloque os componentes de posicionamento debaixo de água.

Se tiver outras questões sobre a limpeza, contacte o seu fornecedor Sunrise Medical autorizado.

Símbolos de Limpeza	
	Lavagem à máquina em água quente (60° C)
	Apenas branqueamento sem cloro,
	quando necessário
	Pendurar
	Não passar a ferro Não secar

DETERMINAR A COMPATIBILIDADE

Tipos de cadeiras de rodas

O Encosto J3 foi desenvolvido para ser compatível com a maioria das cadeiras de rodas, excepto:

Cadeiras de rodas com ângulos, reclinção ou inclinação ajustável, cujo ajuste do ângulo do encosto seja superior a 60 graus a partir da vertical.

AVISO

A utilização do encosto nestes tipos de cadeiras de rodas pode fazer com que o encosto se solte acidentalmente da cadeira de rodas, causando uma queda e ferimentos potencialmente graves.

Dimensões da Cadeira de Rodas

O Encosto J3 foi concebido para substituir a tela de encosto de tecido da cadeira de rodas. Antes da instalação, determine se a cadeira de rodas usada possui barras traseiras compatíveis, medindo a largura das barras traseiras como na Figura 1. Usando a medição, consulte a Tabela 1 para determinar se a traseira encaixa na cadeira. De seguida, confirme se as barras traseiras têm diâmetro compatível. O hardware de encosto J3 pode ser montado em cadeiras de rodas com barras traseiras cujas dimensões sejam entre 1,9 cm a 2,85 cm. Meça o diâmetro das barras traseiras (Fig. 2) e consulte a Tabela 2 para se certificar que as barras são compatíveis.

Se não conseguir determinar se as barras traseiras são compatíveis contacte o seu fornecedor autorizado pela Sunrise Medical ou o serviço de assistência Sunrise Medical.

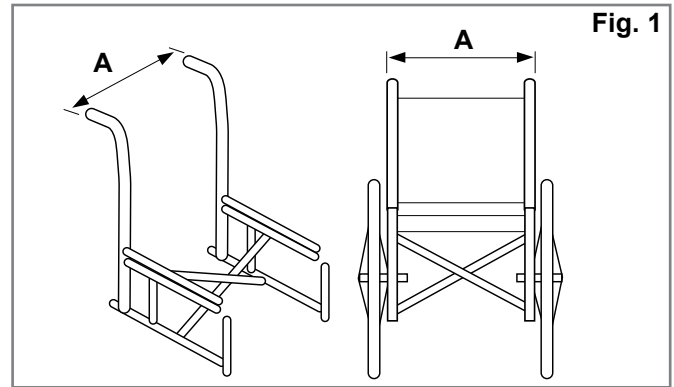


Tabela 1

Largura Encosto J3* (todos os contornos)	Largura das barras traseiras do exterior ao exterior dos tubos (Fig. 1-A)			
	Largura mínima		Largura máxima	
	polegada	cm	polegada	cm
12" 31 cm	11,7	29,7	14,3	36,3
14" 36 cm	13,7	34,9	16,3	41,3
16" 41 cm	15,7	40,0	18,3	46,4
18" 46 cm	17,7	45,1	20,3	51,6
20" 51 cm	19,7	50,1	22,3	56,5

* A Largura Traseira é identificada no número da peça do encosto.

Exemplo: J3SCMTS36 é um encosto com 36 cm.

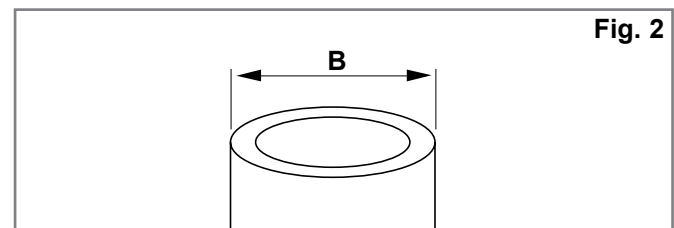


Tabela 2

Largura Encosto J3 (todos os contornos)	Diâmetro da barra (Fig. 2-B)			
	Largura mínima		Largura máxima	
	polegada	cm	polegada	cm
14-20" (36-51cm)	3/4	1.9	1-1/8	2.85

INSTALAÇÃO DO HARDWARE DE MONTAGEM

Leia as seguintes instruções antes de começar a instalação. Para instalar o Encosto J3, é melhor começar por remover o utilizador da cadeira. Quando instalar o encosto e se for necessário efectuar pequenos ajustes, pode sentar o utilizador na cadeira de rodas.

Ferramentas necessárias (incluídas com o Encosto J3)*

- Chave hexadecimal 4mm
- Chave de caixa 10mm

NOTA: Sempre que as definições do binário forem especificadas, é altamente aconselhável usar um medidor de binário (não incluído com o Encosto JAY J3) para verificar se a força de torção correta foi aplicada.

Instruções de instalação do hardware (Fig. 3, 4, 5)

Válido para todos os tipos de hardware (compacto, compacto de alta resistência e padrão antigo).

1. Remova o encosto existente da cadeira de rodas de acordo com as instruções do fabricante.
2. Determine visualmente a localização pretendida dos recetores das barras traseiras da cadeira de rodas. A altura do hardware de montagem deve ser aproximadamente igual em cada barra traseira (Fig. 3) e paralelo à estrutura do assento (Fig. 4). As posições mais elevadas nas barras traseiras são, geralmente, melhores.
3. Fixe os recetores de hardware. (Fig. 5)
 - a. Desaperte os parafusos de fixação (A) com a chave hexadecimal 4mm incluída. **NOTA:** Para tubos de grande diâmetro, poderá ser necessário remover completamente os parafusos.
 - b. Fixe e alinhe o recetor às barras traseiras da cadeira de rodas (B).
 - c. Aperte manualmente os parafusos de fixação (A). **NOTA:** Poderá ser necessário efectuar ajustamentos adicionais nos recetores para garantir o alinhamento correto.

Fixar e alinhar a cobertura traseira J3 (Fig. 6)

- a. Desaperte as porcas do suporte (C) e porcas dos pinos de montagem (F) com a chave de caixa 10mm até poder mover o hardware facilmente em todas as direcções.
- b. Fixe o Encosto J3 aos recetores de hardware inserindo os pinos de montagem esquerdo e direito (D) nos recetores esquerdo e direito (E).
- c. Determine a posição aproximada do encosto, relativa tanto à cadeira como ao utilizador.
- d. Aperte as porcas manualmente no interior do pino de montagem (F). **NOTA:** Poderá ser necessário ajustar a altura e ângulo do encosto para garantir a melhor posição para o utilizador.
- e. Aperte as porcas do suporte manualmente (C). **NOTA:** Poderá ser necessário ajustar a altura do encosto para garantir a melhor posição para o utilizador.
- f. Teste o desbloqueio do encosto empurrando os manipuladores de libertação para a frente e removendo o encosto da cadeira. (Ver seção Remoção e Substituição para mais informações.) O alinhamento correto do hardware de montagem e do encosto é obtido quando efectuar a fixação e libertação suave do encosto.

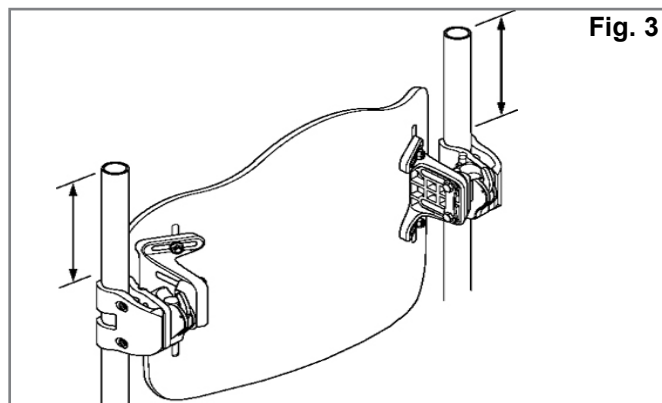


Fig. 3

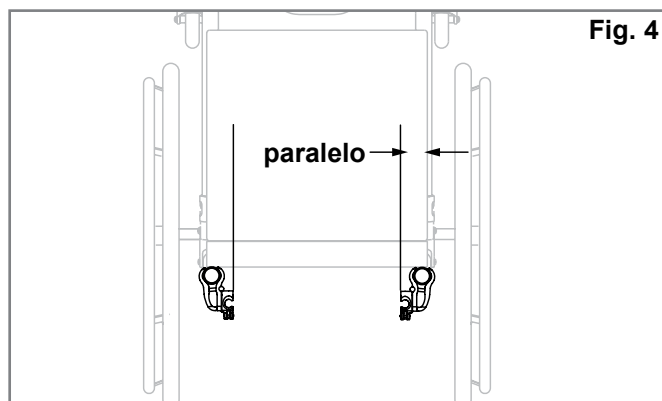


Fig. 4

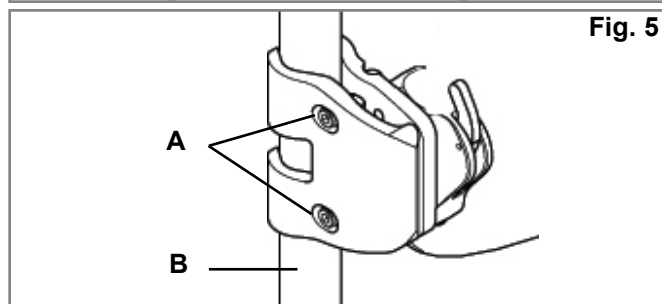


Fig. 5

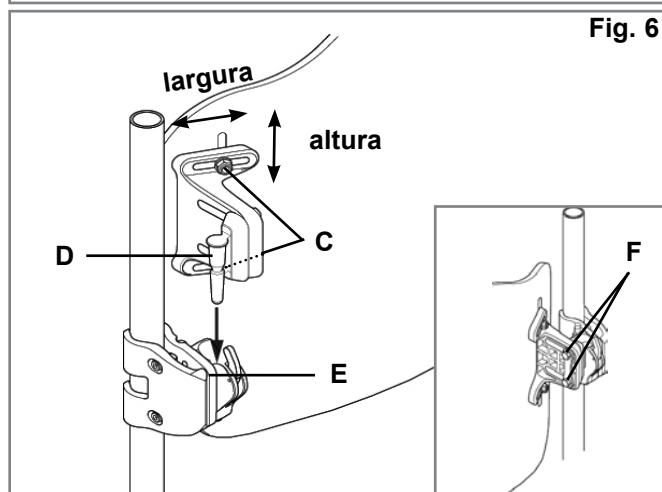


Fig. 6

- g. Se não conseguir obter o alinhamento correto, ajuste os componentes até os alinhar corretamente.
- h. Depois de alinhados, aperte os parafusos de fixação do recetor de hardware. A força de torção recomendada é 75 - 85 in-lbs (8,5 - 9,3 Nm).

AJUSTAR ALTURA, PROFUNDIDADE E ÂNGULO DE J3

A primeira fase da instalação do Encosto J3 está completa. Agora é a altura apropriada para sentar o utilizador na cadeira para personalizar o Encosto J3. O utilizador não deve aplicar o seu peso total no encosto porque ainda não foi completamente apertado segundo os requisitos de torção.

1. Ajustamento da Altura (Fig. 10)

- Com o utilizador na cadeira, determine a altura pretendida do encosto. Quando a determinar, o utilizador deve remover o seu peso do Encosto J3 inclinando-se ou movendo-se parcialmente para a frente, se possível, para permitir ajustar o encosto.
- Desaperte as porcas do suporte (A) e ajuste a altura da cobertura do encosto para a posição pretendida.
- Aperte com firmeza as porcas do suporte (A). A força de torção recomendada é (8,5 - 9,3 Nm).

NOTA: Depois de ajustar a altura, verifique se a largura não foi inadvertidamente alterada.

2. Ajustamentos de profundidade/ângulo (Fig. 11, 12 e 13)

Tenha em conta que existem dois tipos de hardware que pode encomendar – hardware padrão (Fig. 11) ou o hardware maior, ajustável (Fig. 12). Ambos os tipos de hardware são ajustados da mesma maneira mas o hardware padrão permite um ajustamento de 2 polegadas de profundidade (Fig. 11) enquanto que o hardware avançado (hardware ajustável) permite um ajustamento até 3,4 polegadas de profundidade (Fig. 12).

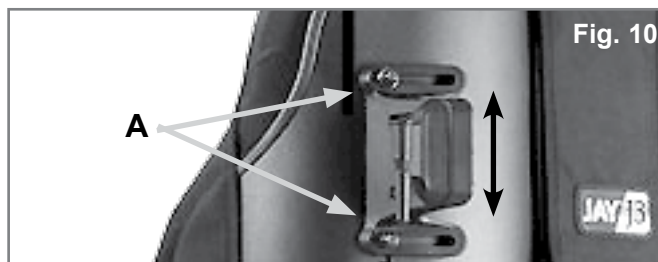
- Para ajustar a profundidade e o ângulo do Encosto J3 desaperte as porcas esquerda e direita (Fig. 13-B) nas ranhuras do suporte.
- Ajuste a profundidade e/ou ângulo e aperte firmemente. A força de torção recomendada é 100 - 110 in-lbs. (11,3 - 12,4 Nm). Assegure-se que nenhuma das porcas de ajustamento de profundidade (Fig. 13-B) escorrega ou roda.
- Se for necessário uma maior profundidade, remova o encosto dos recetores. Remova os parafusos (Fig. 11-D, 12-D) do receptor usando a chave hexagonal 4mm incluída e reposicione para a profundidade pretendida. Nota: Antes de voltar a instalar os parafusos, é recomendável a aplicação de uma massa para roscas de média força. Por exemplo, loctite 243 é altamente recomendado para o recetor e roscas dos parafusos, se pretender reposicionar o encosto. Aperte os parafusos com uma força de 25-35 in-lbs. (2,8 - 4 Nm).

⚠ AVISO

Verifique se todo o hardware foi firmemente apertado depois de completar todos os ajustamentos e o Encosto J3 está pronto a ser usado.

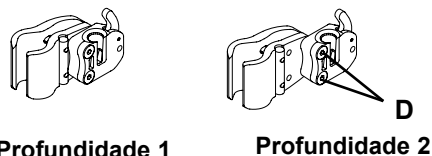
⚠ AVISO

Para garantir a máxima segurança da instalação do encosto, o pino de fixação deve ser inserido antes de poder usar o encosto, (Fig. 14 e 15).



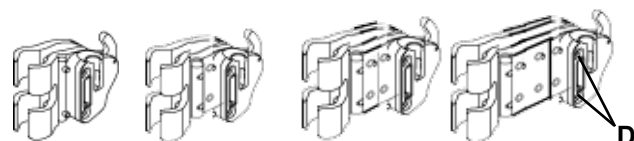
Hardware compacto – 2 configurações de profundidade

Fig. 11



Hardware compacto HD

Fig. 12



Profundidade 1 Profundidade 2 Profundidade 3 Profundidade 4

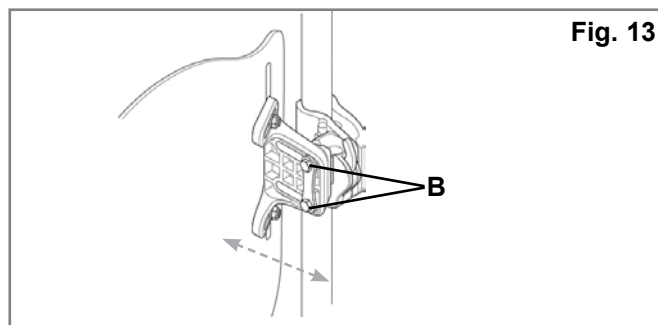
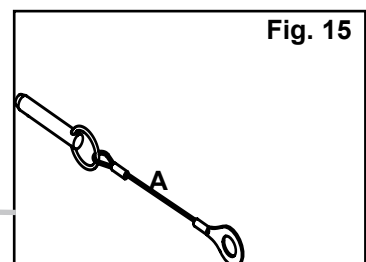
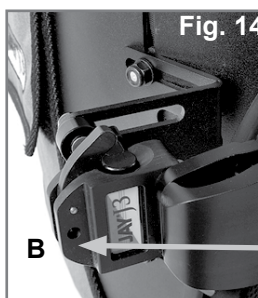


Fig. 13



INSTALAÇÃO DA ABA DE PROTEÇÃO

1. Levante a aba superior da Capa do Encosto J3 (Fig. 17)
2. Faça corresponder o gancho com a argola e fixe a Aba de Protecção à parte traseira da Capa do Encosto J3 (Fig. 17). Reposicione a aba superior da capa para entalar a Aba de Protecção entre as abas da aba superior e inferior (Fig. 18).
3. Remova a Almofada do Assento da cadeira de rodas e entale a “cauda” da Aba de Protecção entre a superfície de apoio da cadeira de rodas e da Almofada do Assento (Fig. 20).
4. Ajuste a Aba de Protecção, se necessário, movendo a cauda para dentro e para fora debaixo da Almofada do Assento. Se necessário, também pode mover a parte superior da aba de protecção para cima e para baixo no Encosto do Assento.
5. Insira os cabos da Braçadeira de Gancho e Argola através dos ilhós da Aba de Protecção, e depois enrole à volta da estrutura da cadeira de rodas e insira a extremidade inicial através do lado da ranhura da Braçadeira (Fig. 21). Encoste e feche as folgas exteriores da aba de protecção (Fig. 22).

Saco opcional

NOTA: Há um saco opcional para guardar coisas disponível para prender à Vanity Flap, (Fig. 16).



Fig. 17



Fig. 18



Fig. 19

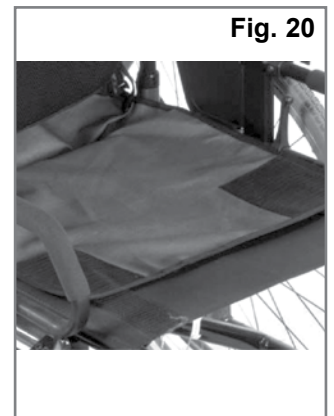


Fig. 20



Fig. 21

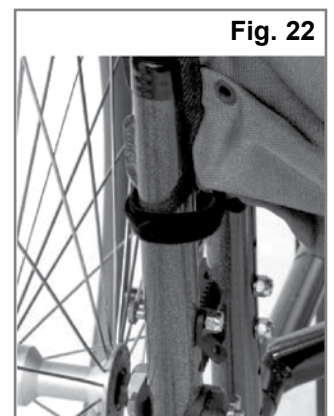


Fig. 22



Fig. 16



Fig. 23

Instalação da Aba de Protecção J3 Completa

COMPONENTES DE POSICIONAMENTO DE ALINHAMENTO DA COLUNA

Os Componentes Spine Align Positioning foram concebidos para oferecerem um excelente suporte num encosto “off-the-shelf”. (Dependendo do mercado, os Componentes Spine Align podem ser incluídos no encosto.) Para instalar Spine Align, leia as seguintes instruções.

1. Instalação dos Componentes Spine Align Positioning

- O utilizador deve remover o seu peso do Encosto J3 inclinando-se ou movendo-se parcialmente para a frente, se possível.
- Solte a correia de Velcro na aba superior da capa (Fig. 24) e levante a capa para a frente para revelar o interior do Encosto J3.
- Coloque o(s) componente(s) de posicionamento no interior de Velcro da cobertura (Fig. 25) e volte a prender a aba superior da cobertura. Puxe para baixo, certificando-se que a bainha superior está alinhada com a parte superior da cobertura. Se a bainha não alinhar, o fundo da capa poderá não ser desapertado (Fig. 26).
- O utilizador deve testar o conforto e suporte da atual configuração de Spine Align e repetir as fases a-c até completar o ajustamento.
- Podem ser usadas várias configurações e combinações dos componentes Spine Align. Se forem necessários outras formas e tamanhos de Spine Align, contacte o seu fornecedor ou a Sunrise Medical.

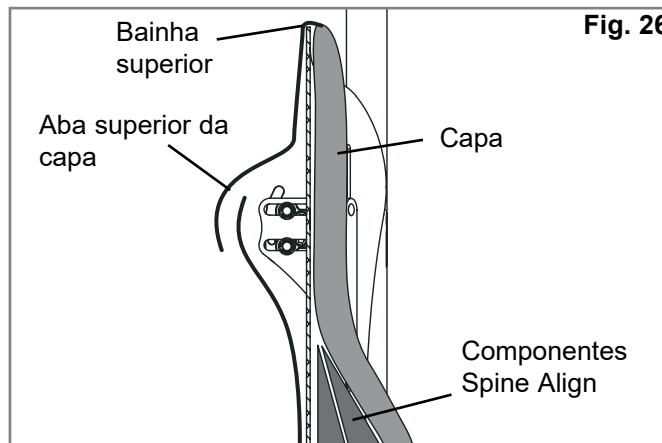
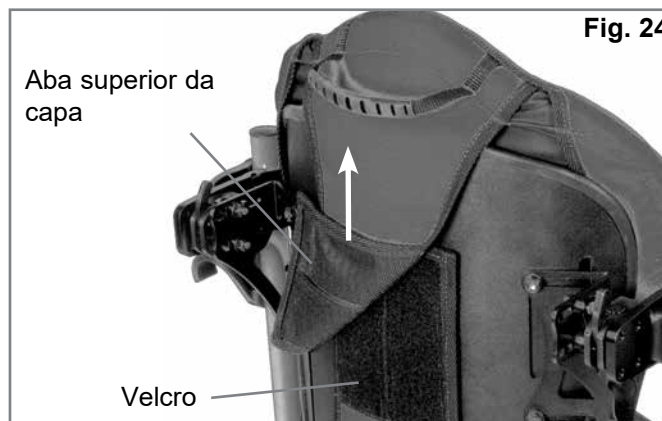
NOTA: Se precisar de mais informações sobre o sistema J3 Spine Align, reveja a nossa animação em www.sunrisemedical.com.

A instalação do encosto J3 está completa.

ACESSÓRIOS J3

Se encomendar acessórios J3 como peças laterais, encostos para cabeça ou cintos, consulte as instruções de instalação relacionadas com essas peças.

Componentes de Posicionamento	
Lombar Grande	
Lombar Pequeno	
Calço	
Calço Curvo	
Calço Plano	
Peça Pélvica Posterior/Lateral	
Calço Lateral	
Saqueta Grande	
Saqueta Pequena	



SEGURANÇA DO ENCOSTO EM VIAGEM

O encosto J3 foi dinamicamente testado para ser usado num veículo automóvel. Respeite todas as instruções de instalação, utilização e manutenção deste manual assim como as instruções de trânsito apresentadas em baixo.

AVISO

O NÃO CUMPRIMENTO DESTES AVISOS PODERÁ RESULTAR EM FERIMENTOS GRAVES PARA O CONDUTOR DA CADEIRA DE RODAS E OUTROS.

INSTRUÇÕES

1. Se possível e viável, o utilizador deve passar para o assento do veículo de Equipamento Original do Fabricante e usar o cinto de segurança.
2. A distância entre o tipo do ombro do utilizador e o topo do encosto não deve ser superior a 16,5 cm.
3. A cadeira de rodas deve ser identificada como sendo apropriada para utilização num veículo, dinamicamente testada segundo os requisitos de desempenho da Norma ISO 7176-19 e instalada, usada e mantida de acordo com as instruções do fabricante.
4. Se o assento original da cadeira de rodas for substituído, o novo assento deve ser aprovado para trânsito, instalado e usado como indicado nas instruções do fabricante.
5. O sistema Wheelchair Tiedown and Occupant Restraint (WTORS) [Retenção da Cadeira de Rodas e do Ocupante] deve ser compatível com a cadeira de rodas específica, usado como indicado nas instruções do fabricante e deve respeitar os requisitos de desempenho da Norma ISO 10542.
6. A cadeira de rodas deve estar virada para a frente durante o transporte.
7. Para reduzir o risco de perigo para os ocupantes do veículo, os acessórios instalados na cadeira de rodas, como tabuleiros e equipamento respiratório, devem ser removidos e fixados em separado.
8. Este produto destina-se a ser usado por adultos com peso entre os 35 kg e 136 kg.
9. Os dispositivos de suporte postural tais como cintos de posicionamento pélvico, suportes anteriores do tronco ou suportes posturais tais como suportes laterais do tronco, não devem ser usados para prender o ocupante num veículo em movimento exceto quando identificados como sendo compatíveis com a Norma ISO 16840-4.
10. A estrutura, peças ou componentes não devem ser alterados ou substituídos, sem autorização do fabricante.

REMOÇÃO E SUBSTITUIÇÃO

Remoção

Após a instalação e ajustamento, o encosto pode ser facilmente removido da cadeira de rodas, se necessário. Para remover, empurre cada manípulo de libertação para a frente para desbloquear (Fig. 27). Quando ambos os manípulos estiverem para a frente, basta levantar o encosto para cima (Fig. 28) com a asa localizada na parte superior do encosto.

Reinstalação correta depois da remoção

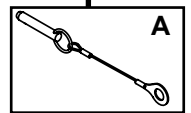
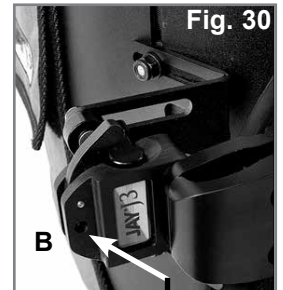
Para fixar de novo os recetores de hardware, basta alinhar os pinos aos recetores e empurrar para a sua posição (Fig. 29). Se inserir corretamente, os pinos “encaixam” numa posição bloqueada.

⚠ AVISO

Se não tiver a certeza de que ouviu um “click” de encaixe, puxe o encosto usando a asa para garantir que está bem fixa.

Pinos de Fixação (Fig. 30)

O Encosto J3 inclui dois pinos de fixação que, quando fixos, evitam que o encosto se solte da cadeira. Para fixar, insira os pinos (A) nos recetores de montagem (B). Basta remover os pinos se pretender usar a capacidade de libertação rápida.



CONTRA-INDICAÇÕES:**⚠️ AVISO**

Não use ou receite este encosto a alguém cujo peso seja superior ao Peso Máximo de Utilizador indicado.

RECICLAGEM / REUTILIZAÇÃO:**⚠️ AVISO**

- Risco de ferimento
- Peça sempre a um fornecedor Sunrise Medical autorizado para inspecionar o produto para determinar se está danificado ou desgastado antes de o entregar a outro utilizador. Se encontrar qualquer tipo de dano, **NÃO USE ESTE PRODUTO.**
- Se não respeitar estes avisos, poderá causar ferimentos graves.

Este produto pode ser reutilizado*:

- Peça a um fornecedor Sunrise Medical autorizado para inspecionar a cobertura, hardware de montagem, espuma e capa para verificar sinais de danos ou de desgaste. Se encontrar qualquer dano, não reutilize.
- Limpe e desinfete a cobertura, hardware de montagem, espuma e capa de acordo com as normas locais do governo. Consulte o Departamento de Controlo de Doenças Infeciosas local para obter aconselhamento.
- Depois de limpar e de desinfetar, peça a um fornecedor Sunrise Medical autorizado para re-inspecionar a cobertura, hardware, espuma e capa para garantir se o processo de limpeza/desinfecção não causou qualquer tipo de dano.

⚠️ ADVERTÊNCIAS:

- Caso não cumpra as instruções de reutilização, poderá causar danos graves no utilizador.
- Quando o produto for reutilizado, deve ser adaptado e equipado em função do novo utilizador por um fornecedor ou clínico Sunrise Medical autorizado.

GARANTIA LIMITADA DE 24 MESES**GARANTIA LIMITADA DE 24 MESES**

Cada Encosto JAY J3 foi cuidadosamente inspecionado e testado para garantir a máxima qualidade. Cada Encosto JAY J3 tem a garantia de não apresentar defeitos de material e de fabrico por um período de 24 meses desde a data de compra, desde que a sua utilização seja normal. Caso ocorram defeitos de material e de fabrico durante os 24 meses a contar da data de compra original, a Sunrise Medical pode, se assim o entender, repará-la ou substituí-la gratuitamente. Esta garantia não se aplica a furos, rasgões ou queimaduras futuras, nem à capa removível do encosto.

As reclamações e reparações devem ser processadas através do fornecedor autorizado mais próximo. Exceto no caso de garantias expressas nesta documentação, todas as restantes garantias, incluindo garantias implícitas de exploração comercial e garantias de aplicação com objetivos específicos são excluídas. Não existem garantias que sejam mais abrangentes que a descrição nesta documentação. Reclamações pela violação das garantias expressas nesta documentação estão limitadas à reparação ou substituição de peças. Em caso algum, os danos causados pela violação de qualquer garantia incluirão danos consequentes ou excedem o custo de peças sem conformidade.

Sunrise Medical recommande de consulter un médecin ou un thérapeute spécialisé dans l'assise et le positionnement afin de déterminer si le dossier J3 est approprié pour l'utilisateur.

⚠ AVERTISSEMENT !

Seules les personnes suivantes sont habilitées à installer les dossiers :

- Fournisseur d'équipement médical Sunrise Medical agréé.
- Professionnel de santé qualifié et compétent ayant suivi la formation certifiée appropriée, dispensée par Sunrise Medical ou son fournisseur agréé.

DOSSIER JAY J3 - USAGE PRÉVU

Le dossier JAY J3 est prévu pour assurer un bon support dorsal à des utilisateurs de fauteuil roulant ayant des besoins très variés. Il a été conçu pour fournir un support simple, confortable et efficace afin d'optimiser la fonction et d'accroître la tolérance d'assise. En outre, il est léger, durable et facile à utiliser.

Le dossier est compatible avec une vaste gamme de fauteuils.

Poids maximum de l'utilisateur :

300 lbs. (136 kg) – compact (et anciennes fixations standard)

500 lbs. (227 kg) – Fixation compacte haute résistance

La durée de vie prévue pour ce dossier est de 4 années.

⚠ AVERTISSEMENT

L'installation d'un support dorsal sur un fauteuil roulant peut avoir une incidence sur son centre de gravité. Cela pourrait faire basculer le fauteuil en arrière et éventuellement entraîner des blessures.

Toujours tester la stabilité du fauteuil et, si nécessaire, ajouter des roulettes anti-basculade ou des supports d'adaptateur d'axe pour les personnes à qui il manque un membre.

⚠ AVERTISSEMENT

Ne pas utiliser le dossier J3 pour pousser ou soulever le fauteuil car Le dossier pourrait se détacher accidentellement du fauteuil.

⚠ AVERTISSEMENT

Ne pas utiliser la poignée du dossier J3 pour soulever le fauteuil. Celle-ci sert au retrait du dossier.

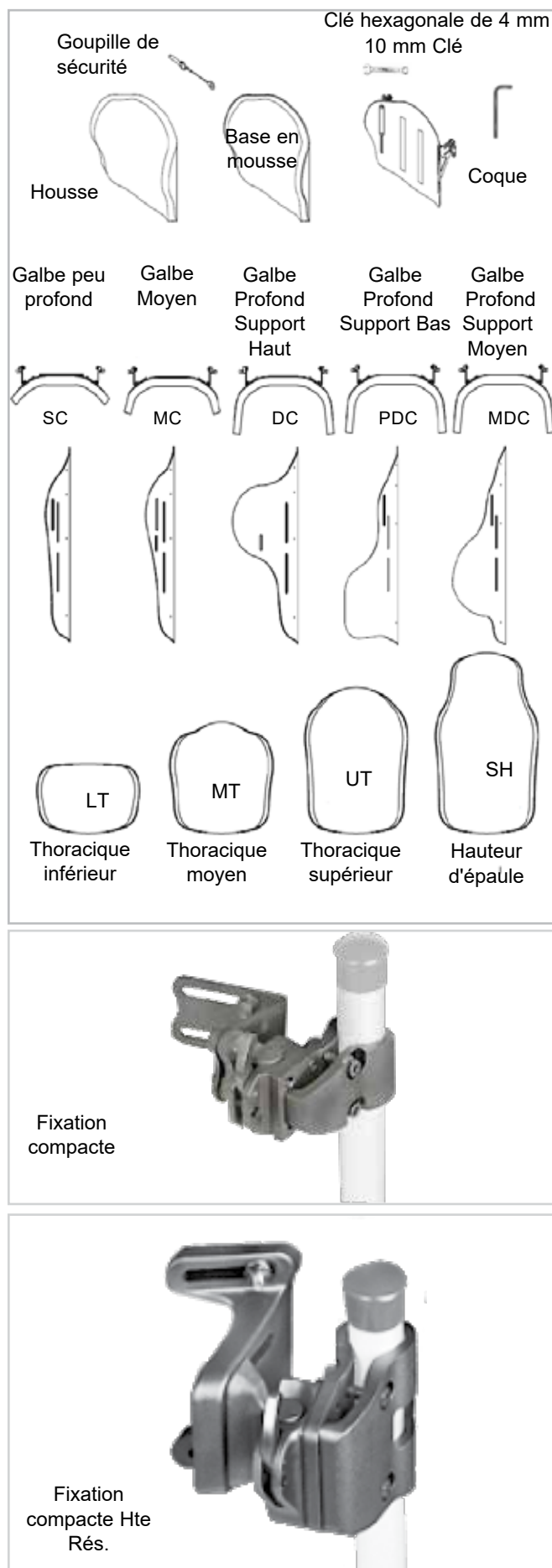
⚠ AVERTISSEMENT

L'imprudence peut provoquer un incendie.

⚠ AVERTISSEMENT

Lire attentivement le manuel avant utilisation.

DOSSIER J3



ENTRETIEN

Sunrise recommande de vérifier toutes les attaches tous les 6 mois afin de déceler toute trace d'usure, comme des boulons desserrés ou des pièces cassées. Les attaches desserrées doivent être resserrées suivant les instructions d'installation. Toutes les attaches doivent être resserrées selon les couples de serrage indiqués au chapitre Montage des fixations. Contacter immédiatement un fournisseur Sunrise Medical agréé pour le remplacement d'une pièce cassée. Arrêter d'utiliser le dispositif après avoir identifié des pièces desserrées ou cassées.

FACILE À NETTOYER

REMARQUE :

lorsque vous démontez le dossier pour le nettoyer, notez l'emplacement des éléments Spine Align Velcro® afin de les replacer au bon endroit.

Nettoyage de la housse du dossier

Détachez la bande Velcro afin de dégager la housse. Retirez la housse de la coque du dossier. Repérez la fermeture Eclair au bas de la housse et ouvrez-la. Sortez la mousse et retournez la housse à l'envers. Réfermez la fermeture Eclair pour éviter les accrocs. Lavez en machine à l'eau tiède (60°C). Laissez sécher à l'air libre ou dans un sèche-linge à basse température.

REMARQUE :

- Pas de nettoyage à sec, ni de lavage ou séchage industriel de la housse.
- Ne placez pas la housse en autoclave.
- Pas d'eau de Javel.

Réinsérez la mousse dans la housse. À noter que la base est composée de deux couches de mousse. Lorsque vous réinsérez la mousse, veillez à ce que la couche de mousse fine de couleur gris clair soit contre la coque. Une fois la mousse placée à l'intérieur de la housse, refermez la fermeture Eclair.






Nettoyage de la coque du dossier

Nettoyez la coque du dossier avec un chiffon propre et de l'eau savonneuse. La coque du dossier ne doit normalement pas nécessiter plus d'entretien.

Nettoyage des éléments de positionnement

Les éléments de positionnement peuvent être nettoyés à l'eau savonneuse. N'immergez pas les éléments de positionnement dans l'eau.

Pour toute autre question sur les procédures de nettoyage, contactez votre revendeur Sunrise Medical.

Symboles de nettoyage	
	Lavez en machine à l'eau tiède (60°C).
	Si nécessaire, n'utilisez que des agents non chlorés
	de blanchiment
	Laissez sécher naturellement
	Pas de repassage Pas de nettoyage à sec

COMPATIBILITÉ

Types de fauteuils roulants

Le dossier J3 Back est prévu pour être compatible avec la plupart des fauteuils roulants, à l'exception des modèles suivants :

Fauteuils à dossier réglable en angle, inclinable et à inclinaison d'assise, résultant en un angle d'inclinaison du dossier supérieur à 60° par rapport à la verticale.

⚠ AVERTISSEMENT

L'utilisation du dossier avec ces types de fauteuils roulants présente le risque de le voir se détacher accidentellement du fauteuil et de causer une chute et des blessures graves.

Les dimensions du fauteuil

Le dossier J3 a été conçu pour remplacer le dossier en toile standard du fauteuil roulant. Avant le montage, déterminez si les montants du dossier du fauteuil sont compatibles en mesurant la largeur entre les montants, comme indiqué à la Figure 1. Reportez-vous ensuite au Tableau 1 afin de déterminer si le dossier est compatible avec votre fauteuil. Vérifiez ensuite que le diamètre des montants est compatible. Le dossier J3 peut être monté sur des montants dont le diamètre est compris entre 1,9 cm et 2,85 cm. Mesurez le diamètre des montants du dossier (Fig. 2), puis reportez-vous au Tableau 2 pour vous assurer que les montants sont compatibles.

Si vous ne parvenez pas à déterminer la compatibilité des montants du dossier de votre fauteuil, contactez votre revendeur Sunrise Medical agréé ou le service clients Sunrise Medical.

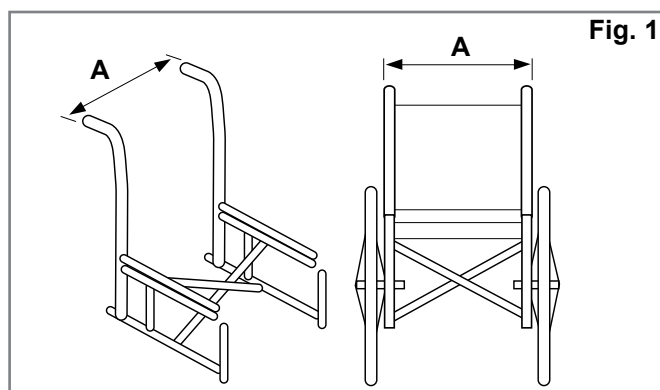


Fig. 1

Tableau 1

Largeur du dossier J3* (tous types de galbes)	Largeur des montants du dossier de l'extérieur droit à l'extérieur gauche des montants du fauteuil, (Fig. 1-A)			
	Largeur minimale		Largeur maximale	
	Pouces	cm	Pouces	cm
12" 31 cm	11,7	29,7	14,3	36,3
14" 36 cm	13,7	34,9	16,3	41,3
16" 41 cm	15,7	40,0	18,3	46,4
18" 46 cm	17,7	45,1	20,3	51,6
20" 51 cm	19,7	50,1	22,3	56,5

* La largeur du dossier est précisée dans la référence du dossier.

Exemple : dans J3SCMTS36, 36 indique un dossier de 36 cm de largeur.

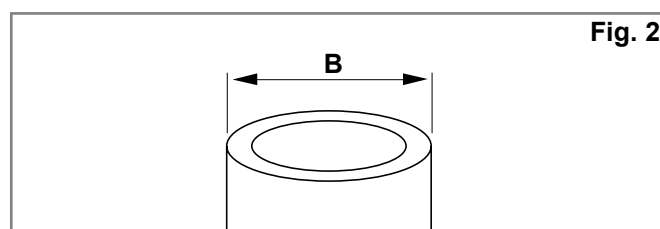


Fig. 2

Tableau 2

Largeur du dossier J3 (tous types de galbes)	Diamètre du montant (Fig. 2-B)			
	Largeur minimale		Largeur maximale	
	pouce	cm	pouce	cm
14-20" (36-51cm)	3/4	1.9	1-1/8	2.85

MONTAGE DES FIXATIONS

Veuillez lire les consignes suivantes avant de procéder au montage.

Pour installer le dossier J3, commencez dans un premier temps avec le fauteuil vide, sans occupant. Une fois le dossier installé, vous pouvez procéder aux divers petits réglages avec l'utilisateur installé dans le fauteuil.

Outils requis (fournis avec le dossier J3)*

- Clé hexagonale de 4 mm
- Clé polygonale de 10 mm



REMARQUE : lorsque des valeurs de serrage sont indiquées, il est fortement conseillé d'utiliser une clef torx (non fourni avec le dossier JAY J3) afin de vérifier le couple de serrage.

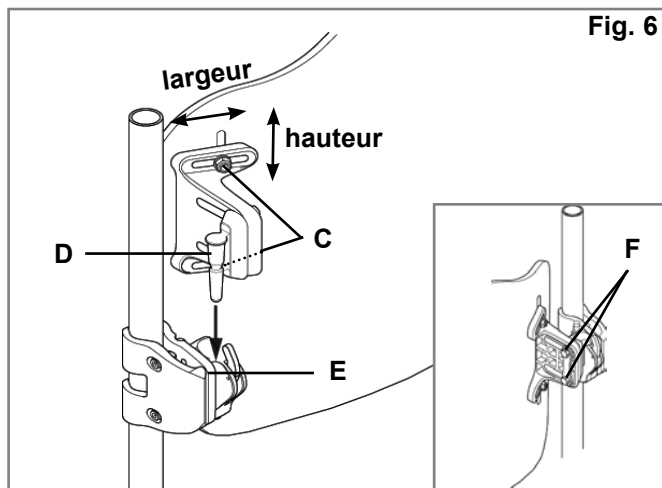
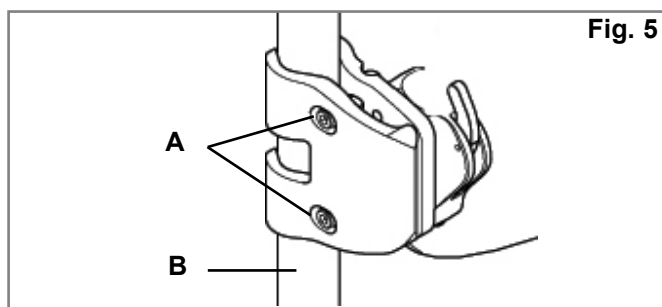
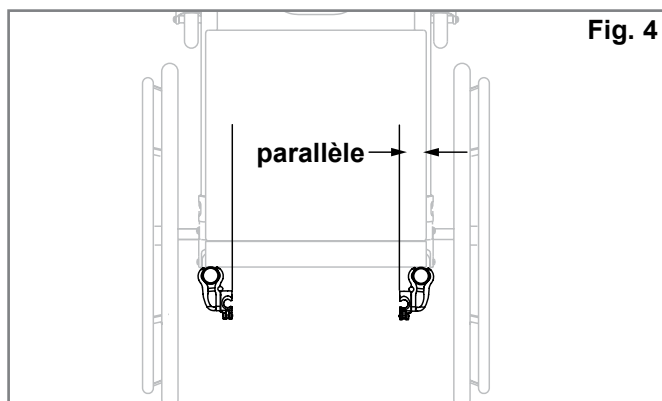
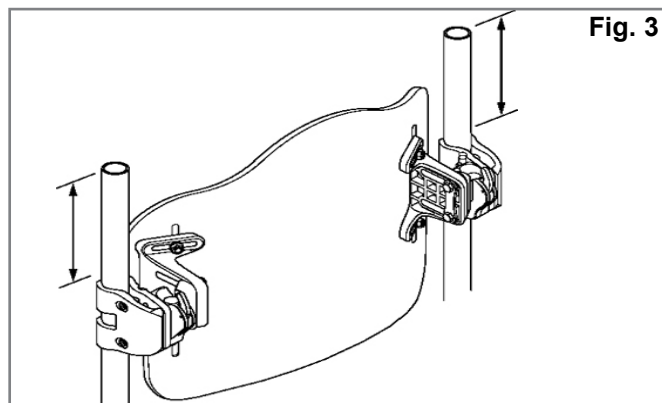
Instructions relatives au montage des fixations (Fig. 3, 4, 5)

Valables pour tous les types de fixation (compacte, compacte haute résistance et ancienne standard).

1. Ôtez le dossier d'origine du fauteuil en suivant les consignes du fabricant.
2. Déterminez visuellement l'emplacement des fixations sur les montants du dossier du fauteuil. Les fixations doivent être situées approximativement à la même hauteur sur chaque montant (Fig. 3) et parallèlement au cadre du siège (Fig. 4). En général, il est préférable de placer les fixations relativement haut sur les montants.
3. Placez les fixations. (Fig. 5)
 - a. Desserrez les vis de serrage (A) avec la clé hexagonale de 4 mm fournie. **REMARQUE** – si le diamètre des montants est important, il sera éventuellement nécessaire d'enlever complètement les vis de serrage.
 - b. Placez et alignez les fixations sur les montants du dossier du fauteuil (B).
 - c. Serrez les vis de serrage (A) à la main. **REMARQUE** : vous devrez peut-être régler les fixations également latéralement pour être sûr qu'elles sont bien alignées.

Fixation et alignement de la coque du dossier J3 (Fig. 6)

- a. Desserrez les écrous de la plaque de support (C) et les écrous des goupilles de montage (F) à l'aide de la clé de 10 mm, jusqu'à ce que la fixation puisse bouger librement dans toutes les directions.
- b. Installez le dossier J3 en insérant les goupilles de montage droite et gauche (D) dans les fixations droite et gauche (E).
- c. Placez le dossier dans sa position approximative, en fonction du fauteuil et de l'utilisateur.
- d. Serrez à la main les écrous des goupilles de montage (F). **REMARQUE** : vous devrez éventuellement régler la profondeur et l'inclinaison du dossier pour optimiser le confort de l'utilisateur.
- e. Serrez à la main les écrous de la plaque de support (C). **REMARQUE** : vous devrez éventuellement régler la hauteur du dossier pour optimiser le confort de l'utilisateur.
- f. Testez le mécanisme de libération : enfoncez les leviers de libération, puis dégagez le dossier du fauteuil. (Pour de plus amples informations, reportez-vous à la section Retrait et remplacement.) Si vous parvenez à installer et à libérer le dossier sans forcer, c'est que l'alignement entre la fixation et le dossier est bon.



- g. Si tel n'est pas le cas, ajustez les différents éléments jusqu'à obtention d'un bon alignement.
- h. Lorsque l'alignement est correct, serrez les vis de serrage des fixations. Le couple de serrage recommandé est de 8,5 - 9,3 Nm.

RÉGLAGE DE LA HAUTEUR, DE LA PROFONDEUR ET DE L'ANGLE D'INCLINAISON DU DOSSIER J3

La première phase de l'installation des fixations du dossier J3 est terminée. Il convient désormais d'installer l'utilisateur dans son fauteuil afin de personnaliser le dossier J3. Demandez à l'utilisateur de ne pas complètement s'appuyer contre le dossier car celui-ci n'est pas encore serré aux couples de serrage requis.

1. Réglage de la hauteur (Fig. 10)

- Après avoir installé l'utilisateur dans son fauteuil, déterminez la hauteur requise du dossier. Une fois la hauteur déterminée, demandez à l'utilisateur de se dégager délicatement du dossier J3 en se penchant ou en glissant légèrement vers l'avant, de sorte à pouvoir procéder au réglage.
- Desserrez les écrous de la plaque de support (A) et réglez la coque du dossier à la hauteur désirée.
- Resserrez les écrous de la plaque (A). Le couple de serrage recommandé est de 8,5 - 9,3 Nm.

REMARQUE : après avoir réglé la hauteur, vérifiez de n'avoir pas modifié la largeur par inadvertance.

2. Réglage de la profondeur et de l'angle d'inclinaison (Fig. 11, 12 et 13)

Veillez noter qu'il existe deux types de fixation : la fixation standard (Fig. 11) ou la fixation réglable plus longue (Fig. 12). Les deux types de fixation se règlent de la même façon, la différence étant que la fixation standard permet une amplitude de réglage de 5 cm (Fig. 11), tandis que la fixation étendue permet une amplitude de réglage de 8,65 cm (Fig. 12).

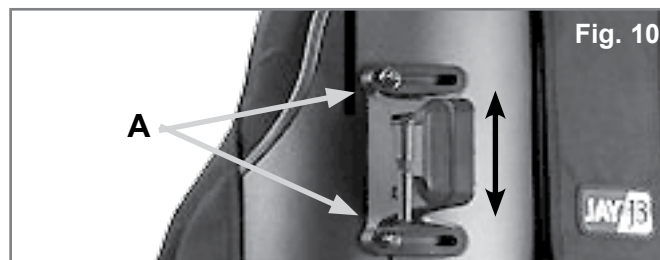
- Pour régler la profondeur et l'angle du dossier J3, desserrez les vis droite et gauche (Fig. 13-B) dans les rainures de fixation.
- Réglez la profondeur et/ou l'angle d'inclinaison, puis resserrez les écrous. Le couple de serrage recommandé est de 11,3 - 12,4 Nm. Assurez-vous qu'aucun écrou de réglage de la profondeur (Fig. 13-B) ne puisse glisser ou pivoter.
- Si la profondeur n'est pas suffisante, retirez le dossier des fixations. Retirez les vis (Fig. 11-D, 12-D) des fixations à l'aide de la clé hexagonale de 4 mm fournie, puis réglez à la profondeur désirée. Remarque : Avant de remettre les vis en place, il est fortement recommandé d'appliquer un adhésif frein-filet moyennement puissant, comme du Loctite 243, sur les fixations et le filetage des vis. Serrez les vis au couple de 2,8 - 4 Nm.

⚠ AVERTISSEMENT

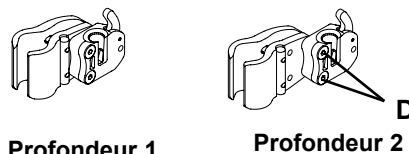
Vérifiez d'avoir bien resserré toutes les fixations après avoir procédé à tous les ajustements et lorsque le dossier J3 est prêt à l'emploi.

⚠ AVERTISSEMENT

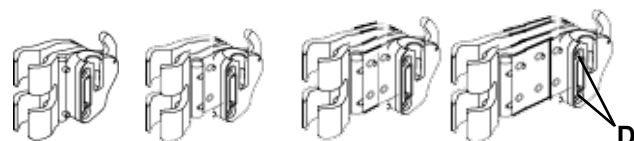
Afin de garantir la sécurité optimale du montage du dossier, la goupille de sécurité doit être insérée avant d'utiliser le dossier, (Fig. 14 et 15).



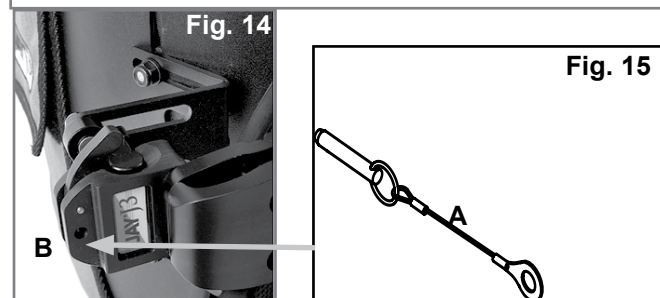
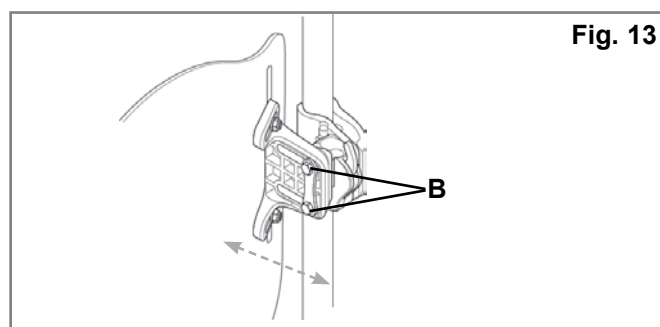
Fixation compacte - 2 réglages de profondeur Fig. 11



Fixation compacte Hte Rés. Fig. 12



Profondeur 1 Profondeur 2 Profondeur 3 Profondeur 4

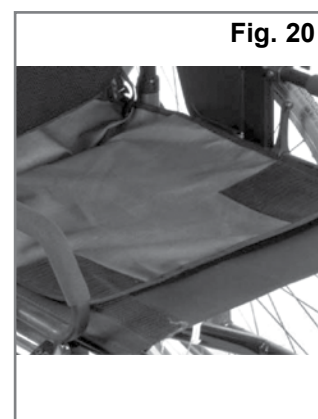


INSTALLATION DE LA PROTECTION DU DOSSIER

1. Soulevez le rabat supérieur de la housse du dossier J3 (Fig. 17)
2. Collez le haut de la protection au velcro de la housse du dossier J3 (Fig. 17). Rabaissez le rabat supérieur de la housse de sorte que la protection du dossier se fixe entre les rabats inférieur et supérieur (Fig. 18).
3. Retirez le coussin d'assise du fauteuil et passez la bavette de la protection du dossier entre le siège du fauteuil et le coussin d'assise (Fig. 20).
4. Ajustez la protection du dossier si nécessaire en déplaçant la bavette. En cas de besoin, vous pouvez également monter ou baisser la partie supérieure du volet inférieur sur la partie arrière du siège.
5. Insérez les bandes de fermeture auto-agrippante à travers les œillets de la protection du dossier, puis passez-les autour du cadre du fauteuil et insérez l'extrémité dans la fente de la bande (Fig. 21). Bordez et comblez les ouvertures de la protection du dossier (Fig. 22).

Pochette de dossier en option

REMARQUE : Une pochette de rangement en option peut venir s'accrocher sur la housse protectrice du dossier (Fig. 16).



Installation terminée de la protection du dossier J3

ÉLÉMENTS DE POSITIONNEMENT SPINE ALIGN

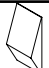

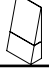






Les éléments de positionnement Spine Align sont destinés à assurer un support ergonomique par le biais d'un dossier prêt à l'emploi. (En fonction du marché, les éléments de Spine Align sont parfois fournis avec le dossier.) Pour installer les éléments Spine Align, suivez les instructions ci-dessous.

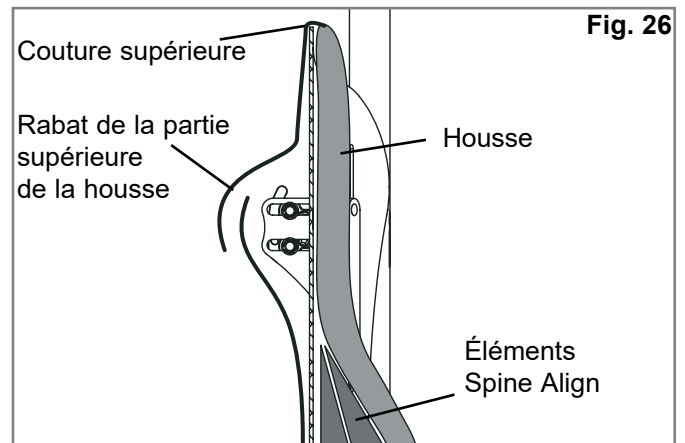
1. Installation des éléments de positionnement Spine Align

- Demandez à l'utilisateur de se dégager délicatement du dossier J3 en se penchant ou en glissant légèrement vers l'avant si possible.
- Décrochez la bande Velcro du rabat supérieur (Fig. 24) et relevez la housse vers l'avant de sorte à révéler la partie interne du dossier J3.
- Placez le ou les éléments de positionnement sur la bande Velcro, à l'intérieur de la coque (Fig. 25), et refermez le rabat supérieur. Tirez la housse vers le bas de sorte que la couture du haut soit alignée avec le bord supérieur de la coque. Si la couture n'est pas alignée, vous pouvez détendre le pan inférieur de la housse (Fig. 26).
- Demandez à l'utilisateur de tester la configuration générale des éléments Spine Align en termes de confort et de support. Répétez les étapes A à C, si nécessaire.
- Plusieurs configurations et combinaisons d'éléments Spine Align sont possibles. Si vous avez besoin d'autres formes ou tailles d'éléments de positionnement Spine Align, contactez votre revendeur ou Sunrise Medical.

REMARQUE : pour plus d'informations sur le système J3 Spine Align, visionnez notre animation sur le site www.sunrisemedical.com.

L'installation du dossier J3 est terminée.

Éléments de positionnement	
Lombaire large	
Lombaire petit	
Cale	
Cale incurvée	
Cale plate	
Bassin arrière/Latéral	
Cale latérale	
Large sac de billes	
Petit sac de billes	



ACCESSOIRES J3

Si vous avez commandé des accessoires J3, comme un cale-troncl, un appui-tête ou un harnais, veuillez vous reporter aux consignes d'installation livrées avec votre matériel.

SÉCURITÉ À BORD D'UN VÉHICULE MOTORISÉ

Le dossier J3 a été testé dynamiquement pour une utilisation à bord d'un véhicule. Veuillez suivre toutes les instructions relatives à l'installation, à l'utilisation et à l'entretien, énoncées ci-dessous.

AVERTISSEMENT

**LE NON-RESPECT DES INSTRUCTIONS ÉNONCÉES
PEUT EXPOSER LES OCCUPANTS DU VÉHICULE ET
TOUTE AUTRE PERSONNE À DE GRAVES BLESSURES.**

INSTRUCTIONS

1. Dans la mesure du possible, l'utilisateur doit prendre place dans le siège du véhicule et utiliser la ceinture de sécurité du véhicule.
2. La distance entre le haut des épaules de l'utilisateur et le haut du dossier ne doit pas dépasser 16,5 cm.
3. Le fauteuil roulant doit porter une étiquette d'homologation attestant qu'il peut être utilisé comme siège dans un véhicule motorisé ; il doit avoir subi un test dynamique conformément aux exigences de la norme ISO Standard 7176-19 ; et il doit avoir été installé, utilisé et entretenu conformément aux instructions du fabricant.
4. Si le siège d'origine du fauteuil roulant a été remplacé, le nouveau siège doit être homologué pour le transport à bord d'un véhicule, avoir été installé et être utilisé conformément aux instructions du fabricant.
5. Le système d'attache du fauteuil roulant et le système de retenue de l'occupant doivent être compatibles avec le fauteuil roulant utilisé ; il doit être utilisé conformément aux instructions du fabricant et doit être conforme aux exigences de performance de la norme ISO 10542.
6. Le fauteuil doit toujours faire face à la route pendant le transport.
7. Afin d'éviter toute blessure potentielle aux occupants d'un véhicule, enlevez et placez séparément les accessoires habituellement fixés au fauteuil, tels que le plateau et le matériel respiratoire.
8. Ce fauteuil est prévu pour les adultes dont le poids est compris entre 35 et 136 kg.
9. Les dispositifs de maintien postural, comme les sangles de positionnement du bassin ou les supports antérieurs pour le tronc, ne doivent tenir lieu de dispositif de retenue de l'occupant lors du transport à bord d'un véhicule en déplacement, à moins d'avoir été clairement identifiés comme conformes à la norme ISO 16840-4.
10. Ne modifiez et ne remplacez pas la structure, les pièces ou les composants du fauteuil, sans avoir préalablement demandé l'avis du fabricant.

DÉPOSE ET RÉINSTALLATION

Dépose

Après l'avoir installé et l'avoir réglé, le dossier peut s'enlever facilement du fauteuil, en cas de besoin. Pour le retirer, il suffit d'enfoncer les leviers de libération (Fig. 27). Après avoir enfoncé les leviers, levez le dossier vers le haut (Fig. 28) en saisissant la poignée située en haut du dossier.

Réinstallation du dossier

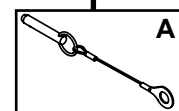
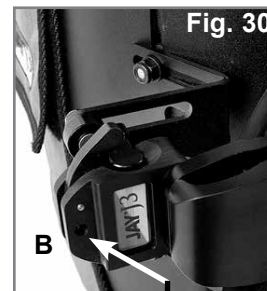
Pour replacer le dossier dans ses supports, alignez les goupilles avec les fixation et insérez-les (Fig. 29). Les goupilles doivent émettre un clic indiquant qu'elles sont bien enclenchées.

⚠ AVERTISSEMENT

Si vous n'êtes pas sûr d'avoir entendu le clic, tirez le dossier vers le haut par la poignée pour vérifier qu'il est bien enclenché.

Goupilles de sécurité (Fig. 30)

Le dossier J3 est livré avec deux goupilles de sécurité qui, lorsqu'elles sont insérées, empêchent le retrait du dossier du fauteuil. Pour bloquer le dossier, insérez les goupilles (A) dans les fixations (B). Pour utiliser le mécanisme de libération rapide du dossier, il vous suffit d'enlever les goupilles.



CONTRE-INDICATIONS :**⚠ AVERTISSEMENT**

Ne pas utiliser, ni prescrire ce dossier à tout utilisateur dont le poids dépasse la limite maximale spécifiée.

RECYCLAGE / RÉUTILISATION :**⚠ AVERTISSEMENT**

- Risque de blessure
- Avant de céder le produit à un nouvel utilisateur, demandez toujours à un revendeur Sunrise Medical agréé de l'inspecter afin de déceler tout éventuel signe d'endommagement ou d'usure. Si le moindre signe d'endommagement est décelé, N'UTILISEZ PAS CE PRODUIT.
- Le non-respect de ces avertissements pourrait entraîner de graves blessures.

Ce produit peut être réutilisé par un nouvel utilisateur *:

- Demandez à un revendeur Sunrise Medical agréé d'inspecter la coque, le matériel de fixation, la mousse et la housse afin de déceler tout éventuel signe d'endommagement ou d'usure. Si le moindre signe d'endommagement est décelé, ne réutilisez pas ce produit.
- Nettoyez et désinfectez la coque, le matériel de fixation, la mousse et la housse conformément à la réglementation locale en vigueur. Pour tout conseil, contactez votre agence de contrôle des infections.
- Après avoir nettoyé et désinfecté le matériel, demandez à un revendeur Sunrise Medical agréé d'inspecter la coque, le matériel de fixation, la mousse et la housse afin de vérifier que la procédure de nettoyage/désinfection n'a causé aucun endommagement.

⚠ AVERTISSEMENTS :

- Le non-respect des consignes liées à la réutilisation pourrait entraîner de graves blessures pour l'utilisateur.
- En cas de réutilisation, ce produit doit être adapté aux spécificités du nouvel utilisateur par un revendeur Sunrise Medical agréé ou un médecin.

GARANTIE LIMITÉE DE 24 MOIS**GARANTIE LIMITÉE DE 24 MOIS**

Tous les dossiers JAY J3 sont rigoureusement inspectés et testés pour garantir une performance optimale. Tous les dossiers JAY J3 sont garantis contre tout vice de matériau et de fabrication pendant une période de 24 mois à compter de la date d'achat, dans la mesure où l'usage qui en a fait est réputé normal. Si un défaut de matériau ou de fabrication venait à apparaître au cours des 24 premiers mois à compter de la date d'achat d'origine, Sunrise Medical pourra, à sa discrétion, le réparer ou le remplacer gratuitement. Cette garantie ne s'applique pas aux trous, déchirures ou brûlures, ni à la housse

amovible du dossier.

Les réclamations et réparations doivent être effectuées auprès de votre fournisseur agréé le plus proche. Outre les garanties expresses décrites dans le présent document, toutes les autres garanties, y compris les garanties tacites de commercialisation et les garanties de conformité à une fin particulière, sont exclues. Aucune garantie ne s'étend au-delà des présentes dispositions. Les recours pour non-respect des garanties expresses décrites, sont limités à la réparation ou au remplacement de la marchandise. En aucun cas, les dédommagements pour non-respect de la garantie ne comprendront des dommages et intérêts indirects, ni ne dépasseront les coûts du matériel non conforme vendu.

Sunrise Medical raccomanda di rivolgersi ad un medico, un terapeuta o un tecnico della riabilitazione esperto in sistemi di seduta e di postura per determinare l'idoneità all'uso di uno Schienale J3.



AVVERTENZA!

Gli schienali devono essere installati solamente da:

- un rivenditore autorizzato Sunrise Medical
- un operatore sanitario qualificato che abbia ricevuto un'adeguata formazione direttamente da Sunrise Medical o presso un rivenditore autorizzato Sunrise Medical

UTILIZZO DELLO SCHIENALE JAY J3

Lo Schienale JAY J3 è stato sviluppato per fornire supporto per la schiena per una vasta casistica di utenti in carrozzina. Ideato per fornire un supporto semplice, comodo ed efficace, favorisce la funzionalità e aumenta la tolleranza alla posizione seduta. Inoltre, è leggero, resistente e facile da usare.

Lo Schienale può essere fissato ad una vasta gamma di carrozzine.

Portata massima:

136 Kg Sistema di aggancio compatto (e vecchio sistema di aggancio)

227 Kg Sistema di aggancio compatto Heavy Duty

La durata prevista dello schienale è di 4 anni.



AVVERTENZA

L'uso di un supporto per la schiena su una carrozzina può modificarne il centro di gravità facendola ribaltare all'indietro e causando lesioni all'utente.

Valutare sempre la necessità di aggiungere dispositivi antiribaltamento o prolunghe per amputati per aumentare la stabilità della carrozzina.



AVVERTENZA

Non usare lo Schienale J3 per spingere o sollevare la carrozzina, Se viene utilizzato in modo scorretto, lo schienale potrebbe staccarsi inavvertitamente dalla carrozzina.



AVVERTENZA

Non usare la maniglia dello Schienale J3 per sollevare la carrozzina, Poiché serve solo per la rimozione dello schienale.



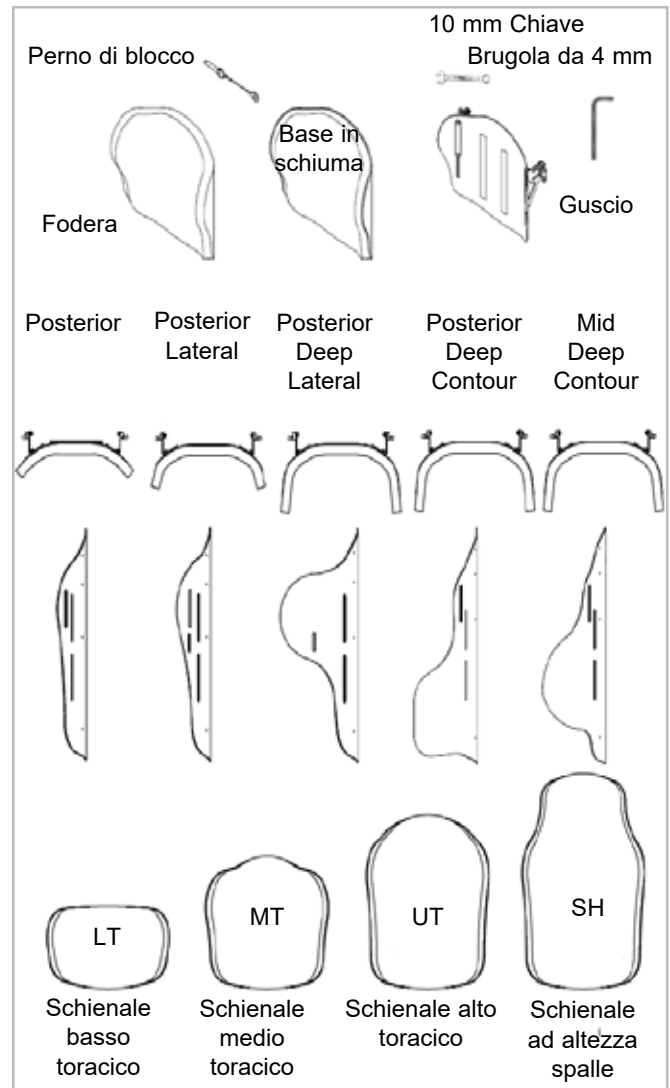
AVVERTENZA

La mancanza di attenzione potrebbe causare un incendio.



Leggere il manuale prima dell'uso.

SCHIENALE J3



MANUTENZIONE

Sunrise raccomanda di controllare ogni 6 mesi tutti i dispositivi di fissaggio ed assicurarsi che non siano logori, che i bulloni non siano allentati o che i componenti non siano rotti. Stringere i dispositivi di fissaggio allentati secondo le istruzioni per l'installazione. Stringere i dispositivi di fissaggio secondo le coppie di serraggio specificate nella sezione relativa al montaggio dei supporti. Se è necessario sostituire dei componenti rotti, contattare immediatamente il rivenditore Sunrise Medical autorizzato. Se un componente è allentato o rotto, non utilizzare più il sistema.

FACILE PULIZIA

NOTA: quando si smonta lo schienale per pulirlo, prendere nota della posizione dei componenti per il posizionamento per rimontarli poi correttamente.

Pulizia della fodera dello schienale

Staccare il velcro per rimuovere la fodera. Staccare la fodera dal guscio dello schienale. Aprire la cerniera situata nella parte inferiore della fodera. Rimuovere la schiuma e rivoltare la fodera. Richiudere la fodera con la cerniera per evitare che si attorcigli. Lavare in lavatrice in acqua calda (60 °C) Asciugare all'aria o in asciugatrice a bassa temperatura.

NOTA:

- Non lavare la fodera a secco, né utilizzare lavatrici ed asciugatrici industriali.
- Non sterilizzare in autoclave a vapore.
- Non candeggiare.

Inserire nuovamente la schiuma nella fodera. Tenere presente che la base ha due strati in schiuma. Quando si inserisce la schiuma, assicurarsi che lo strato di schiuma più sottile "grigio chiaro" sia rivolto verso il guscio. Dopo aver fissato la schiuma all'interno della fodera, chiudere con la cerniera.






Pulizia del guscio dello schienale

Il guscio può essere pulito strofinandolo con acqua e sapone. Non dovrebbe essere necessaria alcuna altra manutenzione.

Pulizia dei componenti per il posizionamento

I componenti per il posizionamento possono essere puliti con acqua e sapone. Non immergerli nell'acqua.

Se si hanno domande sulle procedure di pulizia, contattare il rivenditore Sunrise Medical autorizzato.

Simboli per il lavaggio	
	Lavare in lavatrice in acqua calda (60 °C)
	Se necessario, smacchiare utilizzando solamente
	prodotti non a base di cloro.
	Asciugare all'aria
	Non stirare Non lavare a secco.

COMPATIBILITÀ CON LA CARROZZINA

Tipi di carrozzina

Lo Schienale J3 è stato progettato per essere utilizzato con la maggior parte delle carrozzine con l'eccezione di:

Carrozzine con schienale regolabile in angolazione, reclinabili o basculanti che raggiungano un'angolazione maggiore di 60 gradi rispetto all'asse verticale.

⚠ AVVERTENZA

L'uso dello schienale con questi tipi di carrozzina può provocare il distacco accidentale dello schienale, con conseguente caduta e rischio di gravi lesioni.

Dimensioni della carrozzina

Lo Schienale J3 è progettato per sostituire il telo schienale della carrozzina. Prima del montaggio controllare che i montanti dello schienale siano compatibili. A questo scopo misurare la distanza tra i montanti come illustrato nella figura 1, quindi consultare la tabella 1 per determinare se è possibile usare lo schienale con la carrozzina.

Quindi controllare che i montanti siano di diametro compatibile. I supporti dello Schienale J3 possono essere fissati su montanti con diametro tra 1,9 cm e 2,85 cm.

Misurare il diametro dei montanti (Fig. 2), quindi consultare la tabella 2 per determinare se i montanti sono compatibili.

In caso di difficoltà nel determinare la compatibilità dei montanti dello schienale rivolgetevi ad un rivenditore autorizzato oppure al servizio clienti di Sunrise Medical.

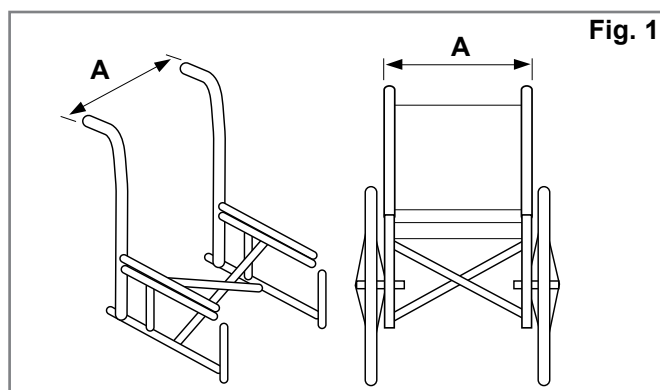


Tabella 1

Larghezza dello Schienale J3* (tutte le curvature)	Distanza tra i montanti, da parte esterna a parte esterna del montante (Fig. 1-A)			
	Larghezza minima		Larghezza massima	
	"	cm	"	cm
12" 31 cm	11,7	29,7	14,3	36,3
14" 36 cm	13,7	34,9	16,3	41,3
16" 41 cm	15,7	40,0	18,3	46,4
18" 46 cm	17,7	45,1	20,3	51,6
20" 51 cm	19,7	50,1	22,3	56,5

* La larghezza dello schienale è indicata nel codice stesso. Esempio: J3SCMTS36 è uno schienale di 36 cm.

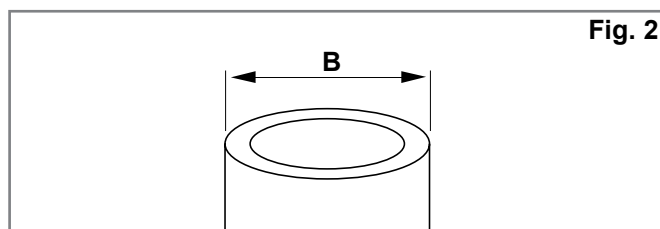




Tabella 2

Larghezza dello Schienale J3 (tutte le curvature)	Diametro dei montanti (Fig. 2-B)			
	Larghezza minima		Larghezza massima	
	"	cm	"	cm
14-20" (36-51cm)	3/4	1.9	1-1/8	2.85

MONTAGGIO DEL SISTEMA DI AGGANCIAMENTO (SUPPORTI)

Prima di procedere con il montaggio, leggere bene le istruzioni. Si consiglia di montare lo Schienale J3 senza l'utente seduto in carrozzina. Se, dopo il montaggio, fosse necessario apportare alcune modifiche di piccola entità, l'utente può rimanere seduto in carrozzina.

Attrezzi necessari (forniti con lo Schienale J3)*

- Brugola da 4 mm 
- Chiave a stella da 10 mm 

NOTA: quando le impostazioni di serraggio sono specificate, si raccomanda vivamente di utilizzare una chiave torsionometrica (non fornita con lo Schienale JAY J3) per verificare che il serraggio impostato sia conforme alle specifiche.

Istruzioni per il montaggio dei supporti del sistema di aggancio (Fig. 3, 4, 5)

Valide per qualsiasi tipo di componente (compatto, compatto per impieghi gravosi e vecchio standard).

1. Rimuovere lo schienale secondo le istruzioni del produttore della carrozzina.
2. Determinare la posizione sui montanti dello schienale dove si desidera montare i supporti. I supporti devono essere montati più o meno alla stessa altezza su ogni montante (Fig. 3) e parallelamente al telaio del sedile (Fig. 4). Si consiglia di posizionare i supporti sulla parte alta dei montanti.
3. Come montare i supporti. (Fig. 5)
 - a. Allentare le viti di fermo (A) con la brugola da 4 mm in dotazione. **NOTA**– Per i montanti con un diametro maggiore rimuovere completamente le viti di fermo.
 - b. Fissare e allineare il supporto al montante dello schienale (B).
 - c. Stringere le viti di fermo a mano (A). **NOTA:** Per un allineamento corretto potrebbe essere necessario regolare ulteriormente i supporti lateralmente.

Montaggio e allineamento del guscio dello Schienale J3 (Fig. 6)

- a. Allentare i dadi della staffa (C) e i dadi del perno di montaggio (F) con la chiave a stella da 10 mm fino a quando il supporto non si muova liberamente in tutte le direzioni.
- b. Fissare lo Schienale J3 ai supporti inserendo i perni di montaggio destro e sinistro (D) nei rispettivi fori (E).
- c. Determinare la posizione, rispetto alla carrozzina e all'utente, in cui si desidera montare lo schienale.
- d. Stringere i dadi a mano sulla parte interna del perno di montaggio (F).

NOTA: Per garantire il massimo comfort, potrebbe essere necessario regolare ulteriormente la profondità e l'angolo dello schienale.
- e. Stringere i dadi della staffa a mano (C). **NOTA**– Per garantire il massimo comfort, potrebbe essere necessario regolare ulteriormente l'altezza dello schienale.
- f. Provare a rimuovere lo schienale premendo le leve di sblocco in avanti e staccare lo schienale dalla carrozzina. (Per ulteriori informazioni, vedere la sezione relativa alla rimozione e al posizionamento.) Se i supporti e lo schienale sono allineati correttamente, lo schienale può essere montato e rimosso facilmente.

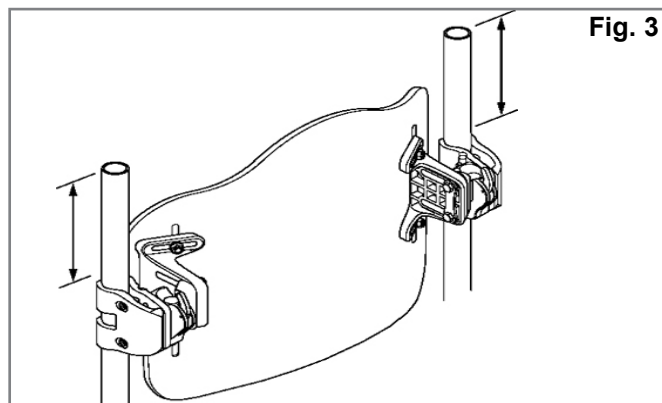


Fig. 3

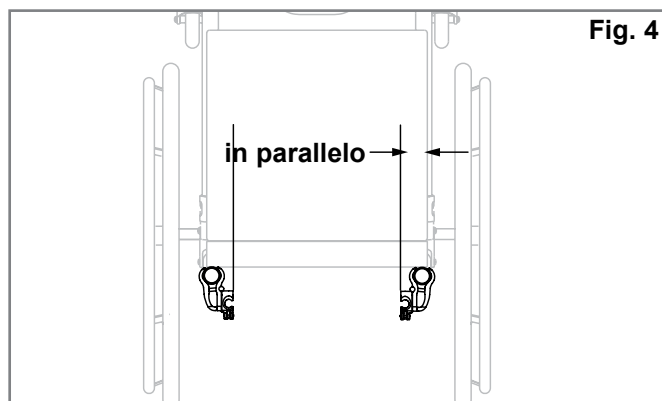


Fig. 4

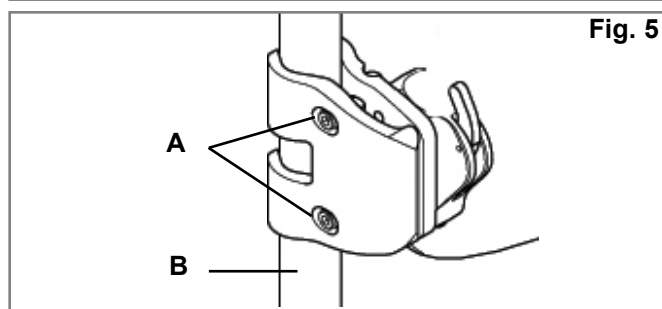


Fig. 5

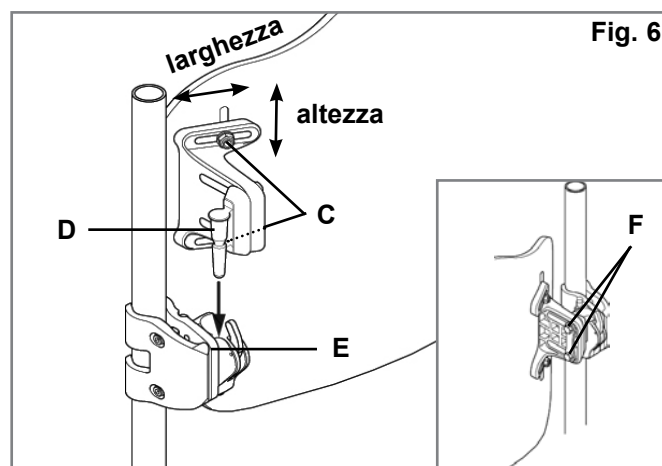


Fig. 6

- g. Se i supporti e lo schienale non sono allineati correttamente, regolarli di conseguenza.
- h. Dopo avere completato l'allineamento, stringere le viti di fermo dei supporti secondo la coppia di serraggio consigliata di 75 - 85 in-lbs (8,5 - 9,3 Nm).

REGOLAZIONE DELL'ALTEZZA, DELLA PROFONDITÀ E DELL'ANGOLO DELLO SCHIENALE J3

Dopo avere montato i supporti dello Schienale J3, fare sedere l'utente sulla carrozzina per regolare lo schienale. Chiedere all'utente di non applicare pressione in quanto lo schienale non è ancora stato stretto completamente secondo i requisiti di serraggio.

1. Regolazione dell'altezza (Fig. 10)

- Con l'utente seduto sulla carrozzina determinare a che altezza si desidera regolare lo schienale. Quindi chiedere all'utente di non applicare pressione e di sporgersi o scivolare parzialmente in avanti, se possibile, per consentire la regolazione dello schienale.
- Allentare i dadi della staffa (A) e spostare il guscio dello schienale all'altezza desiderata.
- Stringere bene i dadi della staffa (A) Secondo la coppia di serraggio consigliata di 8,5 - 9,3 Nm.

NOTA: dopo avere regolato l'altezza, verificare che la larghezza non sia cambiata.

2. Regolazione della profondità e dell'angolo (Figg. 11, 12 & 13)

Sono disponibili due tipi di supporti: il supporto standard (Fig. 11) e il supporto estensibile (Fig. 12). La profondità di entrambi i supporti può essere regolata allo stesso modo. Tuttavia il supporto standard può essere regolato di 5,1 cm (Fig. 11), mentre il supporto estensibile può essere regolato di 8,6 cm (Fig. 12).

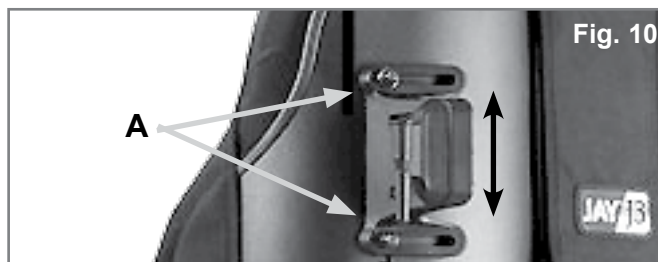
- Per regolare la profondità e l'angolo dello schienale J3, allentare i dadi destro e sinistro (Fig. 13-B) sulla staffa.
- Regolare la profondità e/o l'angolo, quindi stringere bene i dadi. secondo la coppia di serraggio consigliata di 11,3 - 12,4 Nm. Assicurarsi che nessuno dei dadi per la regolazione della profondità (Fig. 13-B) scivoli o giri.
- Se è necessario regolare ulteriormente la profondità, staccare lo schienale dai supporti. Rimuovere le viti (Figg. 11-D, 12-D) dal supporto servendosi della brugola da 4 mm in dotazione e riposizionare lo schienale alla profondità desiderata. Nota: Se lo schienale deve essere riposizionato, prima di rimettere le viti si raccomanda vivamente di applicare alla staffa e alle filettature delle viti un frenafilietti adeguato di media intensità, per es. loctite 243. Stringere le viti con una coppia di serraggio di 2,8 - 4 Nm.

⚠ AVVERTENZA

Dopo avere apportato le regolazioni desiderate, assicurarsi che i supporti siano ben stretti e lo Schienale J3 sarà pronto per l'uso.

⚠ AVVERTENZA

Per assicurare la massima sicurezza di montaggio, inserire il perno di blocco prima di usare lo schienale, (Fig. 14 & 15).



Sistema di aggancio compatto –
2 impostazioni di profondità

Fig. 11

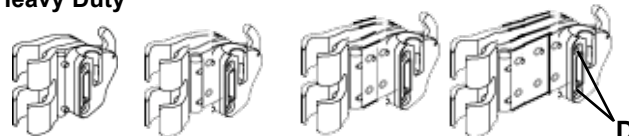


Profondità 1

Profondità 2

Sistema di aggancio compatto
Heavy Duty

Fig. 12

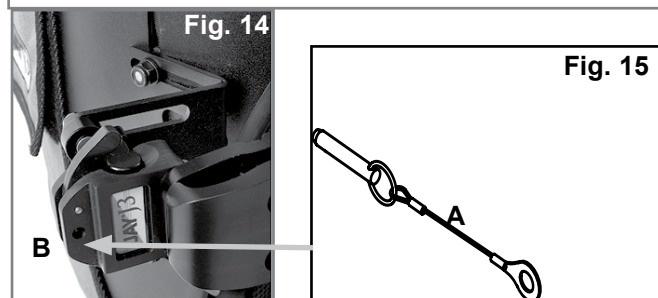
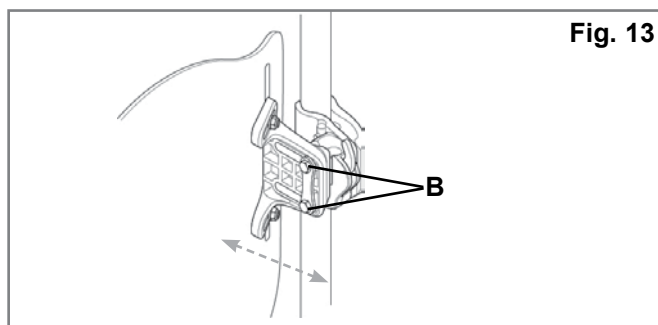


Profondità 1

Profondità 2

Profondità 3

Profondità 4

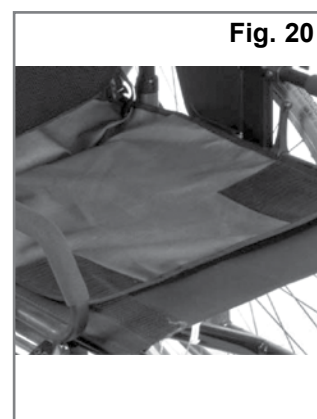


APPLICAZIONE DELLA VANITY FLAP

1. Sollevare il risvolto superiore della fodera dello Schienale J3 (Fig. 17)
2. Far combaciare le due parti del velcro e attaccare la Vanity Flap alla parte posteriore della fodera dello Schienale J3 (Fig. 17). Riposizionare il risvolto superiore della fodera in modo che la Vanity Flap si trovi tra i due risvolti superiore e inferiore (Fig. 18).
3. Togliere il cuscino dal sedile della carrozzina e inserire l'estremità della Vanity Flap tra la superficie di supporto della carrozzina e il cuscino del sedile (Fig. 20).
4. Regolare la Vanity Flap secondo le necessità spostando l'estremità più in dentro o più in fuori sotto il cuscino. Se necessario, si può spostare anche la parte superiore della Vanity Flap più in alto o più in basso sullo schienale.
5. Inserire le cinghiette in velcro negli anelli corrispondenti sulla Vanity Flap, quindi farle passare attorno al telaio della carrozzina e richiuderle congiungendo le due estremità maschio-femmina (Fig. 21). Stringere bene per eliminare le fessure esterne sulla Vanity Flap (Fig. 22).

Borsa per il trasporto opzionale

NOTA: È disponibile una borsa per il trasporto opzionale, da applicare al pannello posteriore (Fig. 16).



Applicazione della Vanity Flap dello Schienale J3 completata

COMPONENTI PER IL POSIZIONAMENTO

I componenti per il posizionamento sono stati ideati per garantire un perfetto supporto ergonomico in uno schienale di serie. (A seconda dei Paesi, gli schienali possono già essere dotati di componenti per l'allineamento della colonna vertebrale). Per montare i componenti per il posizionamento, attenersi alle istruzioni riportate di seguito.

1. Montaggio dei componenti per il posizionamento

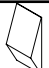

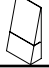


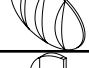



- a. Chiedere all'utente di non applicare pressione sullo Schienale J3 e di sporgersi e scivolare parzialmente in avanti se possibile.
- b. Staccare il nastro di velcro dalla linguetta superiore della fodera (Fig. 24) e sollevare la fodera in avanti per scoprire il guscio dello schienale J3.
- c. Sistemare i componenti per il posizionamento sul velcro all'interno del guscio (Fig. 25) e riattaccare la linguetta superiore della fodera. Abbassare la fodera assicurandosi che la cucitura superiore sia allineata con la parte superiore del guscio. Se la cucitura non è allineata, allentare la parte inferiore della fodera (Fig. 26).
- d. Chiedere all'utente di verificare se lo schienale, su cui sono stati montati i componenti per il posizionamento, è comodo e fornisce un supporto adeguato. In caso negativo ripetere le operazioni a - c.
- e. È possibile configurare e combinare i componenti per il posizionamento in diversi modi. Se sono necessari dei componenti in forme o dimensioni diverse, contattare il fornitore autorizzato Sunrise Medical.

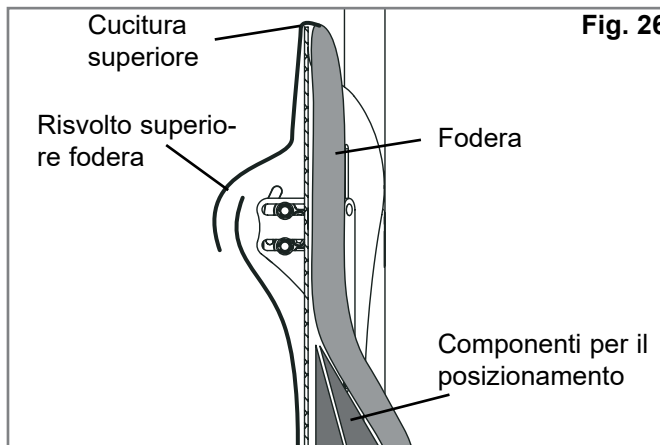
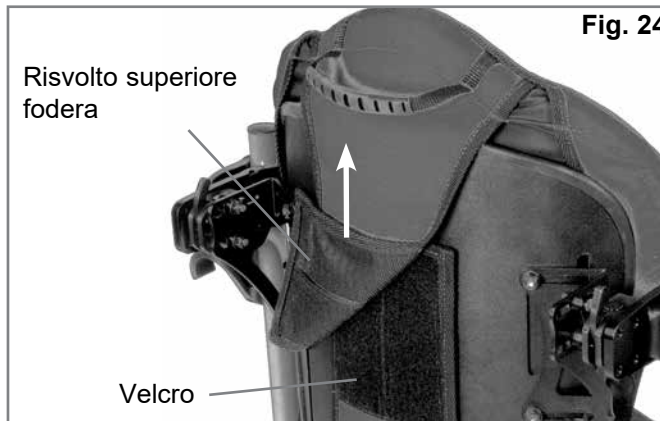
NOTA: se sono necessarie ulteriori informazioni sul sistema di allineamento della colonna vertebrale J3, visitare il sito Web www.sunrisemedical.com.

Il montaggio dello Schienale J3 è terminato.

ACCESSORI J3

Se sono stati ordinati degli accessori per lo Schienale J3, ad esempio sostegni laterali, appoggiatesta o cinghie, consultare le relative istruzioni per il montaggio.

Componenti per il posizionamento	
Supporto lombare grande	
Supporto lombare piccolo	
Cuneo	
Imbottitura sagomata	
Imbottitura piana	
Supporto pelvico posteriore/laterale	
Piccolo cuneo laterale	
Imbottitura per deformità grande	
Imbottitura per deformità piccola	



SICUREZZA DELLO SCHIENALE IN CASO DI TRASPORTO SU UN VEICOLO A MOTORE

Lo Schienale J3 è stato sottoposto a una prova dinamica per l'uso in un veicolo a motore. Seguire le istruzioni per il montaggio, l'uso e la manutenzione fornite nel presente manuale, nonché le istruzioni per il transito riportate di seguito.

AVVERTENZA

SE NON CI SI ATTIENE ALLE ISTRUZIONI RIPORTATE SOPRA, SI POSSONO CAUSARE LESIONI GRAVI A SE STESSI O AD ALTRE PERSONE.

ISTRUZIONI

1. Se è possibile, l'utente deve trasferirsi sul sedile del veicolo ed usare il relativo sistema di ritenuta.
2. La distanza tra la parte superiore della spalla dell'utente e la parte superiore dello schienale non deve superare 16,5 cm.
3. La carrozzina deve essere etichettata per l'uso come sedile in un veicolo a motore, sottoposta a una prova dinamica secondo i requisiti delle prestazioni dello standard ISO 7176-19 e montata, usata e mantenuta in base alle istruzioni del produttore.
4. Se la seduta originale della carrozzina è stata sostituita, la nuova seduta deve essere approvata per il transito in carrozzina, montata e usata secondo le istruzioni del produttore.
5. I WTORS (Sistemi di ritenuta che permettono all'utente di rimanere seduto in carrozzina anche nel caso di transito su veicolo a motore) devono essere compatibili con la carrozzina specifica, usati secondo le istruzioni del produttore e conformi ai requisiti delle prestazioni dello standard ISO 10542.
6. Durante il trasporto la carrozzina deve essere rivolta in avanti.
7. Per ridurre le potenziali lesioni agli occupanti del veicolo, gli accessori montati sulla carrozzina, quali tavolino e respiratore, devono essere rimossi e fissati separatamente.
8. Questo prodotto è inteso per l'uso da parte di adulti che pesino tra 35 kg e 136 kg.
9. Non usare i dispositivi per il supporto posturale, ad esempio le cinture pelviche oppure i sostegni anteriori o laterali del tronco, come sistemi di ritenuta in un veicolo in movimento a meno che non siano conformi allo standard ISO 16840-4.
10. Non effettuare alterazioni o sostituzioni sulla struttura, sulle parti o sui componenti, senza aver prima consultato il produttore.

RIMOZIONE E RIPOSIZIONAMENTO

Rimozione

Dopo l'installazione e la regolazione, lo schienale potrà essere facilmente rimosso dalla carrozzina se necessario. Per rimuovere lo schienale, spingere le leve di sblocco in avanti per sbloccarlo (Fig. 27). Quindi sollevare lo schienale (Fig. 28) usando la maniglia situata nella parte superiore.

Riposizionamento corretto dopo la rimozione

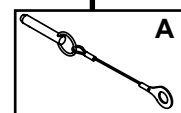
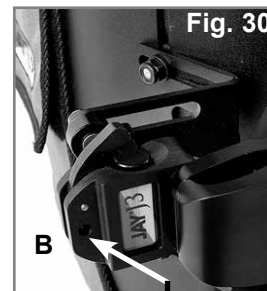
Per riposizionare lo schienale, allineare i perni ai supporti e inserirli (Fig. 29). Se inseriti correttamente, i perni scattano in posizione di blocco.

⚠ AVVERTENZA

Se non si è sicuri di avere udito lo scatto di blocco, sollevare lo schienale usando la maniglia per verificare che sia bloccato saldamente.

Perni di blocco (Fig. 30)

Lo Schienale J3 è dotato di due perni di blocco che, quando sono inseriti, ne impediscono il distacco dalla carrozzina. Per bloccarlo, inserire i perni (A) nei supporti (B). Se, invece, si desidera poterlo estrarre rapidamente, rimuovere i perni.



CONTROINDICAZIONI:**⚠ AVVERTENZA**

Non usare né prescrivere questo schienale per utenti di peso superiore alla portata massima indicata.

RIUTILIZZO:**⚠ AVVERTENZA**

- **Rischio di lesioni**
- **Prima che venga riutilizzato da un altro utente, fare controllare il prodotto da parte di un rivenditore Sunrise Medical per escludere la presenza di danni o segni di usura. Se si rilevano dei danni, NON UTILIZZARE QUESTO PRODOTTO.**
- **La mancata osservanza di queste avvertenze può causare lesioni gravi.**

Questo prodotto è idoneo per il riutilizzo*:

- fare ispezionare il guscio, il sistema di aggancio, la schiuma e la fodera da parte di un rivenditore autorizzato Sunrise Medical per escludere la presenza di danni o segni di usura. Se si rilevano dei danni, non riutilizzare il prodotto.
- Pulire e disinfettare il guscio, il sistema di aggancio, la schiuma e la fodera secondo le normative locali vigenti. Per assistenza, contattare l'ufficio di controllo competente.
- Dopo la pulizia e la disinfezione, fare ispezionare nuovamente il guscio, il sistema di aggancio, la schiuma e la fodera da parte di un rivenditore autorizzato Sunrise Medical per verificare che la procedura di pulizia/disinfezione non abbia causato danni.

⚠ AVVERTENZE:

- **La mancata osservanza delle istruzioni di riutilizzo può causare lesioni gravi all'utente.**
- **Quando viene destinato al riutilizzo da parte di un nuovo utente, questo prodotto deve essere adattato e regolato da parte di un rivenditore autorizzato Sunrise Medical o da un tecnico competente per garantire il massimo comfort.**

GARANZIA LIMITATA DI 24 MESI

GARANZIA LIMITATA DI 24 MESI

Tutti gli Schienali J3 vengono attentamente esaminati e sottoposti a prove per garantirne le prestazioni ottimali. Tutti gli Schienali J3 sono garantiti privi di difetti di materiale e di fabbricazione per un periodo di 24 mesi dalla data di acquisto, in condizioni di utilizzo normale. Qualora si dovesse riscontrare un difetto di materiale o di fabbricazione nei 24 mesi successivi alla data di acquisto originale, Sunrise Medical effettuerà, a propria discrezione, la riparazione o la sostituzione gratuita. La presente garanzia non copre forature, strappi o bruciature, né la fodera estraibile del cuscino.

La riparazione o la sostituzione delle parti in garanzia saranno eseguite da un tecnico o da un rivenditore autorizzato Sunrise Medical. Ad eccezione delle garanzie esplicite riportate nel presente manuale, sono escluse tutte le altre garanzie, comprese le garanzie implicite di commerciabilità e le garanzie di idoneità per scopi specifici. Non esistono garanzie che vadano oltre la descrizione riportata nella presente garanzia. L'unico rimedio in caso di violazione delle garanzie esplicite definite nel presente manuale è la riparazione o la sostituzione della merce. In nessun caso i danni risultanti dalla violazione della garanzia includeranno gli eventuali danni conseguenti o supereranno il costo della merce non conforme venduta.

Sunrise Medical rekommenderar att en läkare eller arbetsterapeut med stor erfarenhet av sitsar och positionering i rullstol, rådfrågas för att avgöra om ett J3 ryggstöd är lämpligt.



VARNING!

Ryggstöd skall endast installeras av:

- behörig Sunrise Medical-leverantör
- en kvalificerad och kompetent yrkesperson inom hälsovård som har genomgått lämplig utbildning antingen av sunrise medical eller en godkänd leverantör.

AVSETT BRUK FÖR JAY J3-RYGGDYNA

JAY J3-ryggdyna är avsett att passa som stöd för ryggen för en bred grupp rullstolsanvändare. Det är utformat för att ge enkelt, bekvämt och effektivt stöd som bidrar till att fungera i vardagen så att brukaren kan sitta längre perioder. Det är lätt, mycket hållbart och enkelt att använda.

Ryggstödet kan monteras på ett stort antal rullstolar.

Högsta användarvikt:

136 kg – Standardfäste (och äldre fästen)

227 kg – Förstärkta fästen

Den beräknade livslängden för ryggstödet är 4 år.



VARNING

Montering av ryggstöd på en rullstol kan påverka rullstolens tyngdpunkt och kan leda till att den tipsar bakåt med risk för ev. personskada.

Undersök alltid om det finns behov av tipskydd eller behov av amputationsblock vilket skulle kunna förbättra stabiliteten.



VARNING

Använd ej J3 ryggdyna för att skjuta på eller lyfta rullstolen. Felaktig användning kan få ryggstödet att oväntat lossa från rullstolen.



VARNING

Använd inte J3 rygghandtag för att lyfta rullstolen. Det är endast avsett för avlägsnande av ryggstödet.



VARNING

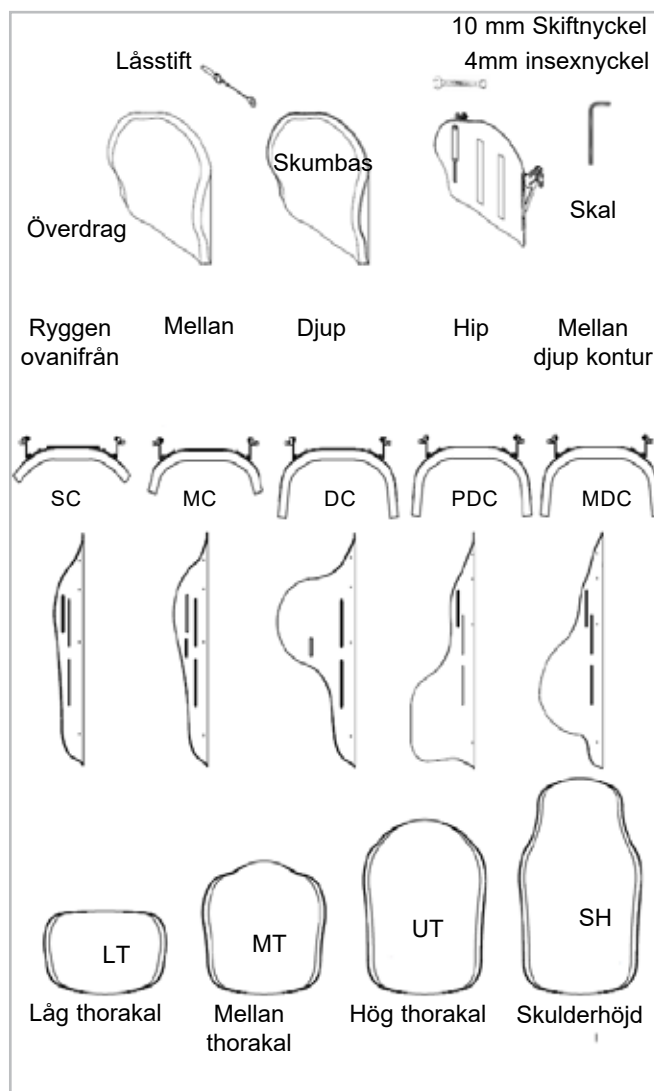
Vårdslöshet kan leda till eldsvåda.



VARNING

Läs bruksanvisningen före användning.

J3 RYGGSTÖD



UNDERHÅLL

Sunrise rekommenderar att alla fästanordningar kontrolleras med avseende på slitage hos exempelvis lösa bultar eller trasiga komponenter var 6:e månad. Lösa fästelement dras åt enligt monteringsanvisningarna. Alla beslag ska dras åt med, i monteringsanvisningen, angivet moment. Kontakta omedelbart din auktoriserade Sunrise Medical-leverantör om någon del är trasig och behöver bytas ut. Använd inte hjälpmedel som du konstaterat har lösa eller trasiga delar.

ENKEL RENGÖRING

OBS:

När ryggstödet tas isär för rengöring, anteckna läget för Velcro® ryggradsupprikningsdelen så att den kan sättas tillbaka korrekt.

Rengöring av ryggdynans överdrag

Avlägsna överdraget genom att dra isär kardborren. Lossa överdraget från ryggskalet. Leta upp och öppna blixtlåset i överdragets botten. Ta ut skumgummit och vänd överdraget ut och in. Dra för säkerhets skull igen dragkedjan för att undvika revor. Maskintvätta i varmt vatten (60° C) Droptorka eller tumla torrt på låg värme.

OBS:

- Överdraget får inte kemtvättas eller rengöras i industriella tvätt- och torkmaskiner.
- Autoklavera inte med ånga.
- Använd inte blekmedel.






Sätt tillbaka skumgummit i överdraget. Observera att basen har två skumlager. Säkerställ vid insättandet att det tunnare "ljusgrå" skummet är vänt mot skalet. När skummet är säkrat i överdraget, stängs det med blixtlåset.

Rengöring av ryggskalet

Ryggskalet skall torkas rent med tvål och vatten. Det krävs ej något ytterligare underhåll.

Rengöring av positioneringskomponenter

Positioneringskomponenter kan torkas rena med trasa och tvål & vatten. Doppa inte positioneringskomponenter i vatten. Om du har ytterligare frågor om rengöringsprocedurer, kontakta er hjälpmedelscentral.

Tvättsymboler	
	Maskintvätta i varmt vatten (60° C)
	Endast klorfritt blekmedel, vid behov
	Droptorka
	Stryk inte
	Kemtvätta inte

FASTSTÄLLANDE AV KOMPATIBILITET

Rullstolstyper

J3 ryggdyna är avsett att vara kompatibel med de flesta rullstolar, med följande undantag:

Rullstolar, som är justerbara i vinkel, fälls tillbaka eller tillas med ett resultat där ryggstödvinkeln blir större än 60 grader, skall ej användas.

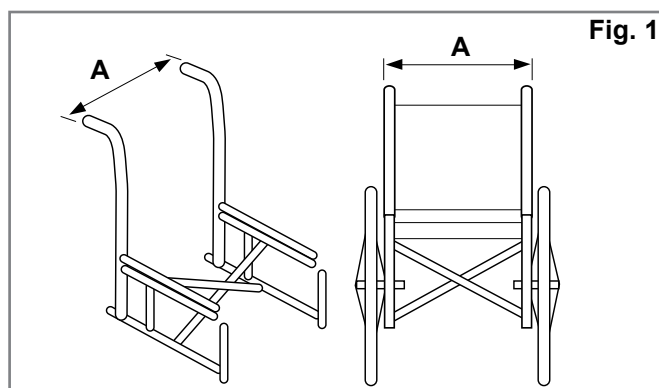
⚠ VARNING

Användning av sådana typer av rullstolar kan leda till att ryggstödet av en händelse lossnar från rullstolen och resulterar i fall och risk för allvarlig personskada.

Rullstolsdimensioner

J3-ryggdyna är avsett att ersätta rullstolens ryggklädsel. Fastställ före installation om den använda rullstolen har kompatibla ryggrör genom att mäta bredden mellan dina ryggrör, som visat i figur 1. Använd detta mått, studera tabell 1 och fastställ om ryggstödet passar din rullstol.

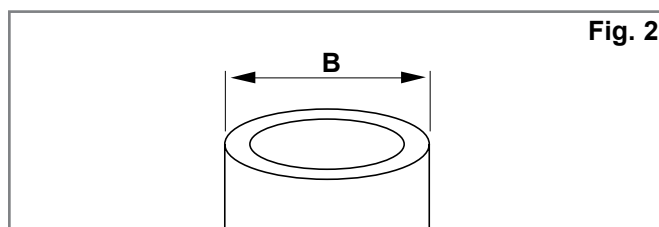
Kontrollera därefter om ryggrören har jämförbar diameter. J3 ryggdynefasten kan monteras på rullstolsryggrör med bredd från 1,9 cm till 2,85 cm. Mät ryggrördiametern (Fig. 2) och se tabell 2 för kontroll av att ryggrören är kompatibla. Om du inte kan fastställa att ryggrören är kompatibla skall kontakt tas med auktoriserad återförsäljare av Sunrise Medicals produkter eller med deras kundservice.



Tabell 1

J3 Ryggdyna, bredd* (alla konturer)	Bredd på ryggrör, från utsida till utsida av rören, (Fig. 1-A)			
	Min. bredd		Max. bredd	
	tum	cm	tum	cm
12" 31 cm	11,7	29,7	14,3	36,3
14" 36 cm	13,7	34,9	16,3	41,3
16" 41 cm	15,7	40,0	18,3	46,4
18" 46 cm	17,7	45,1	20,3	51,6
20" 51 cm	19,7	50,1	22,3	56,5

* Ryggbredden är angiven i ryggstödet artikelnummer. Exempel: J3SCMTS36 är ett 36 cm ryggstöd.



Tabell 2



J3 Back Width (all contours)	Rördiameter (Fig. 2-B)			
	Min. bredd		Max. bredd	
	tum	cm	tum	cm
14-20" (36-51cm)	3/4	1,9	1-1/8	2,85

MONTERING AV FÄSTDETALJER

Läs följande instruktioner innan montering påbörjas.

Vid montering av J3 ryggdyna är det bäst att börja utan brukaren sittande i rullstolen. När monteringen är klar och smärre injusteringar behövs kan brukaren sättas tillbaka i rullstolen.

Verktyg som behöver (medföljer J3 ryggdyna)*

- 4mm insexnyckel 
- 10mm blocknyckel 

OBS:Varhelst vridmomentsinställningar specificeras, rekommenderas det att en momentmätare (ingår inte i JAY J3 ryggen) används för att verifiera att korrekt specifikation av vridmoment uppnås.

Instruktioner för montering av fästena (Fig. 3, 4, 5)

Gäller för alla fästen (standard, förstärkta och äldre fästen).

1. Demontera rullstolens befintliga ryggstöd enligt tillverkarens instruktioner.
2. Fastställ önskad placering för fästena på stolens ryggrör. Monteringsfästena bör vara på ungefär samma höjd på vardera ryggrör (Fig. 3) och parallellt i förhållande till sitsramen, (Fig. 4). Högre placering på ryggrören är generellt bättre.
3. Montera fästena. (Fig. 5)
 - a. Lossa tvingskruvarna (A) med medföljande 4 mm insexnyckel. OBS – För grövre rördiametrar kan tvingskruvarna behöva skruvas ur helt.
 - b. Montera och rikta upp fästena på ryggrören (B).
 - c. Handdra tvingskruvarna (A). OBS – Hållarna kan behöva ytterligare lateral justering för säkerställande av korrekt uppriktning.

Montering och uppriktning av J3 ryggstödsskal (Fig. 6)

- a. Lossa muttrarna (C) och monteringsstiftets muttrar (F) med 10 mm blocknyckeln så att fästet kan föras fritt i alla riktningar.
- b. Montera J3 ryggdyna på fästena genom att sticka in vänster och höger monteringsstift (D) i respektive hållare (E).
- c. Sätt ryggstödet på plats.
- d. Handdra muttrarna på insidan av monteringsstift (F). OBS – Ryggstödet djup och vinkel kan behöva ytterligare justering för att säkerställa korrekt anpassning för användaren.
- e. Handdra muttrarna (C). OBS – Ryggstödshöjden kan kräva ytterligare justering för att säkerställa korrekt anpassning för användaren.
- f. Testa frigöringen genom att trycka frigöringspakarna framåt och ta bort ryggstödet från stolen. (Se avsnittet om borttagande och utbyte för mer information.) Korrekt uppriktning av fästena och ryggstöd är uppnått när friktionsfri anslutning och utlösning lätt kan utföras.
- g. Om korrekt uppriktning inte föreligger, justera komponenterna till dess att de riktats upp korrekt.
- h. När korrekt uppriktning uppnåtts, dra åt alla skruvar. Rekommenderat åtdragningsmoment är 75 - 85 in-lbs (8,5 - 9,3 Nm).

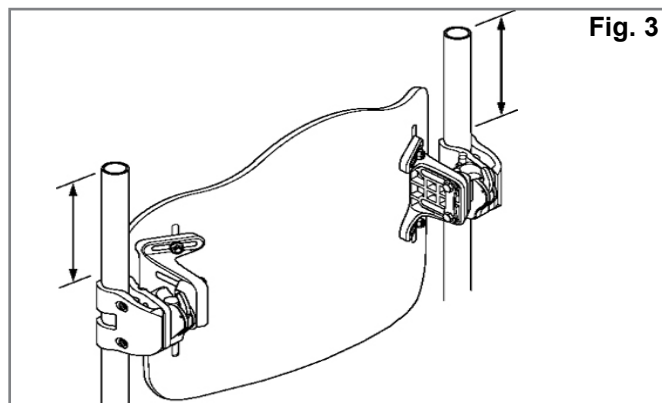


Fig. 3

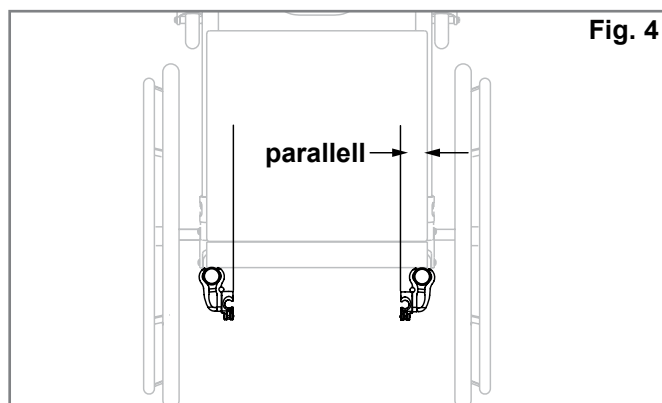


Fig. 4

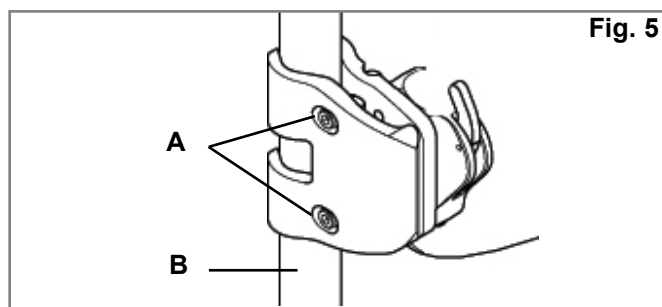


Fig. 5

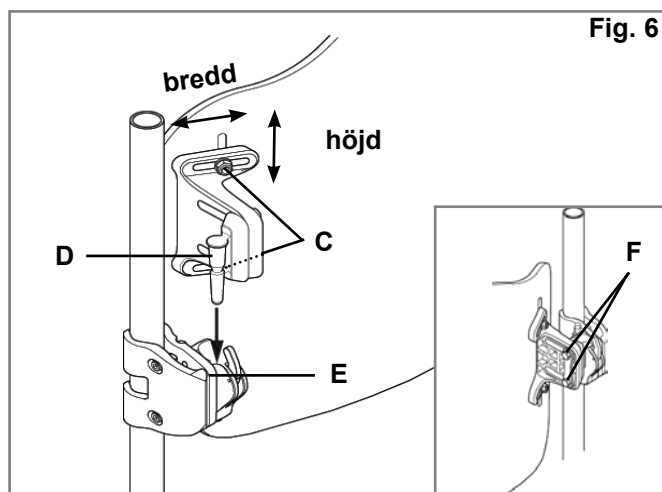


Fig. 6

JUSTERING AV HÖJD, DJUP OCH VINKEL FÖR J3

Den första fasen av monteringen för J3 ryggstöd är nu avklarad. Det är nu rätt tid att låta användaren sätta sig i stolen för personlig anpassning av ryggstödet. Låt inte användaren anlägga fullt tryck på ryggstödet, eftersom det inte ännu är åtdraget med fullt moment.

1. Höjdjustering (Fig. 10)

- Fastställ önskad höjd för ryggstödet med användaren sittande i stolen. När rätt höjd hittats, be brukaren om möjligt luta sig något framåt för att lätta trycket på stödet så att justering kan utföras.
- Lossa muttrarna (A) och justera höjden för ryggstödet till önskat läge.
- Dra åt muttrarna (A) ordentligt. Rekommenderat åtdragningsmoment är 75 - 85 in-lbs. (8,5 - 9,3 Nm).

OBS: Kontrollera efter höjdjusteringen att bredden inte oavsiktligt ändrats.

2. Justering av djup/vinkel (Fig. 11, 12 och 13)

Lägg märke till att det finns två typer av fästen som kan beställas – standard fixturer (fig. 11) eller de längre, justerbara fästen (Fig. 12). Båda satserna justeras på samma sätt, men standard medger 5 cm justermån (fig. 11) medan de längre, justerbara, fästena medger totalt 8,5 cm justering i djupled (Fig. 12).

- För justering av J3 ryggstöds djup och vinkel lossas muttrarna (Fig. 13-B) i spåren.
- Justera djup och/eller vinkel och dra åt ordentligt. Rekommenderat åtdragningsmoment är 100 - 110 in-lbs. (11,3 - 12,4 Nm). Säkerställ att ingen av djupjusteringsmuttrarna (Fig. 13-B) slirar eller vrids.
- Om ytterligare djup krävs, lyft av ryggstödet. Skruva ur bultarna (Fig. 11-D, 12-D) från hållarna med den medföljande 4 mm insexnyckeln och omplacera vid önskat djup. Obs: Före omplacering av skruvarna rekommenderas en lämplig medelstark gänglåsning, t.ex. rekommenderas loctite 243 starkt för hållare och skruvspår, om ryggstödet behöver omplaceras. Handdra skruvarna till 25-35 in-lbs. (2,8 - 4 Nm).

⚠ VARNING

Säkerställ att alla fixturer är korrekt åtdragna sedan alla justeringar utförts, sedan är ryggstöd J3 klart att användas.

⚠ VARNING

För att säkerställa optimal säkerhet för ryggstödet, ska låsstiftet föras in innan ryggstödet kan användas, (Fig. 14 och 15).

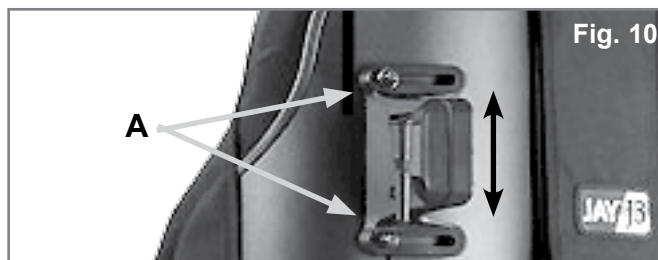


Fig. 10

Standardfäste – 2 djupinställningar

Fig. 11

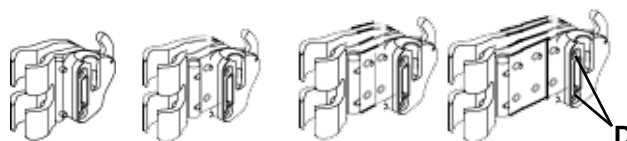


Djup 1

Djup 2

Förstärkta fästen

Fig. 12



Djup 1

Djup 2

Djup 3

Djup 4

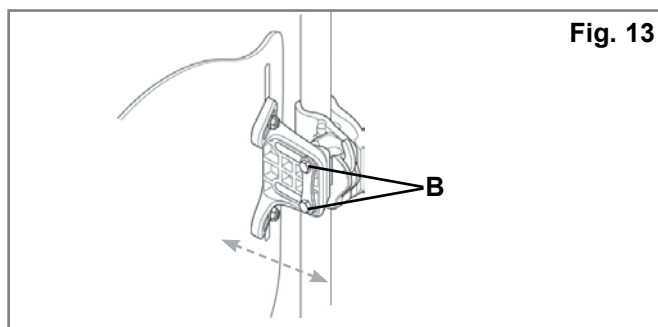


Fig. 13

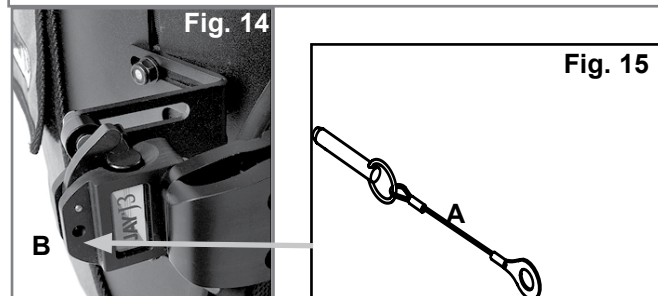


Fig. 14

Fig. 15

SKYDDSÖVERDRAG INSTALLATION

1. Lyft upp övre överdrag från J3-ryggdynans överdrag (Fig. 17)
2. Fäst krok till band och fäst skyddsöverdragets på baksidan på J3-ryggdynans överdrag (Fig. 17). Ompositionera det övre överdraget och täck mellanrummet mellan övre och nedre överdrag med skyddsöverdragets (Fig. 18).
3. Avlägsna sittdynor från rullstol och täck skyddsöverdragets "svans" mellan rullstolens stödyta och sittdyna (Fig. 20).
4. Justera skyddsöverdrag enligt behov genom att dra svansen in eller ut från sitsdynan. Flytta vid behov den övre delen av skyddsöverdraget uppåt eller nedåt på ryggstödet.
5. För in spännet genom lämpliga öglor på skyddsöverdragets, fäst sedan kring rullstolens ram och för in änden genom springan (Fig. 21). Surra och stäng luckor på skyddsöverdragets utsida (Fig. 22).

Förvaringsväska som tillval

OBS: Det finns en förvaringsväska tillgänglig som tillval för att fästa på skyddsöverdragets, (Fig. 16).



Fig. 17



Fig. 18



Fig. 19

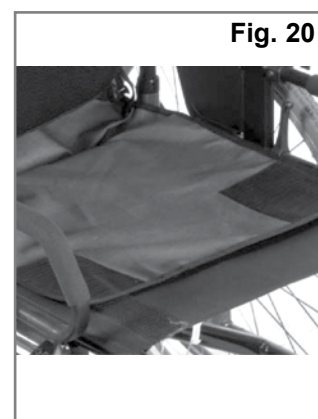


Fig. 20



Fig. 21



Fig. 22



Fig. 16



Fig. 23

Avslutad montering av J3-skyddsöverdrag

RYGGGRADSUPPRIKTANDE POSITIONERINGSKOMPONENTER

Positioneringskomponenter är designade för att ge format extra stöd inne i ett standardryggstöd. (Beroende på marknad kan positioneringskomponenter vara inkluderade med ryggstödet.) Läs följande anvisningar för montering av positioneringskomponenter.

1. Montering av positioneringskomponenter



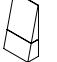
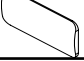



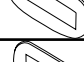

- Låt brukaren avlasta trycket från ryggstödet genom att om möjligt luta sig lite framåt.
- Lossa kardborreremman på övre överdragslocket (Fig. 24) och lyft överdraget framåt för att blotta insidan av ryggstödet J3.
- Placera positioneringskomponenten(erna) på kardborren inuti skalet (Fig. 25) och fäst överdraget igen. Dra ned, säkerställ att övre sömmen är i linje med skalets topp. Om sömmen inte kan riktas upp kan nedre delen av höljets behöva lossas (Fig. 26).
- Låt användaren testa aktuell inställning av positioneringskomponenterna för komfort och stöd, upprepa stegen a – c till dess att inställningen är fullbordad.
- Multipla konfigurationer och kombinationer av positioneringskomponenterna kan användas. Om fler former och storlekar behövs, kontakta er återförsäljare eller Sunrise Medical.

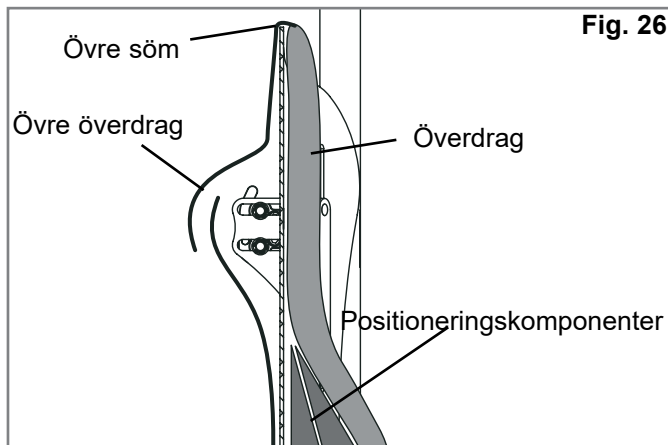
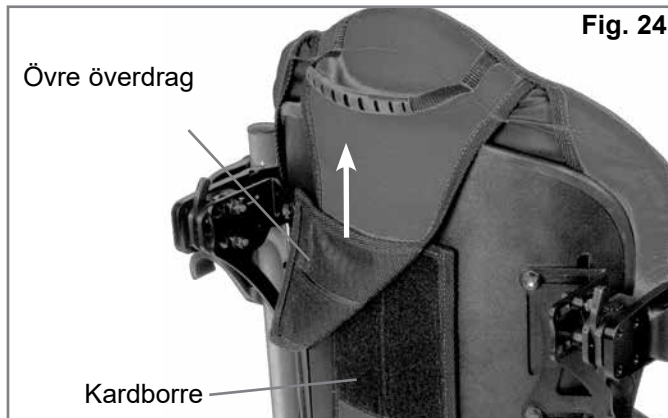
OBS: Om du behöver mer information om J3 positioneringssystem, se vår animering på www.sunrisemedical.com.

Montering av ryggstöd J3 är fullbordad.

J3 TILLBEHÖR

Om du har beställt J3 tillbehör, som lateraler, huvudstöd eller selar, se våra monteringsanvisningar för dessa.

Positioneringskomponenter	
Stor lumbalstöd	
Liten lumbalstöd	
Kil	
Krökt kil	
Platt kil	
Posterior/Lateralstöd	
Lateral kil	
Stor bönpåse	
Liten bönpåse	



RYGGSTÖD: TRANSPORTSÄKERHET

J3 ryggen har blivit dynamiskt testad för användande i motorfordon. Följ alla anvisningar för montering, användning och underhåll i denna handbok liksom transportinstruktionerna nedan.

⚠ VARNING

**UNDERLÅTENHET ATT FÖLJA DESSA VARNINGAR
KAN LEDA TILL ALLVARLIGA PERSONSKADOR HOS
RULLSTOLENS BRUKARE ELLER ANDRA.**

INSTRUKTIONER

1. Avståndet mellan övre delen av brukarens skuldra och den övre delen av ryggskalet får inte överskrida 7,6 cm.
2. Avståndet mellan toppen av rullstolsanvändarens axlar och toppen av ryggstödet ska inte överstiga 16,5 cm.
3. Rullstolen måste vara märkt som lämpad för bruk som säte i ett motorfordon, dynamiskt testad, uppfyllande prestandakraven i ISO Standard 7176-19 samt vara monterad och underhållen enligt tillverkarens instruktioner.
4. Om det ursprungliga rullstolsätet ersatts måste det nya vara godkänt för transport i fordon, samt vara monterat och användas enligt tillverkarens instruktioner.
5. Rullstolens system för fästande och användarsäkerhet ska vara kompatibelt med den specifika rullstolen, användas som angivet i tillverkarens instruktioner och ska uppfylla kraven i ISO Standard 10542.
6. Rullstolen måste vara vänd framåt under transport.
7. För att reducera risken för personskador hos fordonets passagerare ska rullstolstillbehör som bricka eller respirator tas lös och säkras separat.
8. Denna produkt är avsedd att användas av vuxna som väger mellan 35 kg och 136 kg.
9. Hållningsstöd som höftpositioneringsbälten, främre bälstöd osv. ska inte användas som säkrande av en användare i ett fordon i rörelse, annat än om de är märkta som uppfyllande ISO Standard 16840-4.
10. Förändringar av struktur, delar eller komponenter skall inte utföras utan samråd med tillverkaren.

BORTTAGNING OCH OMLACERING**Avlägsna**

Efter montering och justering kan ryggstödet enkelt avlägsnas från rullstolen vid behov. Avlägsna genom att trycka vardera frigöringsspaken framåt för upplåsning (Fig. 27). När båda spakarna är i främre läget lyfts ryggstödet rakt upp (Fig. 28) handtaget överst på ryggstödet.

Korrekt återfästning efter borttagande

Fäst ryggstödet i hållarna genom att rikta upp stiften och trycka på plats (Fig. 29). Om korrekt satt "klickar" stiften in i det låsta läget.

⚠ VARNING

Om du inte säkert hört låsklicket, dra i ryggstödshandtaget för en kontroll.

Låsstift (Fig. 30)

Ryggstödet J3 levereras med två låsstift som, när säkrade, hindrar att ryggstödet lossas från stolen. Lås genom att sticka in stiften (A) i hållarna (B). Dra ut stiften om snabb frigöring önskas.



Fig. 27



Fig. 29



Fig. 28

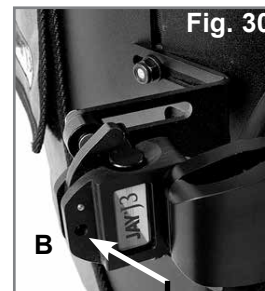
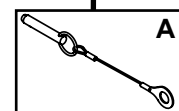


Fig. 30



BEGRÄNSNINGAR:**⚠ VARNING**

Använd inte detta ryggstöd för någon som överskrider den angivna maximala användarvikten.

ÅTERVINNING / ÅTERANVÄNDNING:**⚠ VARNING**

- Skaderisk
- Använd alltid en auktoriserad Sunrise Medical återförsäljare som inspekterar produkten för skada eller förslitning innan den övergår till annan brukare. Om någon skada påträffas, **ANVÄND EJ DENNA PRODUKT**.
- Om dessa varningar ej åtföljs kan det leda till allvarliga skador.

Denna produkt är lämplig för återanvändning*:

- Be att en auktoriserad Sunrise Medical återförsäljare inspekterar skalet, monteringsfästen och överdrag för skada eller förslitning. Om någon skada påträffas, återanvänd ej.
- Rengör och desinficera skalet, monteringsfästernas skum och överdrag i enlighet med lokala förordningar. Se ditt lokala infektionskontrollkontor för råd.
- Efter rengöring och desinficering, se till att en auktoriserad Sunrise Medical återförsäljare återinspekterar skal, fästen, skum och överdrag för att säkerställa att rengöring/disinficeringsprocessen inte orsakar någon skada.

⚠ VARNINGAR:

- Skulle dessa instruktioner inte åtföljas kan detta leda till svåra skador på brukaren.
- Vid återanvändning bör denna produkt anpassas och monteras av en auktoriserad Sunrise Medical återförsäljare eller kliniker.

24 MÅNADERS BEGRÄNSAD GARANTI**24 MÅNADERS BEGRÄNSAD GARANTI**

Varje JAY J3-ryggstöd är noggrant inspekterat och testat för att ge bästa prestanda. Varje JAY J3-ryggstöd är garanterat fritt från defekter i material och utförande under en period på 24 månader från inköpsdatum, vid normalt bruk. Om en brist i material eller utförande skulle uppstå inom 24 månader från det ursprungliga inköpsdatumet så kommer Sunrise Medical, efter eget val, att reparera eller ersätta dynan kostnadsfritt. Denna garanti gäller ej punktering, förslitning eller brännmärken och gäller ej för ryggstödsöverdraget.

Krav och reparationer ska skötas av närmaste behöriga hjälpmedelscentral. Förutom de uttryckliga garantier som angivits i detta dokument så gäller inga påstådda garantier för säljbarhet, inga garantier för lämplighet för ett visst ändamål och inga andra garantier. Garantin gäller ej utöver beskrivningen i detta dokument. Köparens enda kompensation vid brott mot de uttryckliga garantier som beskrivs i detta dokument är att varan repareras eller ersätts. Skadestånd vid brott mot någon garanti kan under inga omständigheter innefatta några följdskador eller överstiga kostnaden för den felaktiga varan.

Sunrise Medical anbefaler at du rådfører deg med en lege eller terapeut som har erfaring med setesystemer og sittebehov, for å finne ut om en J3-rygg vil dekke dine behov.

J3-RYGG

⚠ ADVARSEL!

Rygger skal kun monteres av:

- en autorisert Sunrise Medical-forhandler
- en kvalifisert og kompetent person innen helsesektoren som har mottatt riktig og sertifisert opplæring, enten av Sunrise Medical eller en godkjent representant.

BRUKSOMRÅDE FOR JAY J3-RYGGEN

JAY J3-ryggen er konstruert for å passe en rekke forskjellige rullestolbrukere. Den gir naturlig, komfortabel og effektiv støtte for å maksimere stolens funksjon og øke sittekomforten. I tillegg er ryggen lett, slitesterk og lettanvendelig.

Ryggen kan monteres på en rekke forskjellige rullestoler.

Maksimal brukervekt:

300 lbs. (136 kg) – kompakt (og gammelt standardutstyr)

500 lbs. (227 kg) – kraftig, kompakt utstyr

Ryggstøttens forventede levetid er 4 år.

⚠ ADVARSEL

Montering av en rygg kan påvirke rullestolens tyngdepunkt. Dette kan gjøre at stolen tipper bakover, som igjen kan føre til personskade.

Du bør derfor alltid vurdere bruk av tippesikringer eller amputasjonsbraketter på rullestolen for å øke dens stabilitet.

⚠ ADVARSEL

Ikke skyv eller løft rullestolen ved å holde fast i J3-ryggen. Feil bruk kan gjøre at ryggen plutselig løsner fra rullestolen.

⚠ ADVARSEL

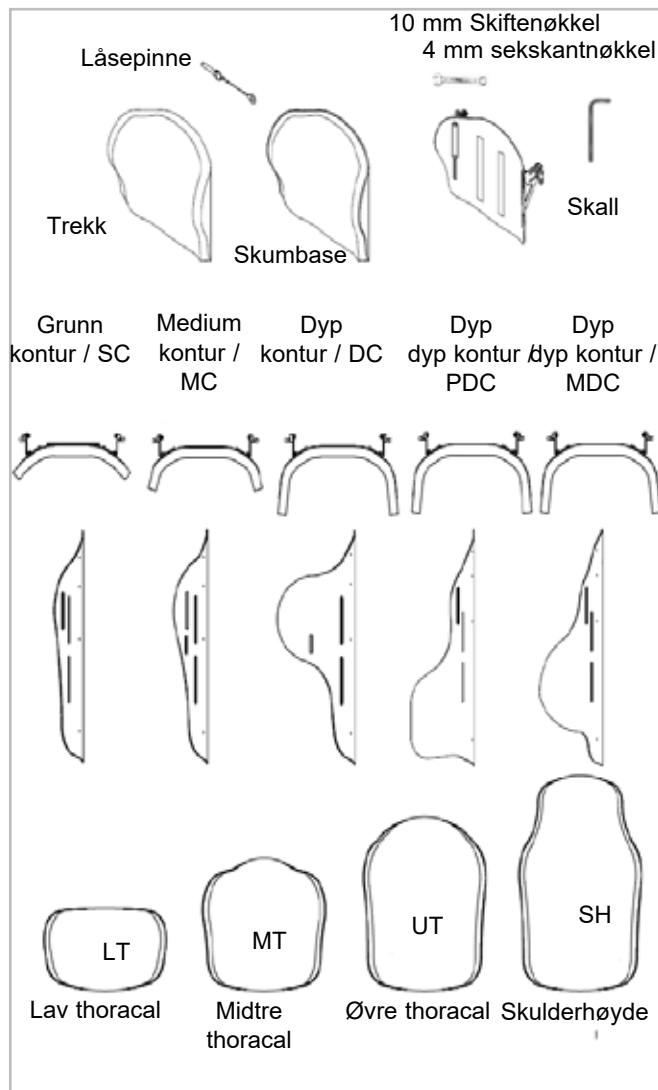
Ikke løft rullestolen ved bruk av håndtaket på J3-ryggen. Det er kun ment til å demontere ryggen.

⚠ ADVARSEL

Uforsiktighet kan føre til brann.

⚠ ADVARSEL

Les bruksanvisningen før bruk.



VEDLIKEHOLD

Sunrise anbefaler at alle fester kontrolleres for slitasje, slik som løse bolter eller skadde komponenter, hver 6. måned. Løse fester skal strammes i henhold til monteringsinstruksjonene. Alle festebraketter må strammes i henhold til spesifikasjonene beskrevet i avsnittet om montering av festebraketter. Ta kontakt med Sunrise Medical umiddelbart for å skifte ut eventuelt skadde komponenter. Du må ikke fortsette å bruke utstyret dersom du oppdager løse eller skadde komponenter.

ENKEL RENGJØRING

OPMERKING: Når du demonterer ryggen for å vaske den, merk deg hvor borrelåsen er plassert på delene, slik at du kan sette sammen ryggen igjen på riktig måte.

Vaske ryggtrekket

Ta av trekket ved å åpne borrelåsen. Fjern trekket fra ryggskallet. Finn glidelåsen nederst på trekket, og åpne den. Ta ut skumputen og vring trekket. Lukk trekket for å unngå at det henger seg fast. Maskinvask i varmt vann (60 °C) La trekket lufttørke eller i trommel på lav varme.

MERK:

- Trekket skal ikke kjemisk renses, vaskes eller tørkes i industrimaskin.
- Trekket må ikke dampes i trykkoker/autoklaveres.
- Trekket må ikke blekes.

Legg skumputen tilbake i trekket. Vær oppmerksom på at basen har to skumputelag. Når du legger tilbake skumputen, pass på at den tynne "lys grå" puten ligger ned mot skallet. Når skumputen er på plass i trekket, lukk glidelåsen.

Rengjøre ryggskallet

Skallet kan tørkes over med såpe og vann. Det er ikke nødvendig med annet vedlikehold enn dette.

Rengjøre delene

Delene kan vaskes med såpevann. Legg ikke delene i vann. Hvis du har spørsmål angående rengjøringsprosedyrene, vennligst ta kontakt med din Sunrise Medical-kontakt.

Vaskeanvisninger	
	Maskinvask i varmt vann (60 °C)
	Kun klorfritt blekemiddel.
	Lufttørkes
	Må ikke strykes
	Må ikke renses

FASTSETTE KOMPATIBILITET

Rullestoltyper

J3-ryggen er konstruert til å passe de aller fleste rullestoler, med unntak av følgende:

Ryggen skal ikke brukes på rullestoler som er vinkeljusterbare, med vippe- og tiltfunksjon hvor vinkelen på ryggen vil overstige 60 grader.

⚠ ADVARSEL

Hvis ryggen brukes på disse rullestoltypene, kan den falle av ved et uhell. Dette kan igjen gjøre at brukeren faller ut av stolen og pådrar seg personskader.

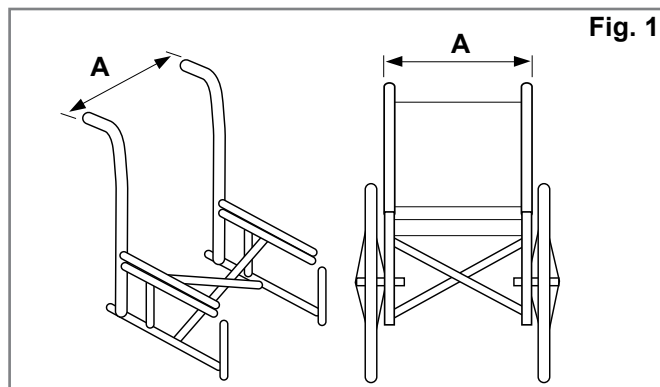
Rullestoldimensjoner

J3-ryggen er konstruert til å erstatte rullestolens ryggtrekk. Kontroller at rullestolen har compatible ryggør før du monterer ryggen, ved å måle avstanden mellom ryggørene slik vist i Figur 1. Kontroller dette målet med spesifikasjonene i Tabell 1 for å avgjøre om ryggen vil passe i rullestolen.

Kontroller at ryggørene har en kompatibel diameter.

Festebrakettene for J3-ryggen kan monteres på ryggør med en diameter på mellom 1,9 cm og 2,85 cm. Mål diameteren på ryggørene (Fig. 2) og kontroller dette målet med spesifikasjonene i Tabell 2 for å forvisse deg om at ryggørene er compatible med ryggen.

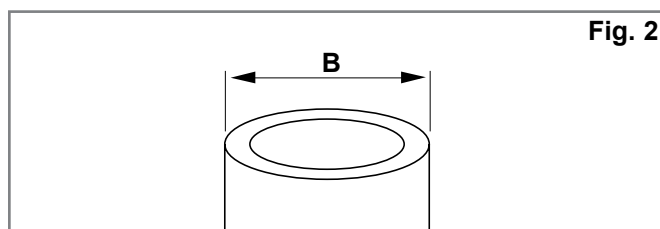
Hvis du ikke kan avgjøre om ryggørene er compatible, ta kontakt med din autoriserte Sunrise Medical-forhandler eller Sunrise Medicals kundesenter.



Tabell 1

Bredde på J3-rygg* (alle modeller)	Bredde på ryggørene, fra ytterkant til ytterkant på røret (Fig. 1-A)			
	Minimal bredde		Maksimal bredde	
	Tommer	cm	Tommer	cm
12" 31 cm	11,7	29,7	14,3	36,3
14" 36 cm	13,7	34,9	16,3	41,3
16" 41 cm	15,7	40,0	18,3	46,4
18" 46 cm	17,7	45,1	20,3	51,6
20" 51 cm	19,7	50,1	22,3	56,5

* Ryggens bredde er oppgitt i artikkelnummeret for ryggen. Eksempel: J3SCMTS36 er en rygg på 36 cm.



Tabell 2


Bredde på J3-rygg (alle modeller)	Cane diameter (Fig. 2-B)			
	Minimal bredde		Maksimal bredde	
	tommer	cm	tommer	cm
14-20" (36-51cm)	3/4	1,9	1-1/8	2,85

MONTERE FESTEBRACKETTENE

Les igjennom følgende instruksjoner før du monterer ryggen.

Når du skal montere J3-ryggen, er det best at brukeren ikke sitter i rullestolen. Når ryggen er montert og det er nødvendig å finjustere den, kan brukeren sette seg tilbake i rullestolen.

Nødvendig verktøy (leveres med J3-ryggen)*

- 4 mm sekskantnøkkel 
- 10 mm skiftenøkkel 

MERK:Når det er oppgitt et dreiemoment, anbefaler vi at du bruker en dreiemomentmåler (leveres ikke med J3-ryggen) for å kontrollere at riktig dreiemoment er oppnådd.

Montering av festebrakettene (Fig. 3, 4, 5)

Gjelder alle festebraketter (kompakt, kraftig kompakt og gammel brakett).

1. Demonter den nåværende ryggen på rullestolen i henhold til produsentens spesifikasjoner.
2. Avgjør (visuelt) i hvilken høyde du ønsker å montere festebrakettene på rullestolens ryggør. Festene skal monteres like høyt på hvert ryggør (Fig. 3) og parallell med seterammen (Fig. 4). Det er generelt bedre å montere festene høyere opp på ryggørene, fordi det er enklere å justere høyden ved å skyve ryggen nedover.
3. Fest brakettene. (Fig. 5)
 - a. skru opp klemmeskruene (A) med den medfølgende 4 mm sekskantnøkkel. OPMERKING– På rør med stor diameter, kan det være nødvendig å ta klemmeskruene helt av.
 - b. Fest og juster brakettene på rullestolens ryggør (B).
 - c. Stram klemmeskruene (A) for hånd. OPMERKING - Det kan være nødvendig å justere brakettene sideveis for best mulig tilpassing.

Feste og rette opp J3-ryggskallet (Fig. 6)

- a. Løsne mutrene på braketten (C) og monteringspinnen (F) ved bruk av den 10 mm skiftenøkkel, til festebrakettene kan beveges lett i alle retninger.
- b. Fest J3-ryggen til festebrakettene ved å sette høyre og venstre monteringspinne (D) i høyre og venstre brakett (E).
- c. Sett ryggen i beste stilling i forhold til både rullestolen og brukeren.
- d. Stram mutrene på innsiden av monteringspinnen (F) for hånd.

MERK– Det kan være nødvendig å justere ryggens dybde og vinkel ytterligere, slik at den passer brukeren best mulig.
- e. Stram brakettmutrene for hånd (C). **MERK** - Det kan være nødvendig å justere høyden på ryggen ytterligere for å sikre optimal tilpassing for brukeren.
- f. Kontroller at ryggen kan demonteres ved å skyve utløserpakene forover før du trekker ryggen ut av stolen. (Se avsnittet om montering og demontering for ytterligere informasjon). Festebrakettene er riktig montert når ryggen lett kan tas av og på stolen.
- g. Hvis festebrakettene ikke er riktig montert, må de justeres til de sitter som de skal.
- h. Når festene er riktig justert, strammer du til klemmeskruene på braketten. Det anbefalte dreiemomentet er 8,5 - 9,3 Nm.

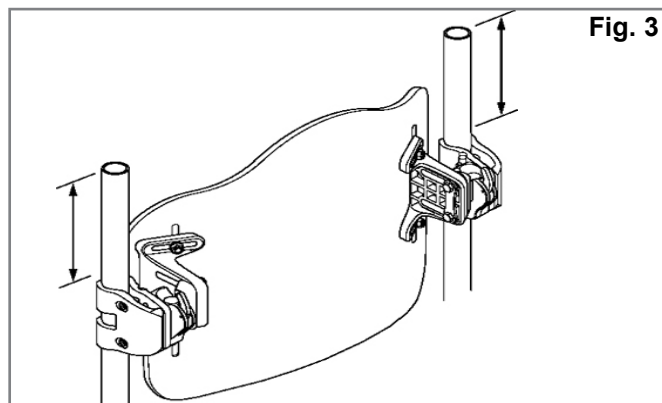


Fig. 3

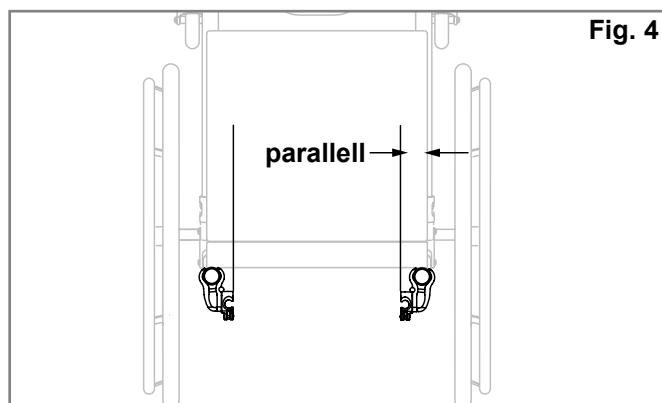


Fig. 4

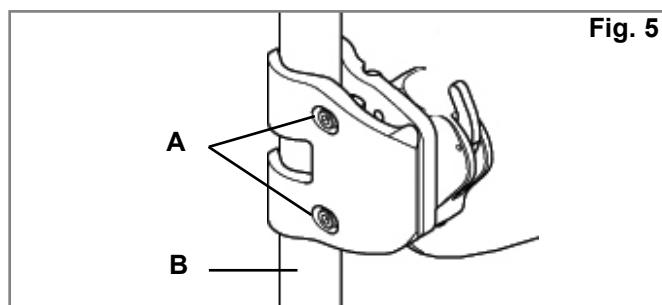


Fig. 5

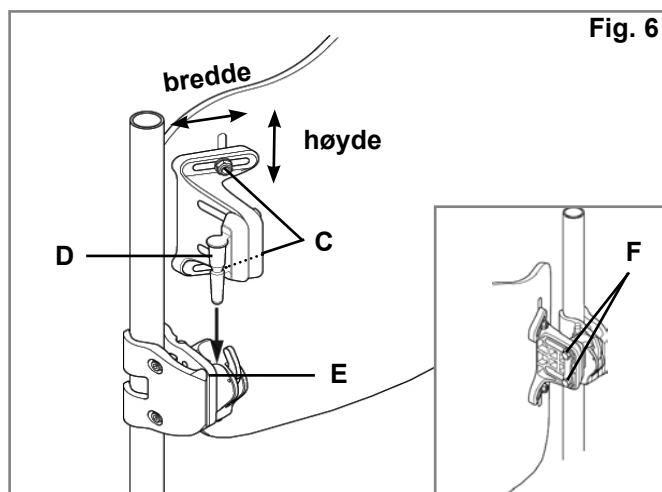


Fig. 6

JUSTERE HØYDE, DYBDE OG VINKEL PÅ J3-RYGGEN

Du har nå fullført den første monteringsfasen for J3-ryggen. Brukeren kan nå sette seg tilbake i rullestolen slik at ryggen kan tilpasses. Fordi ryggen ikke er strammet til med det nødvendige tiltrekkingsmomentet, må du ikke la brukeren lene seg tilbake med full tyngde.

1. Justere høyden (Fig. 10)

- Juster ryggen til ønsket høyde mens brukeren sitter i stolen. Når ønsket høyde er oppnådd, må du be brukeren lene eller skyve seg litt forover i setet, slik at J3-ryggen kan justeres.
- Skru opp brakettmutrene (A) og juster høyden på ryggskallet til ønsket stilling.
- Stram brakettmutrene (A) forsvarlig. Det anbefalte dreiemomentet er 8,5 - 9,3 Nm.

MERK: Når du har justert høyden, må du kontrollere at bredden på brakettene ikke har blitt endret utilsiktet.

2. Dybde-/vinkeljustering (Fig. 11, 12 og 13)

Husk at du kan bestille to typer festebraketter - standard festebraketter (Fig. 11) samt lengre, justerbare festebraketter (Fig. 12). Begge festebrakettene justeres på samme måte, men standard festebraketter vil gi en dybdejustering på 5 cm (Fig. 11), mens forlengbare (justerbare) festebraketter vil gi en dybdejustering på til sammen 8,5 cm (Fig. 12).

- For å justere dybden og vinkelen på J3-ryggen, løsner du på de høyre og venstre mutrene (Fig. 13-B) i sporet på braketten.
- Juster dybden og/eller vinkelen, og stram mutrene forsvarlig til. Det anbefalte dreiemomentet er 11,3 - 12,4 Nm. Forsikre deg om at ingen av dybdejusteringsmutrene (Fig. 13-B) kan skli eller rotere.
- Hvis det er behov for lengre setedybde, ta av ryggen. Skru ut skruene (Fig. 11-D, 12-D) på brakettene ved bruk av den medfølgende 4 mm sekskantnøkkelen, og juster til ønsket dybde. Merk: Før du setter tilbake skruene, anbefaler vi på det sterkeste at du bruker et gjengelåsemiddel med middels styrke, f. eks. Loctite 243, på mottakeren og skruegjengene, dersom ryggen skal festes på nytt. Stram skruene med et dreiemoment på 2,8 - 4 Nm.

⚠ ADVARSEL

Kontroller at alle festebraketter er strammet forsvarlig til når alle justeringer er fullført og J3-ryggen er klar til bruk.

⚠ ADVARSEL

For å garantere sikker montering av ryggen, må låsepinnen settes inn før ryggen brukes, (Fig. 14 og 15).

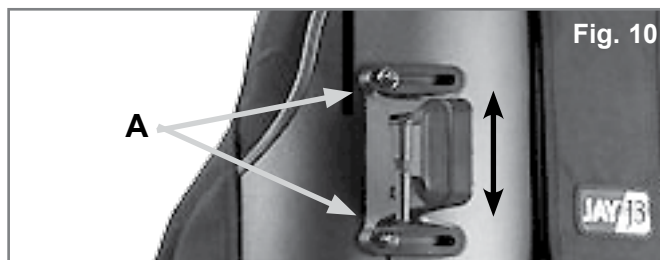
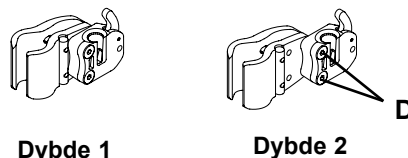


Fig. 10

Kompakt festebrakett– 2 dybdeinnstillinger Fig. 11



HD kompakt festebrakett Fig. 12

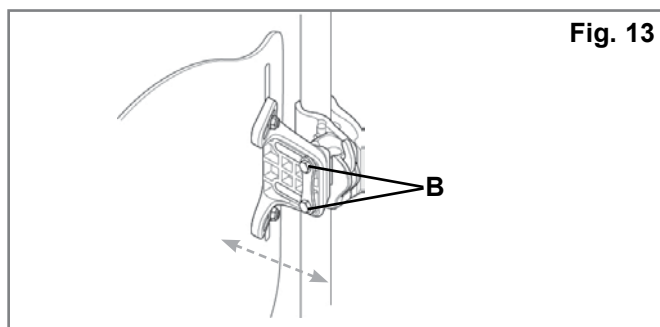
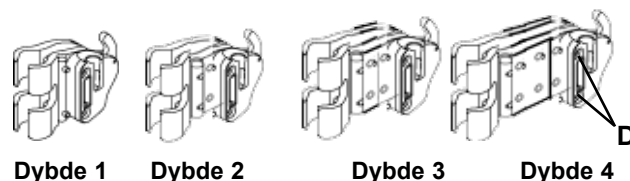


Fig. 13

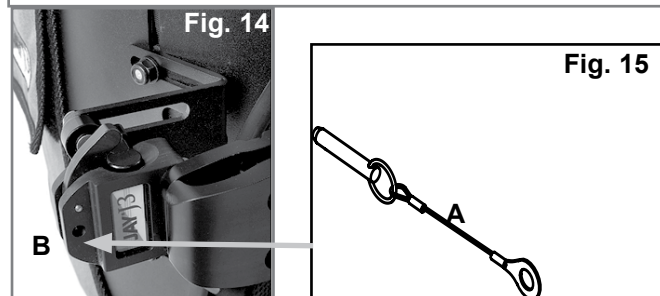


Fig. 14

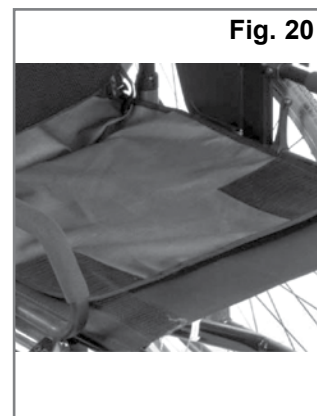
Fig. 15

MONTERING AV RYGGTREKKFORLENGER

1. Løft den øvre klaffen på J3-ryggtrekket (Fig. 17)
2. Sett løkken på kroken, og fest ryggtrekkforlengeren bak på J3-ryggtrekket (Fig. 17). Sett tilbake den øvre klaffen på trekket for å dekke ryggtrekkforlengeren mellom den øvre og nedre klaffen (Fig. 18).
3. Ta seteputen ut av rullestolen, og legg "halen" på ryggtrekkforlengeren mellom setetrekket på rullestolen og seteputen (Fig. 20).
4. Juster ryggtrekkforlengeren etter behov ved å flytte «halen» inn og ut under seteputen. Hvis nødvendig, kan også den øvre delen på ryggtrekkforlengeren flyttes opp og ned på ryggen.
5. Trekk festebåndene gjennom øynene på ryggtrekkforlengeren, vikle dem rundt rullestolrammen, og trøt den ene enden gjennom enden med åpningen på festebåndet (Fig. 21). Stram til og lukk utvendige åpninger i ryggtrekkforlengeren (Fig. 22).

Tilbehør. Oppbevaringslomme

MERK: Det finnes en oppbevaringslomme som kan festes til ryggtrekkforlengeren (Fig. 16).



Ferdigmontert J3- ryggtrekkforlenger

DELER TIL STILINGSKORRIGERING

Delene er utviklet for å gi brukeren individuelt tilpasset støtte. (I enkelte land vil deler følge med ryggen). Vennligst les instruksjonene nedenfor for å montere delene.

1. Montering av deler








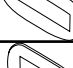

- Be brukeren om å lene eller skyve seg litt forover fra J3-ryggen, om mulig.
- Åpne borrelåsen på fliken bak på trekket (Fig. 24) og løft fliken oppover, slik at du kan se innsiden på J3-ryggen.
- Fest delen(e) til borrelåsen på innsiden av ryggskallet (Fig. 25), og sett fliken på trekket tilbake på plass. Trekk fliken nedover, slik at den øvre sømmen er plassert på toppen av ryggskallet. Hvis sømmen ikke kan plasseres slik, kan det være nødvendig å løsne den nedre delen på trekket (Fig. 26).
- La brukeren teste om delen(e) gir nødvendig støtte og komfort, og gjenta trinn a til c til dette oppnås.
- Forskjellige plasseringer og kombinasjoner av deler kan brukes. Hvis du har behov for ekstra deler eller størrelser, vennligst ta kontakt med Sunrise Medical.

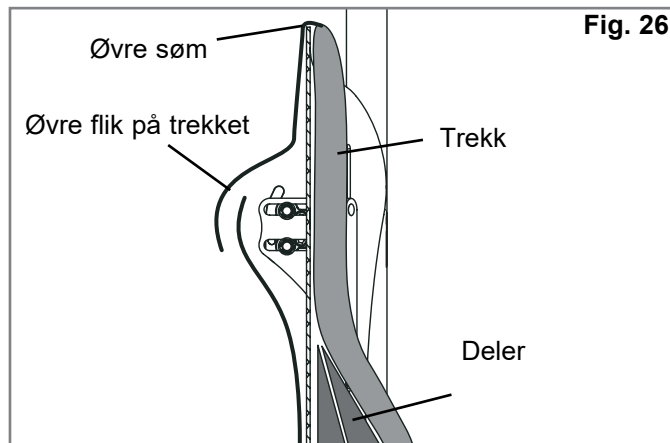
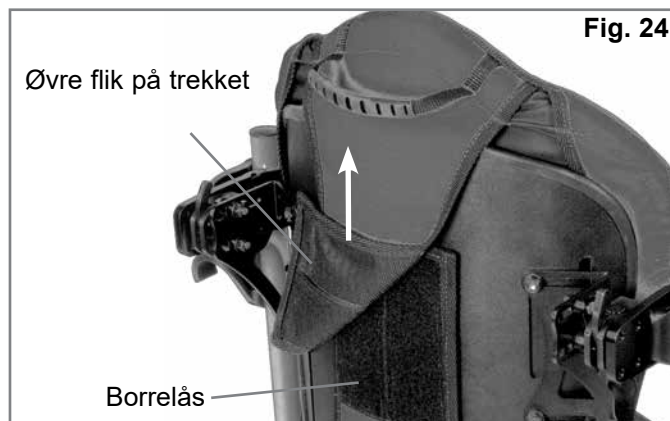
OPMERKING: Hvis du ønsker ytterligere informasjon om J3-delene, kan du se en video på nettsiden vår www.sunrisemedical.com.

Monteringen av J3-ryggen er nå fullført.

J3-TILBEHØR

Hvis du har bestilt J3-tilbehør, som sidestøtter, hodestøtte eller seler, må du følge monteringsinstruksjonene i brukerveiledningen for hvert av disse produktene.

Deler	
Stor lumbalstøtte	
Liten lumbalstøtte	
Kile	
Buet sidestøtte	
Flat sidestøtte	
Bekkenstøtte (justerbar)	
Sidestøtte	
Utfyllingspute stor	
Utfyllingspute liten	



TRANSPORTSIKKERHET FOR RYGG

J3-ryggen er kollisjonstestet for transport i bil. Du må følge alle instruksjonene som er oppgitt i denne brukerveiledningen angående montering, bruk og vedlikehold, samt transportinstruksjonene beskrevet nedenfor.

ADVARSEL

HVIS DISSE ADVARSLERNE IKKE OVERHOLDES, KAN DET FØRE TIL ALVORLIGE PERSONSKADER FOR RULLESTOLBRUKEREN OG ANDRE PERSONER.

INSTRUKSJONER

1. Brukeren skal forflyttes til et bilsete og bruke bilens sikkerhetsbelte, så langt det lar seg gjøre.
2. Avstanden mellom toppen på brukerens skulder og den øverste kanten på ryggen må ikke være mer enn 16,5 cm.
3. Rullestolen må være merket og godkjent for bruk som et sete i en bil, dynamisk testet i henhold til kravene i ISO-standard 7176-19, samt installeres, brukes og vedlikeholdes i henhold til produsentens instruksjoner.
4. Hvis det originale rullestolsetet erstattes, må det nye setet være godkjent for transport, samt installeres og brukes i henhold til produsentens instruksjoner.
5. Rullestolens festesystem og brukerens sikkerhetssystem skal være kompatibelt med den bestemte rullestolen, brukes i henhold til produsentens instruksjoner, samt overholde ytelseskravene i ISO-standard 10542.
6. Rullestolen må alltid peke forover i bilens kjøretning under transport.
7. For å redusere faren for eventuelle personskader til rullestolbrukeren, skal utstyr som er montert på stolen, slik som bord og respiratorutstyr, tas av stolen og oppbevares separat.
8. Dette produktet er beregnet for voksne personer som veier mellom 35 kg og 136 kg.
9. Sittestillingsutstyr slik som hoftebelter, sidestøtter eller brystseler mm vil ikke gi tilstrekkelig sikkerhet for brukeren under transport i et kjøretøy, med mindre slikt utstyr er merket som i overensstemmelse med ISO-standard 16840-4.
10. Du må ikke endre rullestolens konfigurasjon, deler eller komponenter uten først å rådføre deg med leverandøren.

DEMONTERING OG UTSKIFTNING

Demontering

Om nødvendig, kan ryggen lett tas av rullestolen ved å følge instruksjonene for montering og demontering av ryggen. Skyv hver av utløerspakene forover for å åpne festebraketten (Fig. 27). Når begge utløerspakene er skjøvet forover, kan ryggen løftes rett opp av rullestolen (Fig. 28) ved bruk av håndtaket plassert øverst på ryggen.

Riktig montering etter demontering av ryggen

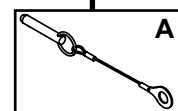
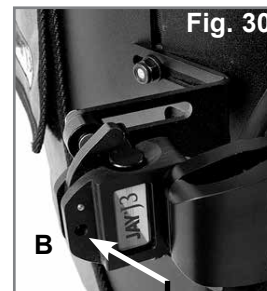
For å sette ryggen tilbake på plass, setter du pinnene ned i brakettene og setter ryggen på plass (Fig. 29). Hvis ryggen er riktig montert, vil pinnene "klikke" på plass i låst stilling.

⚠ ADVARSEL

For å kontrollere at ryggen er låst forsvarlig på plass, trekker du ryggen oppover ved bruk av håndtaket.

Låsepinner (Fig. 30)

J3-ryggen er utstyrt med to låsepinner som forhindrer at ryggen løsner fra stolen nå de er forsvarlig festet. For å låse ryggen, setter du pinnene (A) inn i brakettene (B). Fjern ganske enkelt pinnene hvis du vil bruke hurtigutløserfunksjonen.



KONTRAINDIKASJONER:**⚠ ADVARSEL**

Ikke bruk eller foreskriv denne ryggstøtten for noen som er tyngre enn den maksimale brukervekten.

RESIRKULERING/GJENBRUK:**⚠ ADVARSEL**

- Fare for personskade
- La alltid en Sunrise Medical-forhandler undersøke produktet for skade eller slitasje før det leveres til en annen bruker. Hvis produktet viser noen tegn til skade **MÅ DET IKKE BRUKES**.
- Det kan oppstå alvorlige personskader dersom disse forholdsreglene ikke overholdes.

Dette produktet kan gjenbrukes*:

- Få en Sunrise Medical-forhandler til å undersøke at ryggskallet, festebrakettene, skummet og trekket ikke er skadd eller slitt. Hvis det er noen tegn til skade må produktet ikke brukes.
- Rengjør og desinfiser ryggskallet, festebrakettene, skummet og trekket i samsvar med lokale forskrifter. Kontakt instansen som er ansvarlig for hygienekontroll.
- Når produktet er rengjort og desinfisert, be en autorisert Sunrise Medical-forhandler kontrollere ryggskallet, festeanordningene, skummet og trekket på, nytt for å forsikre om at rengjørings-/desinfeksjonsprosessen ikke har forårsaket noen form for skade.

⚠ ADVARSLER:

- Unnlatelse av å følge gjenbruksinstruksjonene kan forårsake alvorlige personskade til brukeren.
- Når produktet skal brukes av en annen person, skal det tilpasses den nye brukeren av en autorisert Sunrise Medical-forhandler eller en terapeut.

2 ÅRS BEGRENSET GARANTI**2 ÅRS BEGRENSET GARANTI**

Alle JAY J3-rygger er nøye kontrollert og testet for å garantere best mulig ytelse. Alle JAY J3-rygger garanteres mot fabrikkasjons- og materialfeil i en periode på 2 år fra kjøpsdato, forutsatt at den har blitt brukt på normal måte. Dersom det oppstår en fabrikkasjons- eller materialfeil i løpet av 2 år fra den opprinnelige kjøpsdatoen, vil Sunrise Medical etter skjønn reparere eller erstatte puten uten omkostninger for kunden. Garantien gjelder ikke punkteringer, rifter, brennmerker eller ryggens avtakbare trekk.

Eventuelle krav eller reparasjoner skal gjøres gjennom din autoriserte forhandler. Med unntak av de bestemte garantiene som er beskrevet her, skal ingen andre garantier, inkludert indirekte garantier om salgbarhet eller egnethet for et bestemt formål, gjelde. Ingen andre garantier enn de som er beskrevet her skal gjelde. Ved et eventuelt brudd på de bestemte garantiene som er beskrevet her, skal den eneste erstatningen være å reparere eller erstatte produktet. Ved et eventuelt brudd på disse garantiene, skal ikke erstatningen under noen omstendigheter inkludere følgeskader eller overstige prisen på produktene som er solgt.

Sunrise Medical doporučuje konzultaci se zdravotnickými pracovníky, například s lékaři nebo terapeuty, kteří mají zkušenosti se sezením a polohováním, k určení, zda je poloha opěradla J3 vhodná.



VAROVÁNÍ!

Ja třeba, aby opěradlo nainstaloval výhradně:

- autorizovaný dodavatel Sunrise Medical
- kvalifikovaný a kompetentní zdravotnický pracovník, který absolvoval příslušné certifikované školení buď u Sunrise Medical nebo u jeho certifikovaného dodavatele.

URČENÉ POUŽITÍ OPĚRADLA JAY J3 BACK

JAY J3 Back slouží k poskytnutí opory zad pro širokou škálu uživatelů invalidních vozíků. Poskytuje jednoduchou, komfortní a efektivní oporu pro maximalizaci funkce a zvýšení tolerance sezení. Kromě toho je lehký, trvanlivý a snadno se používá.

Oporu zad lze nainstalovat na celou řadu invalidních vozíků.

Maximální hmotnost uživatele:

300 lb (136 kg) – kompaktní (standardní hardware)

500 lb (227 kg) – kompaktní hardware pro náročné podmínky

Určená životnost opěradla je 4 roky.



UPOZORNĚNÍ

Instalace zádové opěrky na invalidní vozík může ovlivnit těžiště invalidního vozíku a může způsobit převrácení vozíku dozadu, což může mít za následek vznik úrazu.

Vždy zvažte, zda není potřeba použít jisticí kolečka proti překlopení nebo adaptéry pro pacienty s amputovanými končetinami a přimontovat je na invalidní vozík pro zvýšení jeho stability.



UPOZORNĚNÍ

Nepoužívejte opěradlo J3 Back k tlačení invalidního vozíku. Nesprávné použití může mít za následek neočekávané oddělení zádové opěrky od invalidního vozíku.



UPOZORNĚNÍ

Nepoužívejte ucho J3 Back k tlačení invalidního vozíku. Je určena pouze k odstranění zádové opěrky.



UPOZORNĚNÍ

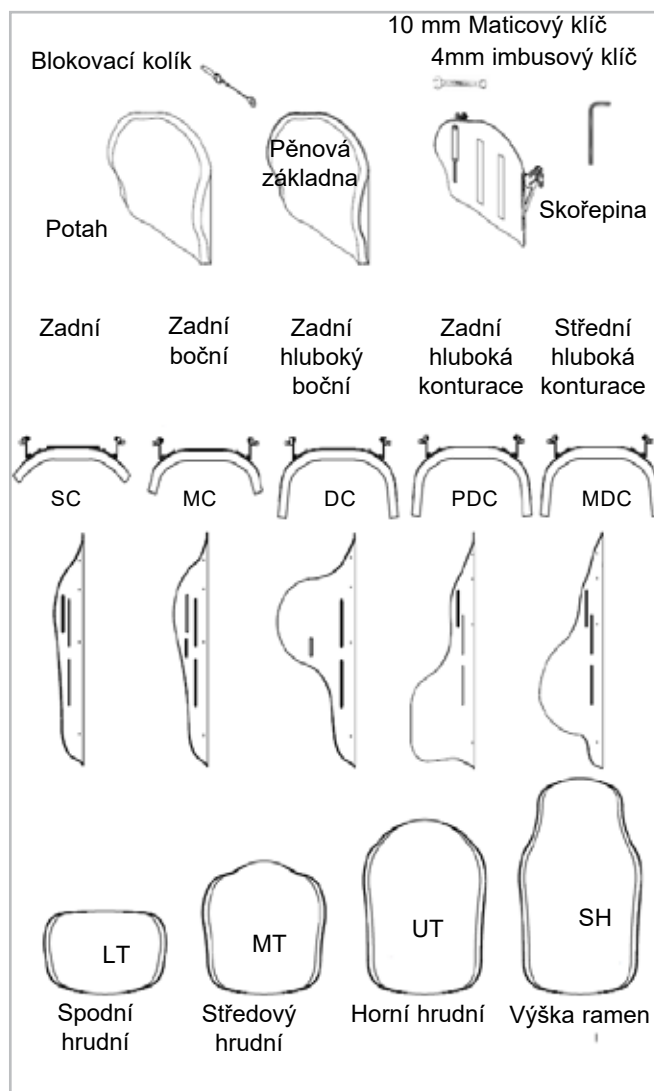
Nepozornost může způsobit požár



UPOZORNĚNÍ

Před použitím si přečtěte návod.

OPĚRADLO J3



ÚDRŽBA

Sunrise doporučuje kontrolu všech upevňovacích prvků, zda nejsou opotřebené jedenkrát za 6 měsíců, např. zda nejsou povolené šrouby nebo rozbité komponenty. Povolené upevňovací prvky je třeba opět dotáhnout podle pokynů. Všechny upevňovací prvky je třeba dotáhnout na krouticí moment podle specifikací uvedených v oddíle o instalaci držáků. V případě rozbití jakéhokoliv komponentu kontaktujte neprodleně svého autorizovaného dodavatele za účelem výměny. Po nalezení uvolněných nebo rozbitých komponent systém nadále nepoužívejte.

SNADNÉ ČIŠTĚNÍ

UPOZORNĚNÍ: Při demontáži opěradla za účelem čištění si všimněte polohy komponentů se suchými zipy pro oporu páteře, abyste opěradlo později správně smontovali.

Čištění potahu zádové opěrky

Sejměte potah uvolněním suchých zipů. Sejměte potah ze skořepiny zádové opěrky. Nalezněte zip na spodku potahu a otevřete jej. Vyjměte pěnovou vložku a obraťte ji rubem ven. Zavřete zip, aby se nezatrhl. Perte v pračce v teplé vodě (60° C). Odstředte nebo sušte v sušičce při nízké teplotě.

UPOZORNĚNÍ:

- Potah nenechávejte chemicky čistit ani prát a sušit v průmyslových pračkách a sušičkách.
- Nečistěte jej parou.
- Nebělte.





Pěnovou vložku opět vložte do potahu. Upozorňujeme Vás, že v základně jsou dvě vrstvy pěny. Při opětovném vkládání pěnové vložky zajistěte, aby tenčí světlešedá pěna směřovala ke skořepině. Po zajištění pěnové vložky v potahu zavřete zip.

Čištění skořepiny opěradla

Skořepinu lze vytřít do čista s použitím vody a mýdla. Žádná jiná údržba není zapotřebí.

Čištění polohovacích komponent

Polohovací komponenty lze vytřít do čista s použitím vody a mýdla. Neponořujte polohovací komponenty pod vodu. Pokud máte jakékoli další otázky k postupům čištění, obraťte se na svého autorizovaného dodavatele Sunrise Medical.

Symboly pro praní a údržbu textilií	
	Perte v pračce v teplé vodě (60° C)
	Bělte jinými prostředky než chlórem,
	v případě potřeby
	Nechejte okapat do sucha
	Nežehlete Nečistěte chemicky

URČENÍ KOMPATIBILITY

Typy invalidních vozíků

Opěradlo J3 je konstruováno tak, že je kompatibilní s většinou invalidních vozíků s následujícími výjimkami: Invalidní vozíky, které jsou úhlově nastavitelné, lze je naklánět a naklápět a úhel je pak větší než 60 stupňů vzhledem k vertikále, by se neměly používat.

⚠ UPOZORNĚNÍ

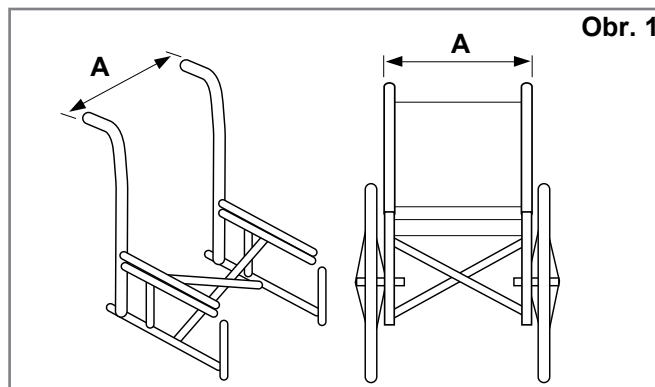
Při použití invalidních vozíků těchto typů může dojít k nechtěnému odpojení zádové opěrky od invalidního vozíku s následkem pádu a možností závažného zranění.

Rozměry invalidního vozíku

Opěradlo J3 je určeno k náhradě čalounění závěsu invalidního vozíku. Před instalací zjistěte, zda má invalidní vozík kompatibilní zadní trubky měřením šířky mezi zadními trubkami, jak je znázorněno na obrázku 1. Pak s použitím tohoto měření zkontrolujte tabulku 1 a zjistěte, zda se bude opěradlo hodit pro Váš invalidní vozík.

Pak zkontrolujte, zda mají trubky kompatibilní průměr. Hardware opěradla J3 lze namontovat trubky opěradla invalidního vozíku 3/4" (1,9 cm) až 1 1/8" (2,85 cm). Změřte vzdálenost vašich trubek zádové opěrky (Obr. 2) a podle tabulky 2 zjistěte, jestli je vzdálenost vašich trubek zad kompatibilní s rozměry uvedenými v tabulce.

Pokud nemůžete určit, zda jsou trubky zádové opěrky kompatibilní, obraťte se, prosím, na svého autorizovaného dodavatele Sunrise Medical nebo na služby zákazníkům Sunrise Medical.

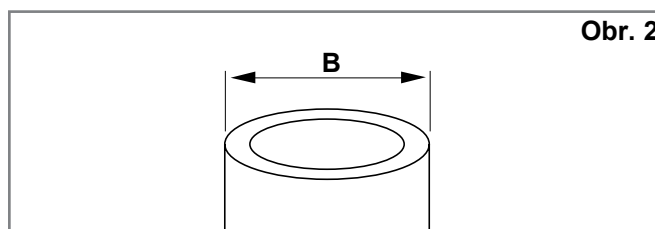


Obr. 1

Tabulka 1

Šířka opěradla J3* (všechny tvary)	Šířka trubek opěradla od vnější strany trubek k vnější straně trubek, (Obr. 1-A)			
	Minimální šířka		Maximální šířka	
	palců	cm	palců	cm
12" 31 cm	11,7	29,7	14,3	36,3
14" 36 cm	13,7	34,9	16,3	41,3
16" 41 cm	15,7	40,0	18,3	46,4
18" 46 cm	17,7	45,1	20,3	51,6
20" 51 cm	19,7	50,1	22,3	56,5

* Šířka opěradla je označena v katalogovém čísle opěradla. Například: J3SCMTS36 je opěradlo široké 36 cm.



Obr. 2

Tabulka 2

Šířka opěradla J3 (všechny kontury)	Průměr trubky (Obr. 2-B)			
	Minimální šířka		Maximální šířka	
	palců	cm	palců	cm
14-20" (36-51cm)	3/4	1,9	1 1/8	2,85

INSTALACE MONTÁŽNÍHO HARDWARU

Před zahájením instalace si přečtěte následující pokyny.

Při instalaci opěradla J3 je nejvhodnější začít bez uživatele na invalidním vozíku. Po instalaci zádové opěrky, když jsou zapotřebí drobné úpravy, může se uživatel opět usadit v invalidním vozíku.

Potřebné nástroje (jsou součástí dodávky opěradla J3)*

-  ý klíč
-  íč

UPOZORNĚNÍ: Kdekoliv jsou určena nastavení krouticího momentu, je silně doporučeno použít měřič krouticího momentu (není součástí dodávky opěradla JAY J3 Back), aby bylo ověřeno dosažení správného určeného krouticího momentu.

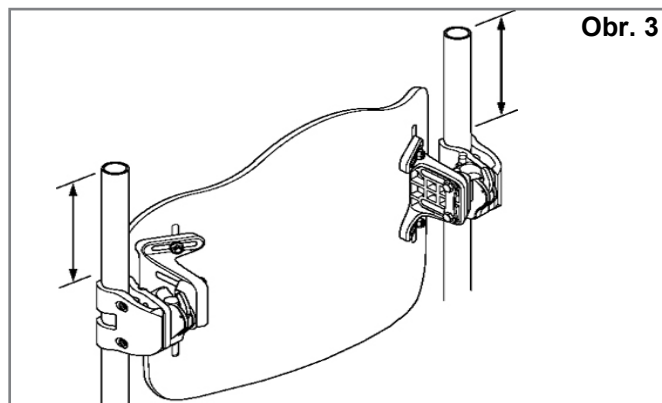
Pokyny k instalaci hardwaru (Obr. 3, 4, 5)

Platí pro všechny hardwarové typy uchycení (kompaktní, kompaktní pro náročné podmínky a standard).

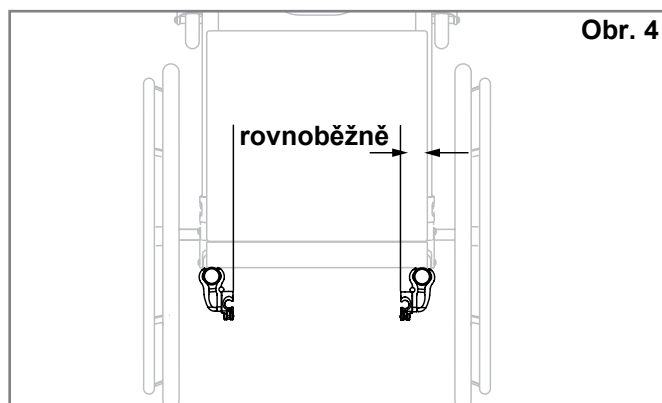
1. Odstraňte z invalidního vozíku stávající zádovou opěrku podle pokynů výrobce invalidního vozíku.
2. Vizually určete požadované umístění držáků na trubkách zádové opěrky invalidního vozíku. Namontované držáky by měl být na zadním sloupku v přibližně stejné výšce (Obr. 3) a rovnoběžně vůči rámu sedadla a paralelně s rámem sedadla (Obr. 4). Vyšší umístění na zadních trubkách je obecně lepší.
3. Nasazení držáků. (Obr. 5)
 - a. Povolte upínací šrouby (A) přiloženým imbusovým klíčem 4mm. UPOZORNĚNÍ– Pro velké průměry trubek je možné upínací šrouby odstranit úplně.
 - b. Nasadte držák na truby opěradla invalidního vozíku (B) a vyrovnejte je.
 - c. Dotáhněte ručně upínací šrouby (A). UPOZORNĚNÍ– Držáky mohou vyžadovat další boční nastavení, aby bylo zajištěno správné vyrovnání.

Nasazení a vyrovnání skořepiny opěradla J3 (Obr. 6)

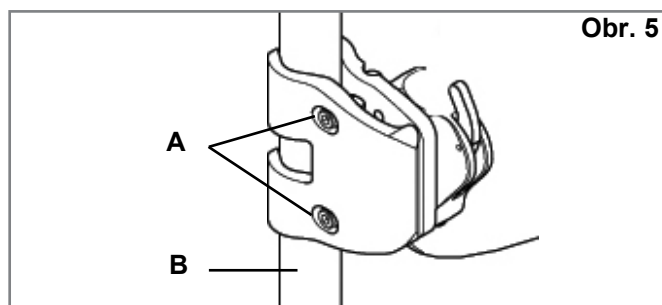
- a. Povolte matice konzoly (C) a matice montážních kolíků (F) koncovým nástrčným klíčem 10mm tak, aby se mohl hardware snadno pohybovat ve všech směrech.
- b. Nasadte hardwarové držáky opěradla J3 nasazením levého a pravého montážního kolíku (D) do levého a pravého držáku (E).
- c. Umístěte zádovou opěrku vhodným způsobem vzhledem k invalidnímu vozíku i uživateli.
- d. Dotáhněte ručně matice na vnitřní straně montážního kolíku (F). UPOZORNĚNÍ- Hloubka a úhel opěradla budou možná vyžadovat další nastavení, aby vyhovovaly uživateli.
- e. Dotáhněte ručně matice konzoly (C). UPOZORNĚNÍ– Výška opěradla může vyžadovat nastavení, aby vyhovovala uživateli.
- f. Vyzkoušejte uvolnění opěradla stisknutím uvolňovacích pák směrem dopředu a sejmutím opěradla z invalidního vozíku. (Další podrobnosti naleznete v oddíle Sejmutí a výměna.) Správné vyrovnání upevňovacího držáku a zádové opěrky dosáhnete, pokud lze snadno a hladce. Zádová opěrka připevnit a uvolnit.
- g. Pokud nebylo dosaženo správného vyrovnání, nastavujte komponenty, dokud nebudou správně vyrovnány.
- h. Po dosažení správného vyrovnání dotáhněte upínací šrouby držáku. Doporučená specifikace krouticího momentu je 75 - 85 in-lbs (8,5 - 9,3 Nm).



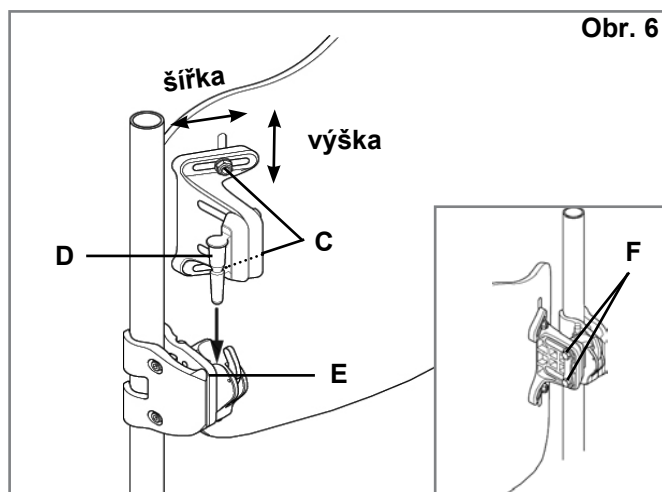
Obr. 3



Obr. 4



Obr. 5



Obr. 6

NASTAVENÍ VÝŠKY, HLOUBKY A ÚHLU J3

První fáze instalace hardwaru opěradla J3 je dokončena. Nyní je vhodná doba k tomu, aby se uživatel opět posadil na invalidní vozík k provedení úprav opěradla J3 na míru uživatele. Uživatel by se neměl o zádovou opěrku opírat naplno, protože není vše plně dotaženo podle požadavků na krouticí moment.

1. Nastavení výšky (Obr. 10)

- Určete požadovanou výšku zádové opěrky s uživatelem sedícím na vozíku. Po určení výšky by měl uživatel uvolnit tlak působící na opěradlo J3 nakloněním nebo posunutím částečně dopředu, pokud je to možné, aby bylo možné provést nastavení.
- Povolte matice konzoly (A) a nastavte výšku skořepiny do požadované polohy.
- Bezpečně dotáhněte matice konzoly (A). Doporučená specifikace krouticího momentu je (8,5 - 9,3 Nm).

UPOZORNĚNÍ: Poprovedení nastavení výšky zkontrolujte, zda nebyla neúmyslně změněna šířka.

2. Nastavení hloubky/úhlu (Obr. 11, 12 a 13)

Uvědomte si, že lze objednat dva typy hardware – standardní hardware (obr. 11) nebo delší, nastavitelný hardware (Obr. 12). Obě sady hardwaru se nastavují stejným způsobem, ale standardní hardware nabízí hloubku nastavení 2 palce (5 cm) (Obr. 11), zatímco prodloužený (nastavitelný) hardware nabízí hloubku nastavení 3,4 palců (8,65 cm) (Obr. 12).

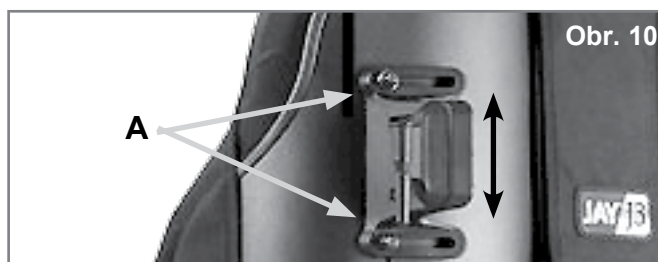
- Pokud chcete nastavit hloubku a úhel opěradla typu J3, uvolněte levou a pravou matici (Obr. 13-B) v drážkách konzoly.
- Nastavte hloubku a/nebo úhel a bezpečně dotáhněte. Doporučená specifikace krouticího momentu je 100-110 in-lbs. (11,3 - 12,4 Nm). Zkontrolujte, zda se matice pro nastavení hloubky (Obr. 13-B) nesemeskávají nebo neotáčí.
- Pokud je zapotřebí větší hloubka, sejměte opěradlo z držáků. Vyšroubujte šrouby (Obr. 11-D, 12-D) z držáku pomocí přiloženého šestihřanného klíče 4 mm a nastavte požadovanou hloubku. Upozornění: Před výměnou dvou šroubů se důrazně doporučuje aplikace vhodného středně silného prostředku k zafixování závětí, např. Loctite 243 na držák a závěti, pokud se mění poloha opěradla. Dotáhněte šrouby na 25-35 in-lbs. (2,8 - 4 Nm).

⚠ UPOZORNĚNÍ

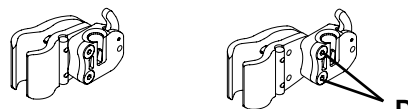
Zajistěte, aby byl veškerý hardware řádně dotažen po provedení všech nastavení, když je opěradlo J3 připraveno k použití.

⚠ UPOZORNĚNÍ

Pro zajištění optimální bezpečnosti nasazení opěradla musí být nasazen blokovací kolík dřívě, než lze opěradlo použít, (Obr. 14 a 15).



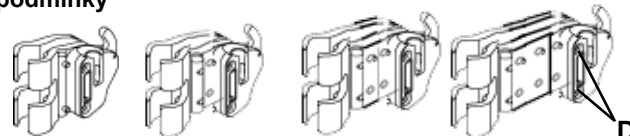
Kompaktní hardware – 2 nastavení hloubky Obr. 11



Hloubka 1

Hloubka 2

Kompaktní hardware pro náročné podmínky Obr. 12

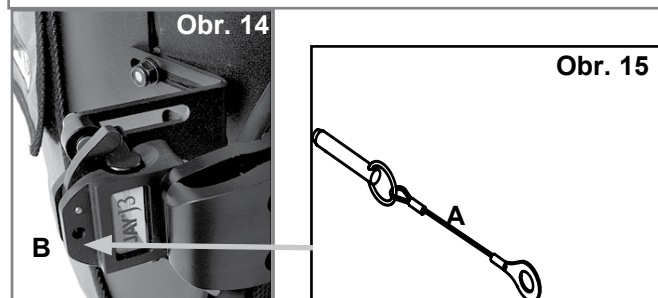
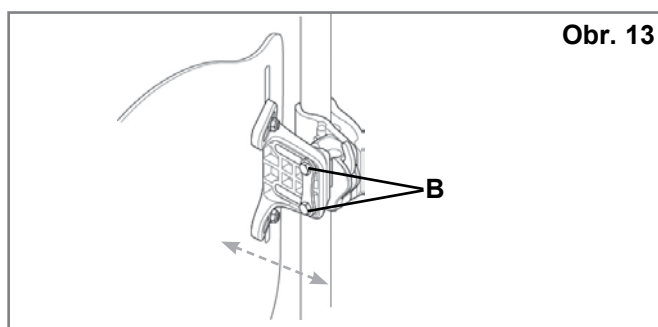


Hloubka 1

Hloubka 2

Hloubka 3

Hloubka 4

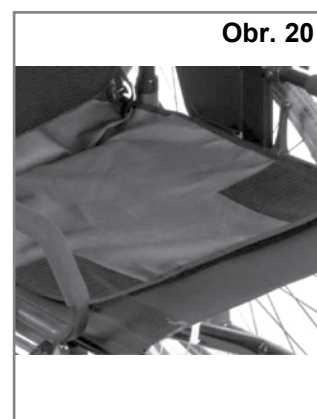


INSTALACE KRYCÍ CHLOPNĚ

1. Zdvihněte horní chlopeň potahu opěradla J3 (Obr. 17)
2. Vyrovnajte háček s očkem a nasadte krycí chlopeň zpět na potah opěradla J3 (Obr. 17). Přemístěte horní chlopeň tak, aby byla krycí chlopeň mezi horní a spodní chlopní (Obr. 18).
3. Sejměte polštář sedadla z invalidního vozíku a umístěte konec krycí chlopně mezi podpurný povrch invalidního vozíku a polštář sedadla (Obr. 20).
4. Nastavte krycí chlopeň podle potřeby posunutím konce dovnitř nebo ven z pod polštáře sedadla. V případě potřeby lze také krycí chlopeň posunout na opěradle sedadla nahoru nebo dolů.
5. Nasadte háček a vázací smyčky očka skrz příslušné průchodky na krycí chlopní a pak je omotejte okolo rámu invalidního vozíku a protáhněte vodící konec koncem štěrbiny (Obr. 21). Přitáhněte je a uzavřete vnější otvory krycí chlopně (Obr. 22).

Volitelný úložný vak

UPOZORNĚNÍ: K dispozici je volitelný úložný vak, který lze připevnit na odkládací kapsu (Obr. 16).



Instalace hotové krycí chlopně J3

KOMPONENTY PRO ÚPRAVU POLOHOVÁNÍ ZAD

Komponenty pro úpravu polohování zad jsou určeny k poskytnutí optimálně tvarované opory v rámci standardního opěradla. (V závislosti na zemi nákupu mohou být komponenty pro úpravu polohování zad dodávány s Vaším opěradlem.) Při instalaci komponent pro úpravu polohování zad postupujte podle následujících pokynů.

1. Instalace komponent pro úpravu polohování zad

- Požádejte uživatele, aby nepůsobil tlakem na opěradlo J3 nakloněním nebo posunutím částečně dopředu, pokud je to možné.
- Uvolněte suchý zip na horním krytu (obr. 24) a zvedněte kryt dopředu. Odkryjete vnitřek opěradla typu J3.
- Přiložte polohovací součásti na suchý zip na skořepině (obr. 25) a znovu připevněte horní kryt. Stáhněte dolů a ujistěte se, zda je horní lem vyrovnaný s horním okrajem skořepiny. Pokud se lem nekryje, je možné, že bude potřeba uvolnit spodek potahu (Obr. 26).
- Požádejte uživatele, aby vyzkoušel nynější nastavení opěradla, zda je dostatečně komfortní a poskytuje požadovanou oporu a opakujte kroky a-c, dokud nebude nastavení hotové.
- Lze použít různé konfigurace a kombinace komponent pro úpravu nastavení páteře. Pokud jsou potřebné další tvary nebo velikosti pro úpravu nastavení páteře, obraťte se na svého dodavatele nebo na Sunrise Medical.


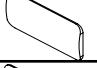

UPOZORNĚNÍ:

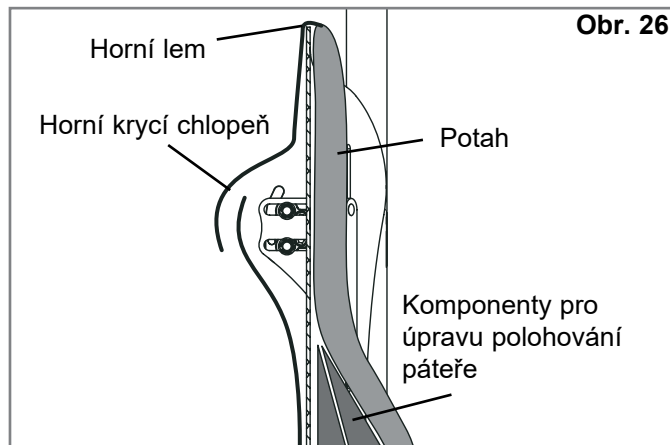
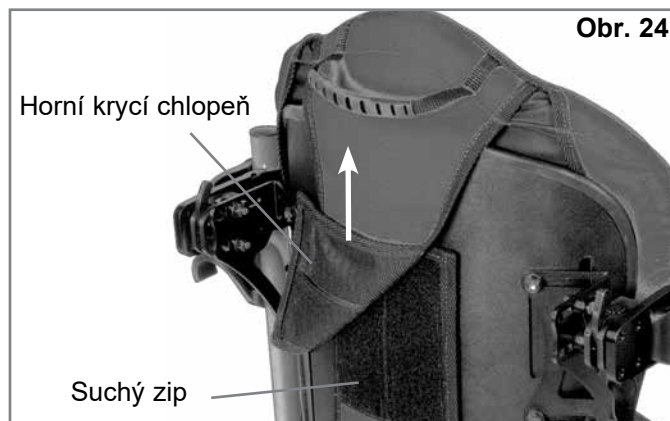
Pokud požadujete další informace o systému pro úpravu nastavení páteře J3, prohlédněte si naši animaci na www.sunrisemedical.com.

Instalace opěradla J3 je dokončena.

PŘÍSLUŠENSTVÍ J3

Pokud jste si objednali příslušenství J3, jako bočnice, opěrky hlavy nebo popruhy, postupujte podle pokynů k instalaci těchto komponent.

Polohovací komponenty	
Velká bederní	
Malá bederní	
Klín	
Zakřivená podložka	
Plochá podložka	
Zadní/boční pánevní	
Boční podložka	
Velký vak ve tvaru fazole	
Malý vak ve tvaru fazole	



BEZPEČNOST OPĚRADLA PŘI PŘEPRAVĚ

Opěradlo J3 bylo dynamicky testováno pro použití v motorovém vozidle. Dodržujte, prosím, všechny pokyny k použití a údržbě, uvedené v této příručce, a pokyny pro přepravu uvedené níže.

 UPOZORNĚNÍ

NERESPEKTOVÁNÍ TĚCHTO VAROVÁNÍ MŮŽE ZPŮSOBIT ZÁVAŽNÉ ZRANĚNÍ UŽIVATELE INVALIDNÍHO VOZÍKU NEBO JINÝCH OSOB

POKYNY

1. Pokud je to možné a proveditelné, uživatel by se měl přesunout na sedadlo vozidla a použít bezpečnostní pásy.
2. Vzdálenost mezi vrcholem ramen uživatele a vrcholem opěradla by neměla být větší, než 6,5" (16,5 cm).
3. Invalidní vozík musí být patřičně označen jako vhodný k použití jako sedadlo v motorovém vozidle, dynamicky testován podle požadavků na výkon normy ISO 7176-19, a nainstalován, používán a podrobován údržbě podle pokynů výrobce.
4. Pokud bylo originální sedadlo invalidního vozíku nahrazeno, nové sedadlo musí být schváleno pro přepravu invalidního vozíku, nainstalováno a používáno podle pokynů výrobce.
5. Je třeba, aby byl zádržný a připoutávací systém pro uživatele invalidního vozíku (WTORS) kompatibilní s konkrétním invalidním vozíkem, byl používán podle pokynů výrobce a splňoval požadavky na výkon podle normy ISO 10542.
6. Invalidní vozík musí při přepravě směřovat dopředu.
7. Aby bylo sníženo riziko zranění pasažérů vozidla, musí být příslušenství přimontované na vozík, jako jsou koše a respirační vybavení, odstraněno a bezpečně uloženo odděleně.
8. Tento výrobek je určen k použití pouze dospělými osobami o hmotnosti od 79 lbs (35 kg) do 300 lbs (136 kg).
9. Na zařízení pro oporu polohy, jako jsou pánevní polohovací pásy, přední opory trupu nebo opory polohy jako boční opory polohy by nemělo být spoléháno jako na zádržný systém uživatele v jedoucím vozidle, pokud nejsou označena, že splňují požadavky normy ISO 16840-4.
10. Na konstrukci, součástech nebo komponentách by neměly být prováděny změny bez konzultace s výrobcem.

ODSTRANĚNÍ A VÝMĚNA

Odstranění

Po instalaci a nastavení lze zádová opěrka v případě potřeby snadno sejmout z invalidního vozíku. Při odstraňování zatlačte uvolňovací páky dopředu, aby se komfortní opěradlo uvolnilo (Obr. 27). Jakmile jsou obě páčky vpředu, jednoduše zvedněte opěradlo nahoru (Obr. 28) pomocí rukojeti umístěné v horní části opěradla.

Správné opětovné nasazení po sejmutí

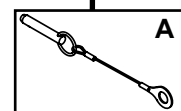
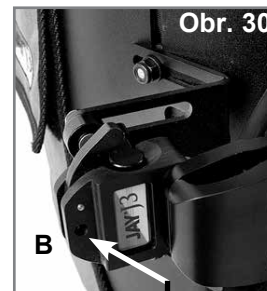
Pro opětovné nasazení opěradla na hardwarové držáky prostě vyrovnejte kolíky s držáky a zatlačte je na místo (Obr. 29). Při správném nasazení kolíky zaklapnou do zaaretované polohy.

⚠ UPOZORNĚNÍ

Pokud si nejste jisti nebo jste uslyšeli zaklapnutí, vytáhněte opěradlo nahoru za rukojeť aby bylo zajištěno, že opěradlo bezpečně zapadlo na své místo.

Blokovací kolíky (Obr. 30)

Opěradlo J3 se dodává se dvěma blokovacími kolíky, které když jsou zajištěny brání uvolnění z invalidního vozíku. Pro zablokování nasadte kolíky (A) do montážních otvorů (B). Pokud je požadována funkce rychlého uvolňování, kolíky prostě odstraňte.



KONTRAINDIKACE:**⚠ UPOZORNĚNÍ**

Toto opěradlo nepředepisujte nikomu, kdo přesahuje uvedenou maximální hmotnost uživatele.

RECYKLACE / ZNOVUPOUŽITÍ:**⚠ UPOZORNĚNÍ**

- **Nebezpečí zranění**
- **Před předáním výrobku jinému uživateli jej vždy nechejte zkontrolovat autorizovaným obchodním zástupcem společnosti Sunrise Medical, zda nedošlo k jeho poškození nebo opotřebením. Najdete-li jakékoliv známky poškození, NEPOUŽÍVEJTE TENTO VÝROBEK.**
- **Neuposlechnutí tohoto varování může vést k vážnému zranění.**

Tento výrobek je vhodný ke znovupoužití*:

- Nechejte autorizovaného obchodního zástupce společnosti Sunrise Medical zkontrolovat skořepinu, montážní prvky, pěnu a potah, zda nedošlo k jejich poškození. Jestliže je nalezeno poškození, výrobek znovu nepoužívejte.
- V souladu s místními předpisy vyčistěte a vydezinfikujte skořepinu, montážní prvky, pěnu a potah. Poradte se s kancelářím místního hygienika.
- Po čištění a dezinfekci je třeba, aby autorizovaný obchodní zástupce společnosti Sunrise Medical znovu zkontroloval skořepinu, montážní prvky, pěnu a potah, aby potvrdil, že během čištění/dezinfekce nedošlo k jejich poškození.

⚠ VAROVÁNÍ:

- **Nedbání pokynů pro znovupoužití může vést k vážnému zranění uživatele.**
- **Je-li tento výrobek znovu použit, je třeba, aby jej autorizovaný obchodní zástupce nebo pracovník kliniky upravil a přizpůsobil pro nového uživatele.**

OMEZENÁ ZÁRUKA 24 MĚSÍCŮ**OMEZENÁ ZÁRUKA 24 MĚSÍCŮ**

Každé opěradlo JAY J3 je pečlivě kontrolováno a testováno, aby poskytovalo špičkový výkon. Na každé opěradlo JAY J3 se poskytuje záruka, že nevykazuje závady materiálu nebo zpracování na dobu 24 měsíců od data nákupu, pokud je normálně používáno. Pokud dojde k vadě materiálů nebo zpracování do 24 měsíců od data koupě, společnost Sunrise Medical výrobek bezplatně opraví nebo vymění, dle svého rozhodnutí. Tato záruka se nevztahuje na propíchnutí, natržení nebo propálení ani na snímatelný potah opěradla.

Reklamacce vyřizuje a opravy zajišťuje nejbližší autorizovaný dodavatel. Kromě záruk, které jsou zde výslovně uvedeny, jsou vyloučeny veškeré ostatní záruky, včetně odvozených záruk na prodejnost a záruk vhodnosti k určitému účelu. Neexistují žádné záruky nad rámec záruk, které jsou zde popsány. Náhrady za porušení záruk, které jsou zde výslovně uvedeny, jsou omezeny na opravu nebo výměnu tohoto zboží. V žádném případě nekryje záruka na škody žádné následné škody nebo překročení nákladů při prodeji nevyhovujícího zboží.

Firma Sunrise Medical zaleca, aby opiekun kliniczny, np. lekarz czy terapeuta, doświadczony w osadzaniu i pozycjonowaniu sprawdził i określił, czy oparcie J3 jest odpowiednie.

⚠ OSTRZEŻENIE!

Oparcia mogą być montowane jedynie przez:

- autoryzowanego dostawcę Sunrise Medical
- wykwalifikowanego i kompetentnego pracownika służby zdrowia, który odbył autoryzowane szkolenia zorganizowane przez firmę Sunrise Medical lub jej oficjalnego dostawcę.

PRZEZNACZENIE UŻYTKOWE OPARCIA JAY J3

Oparcie JAY J3 przeznaczone jest do zapewnienia oparcia pleców dla szerokiego grona użytkowników wózków inwalidzkich. Zostało zaprojektowane, aby zapewnić prostą, komfortową i efektywną możliwość maksymalizowania funkcjonalności oraz zwiększenia tolerancji siedzenia. Dodatkowo jest lekkie, wytrzymałe i łatwe w użyciu.

Oparcie może być instalowane do szerokiej gamy wózków.

Dopuszczalna waga użytkownika:

136 kg – osprzęt kompaktowy (i stary standardowy)

227 kg – osprzęt kompaktowy wzmocniony

Zakładany okres użytkowania oparcia wynosi 4 lata.

⚠ OSTRZEŻENIE

Zainstalowanie oparcia pleców może wpłynąć na zmianę środka ciężkości wózka, a także spowodować przewrócenie się go do tyłu, co grozi odniesieniem obrażeń.

Należy zawsze ocenić potencjalną potrzebę stosowania w wózku układów zapobiegających przez przewróceniem się lub wsporników łącznika osi dla osób z amputowanymi kończynami, zwiększających stabilność.

⚠ OSTRZEŻENIE

Nie używać oparcia J3 do popychania lub podnoszenia wózka. Niewłaściwe użycie może spowodować niespodziewane odłączenie oparcia od wózka.

⚠ OSTRZEŻENIE

Nie używać uchwytu oparcia J3 do podnoszenia wózka. Uchwyt jest przeznaczony jedynie do demontażu oparcia.

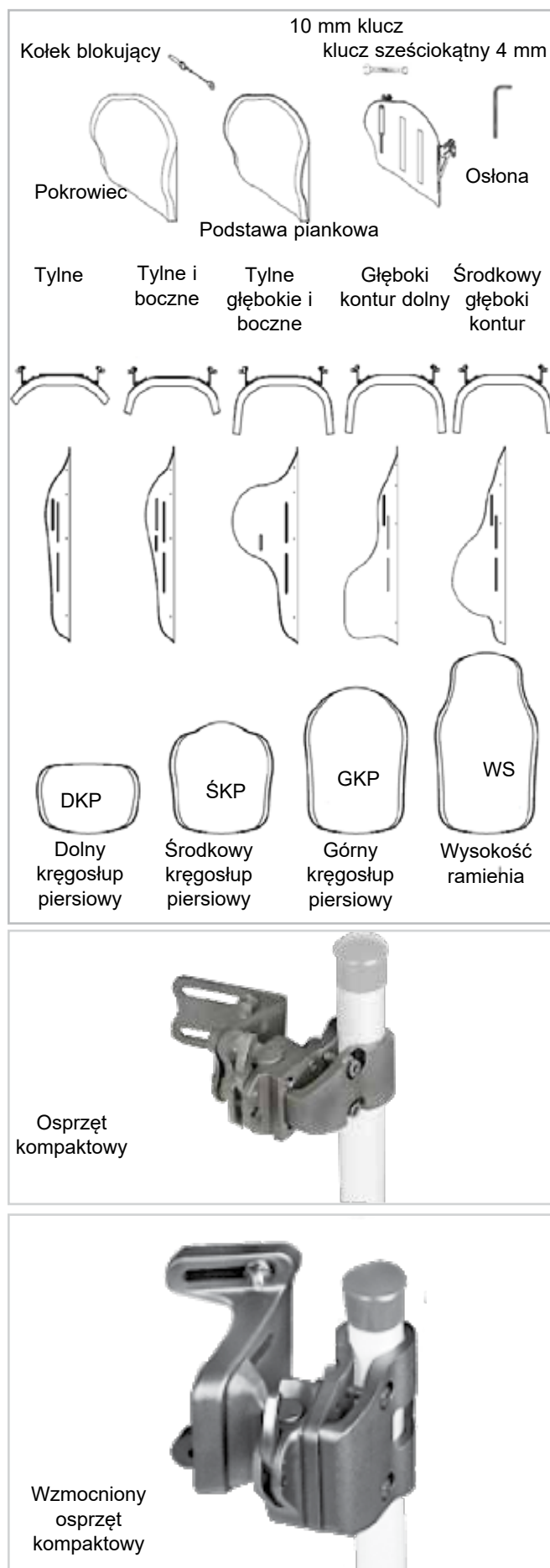
⚠ OSTRZEŻENIE

Nieostrożność może wywołać pożar.

⚠ OSTRZEŻENIE

Przed rozpoczęciem użytkowania należy przeczytać niniejszą instrukcję.

OPARCIE J3



KONSERWACJA

Sunrise zaleca, aby co 6 miesięcy sprawdzać zużycie wszystkich elementów mocujących, na przykład poluzowanie śrub lub uszkodzenie elementów. Luźne elementy mocujące należy ponownie zamocować zgodnie z instrukcją. Wszystkie elementy mocujące należy dokręcić zgodnie z instrukcją obsługi (sekcja instalacja osprzętu). W celu wymiany uszkodzonych elementów należy natychmiast skontaktować się z autoryzowanym dostawcą firmy Sunrise Medical. Nie należy kontynuować użytkowania po stwierdzeniu poluzowania lub uszkodzenia elementów.

ŁATWE CZYSZCZENIE

UWAGA:

Podczas demontażu oparcia do czyszczenia, należy zanotować położenie elementów systemu wyrównania kręgosłupa Velcro® w celu prawidłowego wykonania ponownego montażu.

Czyszczenie pokrowca oparcia

Należy zdjąć pokrowiec poprzez odłączenie rzepa. Odłączyć pokrowiec od tylnej osłony. Zlokalizować zamek błyskawiczny w dolnej części pokrowca i rozpiąć. Wyjąć piankę i odwrócić pokrowiec na lewą stronę. Zapiąć zamek błyskawiczny, aby zapobiec ścieraniu. Prać w pralce w temperaturze maksymalnie 60°C. Suszyć na sznurku lub w suszarce przy niskiej temperaturze.

UWAGA:

- Nie czyścić chemicznie ani nie używać do czyszczenia pokrowców pralek i suszarek przemysłowych.
- Nie czyścić parą w autoklawie.
- Nie wybielać.

Ponownie włożyć piankę do wnętrza pokrowca. Należy zwrócić uwagę czy podstawa posiada dwie warstwy pianki. Podczas ponownego wkładania pianki należy upewnić się, że cieńsza, jasnoszara pianka sąsiaduje z osłoną. Gdy pianka zostanie zabezpieczona wewnątrz pokrowca, zapiąć zamek błyskawiczny.

Czyszczenie osłony tylnej

Osłonę można czyścić wodą z mydłem. Inne metody konserwacji nie są wymagane.

Czyszczenie elementów pozycjonujących

Elementy pozycjonujące można czyścić wodą z mydłem. Nie zanurzać elementów pozycjonujących w wodzie.

W razie jakichkolwiek dodatkowych pytań dotyczących procedur czyszczenia należy skontaktować się z autoryzowanym sprzedawcą firmy Sunrise Medical.

Wskazówki dotyczące prania	
	Prać w pralce w ciepłej wodzie (60°C).
	Tylko bezchlorowy wybielacz,
	jeśli jest niezbędny
	Suszyć na sznurku
	Nie prasować Nie czyścić chemicznie

OKREŚLANIE ZGODNOŚCI Z WÓZKAMI

Typy wózków

Oparcie J3 jest kompatybilne z większością modeli wózków, z następującymi wyjątkami:

Oparcia nie należy stosować w wózkach z regulacją kąta, rozkładanych lub odchylanych, w których odchylenie oparcia od pionu przekracza 60 stopni.

⚠ OSTRZEŻENIE

Użycie oparcia w tych typach wózków może spowodować przypadkowe odłączenie oparcia od wózka, skutkujące upadkiem i możliwością doznania poważnych obrażeń.

Wymiary wózka

Oparcie J3 zastępuje tapicerkę zawiesia wózka. Przed instalacją należy określić czy używany wózek posiada kompatybilne rurki tylne poprzez zmierzenie szerokości pomiędzy nimi, jak pokazano na Rys. 1. Uzyskany pomiar należy porównać z tabelą 1, aby określić, czy oparcie będzie pasowało do wózka.

Następnie należy sprawdzić kompatybilność średnicy rurek tylnych. Osprzęt oparcia J3 zamontować można na rurkach tylnych, których średnica wynosi od 3/4" (1,9 cm) do 1 1/8" (2,85 cm). Należy zmierzyć średnicę prętów tylnych (Rys. 2) i porównać z tabelą 2, aby upewnić się, że pręty tylne są kompatybilne.

W przypadku problemów z określeniem czy rurki tylne są kompatybilne należy skontaktować się z autoryzowanym dostawcą lub biurem obsługi klienta firmy Sunrise Medical.

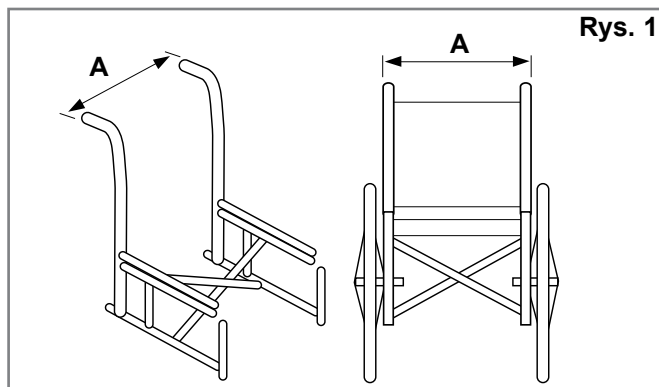


Tabela 1

Szerokość oparcia J3* (wszystkie kontury)	Szerokość rurek tylnych od zewnątrz do zewnątrz rurek, (Rys. 1-A)			
	Minimalna szerokość		Maksymalna szerokość	
	cale	cm	cale	cm
12" 31 cm	11,7	29,7	14,3	36,3
14" 36 cm	13,7	34,9	16,3	41,3
16" 41 cm	15,7	40,0	18,3	46,4
18" 46 cm	17,7	45,1	20,3	51,6
20" 51 cm	19,7	50,1	22,3	56,5

* Szerokość oparcia określono w numerze produktu.

Przykład: J3SCMTS36 oznacza szerokość oparcia 36 cm.

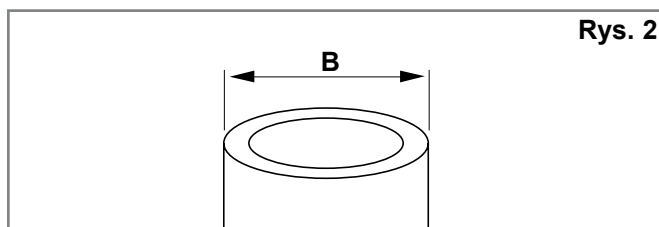


Tabela 2



Szerokość oparcia J3 (wszystkie kontury)	Średnica pręta (Fig. 2-B)			
	Minimalna szerokość		Maksymalna szerokość	
	cale	cm	cale	cm
14-20" (36-51cm)	3/4	1,9	1-1/8	2,85

INSTALACJA OSPRZĘTU MONTAŻOWEGO

Przed rozpoczęciem instalacji należy przeczytać niniejszą instrukcję.

Najlepiej rozpocząć instalację oparcia J3, gdy użytkownik nie przebywa na wózku. Gdy oparcie zostanie zamontowane i niezbędne są drobne regulacje, użytkownik może powrócić na wózek.

Wymagane narzędzia (załączone do oparcia J3)*

- klucz sześciokątny 4 mm 
- klucz nasadkowy 10 mm 

UWAGA: Gdy określone zostały ustawienia momentu obrotowego, usilnie zaleca się użycie dynamometru (nie załączono do oparcia J3) w celu weryfikacji, czy użyto właściwego momentu.

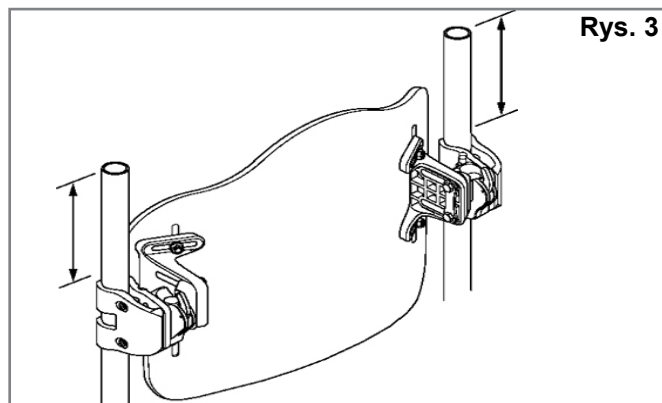
Instrukcja instalacji osprzętu (Rys. 3, 4, 5)

Obejmuje wszystkie typy osprzętu (kompaktowy, wzmocniony kompaktowy i stary standardowy).

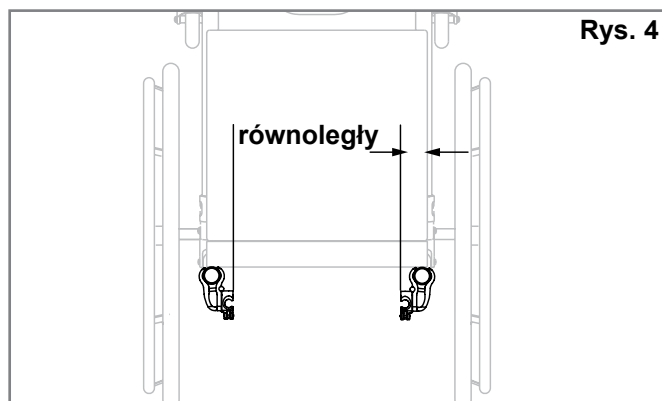
1. Należy zdemontować używane oparcie wózka zgodnie z instrukcją obsługi,
2. Wzrokowo określić pożądaną pozycję gniazd na rurkach tylnych wózka. Osprzęt powinien znajdować się na równej wysokości na obu tylnych słupkach (Rys. 3) oraz równoległe do ramy siedziska (Rys. 4). Z założenia lepsze jest wyższe położenie na rurkach tylnych.
3. Zamontować gniazda osprzętu. (Rys. 5)
 - a. Poluzować śruby zacisku (A) przy użyciu załączonego klucza sześciokątnego 4 mm. UWAGA – Przy większej średnicy rurki śruby zacisku mogą wymagać całkowitego usunięcia.
 - b. Zamontować i wyrównać gniazdo z rurkami tylnymi wózka (B).
 - c. Ręcznie dokręcić śruby zacisku (A). UWAGA – Gniazda mogą wymagać dodatkowo bocznych regulacji, aby osiągnąć właściwe ustawienie.

Montowanie i wyrównanie osłony oparcia J3 (Rys. 6)

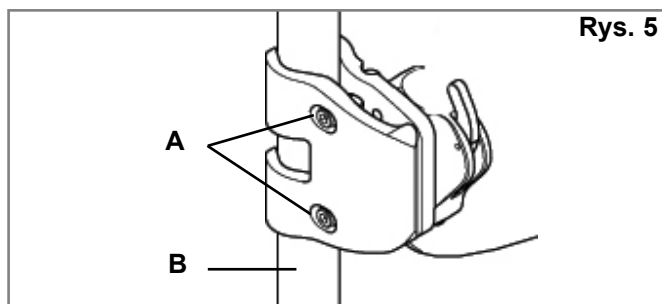
- a. Poluzować nakrętki wspornika (C) i zamontować nakrętki sworznia (F) za pomocą klucza nasadkowego 10 mm, aż osprzęt da się łatwo poruszać we wszystkich kierunkach.
- b. Zamontować oparcie J3 do gniazd osprzętu, wkładając lewe i prawe nakrętki mocujące (D) w lewe i prawe gniazda (E).
- c. Umieścić oparcie w przybliżonym położeniu, zarówno względem wózka jak i użytkownika.
- d. Ręcznie dokręcić nakrętki po wewnętrznej stronie sworznia mocującego (F).
UWAGA – Głębokość i kąt oparcia mogą wymagać dodatkowej regulacji, celem osiągnięcia właściwego dopasowania do użytkownika.
- e. Ręcznie dokręcić nakrętki wspornika (C). UWAGA – Wysokość oparcia może wymagać dodatkowej regulacji, celem osiągnięcia właściwego dopasowania do użytkownika.
- f. Sprawdzić zwalnianie oparcia poprzez popchnięcie dźwigni zwalniania w przód i odłączenie oparcia od wózka. (Dalsze informacje znajdują się w rozdziale Demontaż i wymiana.) Ustawienie osprzętu montażowego i oparcia jest właściwie gdy z łatwością można dokonać płynnego montażu i demontażu.
- g. Jeśli właściwe ustawienie nie zostało osiągnięte, należy regulować elementy do momentu uzyskania prawidłowego ich ustawienia.
- h. Gdy ustawienie jest właściwe, należy dokręcić śruby zacisku gniazda osprzętu. Zalecane ustawienia momentu obrotowego w zakresie 8,5 - 9,3 Nm.



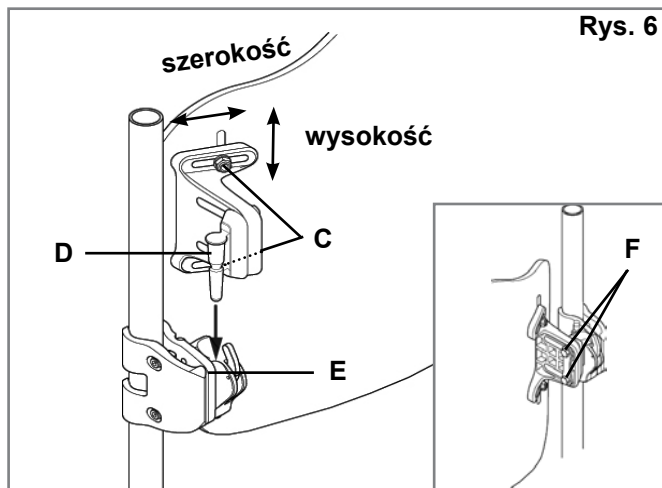
Rys. 3



Rys. 4



Rys. 5



Rys. 6

REGULACJA WYSOKOŚCI, GŁĘBOKOŚCI I KĄTA OPARCIA J3

Pierwsza faza montażu osprzętu oparcia J3 jest kompletna. Teraz jest odpowiednia pora, by użytkownik zajął miejsce na wózku, celem dopasowania oparcia J3. Nie wolno naciskać pełną siłą na oparcie, dopóki nie zostanie ono całkowicie dokręcone do wymaganej siły dokręcenia śrub.

1. Regulacja wysokości (Rys. 10)

- Określić żądaną wysokość oparcia gdy użytkownik znajduje się na wózku. Gdy ustawienia zostaną określone, użytkownik winien zaprzestać nacisku na oparcie J3 poprzez pochylenie lub częściowe przesunięcie do przodu, w celu umożliwienia przeprowadzenia dokonania regulacji.
- Należy poluzować nakrętki wspornika (A) i regulować wysokość tylnej osłony do wymaganej pozycji.
- Mocno dokręcić nakrętki wspornika (A). Zalecane ustawienia siły docisku śrub w zakresie 8,5 - 9,3 Nm.

UWAGA:

Po dokonaniu regulacji wysokości sprawdzić czy szerokość nie została nieumyślnie zmieniona.

2. Regulacja głębokości/kąta (Rys. 11, 12 i 13)

Należy zwrócić uwagę, że zamówić można dwa typy osprzętu – standardowy (Rys. 11) lub dłuższy, regulowany (Rys. 12). Oba zestawy osprzętu regulowane są tak samo, ale osprzęt standardowy pozwala na regulację głębokości w zakresie 5 cm (Rys. 11), podczas gdy rozszerzony osprzęt (regulowany osprzęt) pozwala ogólnie na regulację głębokości w zakresie 8,65 cm (Rys. 12).

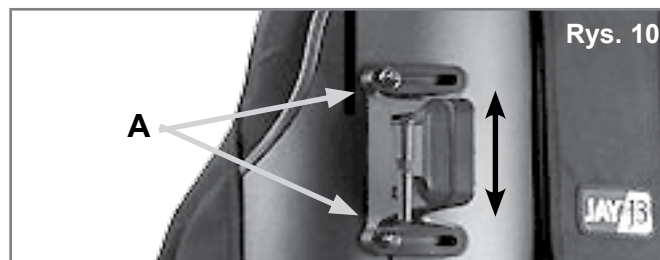
- Aby wyregulować głębokość i kąt oparcia J3, należy poluzować lewe i prawe nakrętki (Rys. 13, B) w gniazdach wspornika.
- Wyregulować głębokość i/lub kąt i mocno dokręcić. Zalecane ustawienia siły docisku śrub w zakresie 11,3 - 12,4 Nm. Należy upewnić się, że żadna z nakrętek regulacji głębokości (Rys. 13-B) nie ześlizgnie się ani nie obróci.
- Jeśli niezbędna jest dodatkowa głębokość, zdjąć oparcie z gniazd. Usunąć śruby (Rys. 11–12, D) z gniazd przy użyciu załączonego klucza sześciokątnego 4 mm i zmienić pozycję do żądanej głębokości. Uwaga: Przed założeniem śrub zaleca się nałożenie na gwinty gniazda i śruby odpowiedniego środka do uszczelniania gwintów o średniej mocy np. Loctite 243. Należy to wykonać w przypadku zmiany położenia oparcia. Dokręcić śruby momentem: 2,8 - 4 Nm.

⚠ OSTRZEŻENIE

Po dokonaniu wszystkich regulacji, gdy oparcie J3 jest gotowe do użytku, należy upewnić się, że cały osprzęt został właściwie dokręcony.

⚠ OSTRZEŻENIE

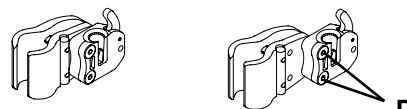
Aby zapewnić maksymalne bezpieczeństwo mocowania oparcia, przed rozpoczęciem eksploatacji należy zamontować sworzeń zabezpieczający, (Rys. 14 i 15).



Rys. 10

Osprzęt kompaktowy — 2 ustawienia głębokości

Rys. 11

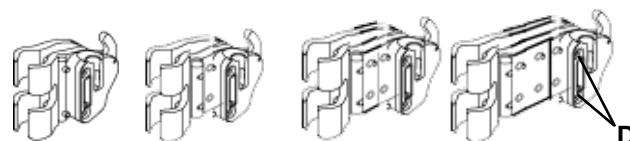


Głębokość 1

Głębokość 2

Wzmocniony osprzęt kompaktowy

Rys. 12

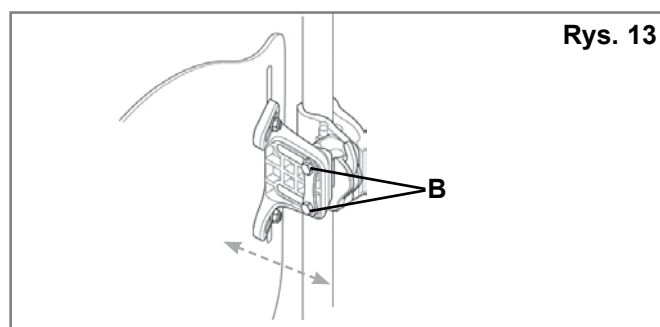


Głębokość 1

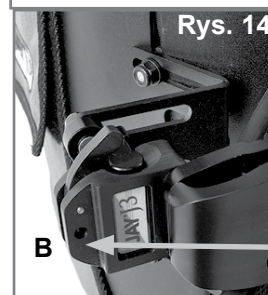
Głębokość 2

Głębokość 3

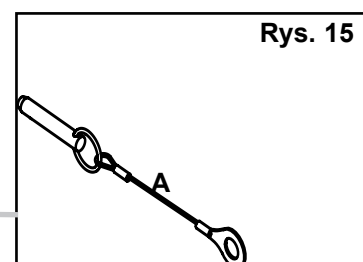
Głębokość 4



Rys. 13



Rys. 14



Rys. 15

MONTAŻ KLAPY ZASŁANIAJĄCEJ

1. Podnieś górną klapę pokrowca oparcia J3 (Rys. 17)
2. Przy użyciu rzepu przyczep klapę zasłaniającą do tylnej części pokrowca oparcia J3 (Rys. 17). Ponownie zapnij górną klapę pokrowca, aby klapa zasłaniająca znajdowała się pomiędzy dolną i górną klapą pokrowca (Rys. 18).
3. Zdejmij poduszkę siedziska z wózka, a następnie umieść „ogon” klap zasłaniającej pomiędzy podstawą siedziska, a poduszką (Rys. 20).
4. Dopasuj położenie klap zasłaniającej poprzez wsunięcie „ogona” klap pod poduszkę siedziska lub wysunięcie go. Można też podnieść lub opuścić górną część klap zasłaniającej znajdującą się na oparciu.
5. Przełóż paski z rzepami przez odpowiednie przelotki w klapie zasłaniającej, a następnie owiń je wokół ramy wózka i przełóż końcówkę rzepu przez przelotkę na końcu (Rys. 21). Zaciśnij i zapnij odstające elementy, aby zakryć otwory w klapie zasłaniającej (Rys. 22).

Opcjonalna tylna torba

UWAGA: Do klap zasłaniającej można także przymocować opcjonalną tylną torbę (Rys. 16).



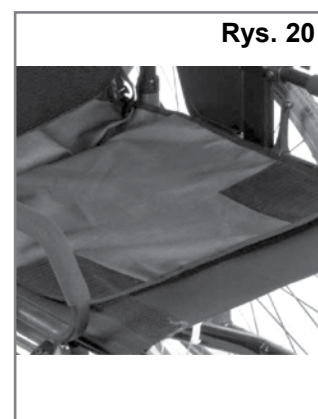
Rys. 17



Rys. 18



Rys. 19



Rys. 20



Rys. 21



Rys. 22



Rys. 16



Rys. 23

Zamontowana klapa zasłaniająca oparcia J3

ELEMENTY POZYCJONUJĄCE KRĘGOSŁUP




Elementy pozycjonujące system wyrównania kręgosłupa są zaprojektowane w sposób zapewniający odpowiednie podparcie ciała przy gotowym oparciu. (W zależności od rynku nabywcy, elementy systemu wyrównania kręgosłupa mogą być załączone do oparcia.) Aby zainstalować system wyrównania kręgosłupa, należy przeczytać niniejszą instrukcję.

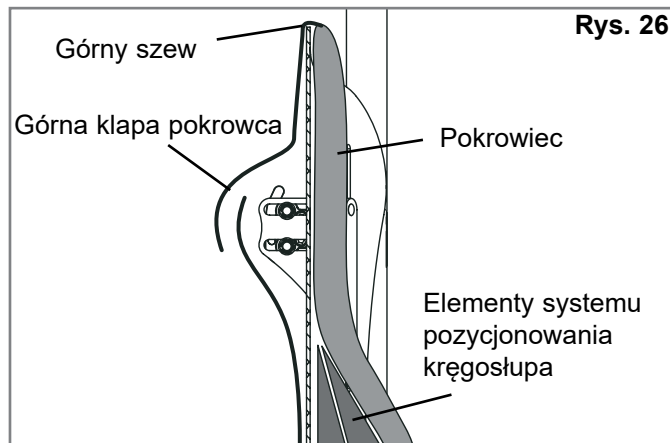
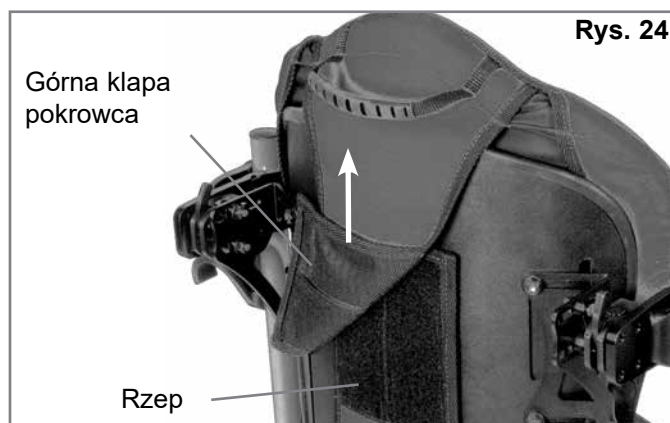
1. Montaż elementów systemu pozycjonowania kręgosłupa

- Użytkownik winien zaprzestać nacisku na oparcie J3 poprzez pochylenie lub częściowe przesunięcie do przodu, jeśli to możliwe.
- Odpiąć rzep na górnej klapie pokrowca (Rys. 24) i odchylić pokrowiec w przód, aby uzyskać dostęp do wnętrza oparcia J3.
- Umieścić elementy pozycjonujące na rzepie po wewnętrznej stronie osłony (Rys. 25) i ponownie przymocować górną część kłapy zasłaniającej. Pociągnąć w dół, aby górny szew był wyrównany do góry osłony. Jeśli szew nie jest wyrównany, może być konieczne poluzowanie dolnej części pokrywy (Rys. 26).
- Użytkownik winien sprawdzić komfort i wsparcie ustawień systemu wyrównania kręgosłupa. Kroki a-c należy powtarzać do zakończenia regulacji.
- Używać można wielu konfiguracji i kombinacji elementów systemu pozycjonowania kręgosłupa. Jeśli wymagane są dodatkowe kształty lub rozmiary systemu wyrównania kręgosłupa, należy skontaktować się z dystrybutorem firmy Sunrise Medical.

UWAGA:

W celu uzyskania dalszych informacji o systemie wyrównania kręgosłupa J3 należy zapoznać się z animacją na stronie internetowej www.sunrisemedical.com. Instalacja oparcia J3 jest zakończona.

Elementy pozycjonujące	
Duży element lędźwiowy	
Mały element lędźwiowy	
Klin	
Zakrzywiona podkładka	
Płaska podkładka	
Tylna/boczna pelota biodrowa	
Podkładka boczna	
Duża kieszeń	
Mała kieszeń	



AKCESORIA J3

Jeśli zamówione zostały akcesoria J3 takie jak elementy boczne, zagłówki lub uprząże, należy zastosować instrukcje instalacji w odniesieniu do tych elementów.

BEZPIECZEŃSTWO TRANSPORTU OPARCIA

Oparcie J3 zostało przetestowane dynamicznie pod kątem użytkowania w pojazdach silnikowych. Należy stosować wszystkie instrukcje dotyczące montażu, używania i konserwacji zawarte w niniejszym podręczniku, a także instrukcje dotyczące transportu opisane poniżej.

OSTRZEŻENIE

**NIESTOSOWANIE SIĘ DO TYCH OSTRZEŻEŃ
MOŻE SKUTKOWAĆ POWAŻNYMI OBRAŻENIAMI
UŻYTKOWNIKA I INNYCH OSÓB.**

INSTRUKCJA

1. Jeśli to możliwe, należy przenieść użytkownika na fotel zamontowany fabrycznie w pojeździe, powinien on także używać pasów bezpieczeństwa pojazdu.
2. Odległość pomiędzy ramieniem użytkownika i górną częścią oparcia nie powinna przekraczać 6,5" (16,5 cm).
3. Wózek musi być oznakowany jako odpowiedni do użytkowania w postaci siedzenia w pojeździe silnikowym, przetestowany dynamicznie pod kątem parametrów wymaganych przez normy ISO 7176-19 i zmontowany, używany i konserwowany zgodnie z instrukcją producenta.
4. Jeśli oryginalne siedzisko wózka zostało wymienione, nowe siedzisko musi spełniać wymagania dotyczące transportu wózka oraz być zamontowane i używane zgodnie ze wskazaniami zawartymi w instrukcji obsługi.
5. System mocowania wózka i pasów bezpieczeństwa pasażera (WTORS) powinien być kompatybilny z określonym typem wózka, użytkowany zgodnie ze wskazaniami zawartymi w instrukcji producenta, a także powinien być zgodny z parametrami wymaganymi przez normy ISO 10542.
6. Podczas transportu wózek musi być skierowany przodem do kierunku jazdy.
7. W celu zmniejszenia potencjalnych obrażeń pasażerów pojazdu, akcesoria zamontowane do wózka, takie jak odchylane półki i sprzęt wspomagający układ oddechowy, powinny być zdemonstrowane i zabezpieczone osobno.
8. Produkt ten przeznaczony jest do użytku przez osoby dorosłe ważące od 35 kg do 136 kg.
9. Urządzenia do wsparcia postawy, takie jak biodrowe pasy pozycjonujące, przednie wsparcie tułowia lub środki wsparcia postawy, takie jak boczne wsparcie tułowia, nie powinny być stosowane do zabezpieczenia użytkownika w poruszającym się pojeździe, o ile nie zostały oznaczone jako spełniające normy ISO 16840-4.
10. Nie wolno dokonywać zmian żadnego z elementów produktu bez konsultacji z producentem.

DEMONTAŻ I WYMIANA

Demontaż

Po montażu i regulacji, w razie konieczności oparcie można łatwo zdemontować z wózka. W celu wymontowania należy przesunąć wszystkie dźwignie zwalniające do przodu. Skutkuje to odblokowaniem (Rys. 27). Po umieszczeniu obu dźwigni w położeniu przednim wystarczy podnieść oparcie (Rys. 28) za pomocą uchwytu znajdującego się w górnej części oparcia.

Prawidłowe ponowne zamontowanie po demontażu

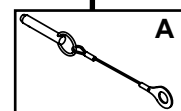
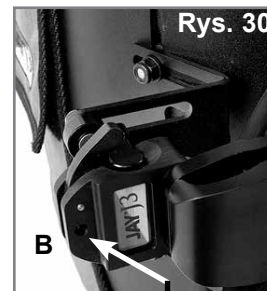
Aby ponownie zamontować oparcie w gniazdach osprzętu, należy wyrównać sworznie z gniazdami i wepchnąć je na miejsce. (Rys. 29). Prawidłowo włożone kołki zatrzasną się w położeniu zablokowania.

⚠ OSTRZEŻENIE

W razie braku pewności, czy słycać było kliknięcie blokujące, pociągnąć oparcie za pomocą uchwytu celem upewnienia się, że zostało bezpiecznie zablokowane.

Kołki blokujące (Rys. 30)

Oparcie J3 dostarczane jest z dwoma kołkami blokującymi, które, gdy są zabezpieczone, zapobiegają zwolnieniu oparcia z wózka. Aby zablokować, należy włożyć kołki (A) do gniazd montażowych (B). Po wyjęciu kołków możliwy jest szybki demontaż.



PRZECIWWSKAZANIA:**⚠ OSTRZEŻENIE**

Nie wolno użytkować oparcia przez użytkowników o masie przekraczającej dopuszczalną wagę.

RECYKLING I PONOWNE UŻYTKOWANIE:**⚠ OSTRZEŻENIE**

- Ryzyko urazu
- Przed przekazaniem produktu innemu użytkownikowi autoryzowany sprzedawca Sunrise Medical powinien dokonać jego sprawdzenia pod kątem uszkodzeń lub zużycia. W przypadku wykrycia uszkodzeń **NIE WOLNO UŻYWAĆ PRODUKTU**.
- Nieprzestrzeganie tych ostrzeżeń może skutkować poważnymi obrażeniami.

Produkt nadaje się do ponownego użytku*:

- Autoryzowany sprzedawca Sunrise Medical powinien dokonać sprawdzenia osłony, klamer montażowych, pianki i pokrowca pod kątem uszkodzeń lub zużycia. W przypadku wykrycia uszkodzeń nie wolno używać produktu.
- Wyczyścić i zdezynfekować osłonę, klamry montażowe, piankę i pokrowiec zgodnie z lokalnymi przepisami. Szczegółowe informacje można uzyskać w lokalnej organizacji odpowiedzialnej za nadzór nad zakażeniami.
- Po wyczyszczeniu i dezynfekcji autoryzowany sprzedawca Sunrise Medical powinien przeprowadzić kolejne sprawdzenie osłony, klamer montażowych, pianki i pokrowca, aby upewnić się, że podczas czyszczenia i dezynfekcji nie powstały żadne uszkodzenia.

⚠ OSTRZEŻENIA:

- Nieprzestrzeganie tych wskazówek może doprowadzić do poważnego urazu użytkownika.
- Przed użyciem u kolejnego pacjenta produkt powinien zostać dopasowany do nowego użytkownika przez autoryzowanego sprzedawcę Sunrise Medical, lekarza lub fizjoterapeutę.

24 MIESIĄCE GWARANCJI**24 MIESIĄCE GWARANCJI**

Celem zapewnienia najlepszego działania, każde oparcie JAY J3 jest dokładnie kontrolowane i przetestowane. Każde oparcie JAY J3 posiada gwarancję braku defektów materiałowych oraz jakości wykonania na okres 24 miesięcy normalnego użytkowania, licząc od daty zakupu. W razie wystąpienia defektów materiałów lub jakości wykonania w ciągu 24 miesięcy od daty zakupu, firma Sunrise Medical nieodpłatnie dokona naprawy lub wymiany. Gwarancja ta nie obejmuje przebić, rozdarć czy nadpaleń, również na zdejmowanym pokrowcu oparcia.

Reklamacje i naprawy powinny być przeprowadzane przez najbliższego autoryzowanego dostawcę. Nie udziela się żadnych innych gwarancji niż wyraźnie wymienione w niniejszym dokumencie, w tym dorozumianych gwarancji przydatności handlowej i gwarancji przydatności do określonego celu. Nie obowiązują żadne gwarancje przekraczające opisany tu zakres. Prawa związane z naruszeniem niniejszych wyraźnych gwarancji są ograniczone do naprawy lub wymiany towarów. Zobowiązania wynikające z naruszenia gwarancji w żadnym wypadku nie obejmują szkód wynikających z użytkowania towarów niezgodnych z wymaganiami.

Sunrise Medical anbefaler, at man rådfører sig med sin læge eller terapeut med erfaring i siddestilling og positionering for at afgøre, om et J3-ryglæn er egnet til det påtænkte formål.

⚠ ADVARSEL!

Ryglæn bør kun monteres af:

- en autoriseret Sunrise Medical-forhandler
- en kvalificeret og kompetent sundhedsmedarbejder, som har modtaget forsvarlig og anerkendt oplæring heri af enten Sunrise Medical eller deres autoriserede forhandler.

ANVENDELSESFØRMÅL FOR JAY J3-RYGLÆNET

JAY J3-ryglænet er beregnet til at give rygstøtte til kørestolsbrugere med vidt forskellige behov. Det avancerede design har til formål at yde enkel, komfortabel og effektiv støtte, som giver maksimal funktionsevne og gør brugeren i stand til at sidde i kørestolen i længere tid ad gangen. Desuden betyder det slidstærke letvægtsdesign, at ryggen er let at anvende.

Ryglænet kan monteres på en lang række kørestolsmodeller.

Maks. brugervægt:

136 kg – kompakt (og gammel standard hardware)

227 kg – tung kompakt hardware

Ryglænets forventede levetid er 4 år.

⚠ ADVARSEL

Montering af en rygstøtte i en kørestol kan påvirke tyngdepunktet, så man risikerer, at kørestolen tipper bagover og forårsager personskader.

Man bør derfor altid vurdere, om der er behov for at montere antitipstøtter eller amputationsakselplade for at opnå øget stabilitet.

⚠ ADVARSEL

Brug ikke J3-ryglænet til at skubbe eller løfte kørestolen med. Forkert brug medfører risiko for, at ryggen pludselig glider fri af kørestolen.

⚠ ADVARSEL

Brug ikke J3-ryglænets håndtag til at løfte kørestolen i. Håndtaget må kun bruges til at fjerne ryggen.

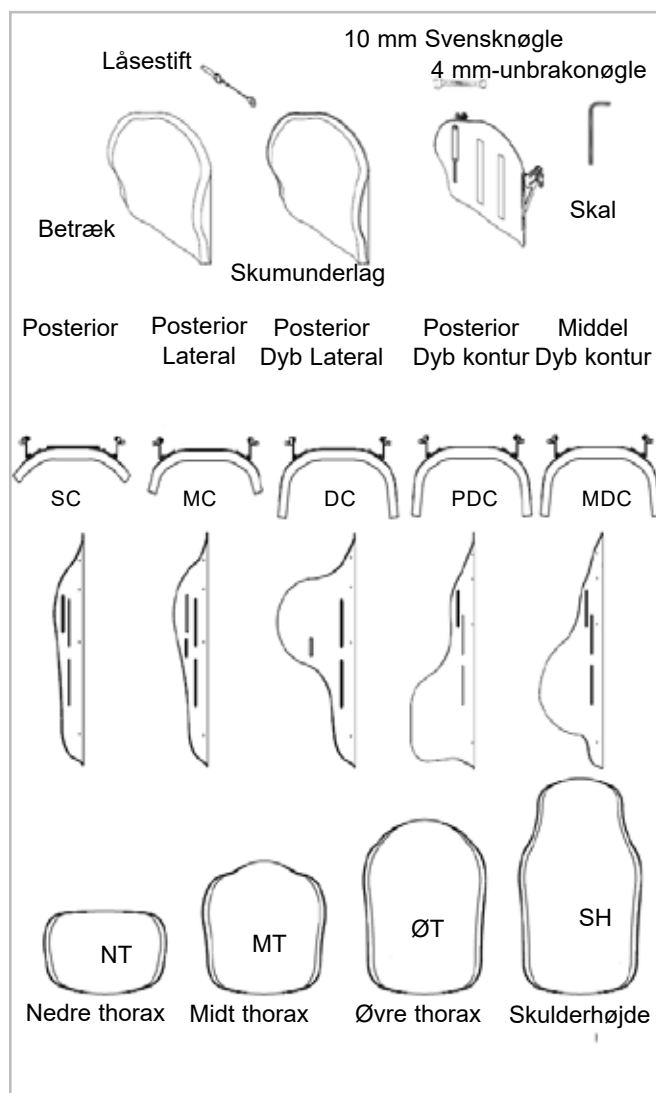
⚠ ADVARSEL

Uagtsomhed medfører brandfare.

⚠ ADVARSEL

Brugervejledningen bør læses nøje, inden produktet tages i brug.

J3 RYGSTØTTE



VEDLIGEHOVELSE

Sunrise anbefaler at alle fastgørelseselementer kontrolleres hver 6. måned for slitage, for eksempel løse bolte eller knækkede dele. Løse fastgørelseselementer skal spændes fast igen i henhold til monteringsvejledningen. Alle fastspændingselementer skal spændes ifølge de tilspændingsmomenter, der er angivet i afsnittet om montering af beslag. Hvis det konstateres, at der findes løse eller ødelagte dele, må systemet ikke bruges, og du skal straks kontakte din autoriserede Sunrise Medical-forhandler for at få dem udskiftet.

NEM RENGØRING

BEMÆRK:

Når ryglænet skal skilles ad for rengøring, er det vigtigt at bemærke placeringen af Velcro®-stykkerne til ryggradsstøtte, så de kan genmonteres korrekt.

Rengøring af ryggens betræk

Betrækket fjernes ved at trække velcrostropperne fri. Fjern betrækket fra ryglænsskallen. Find lynlåsen i bunden af betrækket, og lyn den op. Fjern skumstykket, og vend vrangen ud på betrækket. Lyn betrækket i for at undgå, at lynlåsen hænger fast i stoffet. Maskinvask i varmt vand (60° C) Dryptør eller brug tørretumbler på lav varme.

BEMÆRK:

- Tåler ikke kemisk rens. Betrækket må ikke vaskes og/eller tørres i industrielle maskiner.
- Tåler ikke dampsterilisering (autoklave).
- Undgå blegning.






Læg skumstykket ind i betrækket igen. Bemærk, at skumstykket består af to skumlag. Når skumstykket lægges ind i betrækket, skal du sørge for, at det tynde, lysegrå skumlag vender ind mod ryglænsskallen. Lyn lynlåsen helt i, når skumstykket ligger på plads i betrækket.

Rengøring af ryglænsskallen

Skallen kan tørres af med vand og sæbe. Yderligere vedligeholdelse er normalt ikke nødvendig.

Rengøring af positioneringskomponenter

Positioneringskomponenterne kan tørres af med vand og sæbe. Positioneringskomponenterne må ikke dypes i vand. Hvis du har yderligere spørgsmål om rengøring, kan du kontakte din autoriserede Sunrise Medical-forhandler.

Vaskesymboler	
	Maskinvask i varmt vand (60° C)
	Tåler blegning, men ikke med klor
	Dryptørring
	Undgå strygning
	Tåler ikke kemisk rens

SIKRING AF KOMPATIBILITET

Kørestolstyper

J3-ryglænet er konstrueret til at være kompatibelt med de fleste kørestolsmodeller, dog med følgende undtagelser: Kørestole med vinkeljustering, tilbagelænings- eller hældningsfunktion, som kan give en ryglænsvinkel på mere end 60 grader fra lodret position bør ikke anvendes med dette ryglæn.

⚠ ADVARSEL

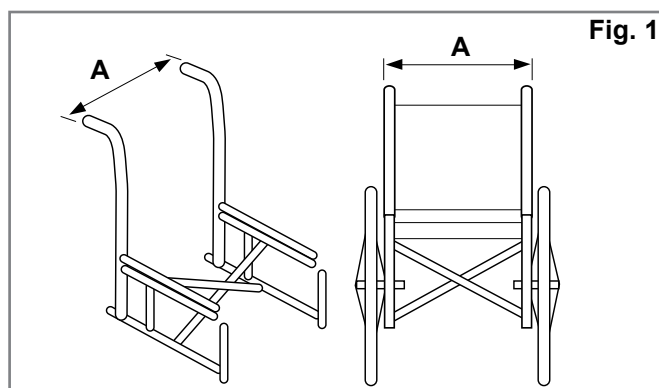
Montering på disse kørestolsstyper medfører risiko for, at ryggen pludselig glider fri af kørestolen, så brugeren kan falde ud og dermed pådrage sig alvorlige kvæstelser.

Kørestolens dimensioner

J3-ryglænet er beregnet til at erstatte kørestolens ryglænsbolstring. Inden montering skal det fastslås, om kørestolen har kompatible ryglænsrør. Dette gøres ved at måle bredden mellem ryglænets rør som vist på figur 1. Ved at bruge dette mål kan du kontrollere i tabel 1, om ryglænet passer til din kørestol.

Derefter skal du kontrollere, om ryglænsrørene har den rette diameter. J3-ryglænets beslag kan monteres på kørestole, hvor ryglænsrørene måler mellem 1,9 cm og 2,85 cm (3/4" og 1 1/8") i diameter. Mål omkredsen på ryggens rygrør (Fig. 2) og henvis til tabel 2 for at sikre at rygrørene er kompatible.

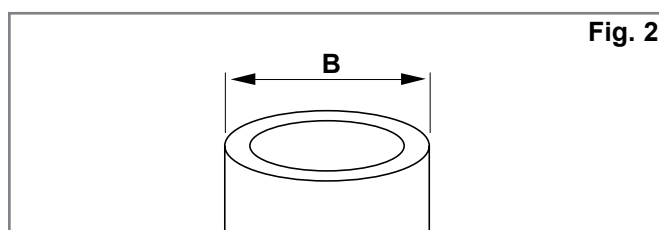
Hvis du ikke kan afgøre, om ryglænsrørene er kompatible, bedes du kontakte din autoriserede Sunrise Medical-leverandør eller Sunrise Medicals kundeservice.



Tabel 1

J3-ryglænsbredde* (alle konturer)	Bredden af ryggens rygrør fra rørenes yderside til yderside (Fig. 1-A)			
	Minimumsbredde		Maksimumsbredde	
	Tommer	cm	Tommer	cm
12" 31 cm	11,7	29,7	14,3	36,3
14" 36 cm	13,7	34,9	16,3	41,3
16" 41 cm	15,7	40,0	18,3	46,4
18" 46 cm	17,7	45,1	20,3	51,6
20" 51 cm	19,7	50,1	22,3	56,5

* Ryglænsbredden er angivet i ryglænets varenummer. Eksempel: J3SCMTS36 er et 36 cm bredt ryglæn.





Tabel 2

J3-ryglænsbredde (alle konturer)	Ryglænsrørets diameter (Fig. 2-B)			
	Minimumsbredde		Maksimumsbredde	
	tommer	cm	tommer	cm
14-20" (36-51cm)	3/4	1,9	1-1/8	2,85

MONTERING AF RYGLÆNSBESLAG

Inden monteringen bedes du læse alle anvisningerne i dette afsnit. Selve monteringen af J3-ryglænet skal helst foretages på en tom kørestol. Så snart ryggen er monteret og de nødvendige justeringer udført, kan brugeren sætte sig i kørestolen igen.

Kræver følgende værktøj (følger med J3-ryglænet)*

- 4 mm-unbrakonøgle 
- 10 mm-topnøgle 

BEMÆRK:Når der angives bestemte tilspændingsmomenter, anbefales det på det kraftigste, at man anvender en momentmåler (følger ikke med J3-ryglænet) for at sikre, at man opnår det rette moment.

Monteringsanvisninger for beslag (Fig. 3, 4, 5)

Gyldig til alle hardwaretyper (kompakt, tung kompakt og gammel standard).

1. Afmonter kørestolens oprindelige ryglæn i henhold til fabrikantens vejledning.
2. Se efter på kørestolens ryglænsrør for at fastslå, hvor beslagene bør placeres. Monterings hardwaren bør omtrentligt have den samme højde på hver ryg rør (Fig. 3) og parallelt til sæderammen (Fig. 4). Generelt gælder det, at højere placeringer på ryglænsrørene fungerer bedst.
3. Sæt beslagene på. (Fig. 5)
 - a. Skru spændeskruerne (A) løs ved hjælp af den medfølgende 4 mm-unbrakonøgle. BEMÆRK – Ved store rørdiameterer skal spændeskruerne muligvis fjernes helt.
 - b. Fastgør og indstil beslagene på kørestolens ryglænsrør (B).
 - c. Spænd spændeskruerne (A) med hånden. BEMÆRK – Beslagene kræver muligvis yderligere sidejustering for at sikre, at de sidder korrekt i forhold til hinanden.

Fastgøring og justering af J3-ryglænets skal (Fig. 6)

- a. Skru bæremøtrikkerne (C) og monteringsstiftmøtrikkerne (F) løs ved hjælp af en 10 mm-topnøgle, indtil beslagene let kan drejes i alle retninger.
- b. Fastgør J3-ryglænet i beslagene ved at sætte de venstre og højre monteringsstifter (D) i venstre og højre beslag (E).
- c. Placér ryggen i den omtrentlige slutposition, både i forhold til kørestolen og brugeren.
- d. spænd møtrikkerne på indersiden af monteringsstifterne (F) med hånden. BEMÆRK – Ryglænets dybde og vinkel skal muligvis justeres yderligere for at sikre, at det passer korrekt til brugeren.
- e. Spænd bæremøtrikkerne (C) med hånden. BEMÆRK – Ryglænets højde skal muligvis justeres yderligere for at sikre, at den passer korrekt til brugeren.
- f. Afprøv ryglænets udløsningsmekanisme ved at skubbe udløsergrebene fremad og tage ryglænet af kørestolen. (Yderligere oplysninger findes i afsnittet "Aftagning og genmontering"). Monteringsbeslagene og ryggen er justeret korrekt i forhold til hinanden, når ryglænet glider ubesværet af og på.
- g. Hvis de ikke passer ordentligt i forhold til hinanden, skal komponenterne justeres, indtil de sidder korrekt.
- h. Når de sidder korrekt, spændes beslagenes spændeskruer fast. Det anbefalede tilspændingsmoment er 8,5 - 9,3 Nm.

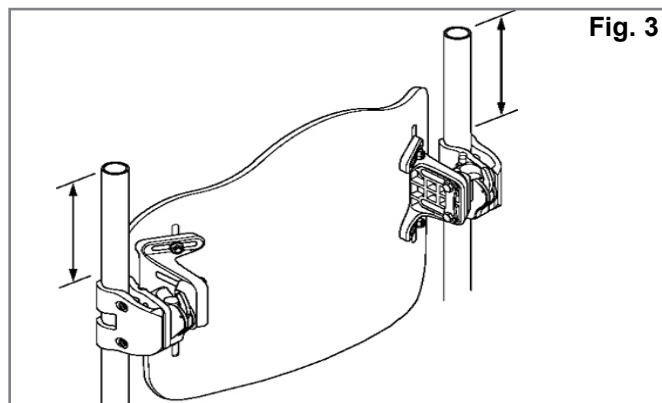


Fig. 3

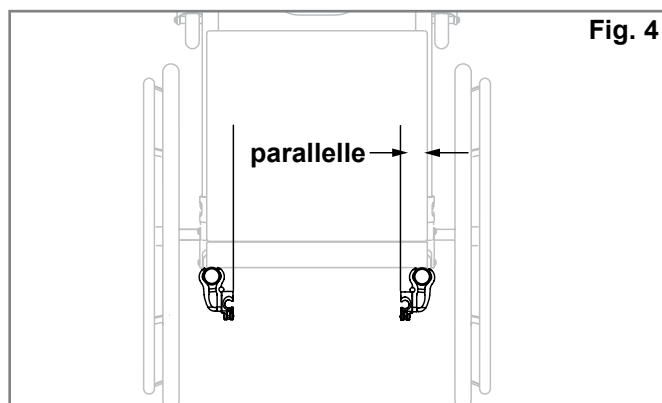


Fig. 4

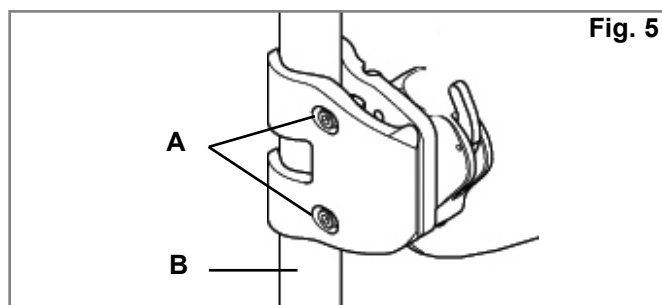


Fig. 5

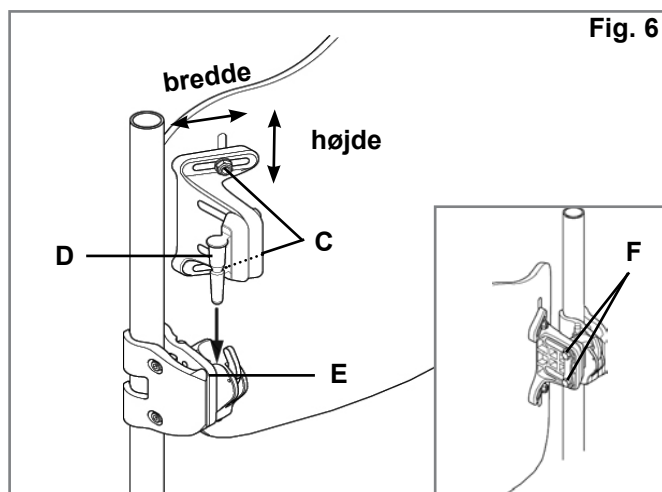


Fig. 6

JUSTERING AF J3-RYGLÆNETS HØJDE, DYBDE OG VINKEL

Første trin i monteringen af J3-ryglænets beslag er nu gennemført. Herefter er det en god idé at få brugeren til at sidde i kørestolen igen, så J3-ryglænet kan tilpasses individuelt. Brugeren må dog ikke lægge fuldt tryk på ryggen, da det endnu ikke er spændt helt til de krævede tilspændingsmomenter.

1. Højdejustering (Fig. 10)

- Mens brugeren sidder i kørestolen, skal ryggens ønskede højde fastslås. Når den er fastslået, skal man fjerne trykket på J3-ryglænet ved, at brugeren læner sig forover eller glider delvist fremad, så justeringen kan finde sted.
- Skru bæremøtrikkerne (A) løs, og justér højden på ryglænets skal til den ønskede position.
- Spænd bæremøtrikkerne (A) forsvarligt. Det anbefalede tilspændingsmoment er 8,5 - 9,3 Nm.

BEMÆRK:

Når højdejusteringen er udført, skal du kontrollere at, bredden ikke er ændret ved en fejltagelse.

2. Justering af dybde/vinkel (Fig. 11, 12 og 13)

Bemærk at der kan bestilles to typer hardware – standard hardware (Fig. 11) eller den længere, justerbare hardware (Fig. 12). Begge sæt af hardware justeres på samme måde, men standard hardwaren har 2 tommer ekstra for at muliggøre justering af dybde (Fig. 11), mens den udvidede hardware (justerbare hardware) gør det muligt i alt at justere med 3,4 tommer (Fig. 12).

- For at justere J3 rygstøttens dybde og vinkel, løsgør de venstre og højre møtrikker (Fig. 13-B) på beslagets riller.
- Justér dybden og/eller vinklen, og spænd møtrikkerne forsvarligt. Det anbefalede tilspændingsmoment er 11,3 - 12,4 Nm. Sørg for, at ingen af dybdejusteringsmøtrikkerne (Fig. 13-B) kan glide eller dreje.
- Hvis der er behov for yderligere dybde, skal ryglænet tages af beslagene. Fjern skruerne (Fig. 11-D, 12-D) fra beslagene med den medfølgende 4mm sekskantnøgle og omplacer til den ønskede dybde. Bemærk: Inden skruerne sættes i igen, anbefales det på det kraftigste, at man smører beslaget og skruernes gevind med en middelstærk låsevæske egnet til formålet, f.eks. Loctite 243, hvis ryglænet skal indstilles i en ny position. Spænd skruerne til 2,8 - 4 Nm.

⚠ ADVARSEL

Når alle justeringerne er udført, skal du sikre dig, at alle beslag er spændt korrekt, hvorefter J3-ryglænet er klar til brug.

⚠ ADVARSEL

For at sikre, at ryglænet monteres så sikkert som muligt, skal låsestiften sættes i, inden ryglænet kan anvendes, (Fig. 14 og 15).

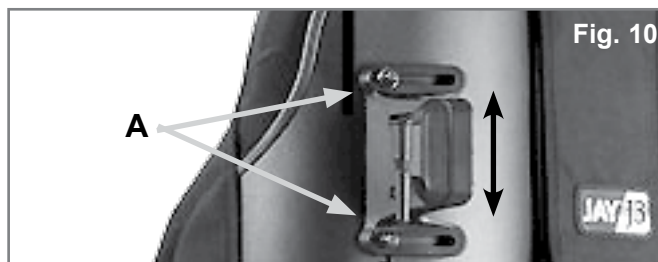
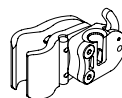


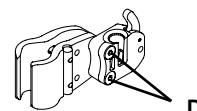
Fig. 10

Kompakt Hardware – 2 dybdeindstillinger

Fig. 11



Dybde 1



Dybde 2

HD kompakt hardware

Fig. 12



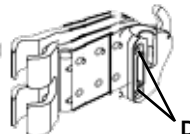
Dybde 1



Dybde 2



Dybde 3



Dybde 4

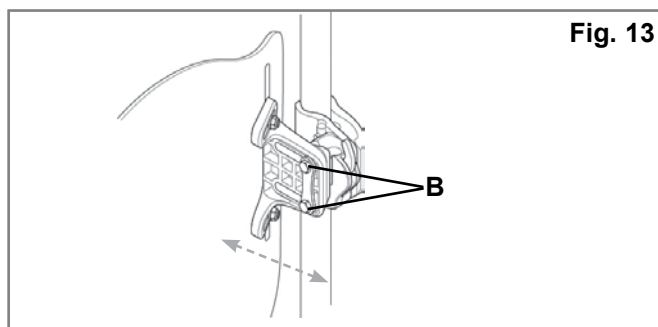


Fig. 13

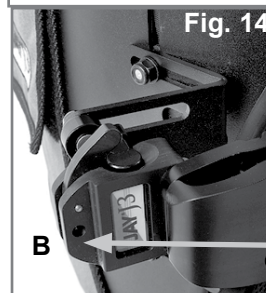


Fig. 14

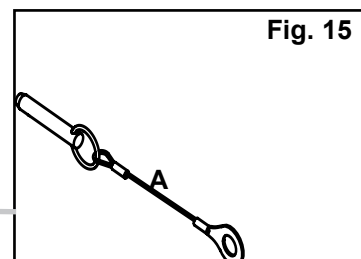


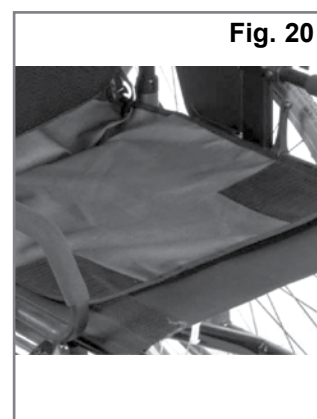
Fig. 15

MONTERING AF DISKRETIONSPOSEN

1. Løft den øverste klap på J3-ryglænets betræk (Fig. 17)
2. Sæt burrebåndene sammen, og fastgør klappen på bagsiden af J3-ryglænets betræk (Fig. 17). Placér betrækkets øverste klap sådan, at diskretionspose er puttet ind mellem den øverste og den nederste klap (Fig. 18).
3. Tag sædehynden af kørestolen, og put diskretionsposens endestykke ind mellem kørestolens faste sædebund og sædehynden (Fig. 20).
4. Diskretionsposen kan justeres efter ønske ved at trække endestykket længere ud eller skubbe det længere ind under sædehynden. Desuden kan diskretionsposens øverste del rykkes op eller ned bag på ryglænet, hvis det er nødvendigt.
5. Træk burrebåndsstropperne gennem de tilhørende øjer på diskretionsposen. Slå derefter stropperne rundt om kørestolsstellet, og før hver ende gennem slidsen i den pågældende strop (Fig. 21). Sæt dig godt på plads og luk de yderste spalter i diskretionsposen (Fig. 22).

Opbevaringspose som tilbehør

BEMÆRK: Der findes en opbevaringspose som tilbehør, der kan sættes på diskretionsposen (Fig. 16).



Korrekt monteret J3-diskretionsposen

KOMPONENTER TIL RYGRADSSTØTTE

Komponenterne til rygradsstøtte er beregnet til at give konturformet støtte fra et ryglæn i "standardudgave". (Afhængigt af, hvad der findes på markedet, kan komponenter til rygradsstøtte indgå i det udstyr, der følger med dit ryglæn.) For at installere Spine Align-komponenterne, bedes du læse de følgende anvisninger.

1. Inden monteringen bedes du læse følgende anvisninger



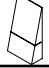






- Hvis det er muligt, bør brugeren lette trykket fra J3-ryglænet ved at læne sig forover eller glide delvist fremad.
- Fjern velcro strimlen på den øverste betræk klap (Fig. 24) og løft betrækket fremad for at afdække indersiden af J3 rygstøtten.
- Anbring komponenterne på velcro'en inde i skallen (Fig. 25) og genmonter den øverste betræk klap. Træk klappen ned, og sørg for at den øverste søm med toppen af skallen. Hvis sømmen ikke sidder korrekt, skal betrækkets nederste del muligvis løsnes (Fig. 26).
- Få brugeren til at afprøve rygradsstøttens aktuelle placering for at se, om den er komfortabel og giver støtte, og gentag trin a-c, indtil justeringen er gennemført.
- Komponenterne til rygradsstøtte kan anvendes i adskillige konfigurationer og kombinationer. Hvis du har brug for komponenter til rygradsstøtte i andre faconer eller størrelser, bedes du kontakte din Sunrise Medical-forhandler.

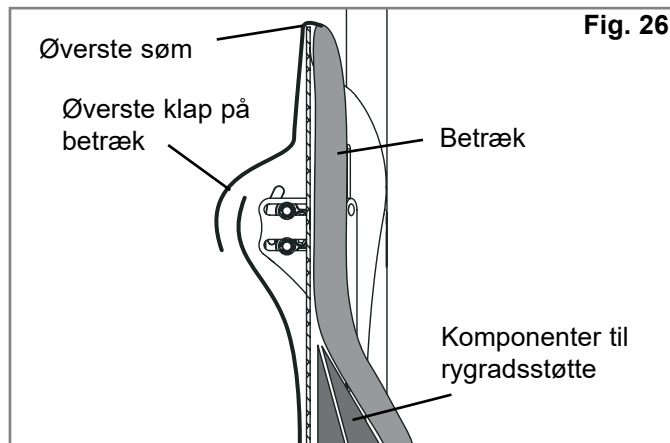
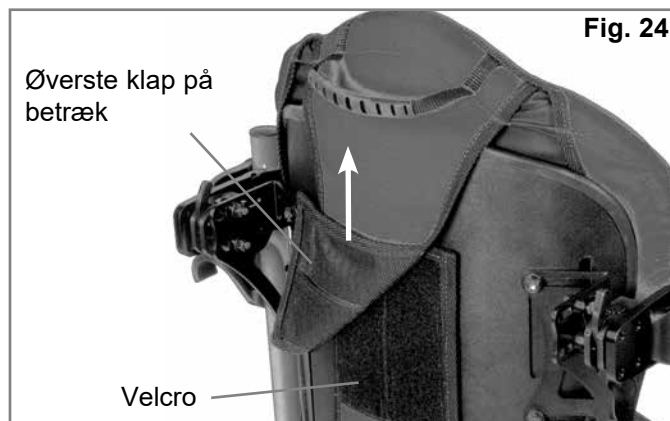
BEMÆRK:

Hvis du har brug for yderligere oplysninger om J3-rygradsstøttesystemet, kan du se en animeret demonstration på www.sunrisemedical.com. J3-ryglænet er nu monteret og klar til brug.

J3 EKSTRAUDSTYR

Hvis du har bestilt J3-tilbehør såsom lateraler, hovedstøtter eller seler, henvises der til monteringsvejledningerne for disse dele.

Positioneringskomponenter	
Stor lumbal	
Lille lumbal	
Kile	
Buet kile	
Flad kile	
Posterior/Lateral bækken	
Lateral kile	
Stor pose med kugler	
Lille pose med kugler	



SIKKERHED VED TRANSPORT AF RYGLÆNET

J3-ryglænet er dynamisk testet til brug i et motorkøretøj. Du bedes følge alle instrukser angående montering, brug og vedligeholdelse i denne brugsanvisning såvel som den transportvejledning, der findes nedenfor.

ADVARSEL

HVIS DER IKKE TAGES HØJDE FOR DISSE ADVARSLER, KAN DET MEDFØRE ALVORLIGE PERSONSKADER PÅ KØRESTOLSBRUGEREN ELLER ANDRE.

INSTRUKTIONER

1. Hvis det er praktisk muligt, bør brugeren sidde i et af de faste sæder i køretøjet og anvende køretøjets sikkerhedsseler.
2. Afstanden mellem brugerens nakke og ryglænets top bør ikke overstige 16,5 cm.
3. Kørestolen bør være mærket til brug som et sæde i et motorkøretøj, som er dynamisk testet i henhold til kravene til ydeevne angivet i DS/ISO-standard 7176-19, og den skal monteres, anvendes og vedligeholdes i henhold til fabrikantens vejledning.
4. Hvis det originale sæde i kørestolen er udskiftet, skal det nye sæde være godkendt til transport af kørestole samt installeres og anvendes som angivet i fabrikantens vejledning.
5. Kørestolens fastgøringsanordninger og selesystem (WTORS) bør være kompatibelt med den specifikke kørestol og anvendes som angivet i fabrikantens vejledning, og den bør opfylde kravene til ydeevne angivet i DS/ISO-standard 10542.
6. Kørestolen skal vende fremad under transport.
7. For at begrænse risikoen for skader på personer i køretøjet bør eventuelt tilbehør på kørestolen såsom bakker og åndedrætsudstyr fjernes og opbevares separat.
8. Dette produkt egner sig til at bruges af voksne, som vejer mellem 35 kg og 136 kg.
9. Tilbehør til støtte af kropsholdningen såsom hofteseler, kropsstøtter og holdningsstøtteanordninger må ikke anvendes som den eneste form for fastspænding af kørestolsbrugeren under transport i et køretøj, medmindre udstyret er godkendt og mærket i henhold til DS/ISO-standard 16840-4.
10. Der må ikke foretages ændringer eller udskiftninger af kørestolens konstruktionsmæssige komponenter, andre dele eller komponenter uden forudgående henvendelse til producenten.

AFTAGNING OG GENMONTERING

Aftagning

Efter udført montering eller justering kan ryggen nemt tages af kørestolen, hvis det er nødvendigt. For at fjerne, skub hvert udløsergreb fremad for at åbne det (Fig. 27). Når begge greb sidder i fremad stilling, skal rygstøtten simpelthen løftes lige op (Fig. 28) med håndtaget, som findes på toppen af rygstøtten.

Korrekt genmontering efter aftagning

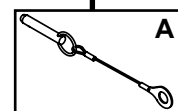
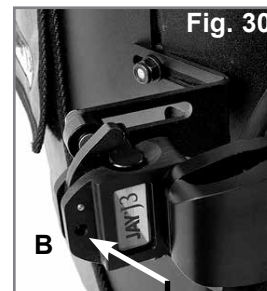
For at montere ryglænet på beslagene igen skal stifterne ganske enkelt bringes på linje med beslagene og skubbes på plads (Fig. 29). Stifterne sidder korrekt, når de låses fast med et klik.

⚠ ADVARSEL

Hvis du ikke er sikker på, om du har hørt "klikket", skal du trække op i ryglænet ved hjælp af håndtaget for at sikre dig, at det er forsvarligt låst fast.

Låsestifter (Fig. 30)

J3-ryglænet leveres med to låsestifter, og når de er fastgjort, forhindrer de ryglænet i at komme fri af kørestolen. Sæt stifterne (A) i monteringsbeslagene (B), hvorved de låses på plads. Hvis man ønsker at bruge quick release-udløseren i stedet, skal man ganske enkelt fjerne stifterne.



KONTRAINDIKATIONER:**⚠ ADVARSEL**

Dette ryglæn må ikke bruges eller ordineres for personer, som overstiger den angivne maksimale brugervægt.

RECIRKULERING / GENBRUG:**⚠ ADVARSEL**

- Risiko for ulykke
- Få altid en autoriseret Sunrise Medical-forhandler til at undersøge produktet for skade eller slidtage, inden det overføres til en anden bruger. Hvis der findes nogen beskadigelser, **MÅ DETTE PRODUKT IKKE BRUGES.**
- Hvis disse advarsler ikke overholdes, kan de resultere i alvorlige ulykker.

Dette produkt egner sig til genbrug*:

- Få en autoriseret Sunrise Medical-forhandler til at undersøge skallen, monteringshardwaren, skummet og betrækket for beskadigelser eller slitage. Hvis der findes nogen beskadigelser, må det ikke genbruges.
- Rengør og desinficer skallen, monteringshardwarens skum og betræk i overensstemmelse med den lokale regerings regulativer. Søg råd hos dit lokale kontor for infektionskontrol.
- Efter rengøring og desinficering, få en autoriseret Sunrise Medical-forhandler til at genundersøge skallen, hardwaren, skummet og betrækket for at sikre at rengørings-/desinficeringsprocessen ikke har forårsaget nogle beskadigelser.

⚠ ADVARSLER:

- Hvis disse genbrugsvejledninger ikke følges, kan det resultere i alvorlige ulykker for brugeren.
- Når produktet genbruges, skal dette produkt afpasses og tilpasses til den nye bruger af en autoriseret Sunrise Medical-forhandler eller kliniker.

24 MÅNEDERS BEGRÆNSET GARANTI**24 MÅNEDERS BEGRÆNSET GARANTI**

Hvert eneste JAY J3-ryglæn efterses nøje og afprøves for at sikre, at det fungerer optimalt. Alle JAY J3-ryglæn omfattes af en garanti mod materiale- og fabrikationsfejl gældende i 24 måneder fra købsdato, forudsat at ryglænet anvendes på normal vis. Såfremt der opstår materiale eller fabrikationsfejl inden for 24 måneder fra den oprindelige købsdato, forpligter Sunrise Medical sig til, efter eget skøn, at reparere eller erstatte varen uden beregning. Denne garanti omfatter ikke punkteringer, flænger, brændemærker eller ryglænets aftagelige betræk.

Erstatningskrav og reparationer skal ske gennem den nærmeste autoriserede forhandler. Med undtagelse af udtrykkelige garantier fremsat i ovenstående er enhver anden garanti udelukket, herunder også stiltiende garantier for, at varen er salgbar samt formålsregnet. Garantien gælder ikke ud over det heri beskrevne. Godtgørelse for brud på den udtrykkelige garanti er begrænset til reparation eller udskiftning af varen. Under ingen omstændigheder skal skadeserstatning som følge af garantibrud omfatte følgetab eller overstige anskaffelsesprisen på den uacceptable solgte vare.

Η Sunrise Medical συνιστά να συμβουλευτείτε κάποιον ειδικό, όπως ιατρό ή θεραπευτή, με πείρα στην καθιστή στάση και τη στάση γενικά, για να καθορίσει αν μια πλάτη J3 είναι κατάλληλη.

⚠️ ΠΡΟΕΙΔΟΠΟΙΗΣΗ!

Οι πλάτες πρέπει να τοποθετούνται μόνο από:

- εξουσιοδοτημένο προμηθευτή της Sunrise Medical,
- αρμόδιο επαγγελματία στο χώρο της υγείας που έχει παρακολουθήσει κατάλληλη πιστοποιημένη εκπαίδευση είτε από την Sunrise Medical είτε από εγκεκριμένο προμηθευτή της.

ΠΡΟΟΡΙΖΟΜΕΝΗ ΧΡΗΣΗ ΤΗΣ ΠΛΑΤΗΣ JAY J3

Η πλάτη JAY J3 προορίζεται για να παρέχει υποστήριξη πλάτης σε ένα μεγάλο εύρος χρηστών αναπηρικών πολυθρονών. Είναι σχεδιασμένο για να παρέχει απλή, άνετη και αποτελεσματική υποστήριξη ώστε να συμβάλλει στη μεγιστοποίηση της λειτουργίας και την αύξηση της ανοχής σε καθιστή στάση. Επιπλέον, είναι ελαφρύ, ανθεκτικό και εύκολο στη χρήση.

Η πλάτη μπορεί να εγκατασταθεί σε ένα μεγάλο εύρος αναπηρικών πολυθρονών.

Μέγιστο βάρος χρήστη:

300 λίμπρες (136 κιλά) – συμπαγής (και παλιός στάνταρ υλικός εξοπλισμός)

500 λίμπρες (227 κιλά) – συμπαγής υλικός εξοπλισμός για υπέρβαρους

Η προοριζόμενη διάρκεια ζωής της πλάτης στήριξης είναι 4 χρόνια.

⚠️ ΠΡΟΕΙΔΟΠΟΙΗΣΗ

Η εγκατάσταση υποστήριξης πλάτης σε μια αναπηρική πολυθρόνα μπορεί να επηρεάσει το κέντρο βάρους της αναπηρικής πολυθρόνας και να προκαλέσει την ανατροπή της προς τα πίσω με αποτέλεσμα πιθανό τραυματισμό.

Εκτιμήστε την πιθανή ανάγκη για προσθήκη αντανάεπτικών τροχών ή προέκταση άξονα του κέντρου βάρους στην αναπηρική πολυθρόνα για να αυξήσετε τη σταθερότητα.

⚠️ ΠΡΟΕΙΔΟΠΟΙΗΣΗ

Μην χρησιμοποιείτε την πλάτη J3 για να σπρώξετε ή να σηκώσετε την αναπηρική πολυθρόνα. Η λανθασμένη χρήση ενδέχεται να προκαλέσει την απρόσμενη αποσύνδεση της πλάτης από την αναπηρική πολυθρόνα.

⚠️ ΠΡΟΕΙΔΟΠΟΙΗΣΗ

Μην χρησιμοποιείτε τη λαβή της πλάτης J3 για να σηκώσετε την αναπηρική πολυθρόνα. Προορίζεται μόνο για την αφαίρεση της πλάτης.

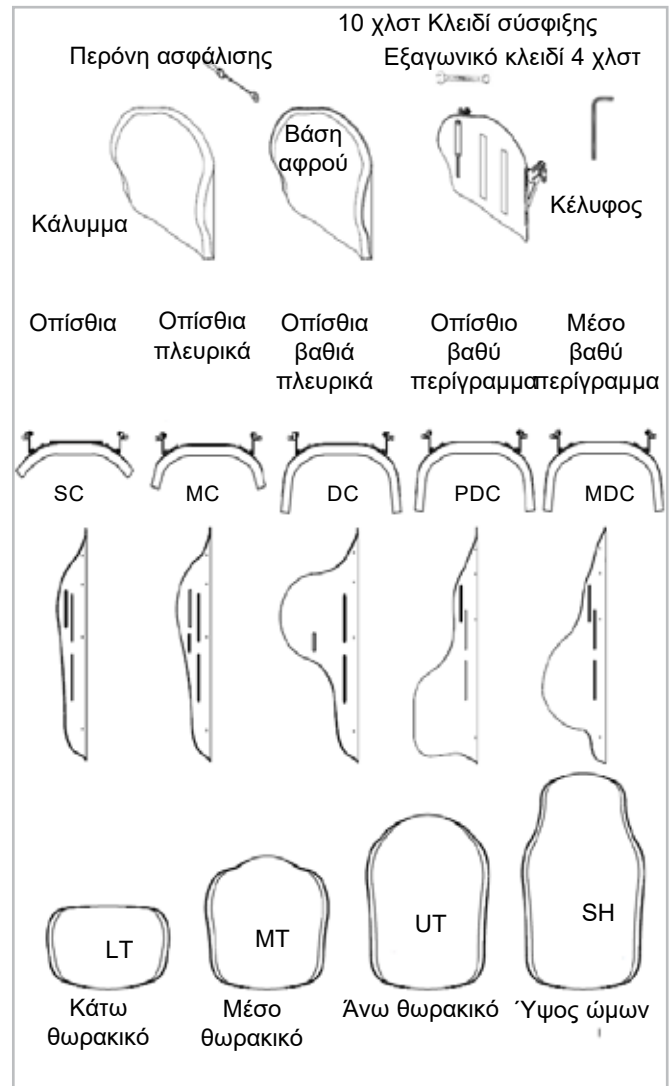
⚠️ ΠΡΟΕΙΔΟΠΟΙΗΣΗ

Η απροσεξία προκαλεί πυρκαγιά

⚠️ ΠΡΟΕΙΔΟΠΟΙΗΣΗ!

Διαβάστε το εγχειρίδιο πριν από τη χρήση.

ΠΛΑΤΗ J3



ΣΥΝΤΗΡΗΣΗ

Η Sunrise συνιστά να ελέγχονται όλες οι συνδέσεις για φθορά, όπως χαλαρά μπουλόνια ή σπασμένα εξαρτήματα κάθε 6 μήνες. Οι χαλαρές συνδέσεις πρέπει να σφίγγονται ξανά σύμφωνα με τις οδηγίες τοποθέτησης. Όλες οι συνδέσεις πρέπει να σφίγγονται σύμφωνα με τις προδιαγραφές ροπής που αναφέρονται στο τμήμα τοποθέτησης υλικού. Επικοινωνήστε αμέσως με τον εξουσιοδοτημένο προμηθευτή της Sunrise Medical για να αντικαταστήσετε τυχόν σπασμένα εξαρτήματα. Μη συνεχίσετε να χρησιμοποιείτε το σύστημα αφού ανακαλύψετε ότι έχει χαλαρά ή σπασμένα εξαρτήματα.

ΕΥΚΟΛΟΣ ΚΑΘΑΡΙΣΜΟΣ**ΣΗΜΕΙΩΣΗ:**

Όταν αποσυναρμολογείτε την πλάτη για καθαρίσμο, παρατηρήστε τη θέση των εξαρτημάτων ευθυγράμμισης σπονδυλικής στήλης Velcro® για σωστή επανα-συναρμολόγηση.

Για να καθαρίσετε το κάλυμμα πλάτης

Αφαιρέστε το κάλυμμα με την αποσύνδεση του Velcro. Αποσυνδέστε το κάλυμμα από το κέλυφος της πλάτης. Εντοπίστε το φερμουάρ στο κάτω μέρος του καλύμματος και ανοίξτε το. Αφαιρέστε το αφρολέξ και γυρίστε το κάλυμμα ανάποδα. Κλείστε το φερμουάρ του καλύμματος για να αποφύγετε το "πίσιμο". Πλύντε στο πλυντήριο με ζεστό νερό (60° C) Αφήστε να στεγνώσει φυσικά ή στεγνώστε το σε στεγνωτήριο σε χαμηλή θερμότητα.

ΣΗΜΕΙΩΣΗ:

- Μην πλένετε τα καλύμματα με στεγνό καθαρίσμο και μη χρησιμοποιείτε βιομηχανικά πλυντήρια και στεγνωτήρια για να καθαρίσετε το κάλυμμα.
- Μην τοποθετείτε σε κλίβανο με ατμό.
- Μη χρησιμοποιείτε χλωρίνη.

Τοποθετήστε ξανά το αφρολέξ στο κάλυμμα. Σημειώστε ότι η βάση έχει δύο στρώσεις αφρολέξ. Όταν τοποθετήσετε ξανά το αφρολέξ, βεβαιωθείτε ότι το πιο λεπτό αφρολέξ με "ανοικτό γκρι" χρώμα είναι στραμμένο προς το κέλυφος. Όταν το αφρολέξ τοποθετηθεί σωστά μέσα στο κάλυμμα, κλείστε το φερμουάρ του καλύμματος.

Για να καθαρίσετε το κέλυφος της πλάτης

Μπορείτε να πλένετε το κέλυφος σκουπίζοντάς το με σαπούνι και νερό. Δεν χρειάζεται καμία άλλη συντήρηση.

Για να καθαρίσετε τα εξαρτήματα τοποθέτησης

Μπορείτε να καθαρίσετε τα εξαρτήματα τοποθέτησης σκουπίζοντάς τα με σαπούνι και νερό. Μην βυθίζετε τα εξαρτήματα τοποθέτησης μέσα σε νερό.

Σε περίπτωση που έχετε επιπλέον ερωτήσεις σχετικά με διαδικασίες καθαρισμού, επικοινωνήστε με τον εξουσιοδοτημένο αντιπρόσωπο της Sunrise Medical.

Σύμβολα φροντίδας στο πλύσιμο	
	Πλύντε στο πλυντήριο με ζεστό νερό (60° C)
	Μόνο λευκαντικό χωρίς χλωρίνη,
	όταν απαιτείται
	Στεγνώστε φυσικά
	Μην σιδερώνετε Μην πλένετε με στεγνό καθαρίσμο

ΚΑΘΟΡΙΣΜΟΣ ΣΥΜΒΑΤΟΤΗΤΑΣ**Τύποι αναπηρικής πολυθρόνας**

Η πλάτη J3 είναι σχεδιασμένη για να είναι συμβατή με τις περισσότερες αναπηρικές πολυθρόνες, με τις ακόλουθες εξαιρέσεις:

Δεν πρέπει να χρησιμοποιούνται αναπηρικές πολυθρόνες που ρυθμίζονται υπό γωνία και αναπηρικές πολυθρόνες με ανάκλιση ή κλίση που έχουν ως αποτέλεσμα γωνία πλάτης μεγαλύτερη από 60 μοίρες από την κάθετη θέση.

⚠ ΠΡΟΕΙΔΟΠΟΙΗΣΗ

Η χρήση με αυτούς τους τύπους αναπηρικών πολυθρόνων μπορεί να προκαλέσει την τυχαία αποσύνδεση της πλάτης από την αναπηρική πολυθρόνα με αποτέλεσμα να προκύψει πτώση και πιθανότητα σοβαρού τραυματισμού.

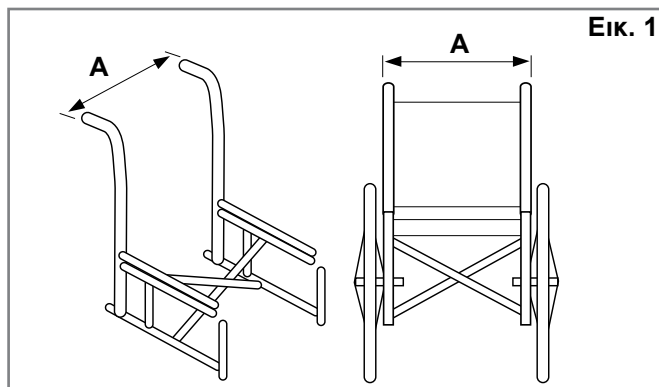
Διαστάσεις αναπηρικής πολυθρόνας

Η πλάτη J3 είναι σχεδιασμένη να αντικαθιστά την εσωτερική επένδυση αναρτήρα της αναπηρικής πολυθρόνας. Πριν από την τοποθέτηση προσδιορίστε εάν η αναπηρική πολυθρόνα που χρησιμοποιείτε έχει συμβατές ράβδους πλάτης μετρώντας το πλάτος μεταξύ των ράβδων πλάτης, όπως απεικονίζεται στην Εικόνα 1. Όταν χρησιμοποιείτε αυτή τη μέτρηση, ελέγξτε τον Πίνακα 1 για να καθορίσετε εάν η πλάτη θα ταιριάζει με την πολυθρόνα σας.

Στη συνέχεια ελέγξτε ότι η διάμετρος των ράβδων πλάτης είναι συμβατή. Ο υλικός εξοπλισμός της πλάτης J3 μπορεί να στερεωθεί σε ράβδους πλάτης της αναπηρικής πολυθρόνας με διάμετρο από 3/4" (1,9 cm) έως 1 1/8" (2,85 cm). Μετρήστε τη διάμετρο της ράβδου πλάτης (Εικ. 2) και ανατρέξτε στον Πίνακα 2 για να διασφαλίσετε ότι οι ράβδοι πλάτης που έχετε είναι συμβατές.

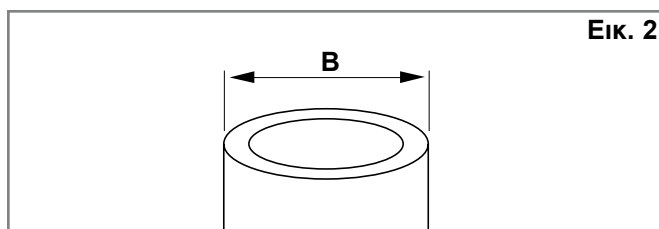
Αν δεν μπορείτε να προσδιορίσετε εάν οι ράβδοι πλάτης είναι

συμβατοί επικοινωνήστε με εξουσιοδοτημένο προμηθευτή της Sunrise Medical ή με την Εξυπηρέτηση πελατών της Sunrise Medical.

**Πίνακας 1**

Πλάτος πλάτης J3* (όλα τα περιγράμματα)	Πλάτος των ράβδων πλάτης από το έξω μέχρι το έξω τμήμα των σωλήνων (Εικ. 1-A)			
	Ελάχιστο πλάτος		Μέγιστο πλάτος	
	ίντσα	εκ.	ίντσα	εκ.
12" 31 εκ.	11,7	29,7	14,3	36,3
14" 36 εκ.	13,7	34,9	16,3	41,3
16" 41 εκ.	15,7	40,0	18,3	46,4
18" 46 εκ.	17,7	45,1	20,3	51,6
20" 51 εκ.	19,7	50,1	22,3	56,5

* Μπορείτε να εντοπίσετε το πλάτος της πλάτης από τον αριθμό εξαρτήματος στην πλάτη.
Παράδειγμα: Το J3SCMTS36 είναι μια πλάτη 36 εκ.

**Πίνακας 2**

Πλάτος πλάτης J3 (όλα τα περιγράμματα)	Διάμετρος ράβδου (Εικ. 2-B)			
	Ελάχιστο πλάτος		Μέγιστο πλάτος	
	ίντσα	cm	ίντσα	cm
14-20" (36-51cm)	3/4	1,9	1-1/8	2,85

ΤΟΠΟΘΕΤΗΣΗ ΤΟΥ ΥΛΙΚΟΥ ΕΞΟΠΛΙΣΜΟΥ ΣΤΕΡΕΩΣΗΣ

Διαβάστε τις παρακάτω οδηγίες πριν ξεκινήσετε την τοποθέτηση. Για να τοποθετήσετε την πλάτη J3, είναι καλύτερα να ξεκινήσετε χωρίς να κάθεται ο χρήστης στην αναπηρική πολυθρόνα. Όταν τοποθετηθεί η πλάτη και απαιτούνται μικρές ρυθμίσεις, ο χρήστης μπορεί να καθίσει ξανά στην αναπηρική πολυθρόνα.

Απαιτούμενα εργαλεία (περιλαμβάνονται με την πλάτη J3)*

- Εξαγωνικό κλειδί 4 χλστ
- Γερμανικό κλειδί κλειστού τύπου 10 χλστ



ΣΗΜΕΙΩΣΗ:Όποτε καθορίζονται ρυθμίσεις ροπής, συνιστάται ένθερμα να χρησιμοποιείται ένα ροπόκλειδο (δεν περιλαμβάνεται με την πλάτη JAY J3) για να επιβεβαιωθεί ότι έχει επιτευχθεί η σωστή προδιαγραφή ροπής.

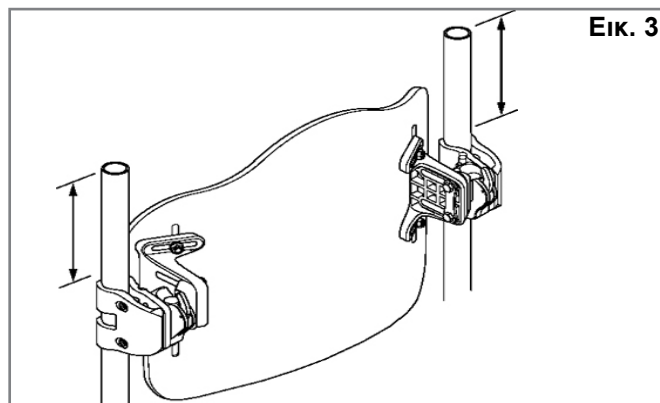
Οδηγίες τοποθέτησης υλικού εξοπλισμού (Εικ. 3, 4, 5)

Ισχύει για όλους τους τύπους υλικού εξοπλισμού (συμπαγής, συμπαγής βαριάς χρήσης και παλιό στάνταρ).

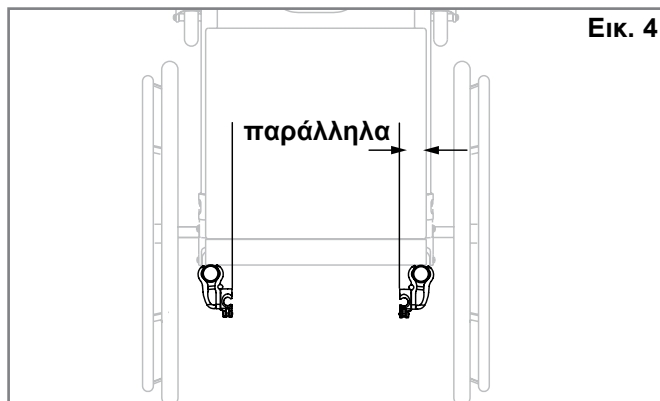
1. Βγάλτε την υπάρχουσα πλάτη της αναπηρικής πολυθρόνας σύμφωνα με τις οδηγίες του κατασκευαστή της αναπηρικής πολυθρόνας.
2. Καθορίστε οπτικά την επιθυμητή θέση των δεκτών στις ράβδους πλάτης της αναπηρικής πολυθρόνας. Ο εξοπλισμός στερέωσης θα πρέπει να βρίσκεται σε περίπου ίσο ύψος σε κάθε στύλο πλάτης (Εικ. 3) και παράλληλα προς το πλαίσιο καθίσματος (Εικ. 4). Οι υψηλότερες θέσεις στις ράβδους πλάτης είναι καλύτερες σε γενικές γραμμές.
3. Συνδέστε τους δέκτες του υλικού εξοπλισμού. (Εικ. 5)
 - a. Χαλαρώστε τις βίδες σφιγκτήρα (A) με το εσωκλειόμενο εξαγωνικό κλειδί 4 χλστ. ΣΗΜΕΙΩΣΗ– Για τις διαμέτρους μεγάλων σωλήνων, ενδέχεται να χρειαστεί να αφαιρέσετε τελείως τις βίδες σφιγκτήρα.
 - β Συνδέστε και ευθυγραμμίστε το δέκτη με τις ράβδους πλάτης της αναπηρικής πολυθρόνας (B).
 - γ. σφίξτε με το χέρι τις βίδες σφιγκτήρα (A). ΣΗΜΕΙΩΣΗ– Οι δέκτες ενδέχεται να χρειαστούν πρόσθετη πλευρική ρύθμιση για να διασφαλιστεί η σωστή ευθυγράμμιση.

Σύνδεση και ευθυγράμμιση του κελύφους της πλάτης J3 (Εικ. 6)

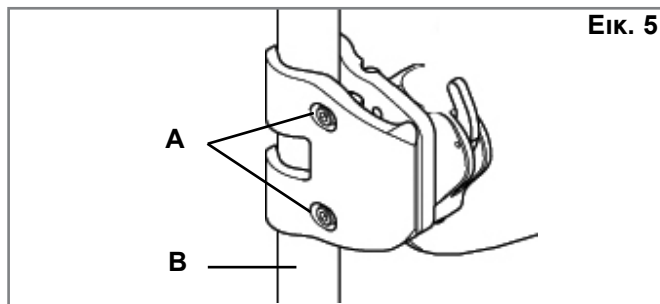
- a. Χαλαρώστε τα παξιμάδια βραχιόνια (C) και τα παξιμάδια περονών στερέωσης (F) χρησιμοποιώντας το γερμανικό κλειδί κλειστού τύπου 10 χλστ μέχρι ο υλικός εξοπλισμός να μπορεί να μετακινείται εύκολα προς όλες τις κατευθύνσεις.
- β. Συνδέστε την πλάτη J3 στους δέκτες του υλικού εξοπλισμού εισάγοντας την αριστερή και δεξιά περόνη στερέωσης (D) στον αριστερό και δεξί δέκτη (E).
- γ. τοποθετήστε την πλάτη στη σωστή θέση, σε σχέση με την πολυθρόνα και το χρήστη.
- δ. Σφίξτε με το χέρι τα παξιμάδια στο εσωτερικό της περόνης στερέωσης (F). ΣΗΜΕΙΩΣΗ– Το βάθος και η γωνία της πλάτης ενδέχεται να χρειαστούν πρόσθετη ρύθμιση για να διασφαλιστεί η σωστή εφαρμογή για το χρήστη.
- ε. Σφίξτε με το χέρι τα παξιμάδια βραχιόνων (C). ΣΗΜΕΙΩΣΗ– Το ύψος της πλάτης μπορεί να απαιτεί πρόσθετη ρύθμιση για να διασφαλιστεί η σωστή εφαρμογή για το χρήστη.
- στ. Ελέγξτε την αποδέσμευση της πλάτης πατώντας τους μοχλούς αποδέσμευσης προς τα εμπρός και βγάζοντας την πλάτη από την πολυθρόνα. (Δείτε την ενότητα Αφαίρεση και αντικατάσταση για περισσότερες λεπτομέρειες.) Η σωστή



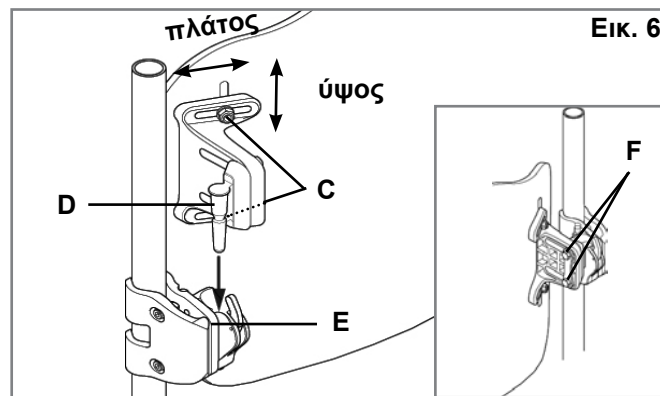
Εικ. 3



Εικ. 4



Εικ. 5



Εικ. 6

ευθυγράμμιση του υλικού εξοπλισμού στερέωσης και της πλάτης επιτυγχάνεται όταν είναι δυνατή η ομαλή σύνδεση και αποδέσμευση.

- ζ. Αν δεν έχει επιτευχθεί σωστή ευθυγράμμιση, ρυθμίστε τα εξαρτήματα μέχρι να ευθυγραμμιστούν σωστά.
- η. Όταν είναι σωστά ευθυγραμμισμένα, σφίξτε τις βίδες σφιγκτήρα του δέκτη υλικού εξοπλισμού. Η συνιστώμενη προδιαγραφή ροπής είναι 75 - 85 in-lbs (8,5 - 9,3 Nm).

ΡΥΘΜΙΣΗ ΥΨΟΥΣ, ΒΑΘΟΥΣ ΚΑΙ ΓΩΝΙΑΣ ΤΟΥ J3

Η πρώτη φάση της τοποθέτησης του υλικού εξοπλισμού της πλάτης J3 ολοκληρώθηκε. Τώρα είναι η κατάλληλη στιγμή για να καθίσει ο χρήστης στην πολυθρόνα ώστε να εξατομικεύσετε την πλάτη J3. Μην αφήσετε το χρήστη να ασκήσει πλήρη πίεση στην πλάτη επειδή δεν έχει σφιχθεί τελείως σύμφωνα με τις απαιτήσεις πλήρους ροπής.

1. Ρύθμιση ύψους (Εικ. 10)

- με το χρήστη να κάθεται στην πολυθρόνα, καθορίστε το επιθυμητό ύψος της πλάτης. Όταν καθοριστεί, ζητήστε από το χρήστη να γείρει ή να μετακινηθεί μερικώς προς τα εμπρός, εάν είναι δυνατό, ώστε να μην ασκεί πίεση στην πλάτη J3 για να είναι δυνατή η πραγματοποίηση της ρύθμισης.
- Χαλαρώστε τα παξιμάδια βραχίονα (A) και ρυθμίστε το ύψος του κελύφους πλάτης στην επιθυμητή θέση.
- σφίξτε καλά τα παξιμάδια βραχίονα (A). Η συνιστώμενη προδιαγραφική ροπή είναι (8,5 - 9,3 Nm).

ΣΗΜΕΙΩΣΗ:

Μετά την ολοκλήρωση της ρύθμισης ύψους, ελέγξτε ότι το πλάτος δεν έχει αλλάξει κατά λάθος.

2. Ρύθμιση βάθους/γωνίας (Εικ. 11, 12 και 13)

Να γνωρίζετε ότι υπάρχουν δύο τύποι υλικού εξοπλισμού που μπορείτε να παραγγείλετε –στάνταρ εξοπλισμός (Εικ. 11) ή ο μακρύτερος, ρυθμιζόμενος υλικός εξοπλισμός (Εικ. 12). Και τα δύο σετ υλικού εξοπλισμού ρυθμίζονται το ίδιο, αλλά ο στάνταρ υλικός εξοπλισμός επιτρέπει ρύθμιση βάθους κατά 2 ίντσες (5 εκ.) (Εικ. 11) ενώ ο εκτεταμένος υλικός εξοπλισμός (ρυθμιζόμενος υλικός εξοπλισμός) επιτρέπει ρύθμιση βάθους συνολικά 3,4 ίντσες (8,65 εκ.) (Εικ. 12).

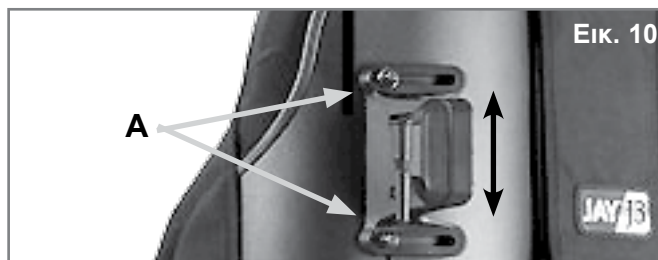
- Για να ρυθμίσετε το βάθος και την κλίση της πλάτης J3, χαλαρώστε τα αριστερά και δεξιά παξιμάδια (Εικ. 13-B) στις υποδοχές μπρακέτου.
- ρυθμίστε το βάθος ή/και τη γωνία και ασφαλίστε καλά. Η συνιστώμενη προδιαγραφική ροπή είναι 100-110 in-lbs. (11,3 - 12,4 Nm). Βεβαιωθείτε ότι κανένα από τα παξιμάδια ρύθμισης βάθους (Εικ. 13-B) δεν θα ολισθήσει ούτε θα περιστραφεί.
- αν απαιτείται επιπλέον βάθος, βγάλτε την πλάτη από τους δέκτες. Αφαιρέστε τις βίδες (Εικ. 11-D, 12-D) από τον λήπτη χρησιμοποιώντας το εσώκλειστο εξαγωγικό κλειδί 4 χλστ. και τοποθετήστε ξανά στο επιθυμητό βάθος. Σημείωση: Πριν από την τοποθέτηση των βιδών, συνιστάται ένθερμα η εφαρμογή κατάλληλου ασφαλιστικού βιδών μεσαίου βαθμού συγκράτησης π.χ. loctite 243, στο δέκτη και στα σπειρώματα βιδών, εάν πρόκειται να τοποθετηθεί ξανά η πλάτη. Σφίξτε τις βίδες σε ροπή 25-35 in-lbs. (2,8 - 4 Nm).

▲ ΠΡΟΕΙΔΟΠΟΙΗΣΗ

Μετά την ολοκλήρωση όλων των ρυθμίσεων και όταν η πλάτη J3 είναι έτοιμη για χρήση βεβαιωθείτε ότι όλος ο υλικός εξοπλισμός έχει σφιχθεί σωστά.

▲ ΠΡΟΕΙΔΟΠΟΙΗΣΗ

Για να διασφαλίσετε τη βέλτιστη ασφάλεια της τοποθέτησης πλάτης, η περόνη ασφάλισης πρέπει να εισαχθεί πριν χρησιμοποιηθεί η πλάτη, (Εικ. 14 και 15).



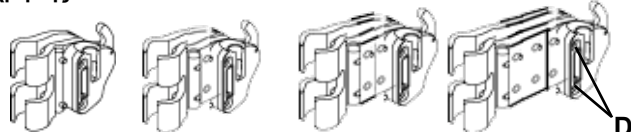
Συμπαγής υλικός εξοπλισμός – 2 ρυθμίσεις βάθους Εικ. 11



Βάθος 1

Βάθος 2

Συμπαγής υλικός εξοπλισμός βαριάς χρήσης Εικ. 12

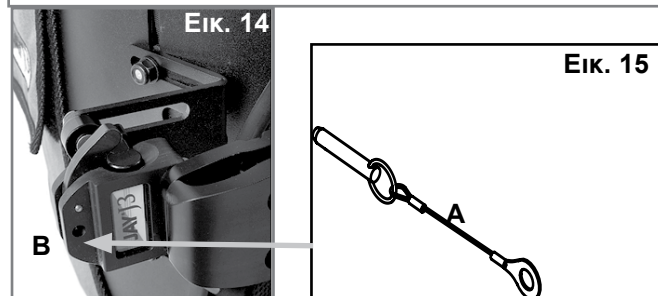
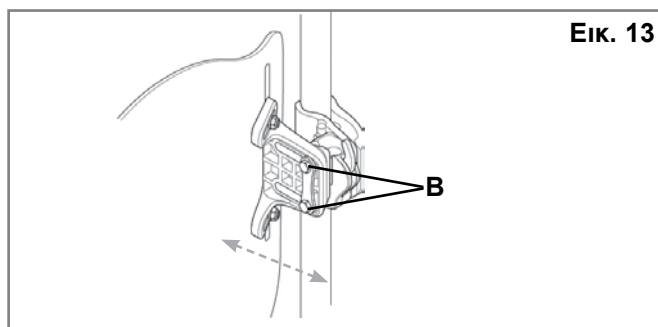


Βάθος 1

Βάθος 2

Βάθος 3

Βάθος 4

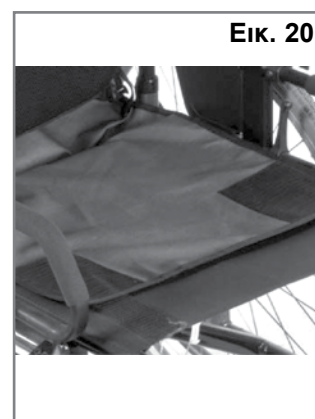


ΤΟΠΟΘΕΤΗΣΗ ΒΟΗΘΗΤΙΚΟΥ ΣΚΕΠΑΣΜΑΤΟΣ

1. Ανυψώστε το άνω πτερύγιο του καλύμματος της πλάτης J3 (Εικ. 17)
2. Ενώστε το άγκιστρο και τη θηλιά και συνδέστε το βοηθητικό σκέπασμα στο πίσω μέρος του καλύμματος της πλάτης J3 (Εικ. 17). Τοποθετήστε ξανά το άνω πτερύγιο του καλύμματος για να περικλείσετε το βοηθητικό σκέπασμα ανάμεσα στα άνω και κάτω πτερύγια (Εικ. 18).
3. Αφαιρέστε το μαξιλαράκι καθίσματος της αναπηρικής πολυθρόνας και περικλείστε την "ουρά" του βοηθητικού σκεπάσματος ανάμεσα από την επιφάνεια υποστήριξης της αναπηρικής πολυθρόνας και το μαξιλαράκι καθίσματος (Εικ. 20).
4. Ρυθμίστε το βοηθητικό σκέπασμα, όπως απαιτείται, μετακινώντας την "ουρά" προς τα μέσα ή έξω από το κάτω μέρος του μαξιλαριού καθίσματος. Αν απαιτείται, το πάνω μέρος του βοηθητικού σκεπάσματος μπορεί επίσης να μετακινηθεί προς τα επάνω ή κάτω στην πλάτη του καθίσματος.
5. Εισάγετε τους ιμάντες της λωρίδας με άγκιστρο και θηλιά (Hook & Loop Wrap) μέσα στις κατάλληλες ροδέλες στο βοηθητικό σκέπασμα, και στη συνέχεια τυλίξτε τους γύρω από το πλαίσιο της αναπηρικής πολυθρόνας και εισάγετε το άκρο οδήγησης μέσα από το άκρο υποδοχής της λωρίδας (Εικ. 21). Εφαρμόστε και κλείστε τα διάκενα στο βοηθητικό σκέπασμα (Εικ. 22).

Προαιρετικός σάκος αποθήκευσης

ΣΗΜΕΙΩΣΗ: Διατίθεται ένας προαιρετικός σάκος αποθήκευσης για την προσάρτηση επάνω στο βοηθητικό σκέπασμα, (Εικ. 16).



Ολοκληρωμένη τοποθέτηση του βοηθητικού σκεπάσματος J3

ΕΞΑΡΤΗΜΑΤΑ ΕΥΘΥΓΡΑΜΜΙΣΗΣ ΤΗΣ ΣΠΟΝΔΥΛΙΚΗΣ ΣΤΗΛΗΣ

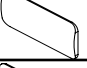
Τα εξαρτήματα ευθυγράμμισης της σπονδυλικής στήλης είναι σχεδιασμένα για να παρέχουν σωστά διαμορφωμένη υποστήριξη με μια πλάτη "από το ράφι". (Ανάλογα με την αγορά, τα εξαρτήματα ευθυγράμμισης της σπονδυλικής στήλης μπορεί να παρέχονται μαζί με τη πλάτη.) Για την τοποθέτηση των εξαρτημάτων ευθυγράμμισης της σπονδυλικής στήλης, διαβάστε τις ακόλουθες οδηγίες.

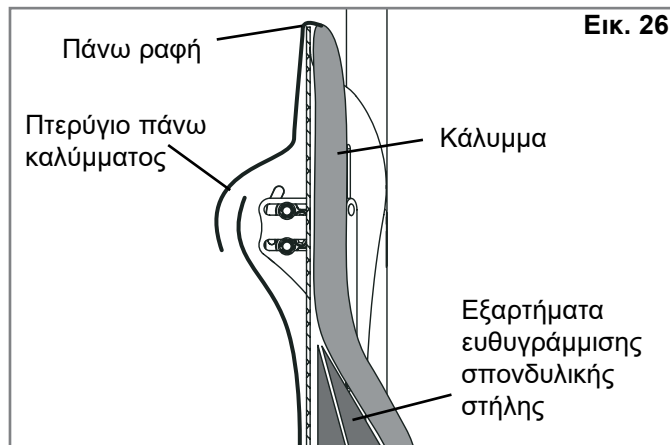
1. Τοποθέτηση των εξαρτημάτων ευθυγράμμισης της σπονδυλικής στήλης

- α. ζητήστε από το χρήστη να γείρει ή να μετακινηθεί μερικώς προς τα εμπρός, εάν είναι δυνατό, ώστε να μην ασκεί πίεση στην πλάτη J3.
- β. Αποδεσμεύστε τη λωρίδα Velcro στο επάνω πτερύγιο του καλύμματος (Εικ. 24) και σηκώστε το κάλυμμα προς τα εμπρός για να αποκαλύψετε το εσωτερικό της πλάτης J3.
- γ. Τοποθετήστε τα συστατικά μέρη τοποθέτησης στο Velcro μέσα στο κέλυφος (Εικ. 25) και προσαρτήστε ξανά το επάνω πτερύγιο του καλύμματος. Τραβήξτε το προς τα κάτω και βεβαιωθείτε ότι η πάνω ραφή είναι ευθυγραμμισμένη με το πάνω μέρος του κελύφους. Αν η ραφή δεν είναι ευθυγραμμισμένη, θα πρέπει να χαλαρώσετε το κάτω μέρος του καλύμματος. (Εικ. 26).
- δ. Ο χρήστης τώρα πρέπει να δοκιμάσει την τρέχουσα διαμόρφωση των εξαρτημάτων ευθυγράμμισης σπονδυλικής στήλης και να επιβεβαιώσει ότι είναι άνετη και του παρέχει τη σωστή στήριξη. Επαναλάβετε τα βήματα α - γ μέχρι να ολοκληρωθεί η ρύθμιση.
- ε. είναι δυνατόν να χρησιμοποιηθούν πολλές διαμορφώσεις και συνδυασμοί εξαρτημάτων ευθυγράμμισης σπονδυλικής στήλης. Αν χρειάζεστε επιπλέον σχήματα ή μεγέθη εξαρτημάτων ευθυγράμμισης σπονδυλικής στήλης, μπορείτε να επικοινωνήσετε με τον εξουσιοδοτημένο προμηθευτή της Sunrise Medical.

ΣΗΜΕΙΩΣΗ: Αν χρειάζεστε περισσότερες πληροφορίες για το σύστημα ευθυγράμμισης σπονδυλικής στήλης J3, παρακαλείστε να αναφερθείτε στην ιστοσελίδα www.sunrisemedical.com.

Η τοποθέτηση της πλάτης J3 έχει ολοκληρωθεί.

Εξαρτήματα τοποθέτησης	
Μεγάλος οσφυϊκός	
Μικρός οσφυϊκός	
Σφήνα	
Κυρτή ρύθμιση	
Επίπεδη ρύθμιση	
Οπίσθιος/Πλευρικός πνευλικός	
Πλευρική ρύθμιση	
Μεγάλη τσάντα	
Μικρή τσάντα	



ΕΞΑΡΤΗΜΑΤΑ J3

Αν έχετε παραγγείλει εξαρτήματα J3 όπως πλευρικά στηρίγματα, στηρίγματα για το κεφάλι ή άλλα λουριά, συμβουλευτείτε τις οδηγίες τοποθέτησης που τα συνοδεύουν.

ΑΣΦΑΛΕΙΑ ΜΕΤΑΦΟΡΑΣ ΤΗΣ ΠΛΑΤΗΣ

Η πλάτη J3 έχει δοκιμαστεί δυναμικά για χρήση σε επιβατικό όχημα. Ακολουθήστε όλες τις οδηγίες τοποθέτησης, χρήσης και συντήρησης σε αυτό το εγχειρίδιο καθώς και τις οδηγίες μεταφοράς που ακολουθούν.

▲ ΠΡΟΕΙΔΟΠΟΙΗΣΗ

Η ΑΓΝΩΣΗ ΑΥΤΩΝ ΤΩΝ ΠΡΟΕΙΔΟΠΟΙΗΣΕΩΝ ΜΠΟΡΕΙ ΝΑ ΦΕΡΕΙ ΣΟΒΑΡΟ ΤΡΑΥΜΑΤΙΣΜΟ ΣΤΟΝ ΧΡΗΣΤΗ ΤΗΣ ΑΝΑΠΗΡΙΚΗΣ ΠΟΛΥΘΡΟΝΑΣ Η ΣΕ ΑΛΛΟΥΣ.

ΟΔΗΓΙΕΣ

1. Αν είναι δυνατό και εφικτό, ο χρήστης πρέπει να μεταφερθεί στο κάθισμα οχήματος του αρχικού εξοπλισμού του κατασκευαστή και να χρησιμοποιήσει το σύστημα συγκράτησης του οχήματος.
2. Η απόσταση μεταξύ του πάνω μέρους του ώμου του χρήστη και του πάνω μέρος της πλάτης δεν πρέπει να ξεπερνάει τις 6,5 ίντσες (16,5 εκατοστά).
3. Η αναπηρική πολυθρόνα πρέπει να επισημαίνεται ως κατάλληλη για χρήση ως κάθισμα σε επιβατικό όχημα, που έχει δοκιμαστεί δυναμικά ως προς τις απαιτήσεις απόδοσης των προτύπων ISO 7176-19, και πρέπει να τοποθετηθεί, να χρησιμοποιείται και να διατηρείται σύμφωνα με τις οδηγίες κατασκευαστή.
4. Αν η αρχική θέση της αναπηρικής πολυθρόνας έχει αντικατασταθεί, η νέα θέση πρέπει να έχει κριθεί κατάλληλη για μεταφορά της πολυθρόνας και πρέπει να έχει τοποθετηθεί και να χρησιμοποιείται σύμφωνα με τις οδηγίες του κατασκευαστή.
5. Το σύστημα δέσμευσης της αναπηρικής πολυθρόνας και το σύστημα συγκράτησης του επιβάτη (Wheelchair Tiedown and Occupant Restraint System - WTORS) θα πρέπει να είναι συμβατό με την συγκεκριμένη αναπηρική πολυθρόνα και να χρησιμοποιείται όπως υποδεικνύεται στις οδηγίες του κατασκευαστή. Επίσης πρέπει να είναι συμβατό με τις απαιτήσεις απόδοσης του προτύπου ISO 10542.
6. Η αναπηρική πολυθρόνα πρέπει να κοιτάει μπροστά κατά τη μεταφορά.
7. Για να μειωθεί η πιθανότητα τραυματισμού στους επιβαίνοντες του οχήματος, θα πρέπει τα εξαρτήματα που στερεώνονται στην αναπηρική πολυθρόνα, όπως δίσκοι και αναπνευστικός εξοπλισμός, να αφαιρεθούν και να ασφαλιστούν ξεχωριστά.
8. Αυτό το προϊόν προορίζεται για χρήση από ενήλικες με βάρος από 79 λίβρες (35 κιλά) μέχρι 300 λίβρες (136 κιλά).
9. Οι συσκευές στήριξης στάσης σώματος, όπως ζώνες πυελικής χώρας, υποστηρίξεις πρόσθιου κορμού ή άλλες υποστηρίξεις στάσης σώματος, όπως οι υποστηρίξεις πλευρικού κορμού, δεν πρέπει να χρησιμοποιούνται για τη συγκράτηση του χρήστη σε κινούμενο επιβατικό όχημα, εκτός αν συμμορφώνονται με το πρότυπο ISO 16840-4.
10. Δεν πρέπει να πραγματοποιείτε τροποποιήσεις ή αντικαταστάσεις στην κατασκευή, συστατικά μέρη ή εξαρτήματα, χωρίς να συμβουλευθείτε τον κατασκευαστή.

ΑΦΑΙΡΕΣΗ ΚΑΙ ΑΝΤΙΚΑΤΑΣΤΑΣΗ

Αφαίρεση

Μετά την τοποθέτηση και τη ρύθμιση, η πλάτη μπορεί να αφαιρεθεί εύκολα από την αναπηρική πολυθρόνα, εάν χρειάζεται. Για την αφαίρεσή της, ωθήστε κάθε μοχλό αποδέσμευσης προς τα εμπρός για να απασφαλιστεί (Εικ. 27). Μόλις και οι δύο μοχλοί βρίσκονται στην εμπρόσθια θέση, απλά ανυψώστε την πλάτη ευθεία προς τα πάνω (Εικ. 28) χρησιμοποιώντας τη χειρολαβή που βρίσκεται στο πάνω μέρος της πλάτης.

Σωστή επανασύνδεση μετά την αφαίρεση

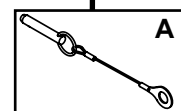
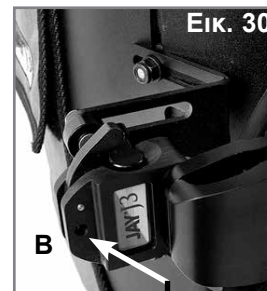
Για να συνδέσετε ξανά την πλάτη στους δέκτες υλικού εξοπλισμού, απλώς ευθυγραμμίστε τις περόνες με τους δέκτες και σπρώξτε τις στη θέση τους (Εικ. 29). Αν οι περόνες έχουν τοποθετηθεί σωστά, θα ακούσετε ένα "κλικ" στη θέση ασφάλισης.

ΠΡΟΕΙΔΟΠΟΙΗΣΗ

Αν δεν είστε σίγουροι ότι ακούσατε το "κλικ", τραβήξτε την πλάτη προς τα επάνω με τη χρήση της λαβής για να βεβαιωθείτε ότι έχει ασφαλίσει σωστά.

Περόνες ασφαλείας (Εικ. 30)

Η πλάτη J3 παρέχεται με δύο περόνες ασφαλείας, οι οποίες όταν ασφαλιστούν, αποτρέπουν την αποσύνδεση της πλάτης από την πολυθρόνα. Για να ασφαλίσετε, βάλτε τις περόνες (A) μέσα στους δέκτες στερέωσης (B). Απλά αφαιρέστε τις περόνες αν χρειάζεστε ταχεία αποδέσμευση.



ΑΝΤΕΝΔΕΙΞΕΙΣ:**⚠ ΠΡΟΕΙΔΟΠΟΙΗΣΗ**

Μην χρησιμοποιείτε και μην συνταγογραφείτε αυτή την πλάτη για οποιοδήποτε άτομο υπερβαίνει το δηλωμένο μέγιστο βάρος χρήστη.

ΑΝΑΚΥΚΛΩΣΗ / ΕΠΑΝΑΧΡΗΣΙΜΟΠΟΙΗΣΗ:**⚠ ΠΡΟΕΙΔΟΠΟΙΗΣΗ**

- Κίνδυνος τραυματισμού
- Να ζητάτε πάντα από έναν εξουσιοδοτημένο αντιπρόσωπο της Sunrise Medical να επιθεωρήσει το προϊόν για ζημιά ή φθορά πριν από τη μεταφορά του σε άλλον χρήστη. Εάν βρεθεί ζημιά οποιουδήποτε τύπου, ΜΗΝ ΧΡΗΣΙΜΟΠΟΙΗΣΕΤΕ ΑΥΤΟ ΤΟ ΠΡΟΪΟΝ.
- Η αποτυχία τήρησης αυτών των προειδοποιήσεων μπορεί να οδηγήσει σε σοβαρό τραυματισμό.

Το προϊόν αυτό είναι κατάλληλο για επαναχρησιμοποίηση*:

- Ζητήστε από έναν εξουσιοδοτημένο αντιπρόσωπο της Sunrise Medical να επιθεωρήσει το κέλυφος, τον υλικό εξοπλισμό στερέωσης, το αφρολέξ και το κάλυμμα για ζημιά ή φθορά. Εάν βρεθεί οποιαδήποτε ζημιά, να μην επαναχρησιμοποιηθεί.
- Καθαρίστε και απολυμάνετε το κέλυφος, το αφρολέξ του υλικού εξοπλισμού στερέωσης και το κάλυμμα σύμφωνα με τους τοπικούς κυβερνητικούς κανονισμούς. Ανατρέξτε στο τοπικό γραφείο ελέγχου λοιμώξεων για συμβουλές.
- Μετά τον καθαρισμό και την απολύμανση, ζητήστε από έναν εξουσιοδοτημένο αντιπρόσωπο της Sunrise Medical να επιθεωρήσει ξανά το κέλυφος, τον υλικό εξοπλισμό, το αφρολέξ και το κάλυμμα για να διασφαλιστεί ότι η διαδικασία καθαρισμού/απολύμανσης δεν προκάλεσε καμία ζημιά.

⚠ ΠΡΟΕΙΔΟΠΟΙΗΣΕΙΣ:

- Η αποτυχία τήρησης των οδηγιών επαναχρησιμοποίησης μπορεί να οδηγήσει σε σοβαρό τραυματισμό του χρήστη.
- Όταν επαναχρησιμοποιείται, το προϊόν αυτό πρέπει να προσαρμόζεται και να εφαρμόζεται στον νέο χρήστη από έναν εξουσιοδοτημένο αντιπρόσωπο της Sunrise Medical ή έναν κλινικό.

ΠΕΡΙΟΡΙΣΜΕΝΗ ΕΓΓΥΗΣΗ 24 ΜΗΝΩΝ**ΠΕΡΙΟΡΙΣΜΕΝΗ ΕΓΓΥΗΣΗ 24 ΜΗΝΩΝ**

Κάθε πλάτη JAY J3 έχει επιθεωρηθεί προσεκτικά και έχει τεθεί υπό δοκιμή για να παρέχει άριστη αποδοτικότητα. Κάθε πλάτη JAY J3 είναι εγγυημένη ώστε να μη φέρει ελαττώματα στα υλικά και την εργασία της για περίοδο 24 μηνών από την ημερομηνία αγοράς της, εφόσον χρησιμοποιείται κανονικά. Αν προκύψει ελάττωμα στα υλικά ή την κατασκευή εντός 24 μηνών από την αρχική ημερομηνία αγοράς, η Sunrise Medical, σύμφωνα με την κρίση της, θα επισκευάσει ή θα αντικαταστήσει το προϊόν χωρίς χρέωση. Η εγγύηση αυτή δεν ισχύει για τρυπήματα, σχισίματα ή καψίματα, ούτε για το αφαιρούμενο κάλυμμα της πλάτης.

Η επεξεργασία των αιτημάτων και των επισκευών πρέπει να πραγματοποιείται στον πλησιέστερο εξουσιοδοτημένο προμηθευτή. Εκτός από τις ρητές εγγυήσεις του παρόντος, εξαιρείται κάθε άλλη εγγύηση, περιλαμβάνοντας των σιωπηρών εγγυήσεων εμπορευσιμότητας και εγγυήσεων καταλληλότητας για συγκεκριμένο σκοπό. Δεν υπάρχουν άλλες εγγυήσεις πέραν των περιγραφόμενων στο παρόν. Οι ενέργειες αποκατάστασης για παράβαση των ρητών εγγυήσεων του παρόντος περιορίζονται στην επισκευή ή αντικατάσταση των αγαθών. Οι ζημιές από την παραβίαση τυχόν εγγύησης, σε καμία περίπτωση, δεν θα περιλαμβάνουν οποιαδήποτε συνεπαγόμενη ζημιά ούτε θα υπερβαίνουν το κόστος των μη συμμορφούμενων αγαθών που πωλήθηκαν.

Sunrise Medical suosittelee, että J3-selkätuen käytön soveltuvuuden määrittäminen annetaan istuimen ja selkänojan käyttöön perehtyneen lääkärin tai terapeutin tehtäväksi.

VAROITUS!

Selkätuen saa asentaa ainoastaan:

- Sunrise Medicalin valtuuttama jälleenmyyjä.
- Pätevä lääkärihenkilö, joka on saanut Sunrise Medicalin tai valtuutetun jälleenmyyjän järjestämän asianmukaisen koulutuksen.

JAY 3 -SELKÄTUEN KÄYTTÖTARKOITUS

JAY 3 -selkätuki tukee hyvin selkää ja soveltuu monentyyppisille käyttäjille. Selkäosa on suunniteltu siten, että se tukee selkää helposti, mukavasti ja tehokkaasti ja maksimoi siten toiminnallisuuden ja pidentää istumisen sietokykyä. Selkäosa on lisäksi kevyt, kestävä ja helppokäyttöinen.

Selkätuki voidaan asentaa monenlaisiin pyörätuoleihin.

Enimmäiskantavuus:

136 kg – pienikokoiset (ja tavalliset vanhemmat kiinnikkeet)

227 kg – vahvat pienikokoiset kiinnikkeet

Selkänojan suunniteltu käyttöikä on neljä vuotta.

VAROITUS

Selkätuen asentaminen pyörätuoliin voi vaikuttaa pyörätuolin painopisteeseen ja pyörätuoli voi kaatua taaksepäin aiheuttaen mahdollisesti henkilövahinkoja. Arvioi aina onko pyörätuolin tasapainon takaamiseksi tarvetta käyttää kaatumasteita tai amputointipotilaiden akselisovittimia.

VAROITUS

Älä työnnä tai nosta pyörätuolia J3-selkätuesta. Selkätuki voi irrota äkillisesti pyörätuolista väärän käyttötavan seurauksena.

VAROITUS

Älä nosta pyörätuolia J3-selkätuen kädensijasta. Se on tarkoitettu ainoastaan selkänojan irrottamiseen.

VAROITUS

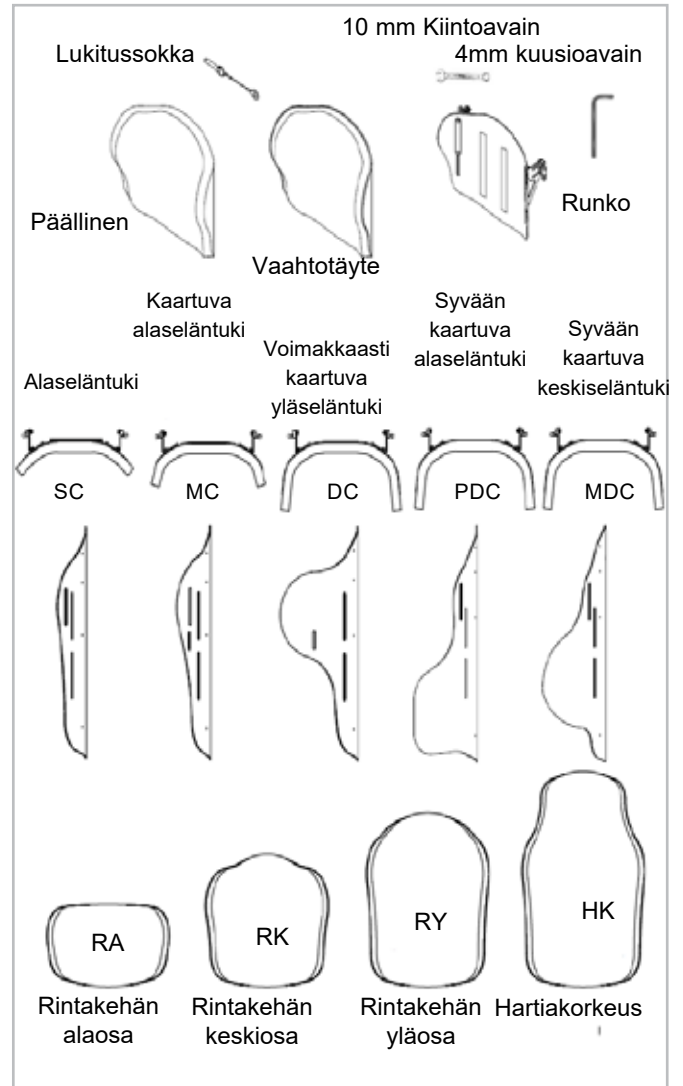
Huolimattomuus voi aiheuttaa tulipalon

VAROITUS!

Lue käyttöohjeet ennen käyttöä.



J3-SELKÄTUKI



HUOLTO

Sunrise suosittelee, että kaikki kiinnikkeet on tarkastettava kulumisen, löystyneiden ja rikkoutuneiden osien (esim. pultit) varalta kuuden kuukauden välein. Löystyneet kiinnikkeet on kiristettävä asennusohjeiden mukaisesti. Kaikki kiinnikkeet on kiristettävä laitteen asennusohjeissa ilmoitettuihin vääntömomentteihin. Tilaa rikkinäisten osien tilalle heti uudet osat Sunrise Medicalin valtuuttamalta jälleenmyyjältä. Älä jatka tuotteen käyttöä, jos havaitset löystyneitä tai rikkinäisiä osia.

HELPPO PUHDISTAA

HUOMAUTUS: Kun irrotat selkätuen puhdistusta varten, merkitse Velcro®-tarranauhalla kiinnitettävien selkärangan tukiosien asento muistiin oikeaa asennusta varten.

Päällisen puhdistaminen

Irrota päällisen tarranauhakiinnitys. Irrota päällinen selkätuen rungosta. Etsi päällisen alaosaan sijaitseva vetoketju ja avaa se. Poista vaahtomuovi ja käännä päällinen nurinpäin. Vedä päällisen vetoketju kiinni ettei se tartu kiinni pesurumpuun. Konepese lämpimässä vedessä (60° C) Valuta kuivaksi tai kuivaa alhaisella lämmöllä pyykinkuivaajassa.

HUOMAUTUS:

- Älä kuivapese istuimen päällistä äläkä pese sitä teollisuuspesukoneessa tai kuivata teollisuuskuivaajassa.
- Älä höyrypese painehöyryllä.
- Älä valkaise.

Aseta vaahtomuovi takaisin päällisen sisälle. Huomaa, että alustassa on kaksi vaahtomuovikerrosta. Varmista vaahtomuovia takaisin asettaessasi, että ohuempi vaaleanharmaa vaahtomuovi tulee selkänöjan runkoa vasten. Varmista, että vaahtomuovi on asetettu oikein paikalleen ja vedä sitten vetoketju kiinni.





Selkätuen rungon puhdistaminen

Runko voidaan pyyhkiä puhtaaksi saippuavedellä. Muuta huoltoa ei tarvita.

Kiinnikkeiden puhdistaminen

Kiinnikkeet voidaan pyyhkiä puhtaaksi saippuavedellä. Älä upota kiinnikkeitä veteen.

Jos sinulla on kysyttävää puhdistuksesta, ota yhteyttä Sunrise Medicalin valtuutettuun jälleenmyyjään.

Pesumerkit	
	Konepese lämpimässä vedessä (60° C)
	Käytä tarvittaessa ainoastaan klooraamatonta
	valkaisuainetta
	Kuivaa valuttamalla
	Ei saa silitää Ei saa kuivapestä

YHTEENSOPIVUUDEN MÄÄRITTÄMINEN

Pyörätuolityypit

J3-selkätuki on tarkoitettu yhteensopivaksi useimpien pyörätuolimallien

Pyörätuoleja, joissa istuimen kulmaa voidaan säätää pikasäätöisesti ja joiden selkänojaa voidaan laskea tai kallistaa niin, että selkänojan kulma on yli 60 astetta pystysuunnasta asennosta, ei saa käyttää.

VAROITUS

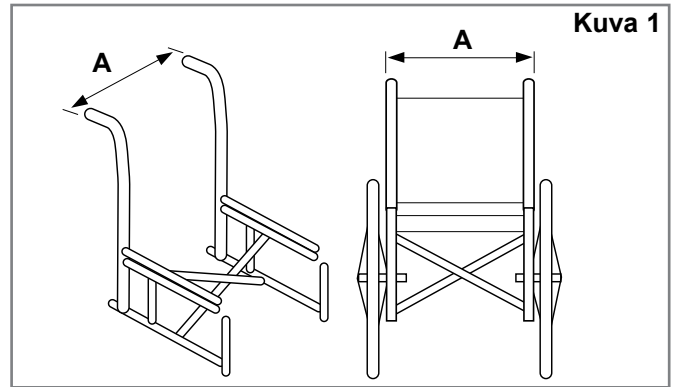
Selkätuen käyttäminen tämäntyyppisten pyörätuolien kanssa voi aiheuttaa selkätuen irtoamisen vahingossa pyörätuolista ja johtaa kaatumiseen ja mahdollisesti vakavaan vammaan.

Pyörätuolin mitat

J3-selkätukion tarkoitettu korvaamaan pyörätuolin oma kangaspäällyste. Määritä ennen asennusta ovatko käytössä olevan pyörätuolin selkäosan putket yhteensopivat mittaamalla oman selkäosan putkien välinen leveys, ks. kuva 1. Tarkista tämän mittaustuloksen perusteella taulukosta 1 sopiiko selkäosa tuoliin.

Tarkista seuraavaksi, että selkäosan putket ovat läpimitaltaan sopivat. J3-selkäosan kiinnikkeet voidaan kiinnittää pyörätuolin selkäosan putkiin, joiden läpimitta on 1,9–2,85 cm (3/4" - 1 1/8"). Mittaa selkäosan putken halkaisija (kuva 2) ja tarkista taulukosta 2, että selkäosan putki on yhteensopiva.

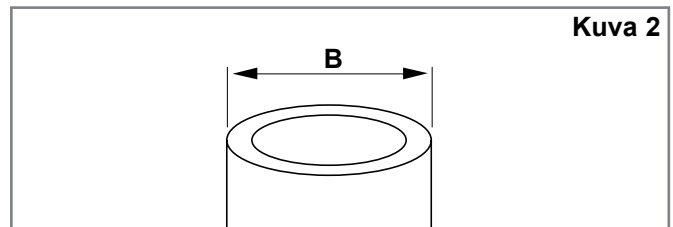
Jos et voi määrittää ovatko selkäosaputket yhteensopivia, ota yhteys Sunrise Medicalin valtuutettuun jälleenmyyjään tai Sunrise Medicalin asiakaspalveluun.



Taulukko 1

J3-selkäosan leveys* (kaikki muodot)	Selkäosan putkien leveys putkien ulkopinnasta ulkopintaan (kuva 1-A)			
	Vähimmäisleveys		Enimmäisleveys	
	tuumaa	cm	tuumaa	cm
12" 31 cm	11,7	29,7	14,3	36,3
14" 36 cm	13,7	34,9	16,3	41,3
16" 41 cm	15,7	40,0	18,3	46,4
18" 46 cm	17,7	45,1	20,3	51,6
20" 51 cm	19,7	50,1	22,3	56,5

* Selkäosan leveys on yksilöity selkäosasi osanumerossa. Esimerkki: J3SCMTS36 tarkoittaa 36 cm:n selkäosaa.



Taulukko 2

J3-selkäosan leveys (kaikki muodot)	Putken halkaisija (kuva 2-B)			
	Vähimmäisleveys		Enimmäisleveys	
	tuumaa	cm	tuumaa	cm
14-20" (36-51cm)	3/4	1,9	1-1/8	2,85

KIINNikkeiden ASENNUS

Lue seuraavat ohjeet ennen asennuksen aloittamista.

J3-selkäosan asentaminen on paras aloittaa niin, ettei käyttäjä istu pyörätuolissa. Kun selkäosa on asennettu ja tarvitaan pieniä säätöjä, käyttäjä voi taas istua pyörätuolissa.

Tarvittavat työkalut (kuuluvat J3-selkäosan toimitukseen)*

- 4mm kuusioavain
- 10mm kiintoavain



HUOMAUTUS:

Aina kun vääntömomentti on ilmoitettu, oikean momentin saavuttaminen tulisi tarkistaa momenttiavaimella (ei toimiteta J3-selkäosan kanssa).

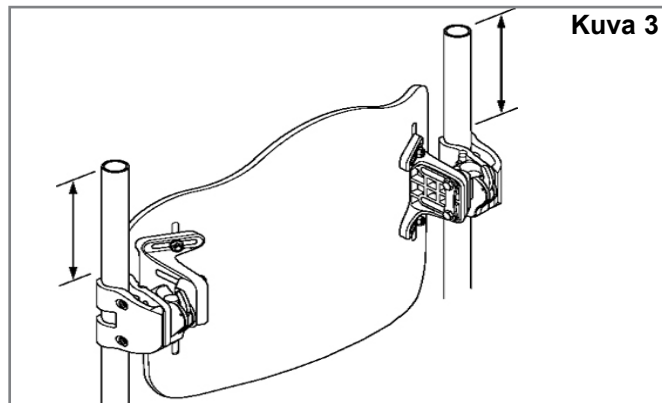
Kiinnikkeiden asennusohjeet (kuvat 3, 4, 5)

Koskee kaikkia osatyyppejä (pienikokoiset, kovaan käyttöön tarkoitetut pienikokoiset ja vanhan standardin mukaiset kiinnikkeet).

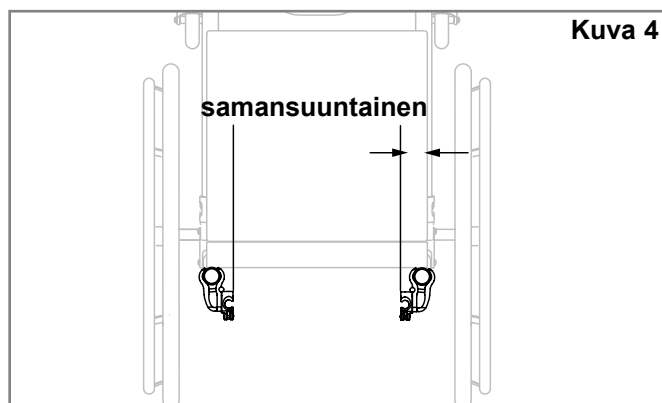
1. Poista pyörätuolin nykyinen selkäosa pyörätuolin valmistajan ohjeiden mukaisesti.
2. Määritä silmämääräisesti pyörätuolin selkäosan putkien pidikkeiden haluttu sijainti. Kiinnikkeiden tulisi olla suurin piirtein yhtä korkealla selkäosan putkissa (kuva 3) ja samansuuntaiset istuimen rungon kanssa (kuva 4). korkeampi sijainti selkäosan putkissa on yleensä parempi.
- 3: kiinnitä kiinnikkeiden pidikkeet. (Kuva 5)
 - a. Löysää kiinnitysruuvit (A) toimitukseen kuuluvalla 4 mm kuusioavaimella/4 mm kuusioavaimella. HUOMAUTUS– Jos putken läpimitta on suuri, kiinnitysruuvit on ehkä irrotettava kokonaan.
 - b. Kiinnitä ja suuntaa pidikkeet pyörätuolin selkäosan putkiin (B).
 - c. Kiristä kiinnitysruuvit käsin (A). HUOMAUTUS– Pidikkeet voivat vaatia ylimääräistä sivuttaissäätöä oikean suuntauksen varmistamiseksi.

J3-selkäosan rungon kiinnittäminen ja kohdistaminen (kuva 6)

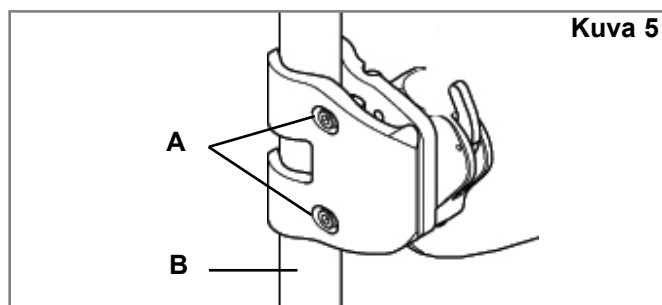
- a. Löysää kiinnitysmutterit (C) ja kiinnityssokan mutterit (F) 10 mm:n kiintoavaimella, kunnes kiinnike liikkuu helposti kaikkiin suuntiin.
- b. Kiinnitä J3-selkäosa kiinnikkeiden pidikkeisiin asettamalla vasen ja oikea kiinnityssokka (D) vasempaan ja oikeaan pidikkeeseen (E).
- c. Sijoita selkäosa haluttuun kohtaan suhteessa sekä tuoliin että käyttäjään.
- d. Kiristä mutterit käsin kiinnityssokan sisäpuolella (F). HUOMAUTUS– Selkäosan syvyys ja kulma voivat vaatia lisäsäätöjä, jotta ne saadaan käyttäjälle sopivaksi.
- e. Kiristä kannattimen mutterit käsin (C). HUOMAUTUS– Selkäosan korkeus voi vaatia lisäsäätöjä, jotta se saadaan käyttäjälle sopivaksi.
- f. Testaa selkäosan vapautus painamalla vapautusvipuja eteenpäin ja irrottamalla selkäosa tuolista. (Katso lisätietoja Irrotus ja vaihtaminen -osasta.) Kiinnikkeiden ja selkäosan suuntaus on oikea, kun kiinnitys ja irrotus sujuvat kitkattomasti ja helposti.
- g. Jos suuntaus ei ole oikea, säädä osia, kunnes ne on suunnattu oikein.
- h. Kun osat on suunnattu oikein, kiristä kiinnikkeiden pidikkeiden ruuvit. Suositeltu vääntömomenttiarvo on 8,5-9,3 Nm (75-85 in-lbs).



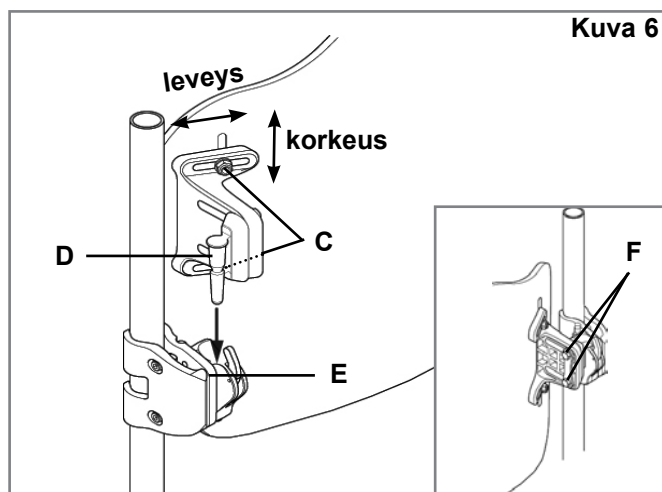
Kuva 3



Kuva 4



Kuva 5



Kuva 6

J3-SELKÄOSANKORKEUDEN, SYVYYDEN JA KULMAN SÄÄTÖ

J3-selkäosan kiinnikkeiden asennuksen ensimmäinen vaihe on valmis. Nyt käyttäjä voi istuutua takaisin tuoliin J3-selkäosan henkilökohtaista säätöä varten. Älä anna käyttäjän nojata selkäosaan täydellä painolla, sillä sitä ei ole vielä kiristetty täysien vääntömomenttivaatimusten mukaisesti.

1. Korkeudensäätö (kuva 10)

- Määritä selkäosan haluttu korkeus käyttäjän istuessa tuolissa. Kun korkeus on määritetty, pyydä käyttäjää olemaan nojaamatta J3-selkäosaan nojaamalla tai liukumalla osittain eteenpäin, jotta säätö voidaan tehdä.
- Löysää kannattimien mutterit (A) ja säädä selkäosan rungon korkeus haluttuun kohtaan.
- Kiristä kannattimien mutterit tiukasti (A). Suositeltu vääntömomenttiarvo on 8,5 - 9,3 Nm.

HUOMAUTUS: Kun korkeuden säätö on valmis, tarkista ettei leveys ole vahingossa muuttunut.

2. Syvyyden/kulman säätö (kuvat 11, 12 ja 13)

Huomaa, että tilattavia kiinnikkeitä on kahta tyyppiä - vakiokiinnike (kuva 11) tai pitempi, säädettävä kiinnike (kuva 12). Molemmat kiinnikesarjat säädetään samalla tavoin, mutta vakiokiinnike sallii 5 cm syvyydensäädön (kuva 11), kun taas jatkettava kiinnike (säädettävä kiinnike) sallii 8,5 cm syvyyssäädön (kuva 12).

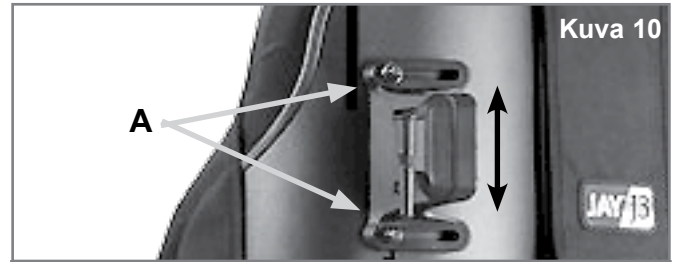
- J3-selkäosan syvyyttä säädetään löysäämällä vasenta ja oikeaa mutteria (kuva 13-B) kannattimen aukoissa.
- Säädä syvyys ja/tai kulma ja kiristä tiukasti. Suositeltu vääntömomenttiarvo on 11,3 - 12,4 Nm. Varmista, ettei yksikään syvyydensäätömutteri (kuva 13-B) luista tai pyöri.
- Jos tarvitaan lisää syvyyttä, irrota selkäosa pidikkeistä. Irrota ruuvit (kuvat 11-D, 12-D) kiinnikkeestä toimitukseen kuuluvalla 4 mm kuusioavaimella ja aseta haluttuun syvyyteen. Huomautus: Jos selkäosaa on tarkoitus siirtää tulevaisuudessa, suosittelemme vahvasti, että pidike ja ruuvien kiertet käsitellään keskivahvalla ruuvilukitteella (esim. Loctite 243:lla). Kiristä ruuvit momenttiin 2,8 - 4 Nm.

VAROITUS

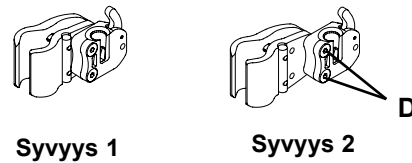
Varmista kaikkien säätöjen jälkeen, että kaikki kiinnikkeet on kiristetty oikein ja että J3-selkäosa on valmis käytettäväksi.

VAROITUS

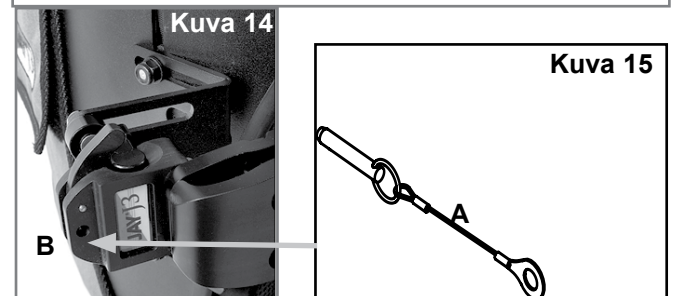
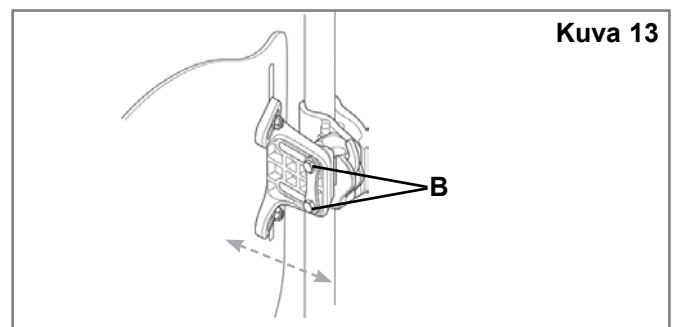
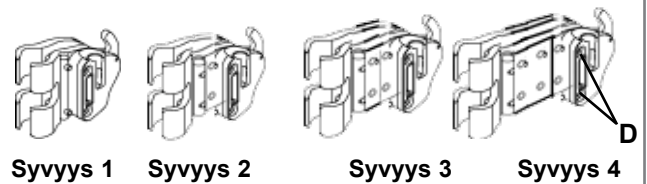
Selkäosan käyttöturvallisuus on taattava asettamalla lukitussocka paikalleen ennen tuolin käyttöä, (kuva 14 ja 15).



Pienikokoiset kiinnikkeet - 2 syvyyssasetusta Kuva 11



Vahvat pienikokoiset kiinnikkeet Kuva 12



NÄKÖSUOJAN ASENNUS

1. Nosta J3-selkäosan suojuksen yläosa irti (kuva 17)
2. Kiinnitä näkösuoja kiinnityshihnalla J3-selkäosan suojukseen (kuva 17). Laske suojuksen yläosa takaisin paikalleen siten, että näkösuoja jaa suojuksen ylä- ja alaosan väliin (kuva 18).
3. Poista tuolin istuintyyny ja aseta näkösuojan toinen pää istuinrakenteen ja istuintyynyn väliin (kuva 20).
4. Säädä näkösuojaa tarpeen mukaan vetämällä istuintyynyn alla olevaa näkösuojan päätä. Voit myös tarvittaessa liikuttaa näkösuojan yläosaa selkäosaa ylös tai alas.
5. Syötä kiinnityshihnat näkösuojan läpivientien läpi, kiinnitä ne pyörätuolin runkoon ja kiristä hihnat (kuva 21). Levitä näkösuoja tasaisesti peittäen mahdolliset reiät (kuva 22).

Valinnainen säilytyspussi

HUOMAUTUS: Näkösuojaan on saatavilla valinnainen säilytyspussi (kuva 16).



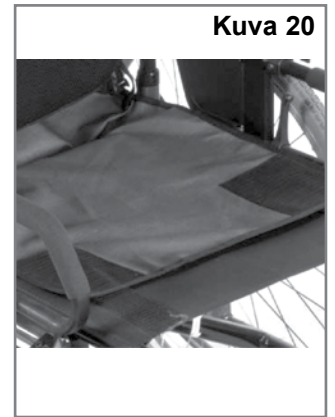
Kuva 17



Kuva 18



Kuva 19



Kuva 20



Kuva 21



Kuva 22



Kuva 16



Kuva 23

J3-näkösuoja asennettuna

SELKÄRANGAN TUENTAOSAT

Selkärangan tuentaosat on suunniteltu siten, että niillä saavutetaan yksikölinen selän tuenta selkäosan sarjatuotantomallia käyttäen. (Selkärangan tuentaosat saattavat kuulua selkäosan toimitukseen alueesta riippuen.) Asenna selkärangan tuen asetteluosat seuraavia ohjeita noudattaen.

1. Selkärangan asentoa tukevien osien asennus

- Pyydä käyttäjää olemaan nojaamatta J3-selkäosaan nojaamalla tai liukumalla osittain eteenpäin, jos se on mahdollista.
- Irrota tarranauha yläsuojuksen kaistaleesta (kuva 24) ja nosta päällystä eteenpäin siten, että J3-selkäosan sisäosat tulevat näkyviin.
- Aseta asentoa tukevat osat tarranauhaan rungon sisällä (kuva 25) ja kiinnitä yläsuojuksen kaistale takaisin paikalleen. Vedä alas varmistaen, että yläsauma on suunnattu rungon yläosan mukaisesti. Jos sauma ei ole tasainen, päällyksen pohjaa on ehkä löysättävä (kuva 26).
- Anna käyttäjän kokeilla onko selkärangan tuki asetettu miellyttävään ja tukevaan asentoon; toista tarvittaessa vaiheet a-c kunnes säätö on valmis.
- Käytössä voi olla useita selkärangan tuentaosia ja niiden yhdistelmiä. Erikoisia ja mallisia selkärangan tuentaosia on saatavissa jälleenmyyjältä tai Sunrise Medicalilta.

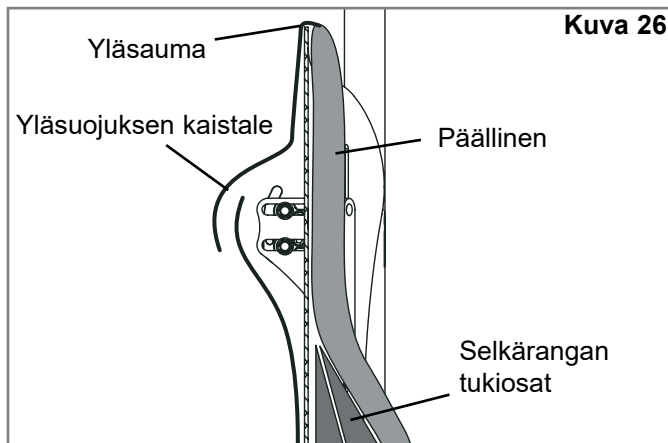
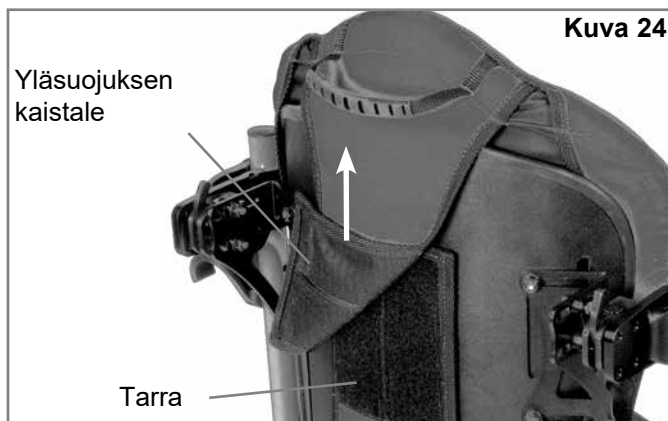
HUOMAUTUS: Jos haluat lisätietoja selkärangan tuentaosista, katso animaatio osoitteessa www.sunrisemedical.com.

J3-selkäosan asennus on valmis.

J3-LISÄVARUSTEET

Jos olet tilannut J3-lisäosia, kuten sivuosia, päätukia tai valjaita, katso kyseisten varusteiden asennusohjeet.

Tuentaosat	
Suuri ristiseläntuki	
Pieni ristiseläntuki	
Kiila	
Kaareva tiivistelevy	
Litteä tiivistelevy	
Takana/sivussa sijaitseva lantio-osa	
Sivutiivistelevy	
Suuri hernepussi	
Pieni hernepussi	



SELKÄOSAN KULJETUSTURVALLISUUS

J3-selkäosa on testattu dynaamisesti moottoriajoneuvossa käyttöä varten. Noudata kaikkia tämän käyttöoppaan asennus-, käyttö- ja ylläpito-ohjeita sekä alla lueteltuja kuljetusohjeita.

VAROITUS

**ÄIDENVAROITUKSIENNOUDATTAMATTAJÄTTÄMINEN
VOI JOHTAA PYÖRÄTUOLIN KÄYTTÄJÄN TAI MUIDEN
HENKILÖIDEN VAKAAN LOUKKAANTUMISEEN.**

OHJEET

1. Kuljettajan tulisi mahdollisuuksien mukaan siirtyä ajoneuvovalmistajan alkuperäiseen istuimeen ja käyttää ajoneuvon turvavyöjärjestelmää.
2. etäisyys käyttäjän hartian yläosasta selkäosan yläosaan ei saa olla yli 16,5 cm.
3. Pyörätuolissa on oltava merkintä, että se soveltuu käytettäväksi ajoneuvon istuimena, ja että se on dynaamisesti testattu ISO 7176-19 -standardin vaatimusten mukaisesti, ja että se on asennettu, sitä käytetään ja ylläpidetään valmistajan ohjeiden mukaisesti.
4. Jos alkuperäinen pyörätuolin istuin on vaihdettu, uuden istuimen on oltava hyväksytty pyörätuolikuljetukseen ja sen asennuksessa, käytössä ja ylläpidossa on noudatettava valmistajan ohjeita.
5. Pyörätuolin sidonta- ja käyttäjän kiinnitysjärjestelmän (WTORS) tulee olla yhteensopiva pyörätuolin kanssa, sitä on käytettävä valmistajan ohjeiden mukaisesti ja sen on täytettävä ISO 10542 -standardissa esitetyt vaatimukset.
6. Pyörätuolin on oltava suunnattu eteenpäin kuljetuksen aikana.
7. Pyörätuolin käyttäjän vammautumisvaarojen minimoimiseksi pyörätuoliin asennettavat tarvikkeet kuten tarjottimet ja hengityskoneet on poistettava ja kiinnitettävä erikseen kuljetuksen ajaksi.
8. Tämä tuote on tarkoitettu 35-136 kg painavien aikuisten käyttöön.
9. Asentoa tukeviin laitteisiin, kuten lantiovyöt, vartalotuet tai asentotukiin, kuten kylkituet, ei tulisi turvautua käyttäjän kiinnityksinä liikkuvissa ajoneuvoissa, jollei niissä ole merkintää, että ne ovat ISO 16840-4 -standardin mukaisia.
10. Rakenteeseen, osiin tai komponentteihin ei saa tehdä muutoksia tai korvauksia ilman valmistajan suostumusta.

IRROTUS JA VAIHTAMINEN

Irrotus

Kun selkätuki on asennettu ja säädetty paikalleen, se voidaan poistaa helposti pyörätuolista tarvittaessa. Irrottaminen tapahtuu työntämällä molemmat lukitusvivut eteenpäin lukituksen vapauttamiseksi (kuva 27). Kun molemmat vivut ovat eteenpäin-asennossa, nosta selkäosaa suoraan ylös (kuva 28) selkäosan yläosassa olevasta kahvasta.

Oikea uudelleenkiinnittäminen selkätuen irrottamisen jälkeen

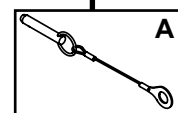
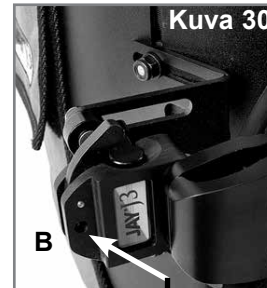
Kiinnittäaksesi selkäosan uudelleen kiinnikkeen pitimiin, kohdista sokat pidikkeisiin ja paina paikalleen (kuva 29). Oikein asetettuina sokat naksahtavat lukitusasentoon.

VAROITUS

Jos et ole varma kuulitko lukituksen naksahdusääneen, vedä selkäosaa ylös kahvasta varmistaaksesi, että se on lukkiutunut tiukasti.

Lukitussockat (kuva 30)

J3-selkäosan toimitukseen kuuluu kaksi lukitussockaa, jotka estävät kiinnitettyinä selkäosan irtoamisen tuolista. Lukitseminen tapahtuu asettamalla sokat (A) kiinnikkeen pidikkeisiin (B). Poista sokat, jos haluat pikairrotusominaisuuden käyttöön.



KONTRAINDIKAATIOT:**⚠ VAROITUS**

Älä käytä tai määrää tätä selkänjojaa henkilölle, jonka paino ylittää suurimman sallitun käyttäjän maksimipainon.

KIERRÄTYS / UDELLEENKÄYTTÖ:**⚠ VAROITUS**

- Loukkaantumisvaara
- Pyydä aina Sunrise Medicalin valtuuttamaa jälleenmyyjää tarkistamaan tuote kulumisen ja vaurioiden varalta ennen sen luovuttamista toiselle käyttäjälle. **ÄLÄ KÄYTÄ TÄTÄ TUOTETTA**, jos siinä on havaittu mitään tahansa vaurioita.
- Tämän varoituksen noudattamatta jättäminen voi johtaa vakavaan loukkaantumiseen.

Tämä tuote soveltuu uudelleenkäytettäväksi*:

- Pyydä Sunrise Medicalin valtuuttamaa jälleenmyyjää tarkistamaan runko, kiinnitykset, pehmusteet ja päälliset kulumisen ja vaurioiden varalta. Jos vaurioita havaitaan, älä luovuta tuotetta uudelleenkäyttöön.
- Puhdista ja desinfioi runko, kiinnikkeet, pehmusteet ja päälliset paikallisten määräysten mukaisesti. Pyydä tarkempia tietoja paikallisesta infektioiden torjuntatoimistosta.
- Kun tuote on puhdistettu ja desinfioitu, pyydä Sunrise Medicalin valtuuttamaa jälleenmyyjää tarkistamaan uudelleen runko, kiinnitykset, pehmusteet ja päälliset, jotta voidaan varmistaa, etteivät ne ole vahingoittuneet puhdistuksen/desinfioinnin yhteydessä.

⚠ VAROITUKSET:

- Uudelleenkäyttöön liittyvien ohjeiden noudattamatta jättäminen voi johtaa käyttäjän vakavaan loukkaantumiseen.
- Uudelle käyttäjälle luovutettavan tuotteen säädöt tulee määrittää uudelleen Sunrise Medicalin valtuuttaman jälleenmyyjän tai lääkintähenkilön toimesta.

24 KUUKAUDEN RAJOITETTU TAKUU**24 KUUKAUDEN RAJOITETTU TAKUU**

Jokainen JAY J3-selkäosa tarkastetaan ja testataan huolellisesti parhaan mahdollisen suorituskyvyn takaamiseksi. Jokaiselle JAY J3-selkäosalle myönnetään 24 kuukauden materiaali- ja valmistusvirhetakuu ostopäivästä lähtien olettaen, että tuotetta käytetään normaalisti. Jos tuotteessa esiintyy materiaali- tai valmistusvirhe 24 kuukauden sisällä alkuperäisestä ostopäivästä, Sunrise Medical korjaa tai vaihtaa viallisen tuotteen harkintansa mukaan maksutta. Takuu ei kata puhkeamia, repeämiä, palojälkiä eikä selkäosan irrotettavaa päällistä.

Takuuhakemukset ja korjaukset tulee hoitaa lähimmän valtuutetun jälleenmyyjän kautta. Kaikki muut kuin tässä yhteydessä mainitut takuut mukaan lukien kaupattavuutta ja tiettyyn käyttötarkoitukseen soveltuvuutta koskevat implisiittiset takuut eivät ole voimassa. Tuotteita eivät koske mitkään muut kuin tässä mainitut takuut. Tässä esitettyjen takuehtojen rikkomisesta aiheutuvat korvaukset rajoittuvat tuotteiden korjaukseen tai vaihtamiseen. Takuehtojen rikkomisesta myönnettävät korvaukset eivät voi missään tapauksessa sisältää välillisten vahinkojen korvauksia eivätkä korvaukset voi ylittää viallisten tuotteiden ostohintaa.





Sunrise Medical S.r.l.
Via Riva, 20 – Montale
29122 Piacenza
Italia
Tel.: +39 0523 573111
Fax: +39 0523 570060
www.SunriseMedical.it

Sunrise Medical AG
Erlenauweg 17
CH-3110 Münsingen
Schweiz/Suisse/Svizzera
Fon +41 (0)31 958 3838
Fax +41 (0)31 958 3848
www.SunriseMedical.ch

Sunrise Medical AS
Delitoppen 3
1540 Vestby
Norge
Telefon: +47 66 96 38 00
post@sunrisemedical.no
www.SunriseMedical.no

Sunrise Medical AB
Neogatan 5
431 53 Mölndal
Sweden
Tel.: +46 (0)31 748 37 00
post@sunrisemedical.se
www.SunriseMedical.se

MEDICCO s.r.o.
H – Park, Heršpická 1013/11d,
639 00 Brno
Czech Republic
Tel.: (+420) 547 250 955
Fax: (+420) 547 250 956
www.medicco.cz
info@medicco.cz
Bezplatná linka 800 900 809

Sunrise Medical Aps
Mårkærvej 5-9
2630 Taastrup
Denmark
+45 70 22 43 49
info@sunrisemedical.dk
www.Sunrisemedical.dk

Sunrise Medical Australia
11 Daniel Street
Wetherill Park NSW 2164
Australia
Ph: +61 2 9678 6600
Email: enquiries@sunrisemedical.com.au
www.SunriseMedical.com.au

Sunrise Medical
North American Headquarters
2842 Business Park Avenue
Fresno, CA, 93727, USA
(800) 333-4000
(800) 300-7502
www.SunriseMedical.com

EC REP

Sunrise Medical GmbH
Kahlbachring 2-4
69254 Malsch/Heidelberg
Deutschland
Tel.: +49 (0) 7253/980-0
Fax: +49 (0) 7253/980-222
www.SunriseMedical.de

Sunrise Medical
Thorns Road
Brierley Hill
West Midlands
DY5 2LD
England
Phone: 0845 605 66 88
Fax: 0845 605 66 89
www.SunriseMedical.co.uk

Sunrise Medical S.L.
Polígono Bakiola, 41
48498 Arrankudiaga – Vizcaya
España
Tel.: +34 (0) 902142434
Fax: +34 (0) 946481575
www.SunriseMedical.es

Sunrise Medical Poland
Sp. z o.o.
ul. Elektronowa 6,
94-103 Łódź
Polska
Telefon: + 48 42 275 83 38
Fax: + 48 42 209 35 23
E-mail: pl@sunrisemedical.de
www.Sunrise-Medical.pl

Sunrise Medical B.V.
Groningenhaven 18-20
3433 PE NIEUWEGEIN
The Netherlands
T: +31 (0)30 – 60 82 100
F: +31 (0)30 – 60 55 880
E: info@sunrisemedical.nl
www.SunriseMedical.nl

Sunrise Medical HCM B.V.
Vossenbeemd 104
5705 CL Helmond
The Netherlands
T: +31 (0)492 593 888
E: customerservice@sunrisemedical.nl
www.SunriseMedical.nl
www.SunriseMedical.eu
(International)

Sunrise Medical S.A.S
ZAC de la Vrillonnerie
17 Rue Mickaël Faraday
37170 Chambray-Lès-Tours
Tel : + 33 (0) 247554400
Fax : +30 (0) 247554403
www.sunrisemedical.fr

