

J3 Carbon™ Back



Important Consumer Information

NOTE: This manual contains important instructions that must be passed on to the user of this product. Please do not remove this manual before delivery to the end user.

SUPPLIER: This manual must be given to the user of this product.

USER: Before using this product, read this entire manual and save for future reference.

WARRANTY REGISTRATION: To validate the warranty on this product, please complete and return the postcard attached to the enclosed instruction and warranty booklet.

Owner's Manual

J3 Carbon™ Rückenlehne



Wichtige Informationen für den Benutzer

HINWEIS: Dieses Handbuch enthält wichtige Informationen, die an den Benutzer dieses Produkts weitergeleitet werden müssen. Bitte entfernen Sie dieses Handbuch vor der Auslieferung an den Endbenutzer nicht.

FACHHÄNDLER: Dieses Handbuch muss dem Benutzer des Produkts ausgehändigt werden.

BENUTZER: Vor dem Gebrauch des Rollstuhls lesen Sie bitte das gesamte Handbuch, und bewahren Sie es für zukünftigen Bedarf auf.

GARANTIEREGISTRIERUNG: Damit die Garantie für dieses Produkt gültig wird, füllen Sie bitte die Postkarte im beigefügten Anleitungs- und Garantieheft aus und senden Sie sie an uns zurück.

Gebrauchsanweisung

J3 Carbon™ Dossier



Informations importantes pour l'utilisateur

REMARQUE : ce manuel comporte d'importantes informations à transmettre impérativement à l'utilisateur du produit. Veuillez ne pas retirer ce manuel avant la livraison à l'utilisateur final.

REVENDEUR : ce manuel doit être remis à l'utilisateur du produit.

UTILISATEUR : avant d'utiliser votre fauteuil, lisez attentivement ce manuel dans son intégralité et conservez-le pour pouvoir vous y référer ultérieurement.

ENREGISTREMENT DE GARANTIE : pour valider la garantie de ce produit, veuillez remplir et renvoyer la carte d'enregistrement que vous trouverez dans le manuel et le livret de garantie.

Manuel d'utilisation



Cuscino J3 Carbon™



Importanti informazioni per l'utente

AVVISO: questo manuale contiene importanti istruzioni che devono essere comunicate all'utente di questo prodotto. Si prega di non rimuovere il manuale prima della consegna all'utente.

RIVENDITORE: questo manuale va consegnato all'utente del prodotto.

UTENTE: prima di usare il prodotto, leggere attentamente tutte le sezioni del manuale e conservarlo per riferimento futuro.

GARANZIA: per la garanzia di questo prodotto, si prega di conservare la prova d'acquisto del prodotto.

Manuale d'uso

J3 Carbon™ Kussen



Belangrijke informatie voor consumenten

OPMERKING: Deze gebruikershandleiding bevat belangrijke instructies die aan de gebruiker van dit product moeten worden doorgegeven. Verwijder deze gebruikershandleiding niet voordat het product aan de eindgebruiker is geleverd.

LEVERANCIER: Deze gebruikershandleiding moet aan de gebruiker van dit product worden gegeven.

GEbruIKER: Lees voordat u het product gebruikt, deze gebruikershandleiding helemaal door. Bewaar de handleiding goed, zodat u hem in de toekomst ook kunt naslaan.

Handleiding

J3 Carbon™ Kudde



Viktig konsumentinformation

OBS: Denna manual innehåller viktiga instruktioner som måste delges användaren av denna produkt. Vänligen avlägsna ej denna manual före leveransen till slutanvändaren.

LEVERANTÖR: Denna manual måste överlämnas till den som ska använda produkten.

ANVÄNDARE: Innan du använder denna produkt, vänligen läs manualen och spara den sedan för framtida behov.

GARANTI REGISTRERING: För att bekräfta garantin för denna produkt, fyll i och skicka det bifogade vykortet som medföljer instruktionen och garantihäftet.

Bruksanvisning

Cojín J3 Carbon™



Información importante para el consumidor

NOTA: Este manual contiene instrucciones importantes que deben ser transmitidas al usuario del producto. No extraiga este manual antes de la entrega al usuario final.

DISTRIBUIDOR: Debe entregar este manual al usuario del producto.

USUARIO: Antes de utilizar este producto, lea atentamente el manual completo.

REGISTRO DE GARANTÍA: Para validar la garantía de este producto, complete y envíe la postal adjunta al manual de instrucciones y cuadernillo con la garantía.

Manual del Usuario

Almofada J3 Carbon™



Informação importante para o consumidor

AVISO: Este manual contém instruções importantes que devem ser transmitidas ao utilizador deste produto. Não remova este manual antes de o entregar ao utilizador final.

FORNECEDOR: Este manual deve ser entregue ao utilizador deste produto.

UTILIZADOR: Antes de usar este produto, leia todo o manual e guarde-o para referência futura.

REGISTO DA GARANTIA: Para validar a garantia deste produto, preencha e envie o postal anexado às instruções e livro da garantia incluídos.

Manual do Utilizador

μαξιλαριού J3 Carbon™



Σημαντικές πληροφορίες για τον καταναλωτή

ΣΗΜΕΙΩΣΗ: Το παρόν εγχειρίδιο περιέχει σημαντικές οδηγίες που πρέπει να διαβιβαστούν στο χρήστη αυτού του προϊόντος. Μην αφαιρέσετε αυτό το εγχειρίδιο πριν από την παράδοση στον τελικό χρήστη.

ΠΡΟΣ ΤΟΝ ΠΡΟΜΗΘΕΥΤΗ: Το εγχειρίδιο αυτό πρέπει να δοθεί στο χρήστη αυτού του προϊόντος.

ΠΡΟΣ ΤΟΝ ΧΡΗΣΤΗ: Πριν χρησιμοποιήσετε αυτό το προϊόν, διαβάστε ολόκληρο το εγχειρίδιο και φυλάξτε το για μελλοντική αναφορά.

ΚΑΤΑΧΩΡΗΣΗ ΕΓΓΥΗΣΗΣ: Για να επικυρώσετε την εγγύηση σε αυτό το προϊόν, συμπληρώστε και επιστρέψτε την κάρτα που επισυνάπτεται στο εσωκλειόμενο φυλλάδιο οδηγιών και εγγύησης.

Εγχειρίδιο κατόχου

Polštář J3 Carbon™



Důležité informace pro zákazníka

UPOZORNĚNÍ: Tato příručka obsahuje informace, které je nutno předat uživateli tohoto výrobku. Neodstraňujte tuto příručku před dodáním vozíku koncovému uživateli.

DODAVATEL: Tuto příručku je nutno dát uživateli tohoto výrobku.

UŽIVATEL: Před použitím tohoto výrobku si přečtěte celou příručku a uložte si ji pro použití v budoucnu.

REGISTRACE ZÁRUKY: Pro potvrzení záruky, prosím, vyplňte a zpět odešlete poštovní lístek připojený k příloženým pokynům záruční knížky.

Uživatelská příručka

Poduszka J3 Carbon™



Ważne informacje dla klienta

UWAGA: niniejszy podręcznik zawiera ważne instrukcje, które należy przekazać użytkownikowi produktu. Niniejszego podręcznika nie należy usuwać przed dostarczeniem użytkownikowi końcowemu.

DOSTAWCA: niniejszy podręcznik należy przekazać użytkownikowi produktu.

UŻYTKOWNIK: Przed rozpoczęciem korzystania z produktu należy przeczytać niniejszy podręcznik w całości i zachować go w celu korzystania w przyszłości.

REJESTRACJA GWARANCJI: Aby nadać ważność gwarancji na ten produkt, należy wypełnić i odesłać do nas kartę dołączoną do instrukcji i karty gwarancyjnej.

Instrukcja użytkowania

J3 Carbon™ Sittepute



Viktig kundeinformasjon

MERK: Denne bruksanvisningen inneholder viktige instruksjoner som må gis til brukeren av dette produktet. Bruksanvisningen må ikke fjernes før produktet leveres til sluttbrukeren.

LEVERANDØR: Denne bruksanvisningen må gis til brukeren av dette produktet.

BRUKER: Les igjennom hele bruksanvisningen før du bruker dette produktet, og ta vare på den for fremtidig bruk.

REGISTRERING AV GARANTI: For å aktivere garantien for dette produktet, fyll ut og send inn postkortet som er festet til brukerveiledningen og garantiheftet.

Bruksanvisning

J3 Carbon™ Hynde



Vigtige forbrugeroplysninger

BEMÆRK: Denne vejledning indeholder vigtige anvisninger, som skal være tilgængelige for brugeren af produktet. Vejledningen må derfor ikke fjernes, men skal leveres til slutbrugeren sammen med produktet.

FORHANDLER: Denne vejledning skal gives videre til brugeren af produktet.

BRUGER: Sørg for at læse hele denne vejledning, inden du anvender produktet, og gem vejledningen til senere brug.

REGISTRERING AF GARANTI: For at bekræfte garantien på dette produkt, bedes du udfylde og returnere det postkort, der er fastgjort på de vedlagte instruktions- og garantibrochure.

Brugervejledning

J3 Carbon™ istuinpehmusteet



Tärkeä asiakastiedote

HUOMAUTUS: Tämä käyttöopas sisältää tärkeitä tietoja, jotka on saatettava tämän tuotteen käyttäjän tietoon. Älä poista tätä käyttöopasta ennen tuotteen toimittamista loppukäyttäjälle.

JÄLLEENMYYJÄ: Tämä käyttöopas on annettava loppukäyttäjälle.

KÄYTTÄJÄ: Lue tämä käyttöopas kokonaan ennen laitteen käyttöönottoa ja pidä se tallessa.

TAKUUN AKTIVOINTI: aktivoi tuotteen takuu täyttämällä ja palauttamalla käyttöoppaan mukana toimitettu takuukortti.

Käyttöopas



ENGLISH	7
Introduction	7
Maintenance And Cleaning	8
Fitting the Back to the Chair	9
Installation	10
Adjustment	13
Fitting and removal	14
Vanity flap installation	15
Contraindications and warranty	16



DEUTSCH	17
Einführung	17
Pflege und Reinigung	18
Montage des Rückens an den Rollstuhl	19
Montage	20
Einstellung	23
Montage und Demontage	24
Anbringen der Schutzabdeckung	25
Kontraindikationen und Garantie	26



FRANÇAIS	27
Introduction	27
Entretien et nettoyage	28
Montage du dossier sur le fauteuil	29
Installation	30
Réglage	33
Installation et dépose	34
Installation de la protection du dossier	35
Contre-indications et réutilisation	36



ITALIANO	37
Introduzione	37
Manutenzione e pulizia	38
Montaggio dello schienale sulla carrozzina	39
Installazione	40
Regolazione	43
Rimozione e montaggio	44
Applicazione della vanity flap	45
controindicazioni e garanzia	46



NEDERLANDS	47
Inleiding	47
Onderhoud en reiniging	48
Montage van de rugleuning aan de stoel	49
Montage	50
Aanpassing	53
Bevestiging en verwijdering	54
bevestiging van de beschermflap	55
contra-indicaties en garantie	56



SVENSKA	57
Inledning	57
Underhåll och rengöring	58
Montering av ryggstöd på stolen	59
Installation	60
Justering	63
Montering och borttagning	64
skyddsöverdrag installation	65
begränsningar och garanti	66



ESPAÑOL	67
Introducción	67
Mantenimiento y limpieza	68
Colocación del respaldo en la silla	69
Instalación	70
Ajuste	73
Montaje y desmontaje	74
instalación de la extensión de la funda	75
contraindicaciones y reutilización	76



PORTUGUÊS	77
Introdução	77
Manutenção e limpeza	78
Instalar o Encosto na Cadeira	79
Instalação	80
Ajustamento	83
Instalação e remoção	84
instalação da aba de proteção	85
contra-indicações e garantia	86

**ΕΛΛΗΝΙΚΑ**

Εισαγωγή	87
Συντήρηση και καθαρισμός	88
Τοποθέτηση της πλάτης στην πολυθρόνα	89
Τοποθέτηση	90
ρύθμιση	93
Τοποθέτηση και αφαίρεση	94
τοποθέτηση βοηθητικού σκεπασματος	95
αντενδείξεις και εγγύηση	96

**ČESKY**

Úvod	97
Údržba a čištění	98
Montáž závodé opěrky na invalidní vozík	99
Instalace	100
nastavení	103
Montáž a odstranění	104
instalace krycí chlopně	105
kontraindikace a záruka	106

**WERSJA POLSKA**

Wprowadzenie	107
Konserwacja i czyszczenie	108
Montowanie oparcia do wózka	109
Montaż	110
Regulacja	113
Montaż i demontaż	114
montaż klapy zasłaniającej	115
przeciwwskazania i gwarancja	116

**NORSK**

Innledning	117
Vedlikehold og rengjøring	118
Montere ryggen på stolen	119
Montering	120
Justering	123
Montering og demontering	124
montering av ryggtrekkforlenger	125
kontraindikasjoner og garanti	126

**DANSK**

Indledning	127
Vedligeholdelse og rengøring	128
Montering af ryggen på kørestolen	129
Montering	130
Justering	133
Montering og aftagning	134
montering af diskretionsposen	135
kontraindikationer og garanti	136

**SUOMI**

Esittely	137
Huoltaminen ja puhdistaminen	138
Selkäosan asennus tuoliin	139
Asennus	140
säätö	143
Asennus ja poisto	144
näkösuojan asennus	145
kontraindikaatiot ja takuutiedot	146



Sunrise Medical recommends that a clinician such as a doctor or therapist experienced in seating and positioning be consulted to determine if a J3 Carbon Back is appropriate.

⚠️WARNING!

Backs should only be installed by:

- An authorized Sunrise Medical supplier.
- A qualified and competent healthcare professional who has undergone appropriate certified training by either sunrise medical or their approved supplier.

THE JAY J3 CARBON BACK INTENDED USE

The Jay J3 Carbon Back is intended to provide a back support for a wide variety of wheelchair users. It is designed to provide simple, comfortable and effective support to help maximise function and increase sitting tolerance. In addition, it is light-weight, durable and easy to use.

The back can be installed onto a wide range of wheelchairs.

Maximum user weight: 125 kg (275 lbs).

The intended lifetime of the back rest is 2 years.

⚠️WARNING!

Installing a back support on a wheelchair may affect the center of gravity of the wheelchair and may cause the wheelchair to tip backwards potentially resulting in injury.

Always assess for the potential need for anti-tippers or amputee axle adapter brackets to be added to the wheelchair to help increase stability.

⚠️WARNING!

Do not use J3 Carbon Back to push or lift wheelchair. Improper use may cause the back to unexpectedly detach from the wheelchair.

⚠️WARNING!

Do not use the J3 Carbon back handle to lift wheelchair. It is intended only for back removal.

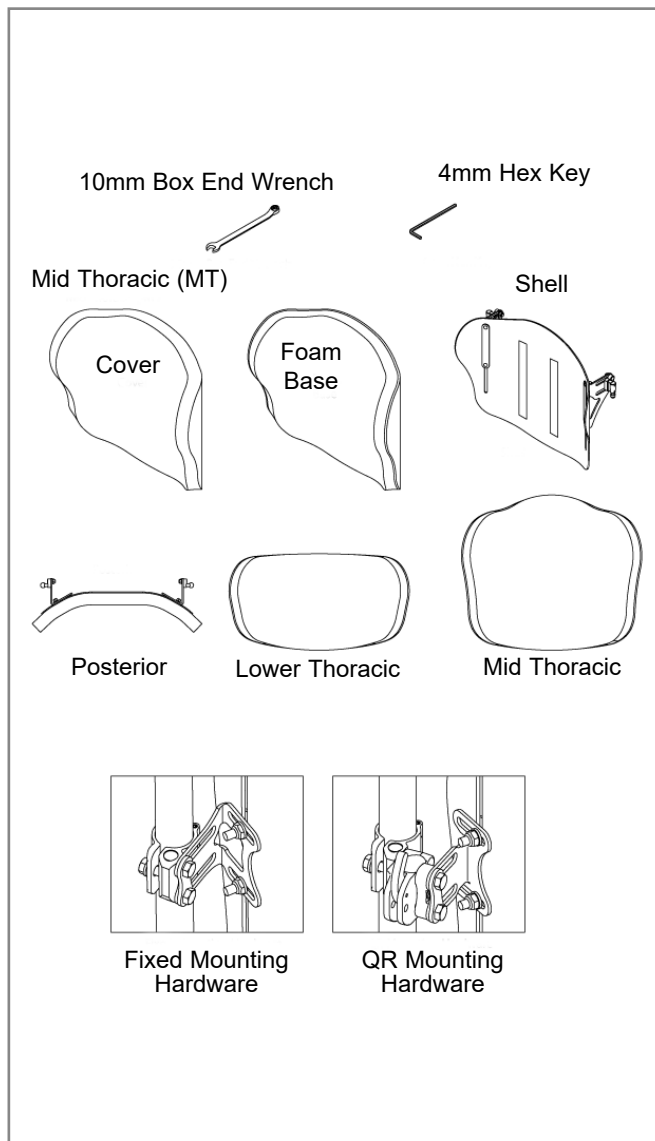
⚠️WARNING!

Carelessness causes fire.

⚠️WARNING! 

Please read this manual before usage.

J3 CARBON BACK



MAINTENANCE

Sunrise recommends that all fasteners be checked for wear, such as loose bolts or broken components every 6 months. Loose fasteners should be retightened according to the installation instructions. All fasteners should be tightened to torque specifications as stated in the hardware installation section. Contact your authorized Sunrise Medical supplier immediately to replace any broken components. Do not continue to use the system after identifying loose or broken components.

EASY CLEANING

NOTE: When disassembling the back for cleaning, note the position of the Velcro® Spine Align Components for correct reassembly.

To clean back cover

Remove cover by detaching Velcro. Detach cover from back shell. Locate zipper on bottom of the cover and unzip. Remove foam and turn cover inside out. Zip cover closed to avoid snagging. Machine wash in warm water (60°C). Drip or tumble dry on low heat.

NOTE: Do not dry clean covers or use industrial washers and dryers to clean cover. Do not steam autoclave. Do not bleach.






Reinsert the foam into the cover. Please note, the base has two layers of foam. When reinserting the foam, ensure that the thinner “light grey” foam is facing the shell. Once the foam is secured inside the cover, zip cover closed.

To clean back shell

Shell may be wiped clean with soap and water. No other maintenance should be required.

To clean positioning components

Positioning components can be wiped clean with soap and water. Do not immerse positioning components underwater. If you have any additional questions regarding cleaning procedures, please contact your authorized Sunrise Medical dealer.

Laundry Care Symbols	
	Machine wash in warm water (60° C)
	Only non-chlorine bleach, when needed
	Drip dry
	Do not iron
	Do not dry clean

DETERMINING COMPATIBILITY

Wheelchair Types

The J3 Carbon Back is designed to be compatible with most wheelchairs with the following exceptions: Wheelchairs that are angularly adjustable, recline or tilt and result in a back angle greater than 60 degrees from the vertical should not be used.



WARNING!

Use with these types of wheelchairs may cause the back to accidentally disconnect from the wheelchair resulting in a fall and the potential for serious injury.

Wheelchair Dimensions

The J3 Carbon Back is designed to replace the wheelchair's sling upholstery. Prior to installation determine if the wheelchair used has compatible back canes, by measuring the width between your back canes as seen in Figure 1. Then using that measurement, check Table 1, (Fixed Mount) or Table 2, (Quick Release), to determine if the back will fit your chair.

Next check that the back canes are a compatible diameter. The J3 Carbon Back hardware can be mounted on wheelchair back canes that measure in diameter 3/4" (19mm)(with insert), 7/8" (22mm)(with insert) or 1" (25mm) (no insert).

If you cannot determine that the back canes are compatible please contact your authorized Sunrise Medical provider or Sunrise Medical customer service.

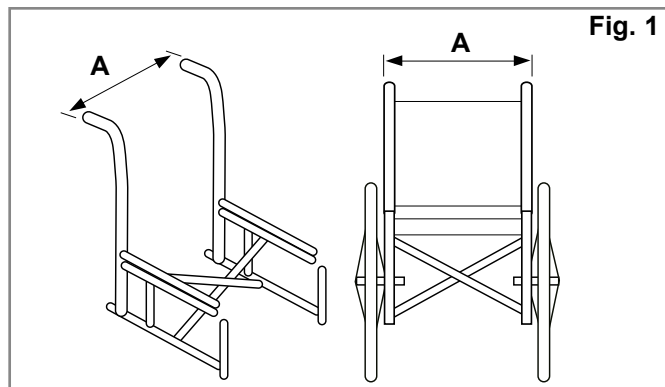


Fig. 1

Table 1

J3 CARBON BACK WIDTH Fixed Mount	Spacer	Width of back canes from outside to outside of the tubes, (Fig. 1-A)	
		Minimum Width	Maximum Width
32cm	NO	29cm	33cm
	YES	31cm	35cm
36cm	NO	34cm	38cm
	YES	36cm	40cm
41cm	NO	39cm	43cm
	YES	41cm	45cm
46cm	NO	44cm	48cm

Table 2

J3 CARBON BACK WIDTH Quick Release		Width of back canes from outside to outside of the tubes, (Fig. 1-A)	
		Minimum Width	Maximum Width
32cm		31cm	36cm
36cm		36cm	41cm
41cm		41cm	46cm
46cm		46cm	51cm

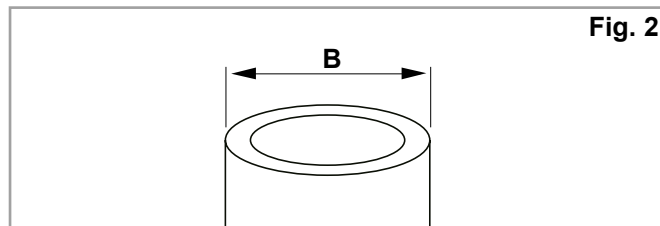


Fig. 2

Table 3

J3 Carbon Back Width	Cane Diameter (Fig.2)			
	Minimum Width		Maximum Width	
	Inch	cm	Inch	cm
12.6-18" (32-46 cm)	3/4	1.9	1.0	2.2

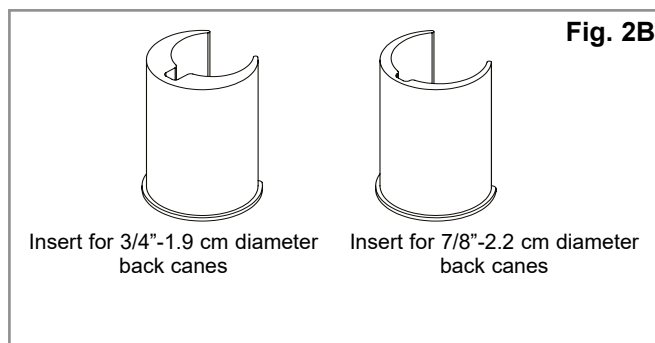


Fig. 2B

INSTALLING THE MOUNTING HARDWARE

Please read the following instructions before beginning installation.

To install the J3 Carbon Back, it is best to begin without a user in the wheelchair. Once the back has been installed and minor adjustments are needed the user can be seated back in the wheelchair.

Tools required (included with J3 Carbon Back)*

- 4 mm hex key, (only needed for the QR style)
- 10 mm Spanner.

NOTE: Wherever torque settings are specified, it is strongly recommended that a torque meter (not included with Jay3 Back) is used to verify correct torque specification is achieved.

Installation Instructions for the stationary mounting system, (Figs. 3, 4, 5).

1. Remove the existing wheelchair back according to the wheelchair manufacturer's instructions.

NOTE: If your wheelchair width is 34cm, 40cm or 44cm wide, you will need to install the Spacers provided with your back: See Instructions below:

2. Using the included 10mm box end wrench, Loosen, but do not remove Nuts (C) and Screws (B).
3. Using the 10mm box end wrench loosen and remove screw (A), Open hinge to allow placement around the wheelchair Back Cane Tube.
4. Position the mounting hardware at the desired height on the Wheelchair's back canes and then close hinge and tighten hinge screw (A). The mounting hardware should be at approximately equal heights on each back post. Higher locations are generally better.

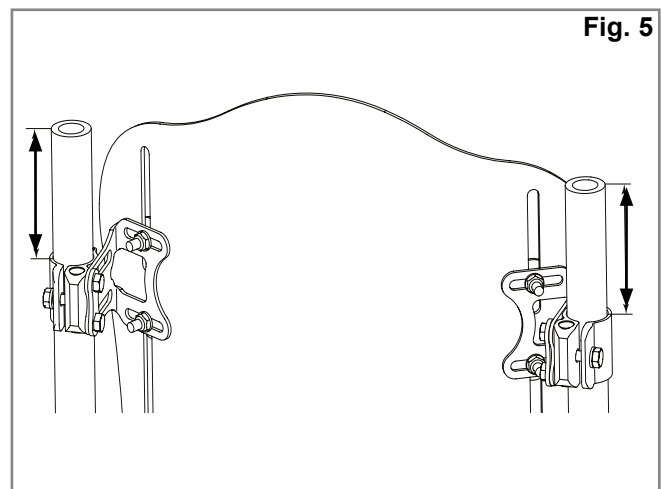
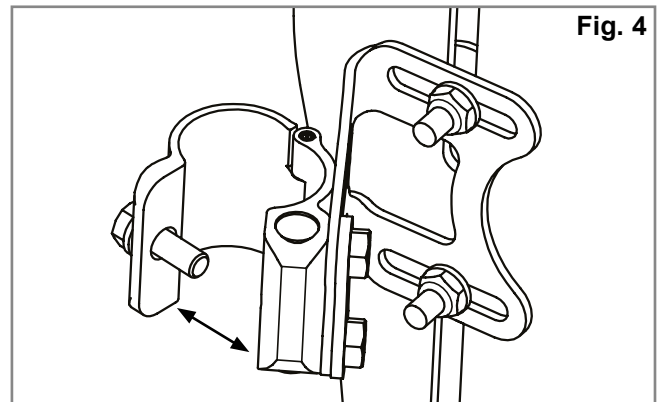
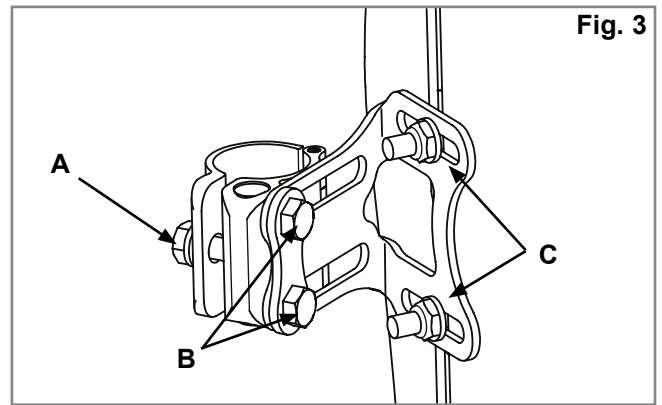
NOTE: for Back Cane tube diameters smaller than 25mm use the appropriate sized spacer.

5. Adjust the back to your desired position, depth, tilt and height and then tighten Screws (B) and Nuts (C).

Tighten all nuts and screws:

Recommended torque specifications:

- Screws (A) & (B): 11.3 – 12.4 Nm
- Nuts (C): 8.5 – 9.3 Nm.



SPACERKITINSTALLATIONINSTRUCTIONS:
(Fig. 6, 7).

NOTE: only needed for 34cm, 40cm & 44cm widths.

1. Remove the two (2) screws (B) that hold the Mounting Bracket to the Back Cane clamp assembly, (Fig.6).

NOTE: when you remove these screws, the barrel nuts will be loose. Be ready to catch them, so they do not fall to the floor.

2. Place the Spacer (D) between the Bracket and the clamp assembly.
3. Replace the Barrel Nuts if necessary and align holes to match up with the screws. Attach using the longer (M6 x 25) screws included in the kit.

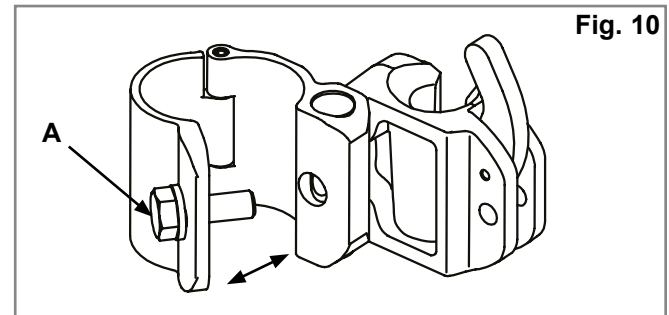
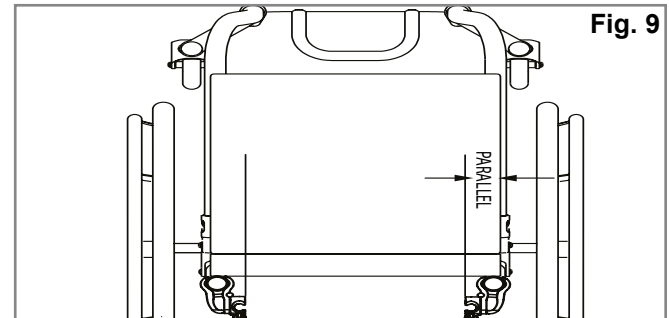
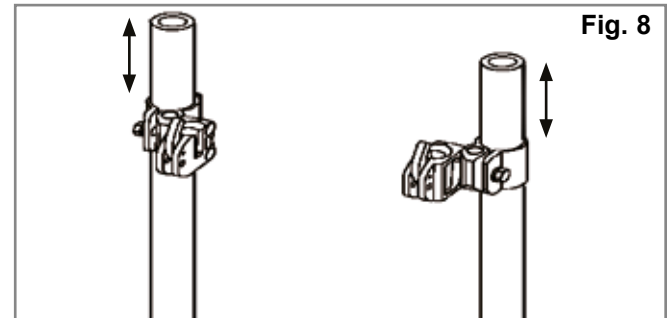
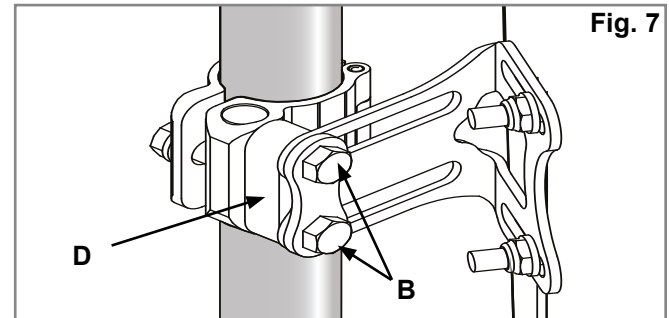
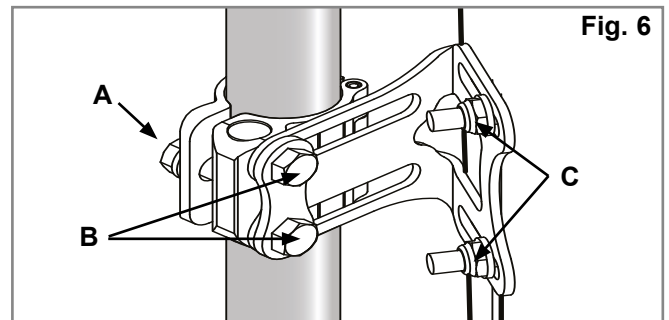
INSTALLATION INSTRUCTIONS FOR THE QUICK RELEASE MOUNTING SYSTEM
(Fig. 8, 9, 10,).

1. Remove the existing wheelchair back according to the wheelchair manufacturer's instructions.
2. Visually determine the desired location of the receivers on the wheelchair's back canes. The mounting hardware should be at approximately equal heights on each back post (Fig. 8) and parallel to the seat frame, (Fig.9). Higher locations on the back canes are generally better.
3. Attach the hardware receivers. (Fig. 10)
Using the 10mm box end wrench loosen and remove screw (A), Open hinge to allow placement around the wheelchair Back Cane Tube.

NOTE: for Back Cane tube diameters smaller than 25mm use the appropriate sized spacer.

- Attach and align receiver to the wheelchair back canes.
- Hand tighten clamp screws (A).

NOTE: Receivers may require additional lateral adjustment to ensure proper alignment.



ATTACHING AND ALIGNING THE BACK SHELL

(Fig.11, 12, 13).

- Using the 10mm wrench, loosen but do not remove the Mounting Pin Screws (B) and Bracket Nuts (C).
- Attach the J3 Carbon Back to the Mounting hardware by inserting the Receiver Pins into the Receivers, (Fig.12).
- Adjust the back to your desired position, (Fig.13), depth, tilt and height and then hand tighten Screws (B) and Nuts (C).

NOTE: Back depth and angle may require additional adjustment to ensure proper fit to the user.

- Test back release by pressing the release levers forward and removing the back off the chair. (See Removal and Replacement section for further details.) Proper alignment of the mounting hardware and back is achieved when smooth attachment and release can be easily done.
- If proper alignment has not been achieved, adjust the components until properly aligned.
- Once properly aligned, tighten all hardware.

NOTE: Tighten all nuts and screws only when the back is properly aligned:

Recommended torque specifications:

Screws (A) & (B): 11.3 – 12.4 Nm

Nuts (C): 8.5 – 9.3 Nm

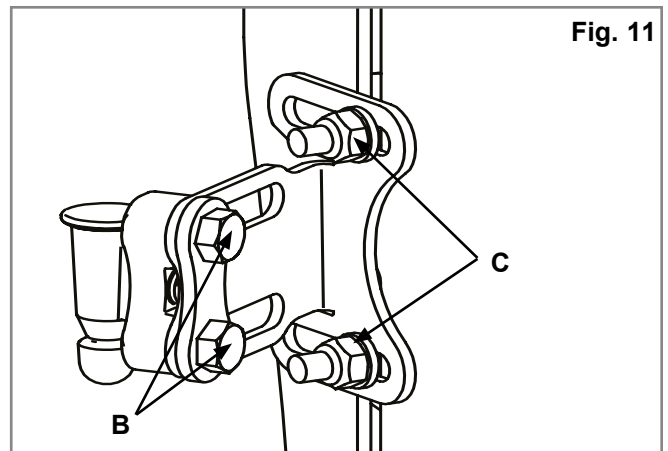


Fig. 11

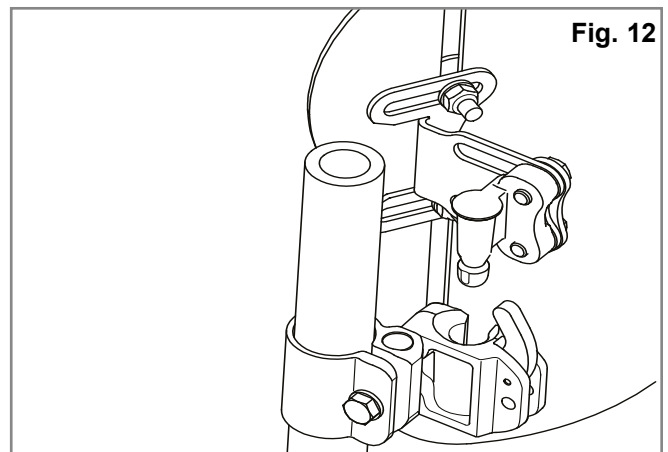


Fig. 12

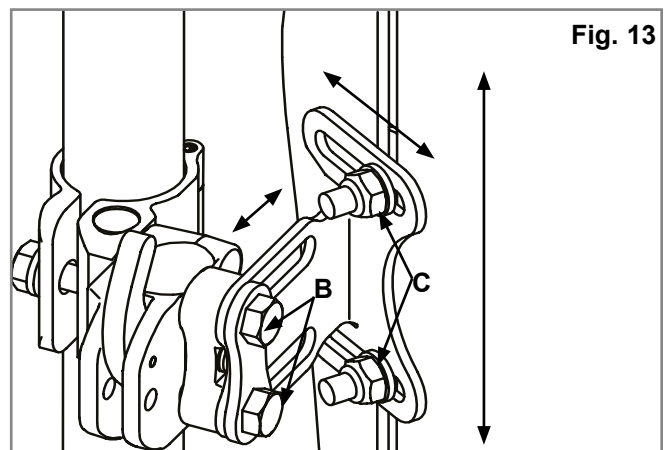


Fig. 13

ADJUSTING J3 HEIGHT, DEPTH AND ANGLE

The first phase of the J3 Carbon Back hardware installation is complete.

It is now the appropriate time to have the user seated back in the chair for personalizing the J3 Carbon Back. Do not have the user apply full pressure on the back as it is not fully tightened to the full torque requirements.

1. Height Adjustment (Fig. 14).

- With the user in the chair, identify the desired height of the back. Once identified, have the user remove pressure from the J3 Carbon Back by leaning or sliding partially forward if possible to allow the adjustment to take place.
- Loosen the bracket nuts (C) and adjust the height of the back shell to required position.
- Securely tighten the bracket nuts (C). The recommended torque specification is 75-85 in-lbs. (8.5 - 9.3 Nm).

NOTE: After height adjustment is complete, check that the width was not inadvertently changed.

2. Depth/Angle Adjustment (Figs. 11, 12, 13 & 14).

Please note there are two types of hardware that can be ordered– stationary hardware (Fig. 15) or quick release hardware (Fig. 16). Both sets of hardware are adjusted the same, but the stationary hardware allows for 1.6 inches (4 cm) of depth adjustment (Fig. 15) while the quick release hardware (removable hardware) allows for a total of 1.1 inches (2.9 cm) of depth adjustability (Fig. 16).

- To adjust J3 Carbon Back depth and angle loosen left and right screws(B)-(Fig. 16) on bracket slots.
- Adjust depth and/or angle and securely tighten. The recommended torque specification is 100 -110 in-lbs. (11.3-12.4 Nm). Ensure that none of the depth adjustment screws (Fig 16), (B), will slip or rotate.

NOTE: Prior to replacing the screws the application of a suitable medium strength threadlocker e.g. loctite 243 is strongly recommended to the receiver and screw threads, if the back is to be repositioned.

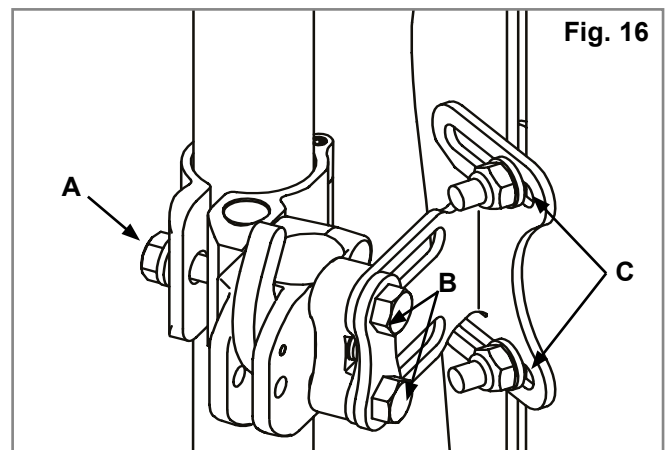
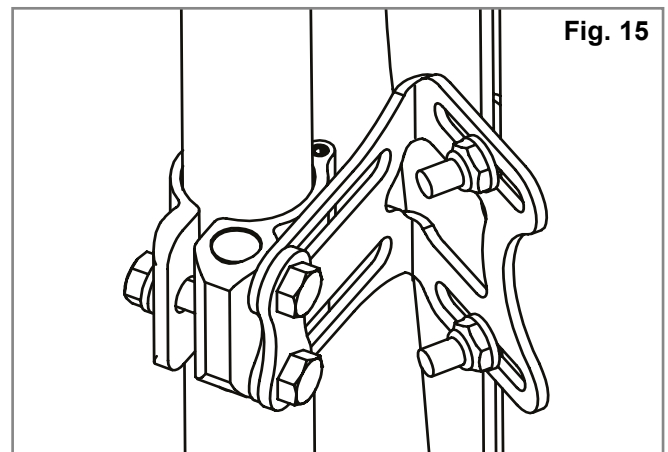
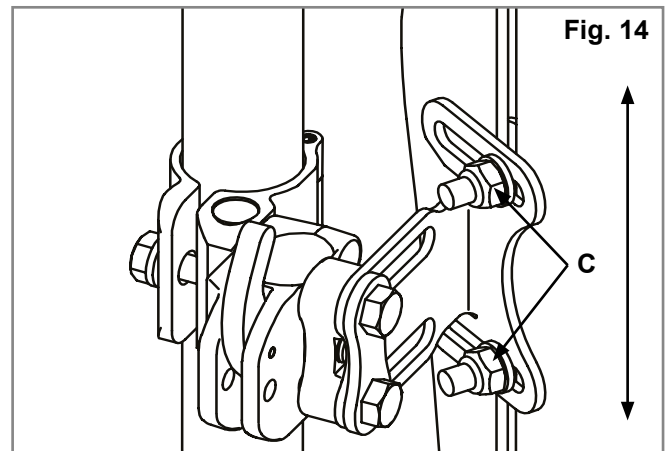
Recommended torque specifications:

Screws (A) & (B): 11.3 – 12.4 Nm

Nuts (C): 8.5 – 9.3 Nm

WARNING!

Ensure that all hardware has been properly tightened once all adjustments have been completed and the J3 Carbon Back is ready for use.



REMOVAL AND REPLACEMENT

Removal – quick release hardware

Following installation and adjustment, the back can be easily removed from the wheelchair if necessary. To remove, push each release lever forward to unlock, (Fig. 17). Once both levers are in the forward position, simply lift the back straight up, (Fig. 18), using the handle located on the top of the back.

Proper reattachment after removal

To reattach the back to the hardware receivers, simply line up the pins to the receivers and push into place. If properly inserted the pins will “click” to a locked position, (Fig. 19-20).

WARNING!

If you are uncertain if you have heard the locking “click”, pull up on the back using the handle to ensure that it has been securely locked.

Removal – stationary hardware

If your J3 Carbon Backrest has a stationary hardware, follow the steps below to remove it from the wheelchair:

1. Loosen and remove the Hinge Screw(A) from the left and right clamp using 10mm wrench.
2. Open the Hinge and detach the J3 Carbon Back, (Fig.21).

Proper reattachment after removal To reattach the back, follow the installation instructions described in this manual (page 9).

Fig. 18

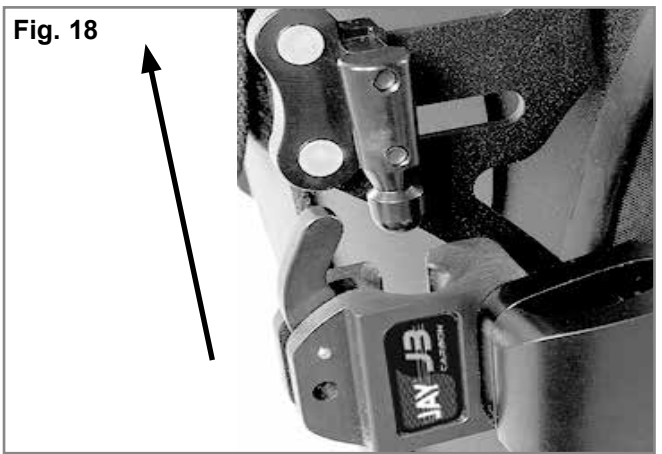


Fig. 19

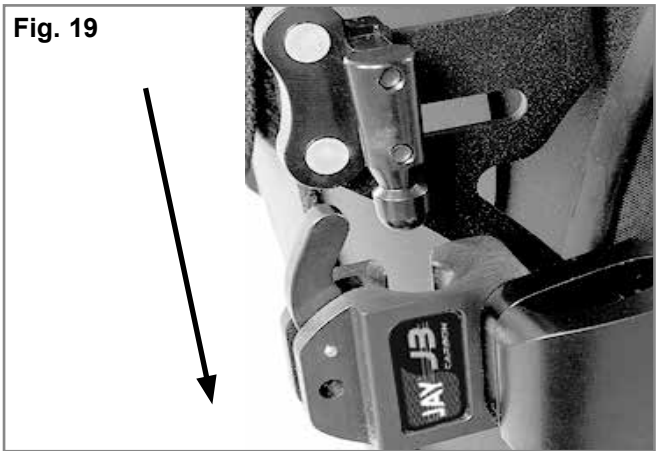


Fig. 20

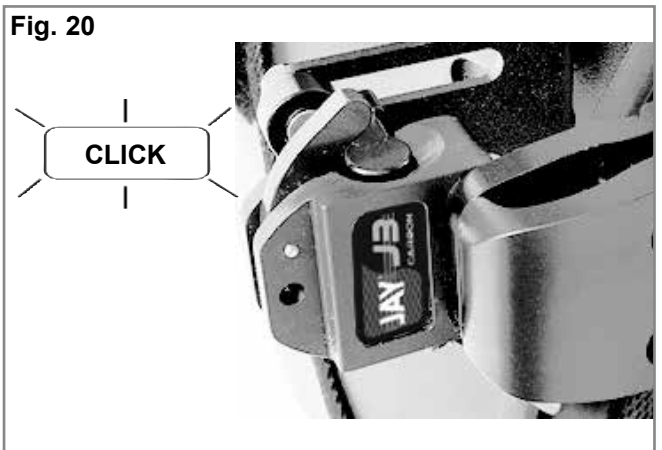
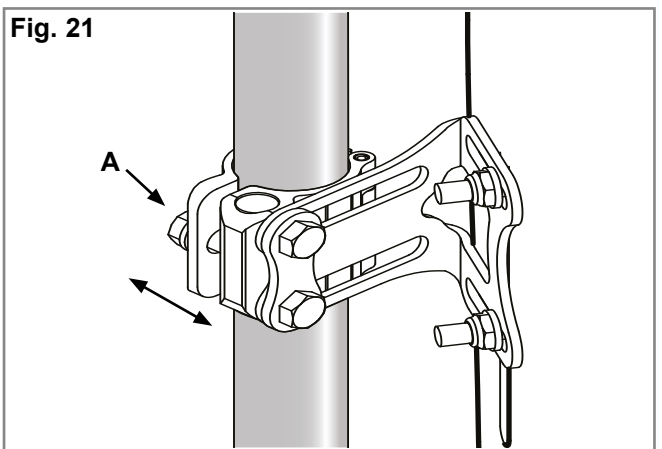


Fig. 17



Fig. 21



VANITY FLAP INSTALLATION

1. Lift upper flap of J3 Carbon Back Cover (Fig. 22)
2. Match hook to loop and attach Vanity Flap to the back of the J3 Carbon Back Cover (Fig. 23). Reposition upper flap of cover to sandwich the Vanity Flap between the upper and lower flaps (Fig. 24).
3. Remove Seat Back from wheelchair and sandwich "tail" of Vanity Flap between wheelchair support surface and Seat Back (Fig 25).
4. Adjust Vanity Flap as necessary by moving the tail in or out from under the Seat Back. If necessary the upper part of the vanity flap can be moved up or down on the Seat Back also.
5. Insert Hook & Loop Wrap ties through the appropriate grommets on the Vanity Flap, then wrap around the wheelchair frame and insert the leading end through the slot end of the Wrap (Fig. 26-27). Snug up and close outside gaps in Vanity Flap (Fig. 28).

Fig. 24



Fig. 25



Fig. 26



Fig. 27



Fig. 22



Fig. 23



Fig. 28



CONTRINDICATIONS **WARNING!**

Do not use or prescribe this backrest for anyone exceeding the stated Maximum User weight.

RECYCLING / RE-USE: **WARNING!**

Risk of Injury.

Always have an authorized Sunrise Medical dealer inspect the product for damage or wear prior to transferring it to another user. If any type of damage is found, **DO NOT USE THIS PRODUCT.**

Failure to heed these warnings may lead to severe injury.

This Product is suitable for re-use*:

Have an authorized Sunrise Medical dealer inspect the shell, mounting hardware, foam and cover for damage or wear. If any damage is found, do not re-use.

Clean and disinfect the shell, mounting hardware foam and cover in accordance with local government regulations. Refer to your local Infection Control Office for advice.

After cleaning and disinfection, have an authorised Sunrise Medical dealer inspect the shell, hardware, foam and cover to insure that the cleaning/disinfection process did not cause any damage.

24 MONTH LIMITED WARRANTY

Each Jay J3 Carbon Back is carefully inspected and tested to provide peak performance. Every Jay J3 Carbon Back is guaranteed to be free from defects in materials and workmanship for a period of 24 months from the date of purchase, provided normal use. Should a defect in materials or workmanship occur within 24 months from the original date of purchase, Sunrise Medical will, at its option, repair or replace it without charge.

This warranty does not apply to punctures, tears or burns, nor to the back's removable cover.

Claims and repairs should be processed through the nearest authorised supplier. Except for express warranties made herein, all other warranties, including implied warranties of merchantability and warranties of fitness for a particular purpose are excluded. There are not warranties which extend beyond the description on the face hereof. Remedies for breach of express warranties herein are limited to repair or replacement of the goods. In no event shall damages for breach of any warranty include any consequential damages or exceed the cost of non-conforming goods sold.

Sunrise Medical empfiehlt, dass ein Arzt oder ein im Bereich Sitzen & Positionieren erfahrener Therapeut konsultiert wird, um festzustellen, ob der J3 Carbon Rücken im Einzelfall geeignet ist.

WARNUNG!

Der Rücken sollte ausschließlich montiert werden von:

- Autorisierten Sunrise Medical Fachhändlern.
- Qualifizierten und kompetenten Medizinprodukte-Beratern, die an zertifizierten Schulungen durch Sunrise Medical oder dessen autorisierten Fachhändlern teilgenommen haben.

DIE BESTIMMUNGSGEMÄSSE VERWENDUNG DES JAY J3 CARBON RÜCKENS

Der Jay J3 Carbon Rücken wurde als Rückenstütze für die vielen verschiedenen Anforderungen von Rollstuhlbenutzern entwickelt. Er ist für eine einfache, komfortable und effektive Unterstützung für maximale Funktion und erhöhte Sitztoleranz ausgelegt. Dazu ist er leicht, langlebig und einfach zu bedienen.

Der Rücken kann an viele verschiedene Rollstühle montiert werden.

Maximales Körpergewicht des Fahrers: 125 kg.

Die vorgesehene Lebensdauer des Rückens beträgt 2 Jahre.

WARNUNG!

Durch die Montage einer Rückenstütze an einem Rollstuhl kann sich der Schwerpunkt des Rollstuhls verlagern. Das kann dazu führen, dass der Rollstuhl nach hinten kippt, was Verletzungen nach ziehen kann.

Beurteilen Sie in jedem Fall, ob Sicherheitsräder oder Radstandsverlängerungen am Rollstuhl angebracht werden müssen, um die Stabilität zu erhöhen.

WARNUNG!

Schieben oder heben Sie den Rollstuhl nicht am J3 Carbon Rücken. Der unsachgemäße Gebrauch kann dazu führen, dass sich der Rücken unerwartet vom Rollstuhl löst.

WARNUNG!

Verwenden Sie den Griff des J3 Carbon Rückens nicht zum Anheben des Rollstuhls. Er ist nur zum Abnehmen des Rückens bestimmt.

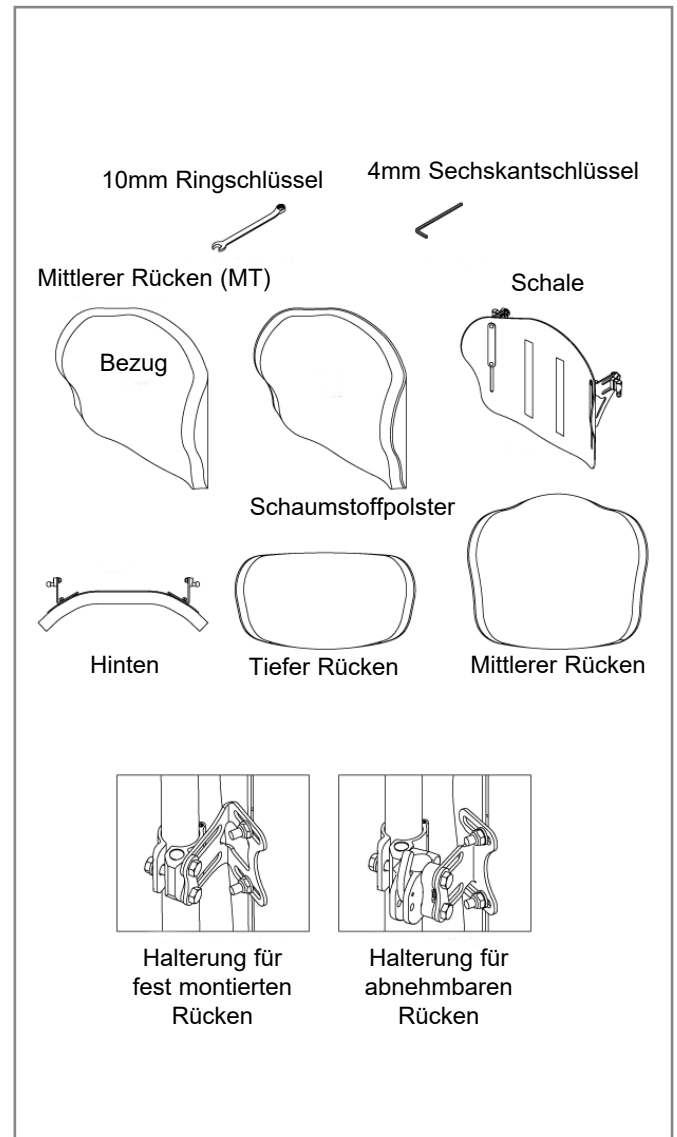
WARNUNG!

Unachtsamkeit kann Brände verursachen.

WARNUNG!

Bitte lesen Sie vor Gebrauch diese Bedienungsanleitung.

J3 CARBON RÜCKEN



WARTUNG

Sunrise Medical empfiehlt, alle Verbindungselemente alle 6 Monate auf Abnutzungserscheinungen wie z.B. lose Schrauben oder defekte Bauteile, zu überprüfen. Lose Verbindungselemente sollten gemäß der Montageanleitung wieder festgezogen werden. Sämtliche Halterungen müssen gemäß den entsprechenden Angaben mit dem richtigen Drehmoment angezogen werden. Wenden Sie sich zum Auswechseln von defekten Bauteilen sofort an Ihren autorisierten Sunrise Medical Händler. Wenn lose oder defekte Bauteile festgestellt wurden, das System nicht weiter verwenden.

EINFACHE REINIGUNG

HINWEIS: Wenn Sie den Rücken zur Reinigung abnehmen, merken Sie sich die Position der Positionierungskomponenten, um die Rückenstütze später wieder richtig anzubringen.

Reinigung des Rückenbezugs

Entfernen Sie den Bezug, indem Sie den Klettverschluss öffnen und ziehen Sie ihn von der Rückenschale. Öffnen Sie den Reißverschluss unten am Bezug. Nehmen Sie den Schaumstoff heraus und drehen Sie den Bezug auf links. Ziehen Sie den Reißverschluss zu, damit nichts hängen bleiben kann. Normalwaschgang (60° C) Nass aufhängen oder auf niedriger Stufe im Trockner trocknen.

HINWEIS: Die Bezüge dürfen nicht chemisch gereinigt oder in einer gewerblichen Waschmaschine gewaschen oder getrocknet werden. Nicht im Autoklav reinigen. Nicht bleichen.

Setzen Sie den Schaumstoff wieder in den Bezug ein. Bitte beachten Sie: die Unterlage besteht aus zwei Schaumstoffschichten. Achten Sie beim Einsetzen des Schaumstoffs darauf, dass der dünnere, "hellgraue" Schaumstoff zur Schale zeigt. Wenn sich der Schaumstoff wieder im Bezug befindet, schließen Sie den Reißverschluss.






Reinigung der Rückenschale

Die Schale kann mit Wasser und Seife gereinigt werden. Es ist sonst keine Wartung erforderlich.

Reinigung der Haltevorrichtungen

Haltevorrichtungen können mit Wasser und Seife gereinigt werden. Tauchen Sie die Haltevorrichtungen nicht ins Wasser.

Falls Sie weitere Fragen zur Reinigung haben, wenden Sie sich bitte an Ihren Sunrise Medical Fachhändler.

Reinigungssymbole	
	Normalwaschgang (60° C)
	Nur chlorfreie Bleichmittel, bei Bedarf
	Nass aufhängen
	Nicht bügeln
	Nicht für den Trockner geeignet

BESTIMMEN DER KOMPATIBILITÄT

Rollstuhltypen

Der J3 Carbon Rücken ist so ausgelegt, dass er mit den meisten Arten von Rollstühlen kompatibel ist mit folgenden Ausnahmen:

Für Rollstühle, bei denen der Rückenwinkel und die Sitzneigung so verstellt werden kann, dass der Rückenwinkel über 60 Grad zur Senkrechten beträgt, sollte dieser nicht verwendet werden.

WARNUNG!

Bei Verwendung mit diesen Arten von Rollstühlen kann sich der Rücken unabsichtlich vom Rollstuhl lösen, was zu Stürzen und unter Umständen zu schweren Verletzungen führen kann.

Maße des Rollstuhls

Der J3 Carbon Rücken ist so ausgelegt, dass er die Rückenbespannung des Rollstuhls ersetzt. Versichern Sie sich vor der Installation des Rückens, ob der Rollstuhl über verstellbare Schiebegriffe verfügt. Messen Sie dazu die Breite zwischen Ihren Rückenrohren, wie in Fig. 1 gezeigt. Überprüfen Sie dann anhand dieser Maße in Tabelle 1 (Halterung für fest montierten Rücken) oder Tabelle 2 (Halterung für abnehmbaren Rücken), ob der Rücken auf Ihren Rollstuhl passt.

Als nächstes überprüfen Sie, dass der Durchmesser der Rückenrohre kompatibel ist.

Die Halterung des J3 Carbon Rückens kann an Rückenrohre von Rollstühlen mit einem Durchmesser von 3/4" (19 mm) (mit Einsatz), 7/8" (22 mm) oder 1" (25 mm) (ohne Einsatz) montiert werden.

Wenn Sie nicht feststellen können, ob die Rückenrohre kompatibel sind, wenden Sie sich an Ihren autorisierten Sunrise Medical Händler oder den Kundenservice von Sunrise Medical.

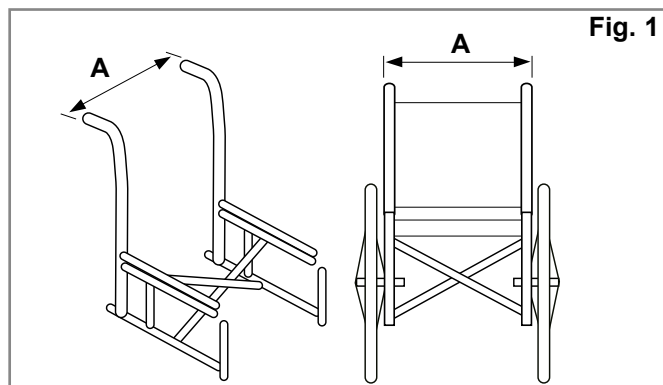


Fig. 1

Tabelle 1

BREITE J3 CARBON RÜCKEN Halterung für fest montierten Rücken	Distanzstück	Breite der Rückenrohre von Außenseite zu Außenseite der Rohre (Bild 1-A)	
		Mindestbreite	Maximale Breite
32 cm	NEIN	29 cm	33 cm
	JA	31 cm	35 cm
36 cm	NEIN	34 cm	38 cm
	JA	36 cm	40 cm
41 cm	NEIN	39 cm	43 cm
	JA	41 cm	45 cm
46 cm	NEIN	44 cm	48 cm

Tabelle 2

BREITE J3 CARBON RÜCKEN Halterung für abnehmbaren Rücken	Breite der Rückenrohre von Außenseite zu Außenseite der Rohre (Bild 1-A)	
	Mindestbreite	Maximale Breite
32 cm	31 cm	36 cm
36 cm	36 cm	41 cm
41 cm	41 cm	46 cm
46 cm	46 cm	51 cm

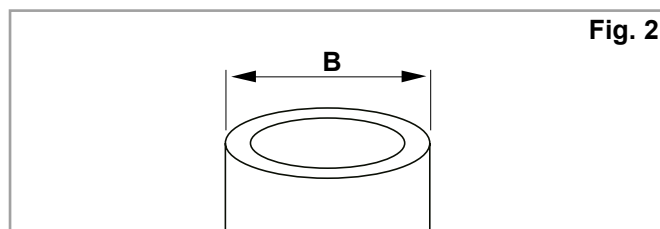


Fig. 2

Tabelle 3

Breite J3 Carbon Rücken	Rückenrohrdurchmesser (Fig. 2)			
	Mindestbreite Zoll	cm	Maximale Breite Zoll	cm
12,6-18" (32-46 cm)	3/4	1,9	1,0	2,2

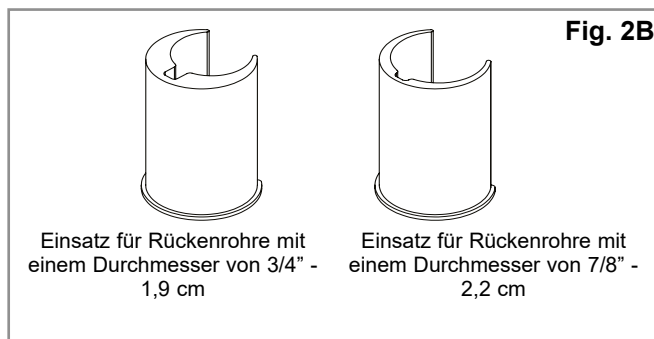


Fig. 2B

ANBRINGEN DER HALTERUNGEN

Bitte lesen Sie folgende Anweisungen gründlich durch, bevor Sie mit dem Einbau beginnen.

Während des Einbaus des J3 Carbon Rückens sollte sich niemand im Rollstuhl befinden. Nachdem der Rücken angebracht ist, kann der Nutzer wieder im Rollstuhl Platz nehmen, um kleinere Anpassungen vornehmen zu können. Benötigtes Werkzeug (wird mit dem J3 Carbon Rücken mitgeliefert)*

- 4 mm Sechskantschlüssel (wird nur für die Halterung für abnehmbaren Rücken benötigt)
- 10 mm Schraubenschlüssel.

HINWEIS: Wenn Drehmomente angegeben werden, empfehlen wir, ein Drehmomentprüfgerät zu verwenden (wird nicht mit dem Jay3 Rücken mitgeliefert), damit das richtige Drehmoment erzielt wird.

Montageanleitung für das Halterungssystem für fest montierten Rücken (Fig. 3, 4, 5).

1. Entfernen Sie den vorhandenen Rücken gemäß den Herstelleranweisungen.

HINWEIS: Wenn die Breite Ihres Rollstuhls 34 cm, 40 cm oder 44 cm beträgt, müssen die mit Ihrem Rücken mitgelieferten Distanzstücke montiert werden: Siehe die Anleitung unten:

2. Lockern Sie die Muttern (C) und Schrauben (B) mit dem mitgelieferten 10 mm Ringschlüssel, aber nehmen Sie sie nicht ab.
3. Nehmen Sie die Schraube (A) mit dem 10 mm Ringschlüssel ab und öffnen Sie das Gelenk, um die Positionierung um das Rückenrohr des Rollstuhls zu ermöglichen.
4. Bringen Sie die Halterungen am Rückenrohr des Rollstuhls auf der gewünschten Höhe an, schließen Sie das Gelenk und ziehen Sie die Schraube am Gelenk (A) wieder an. Die Halterungen sollten sich an beiden Seiten etwa auf gleicher Höhe befinden. Eine Position weiter oben ist in der Regel vorteilhafter.

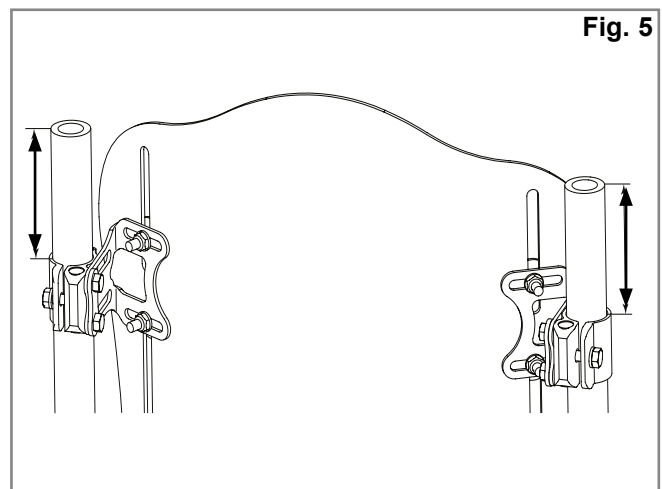
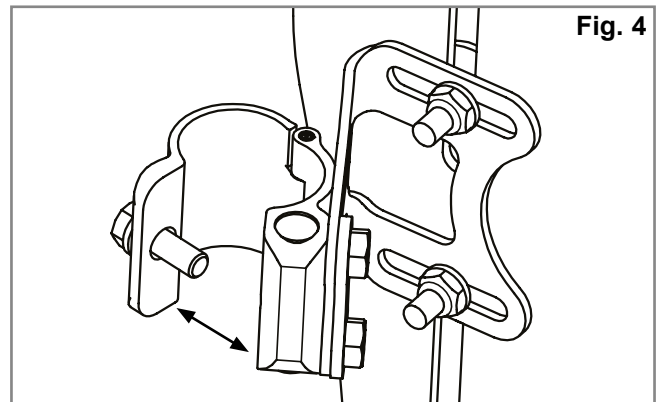
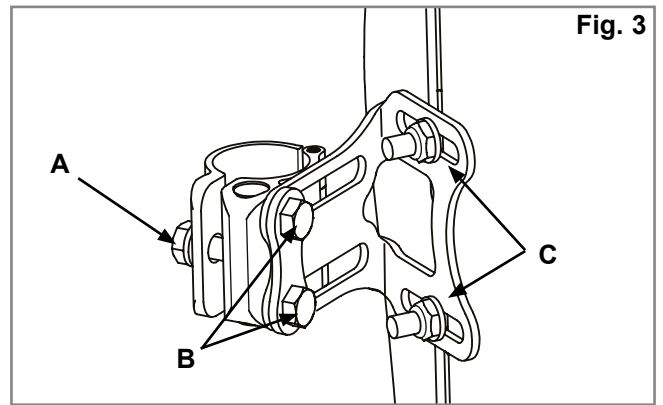
HINWEIS: Bei Rückenrohren mit einem Durchmesser unter 25 mm das entsprechende Distanzstück verwenden.

5. Stellen Sie den Rücken auf die gewünschte Position, Tiefe, Sitzneigung und Höhe ein und ziehen Sie dann die Schrauben (B) und Muttern (C) an.

Alle Schrauben und Muttern anziehen:

Empfohlene Drehmomente:

- Schrauben (A) und (B): 11,3 - 12,4 Nm
- Muttern (C): 8,5 – 9,3 Nm



MONTAGEANLEITUNG FÜR DISTANZSTÜCK-KIT: (Fig. 6, 7).

HINWEIS: Wird nur für die Breiten 34 cm, 40 cm und 44 cm benötigt.

1. Nehmen Sie die zwei (2) Schrauben (B) ab, mit denen die Halterung an der Klemmvorrichtung am Rückenrohr befestigt ist (Fig. 6).

HINWEIS: Wenn diese Schrauben abgenommen werden, werden die Zylindermuttern gelockert. Bereiten Sie sich darauf vor, die Muttern aufzufangen, damit sie nicht auf den Boden fallen.

2. Legen Sie das Distanzstück (D) zwischen die Halterung und die Klemmvorrichtung.
3. Falls erforderlich, bringen Sie die Zylindermuttern wieder an und richten Sie die Löcher mit den Schrauben aus. Befestigen Sie sie mit den längeren Schrauben (M6 x 25) aus dem Kit.

MONTAGEANLEITUNG FÜR DAS HALTERUNGSSYSTEM FÜR ABNEHMBAREN RÜCKEN

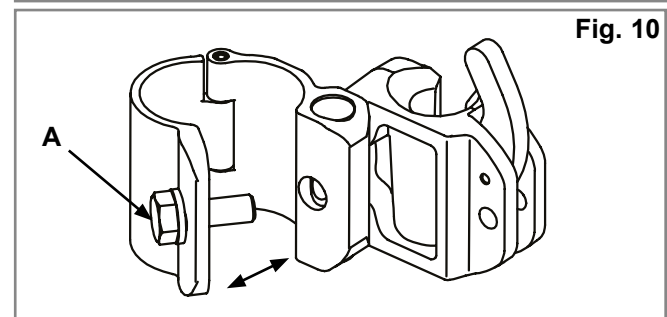
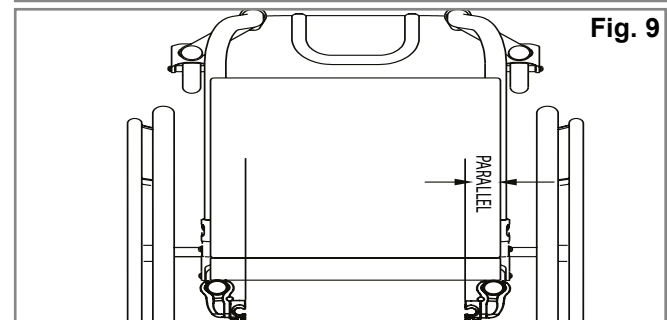
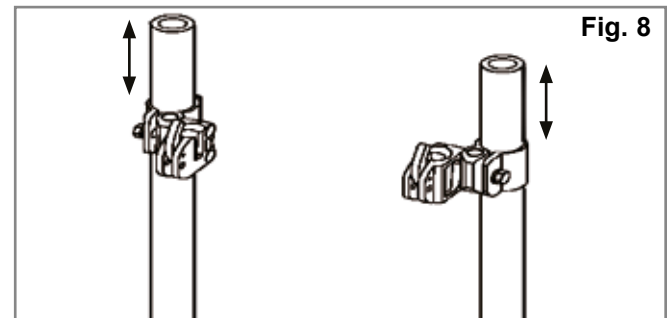
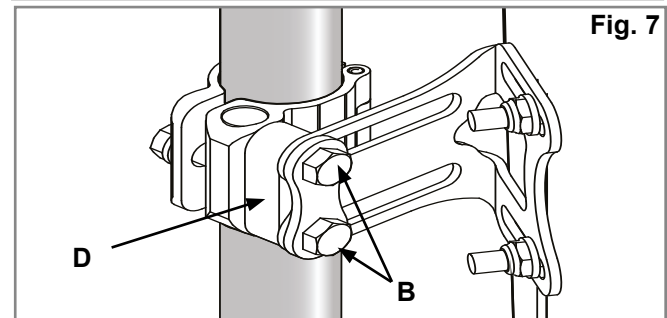
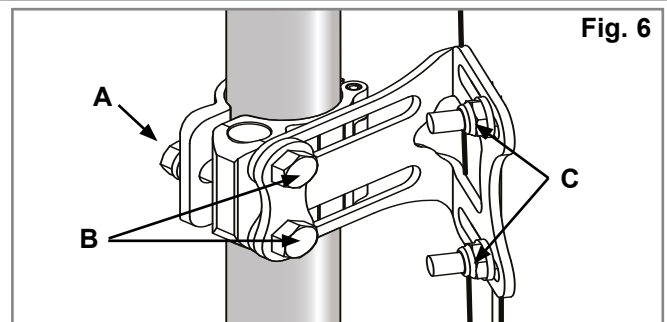
(Fig. 8, 9, 10,).

1. Entfernen Sie die vorhandenen Rücken gemäß den Herstelleranweisungen.
2. Legen Sie die Position der Aufnahmen für den Rücken an den Rückenrohren fest. Sie sollten sich an beiden Seiten auf gleicher Höhe befinden (Fig. 8) und parallel zum Sitzrahmen (Fig. 9) sein. Eine Position weiter oben an den Rückenrohren ist in der Regel vorteilhafter.
3. Bringen Sie die Halterungen an. (Fig. 10)
Nehmen Sie die Schraube (A) mit dem 10 mm Ringschlüssel ab und öffnen Sie das Gelenk, um die Positionierung um das Rückenrohr des Rollstuhls zu ermöglichen.

HINWEIS: Bei Rückenrohren mit einem Durchmesser unter 25 mm das entsprechende Distanzstück verwenden.

- Bringen Sie die Halterungen an den Rückenrohren an und richten Sie diese aus.
- Ziehen Sie die Klemmschrauben (A) nach.

HINWEIS: Die Aufnahmen müssen unter Umständen noch einmal seitlich verschoben werden, damit sie richtig ausgerichtet sind.



BEFESTIGEN UND AUSRICHTEN DER RÜCKENSCHALE

(Fig. 11, 12, 13).

- Lockern Sie die Schrauben des Befestigungsstifts (B) und die Muttern der Halteplatte (C) mit dem mitgelieferten 10 mm Ringschlüssel, aber nehmen Sie sie nicht ab.
- Befestigen Sie den J3 Carbon Rücken an der Halterung, indem Sie die Aufnahmestifte in die Aufnahmen einstecken (Fig. 12).
- Stellen Sie den Rücken auf die gewünschte Position (Fig. 13), Tiefe, Sitzneigung und Höhe ein und ziehen Sie dann die Schrauben (B) und Muttern (C) von Hand an.

HINWEIS: Möglicherweise muss der Rücken noch an die Bedürfnisse des Benutzers angepasst werden.

- Überprüfen Sie die Rückenentriegelung, indem Sie die Verschlusshebel nach vorn drücken und den Rücken vom Stuhl ziehen. (Weitere Informationen finden Sie im Abschnitt Entfernen und Austausch.) Die Halterungen sind richtig positioniert, wenn sich der Rücken leicht ein- und aushängen lässt.
- Wenn er sich nicht leicht einhängen lässt, bringen Sie die Teile in die richtige Position.
- Wenn alles richtig positioniert ist, ziehen Sie alle Schrauben und Muttern an.

HINWEIS: Ziehen Sie alle Schrauben und Muttern nur an, wenn der Rücken richtig ausgerichtet ist:

Empfohlene Drehmomente:
Schrauben (A) und (B): 11,3 - 12,4 Nm
Muttern (C): 8,5 – 9,3 Nm

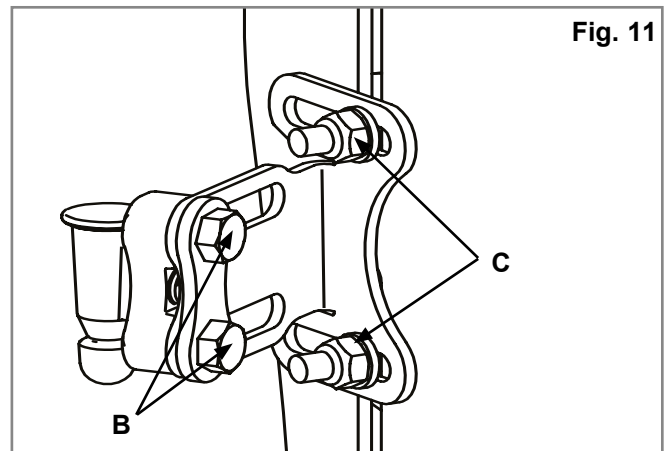


Fig. 11

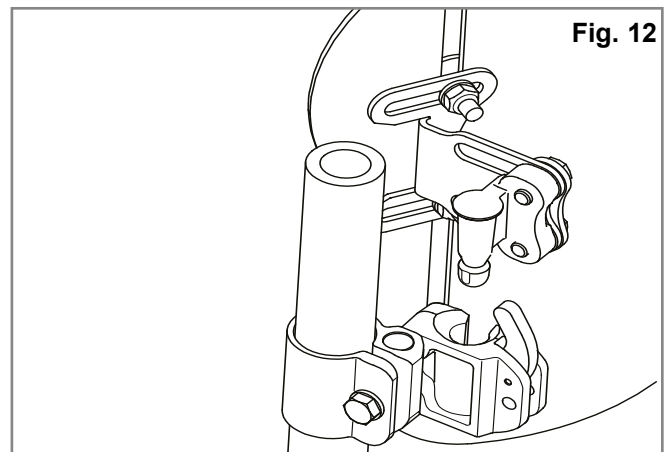


Fig. 12

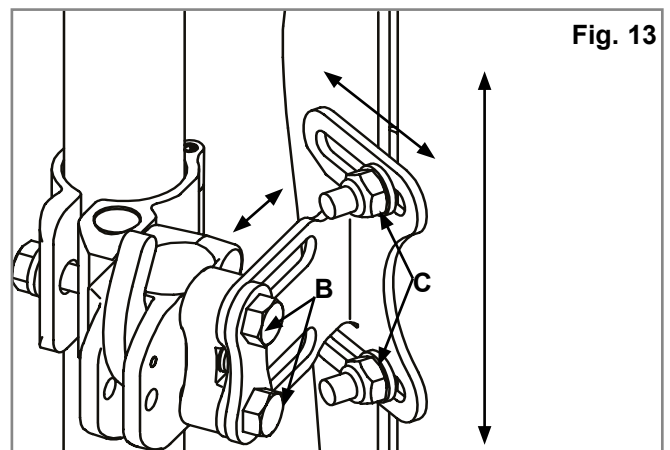


Fig. 13

HÖHE, TIEFE UND WINKEL DES J3 RÜCKENS EINSTELLEN

Der erste Teil der Montage der J3 Carbon Rückens-Halterungen ist nun beendet.

Nun sollte der Benutzer wieder im Rollstuhl Platz nehmen, damit der J3 Rücken auf seine Bedürfnisse eingestellt werden kann. Achten Sie darauf, dass sich der Benutzer nicht anlehnt, da der Rücken noch nicht richtig befestigt ist.

1. Höheneinstellung (Fig. 14).

- Bringen Sie den Rücken auf die gewünschte Höhe, während sich der Benutzer im Rollstuhl befindet. Der Benutzer sollte nun den Druck von dem J3 Carbon Rücken nehmen, indem er sich etwas nach vorn beugt, damit der Rücken eingestellt werden kann.
- Lösen Sie die Muttern (C) und stellen Sie den Rücken auf die gewünschte Höhe ein.
- Ziehen Sie die Muttern (C) fest an. Das empfohlene Drehmoment beträgt 75 - 85 in-lbs. (8,5 - 9,3 Nm).

HINWEIS:Überprüfen Sie nach der Höheneinstellung, dass die Breite nicht versehentlich verstellt wurde.

2. Tiefen-/Winkleinstellung (Fig. 11, 12, 13 & 14).

Bitte beachten Sie, dass zwei Arten von Halterungen erhältlich sind – die Halterung für fest montierten Rücken (Fig. 15) oder die Halterung für abnehmbaren Rücken (Fig. 16). Beide Varianten der Halterung werden auf die gleiche Art eingestellt, doch bei der Halterung für fest montierten Rücken kann die Tiefe um 1,6 Zoll (4 cm) (Fig. 15) verstellt werden, während die Halterung für abnehmbaren Rücken eine Tiefenverstellung von insgesamt 1,1 Zoll (2,9 cm) ermöglicht (Fig. 16).

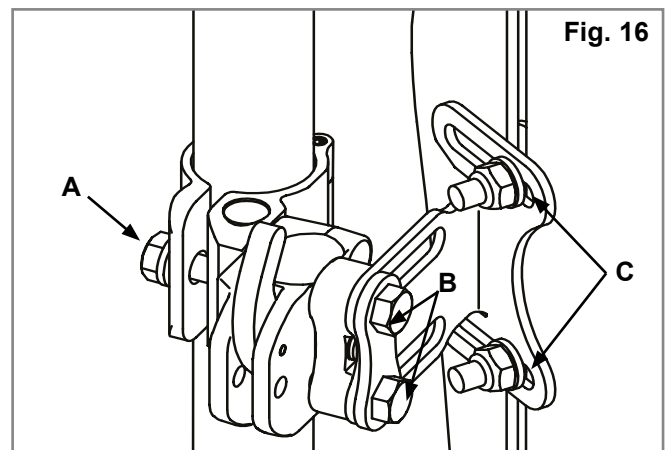
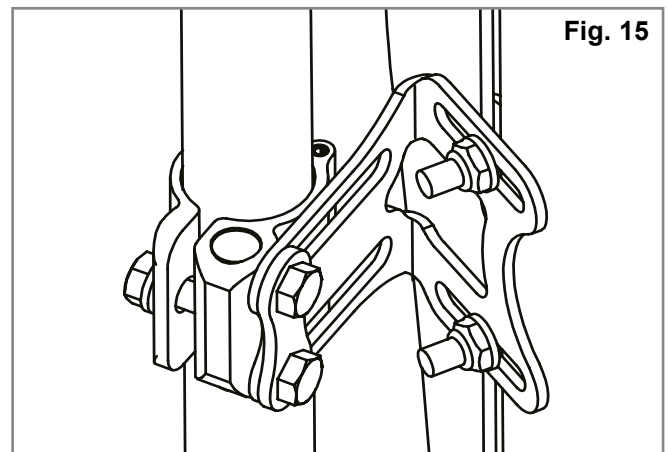
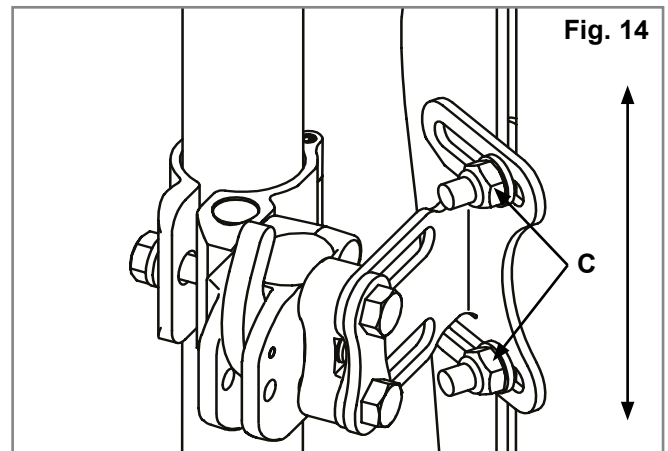
- Zum Verstellen von Tiefe und Winkel des J3 Carbon Rückens die linke und rechte Schraube (B)-(Fig. 16) in der Halterung lockern.
- Ziehen Sie nach Einstellung der Tiefe und des Winkels die Muttern fest an. Das empfohlene Drehmoment beträgt 100 - 110 in/lbs. (11,3 - 12,4 Nm). Achten Sie darauf, dass keine der Tiefenverstellungsschrauben (B) rutscht oder sich dreht (Fig. 16).

HINWEIS:Bevor Sie die Schrauben wieder einsetzen, empfehlen wir, eine geeignete mittelstarke Schraubensicherung wie etwa Loctite 243 auf die Gewinde der Aufnahme und der Schrauben aufzubringen, wenn der Rücken wieder angebracht werden soll.

Empfohlene Drehmomente:
Schrauben (A) und (B): 11,3 - 12,4 Nm
Muttern (C): 8,5 - 9,3 Nm

WARNUNG!

Achten Sie darauf, dass alle Halterungen nach Beendigung der Einstellung wieder fest angezogen sind und der J3 Carbon Rücken einsatzbereit ist.



ABNEHMEN UND AUSWECHSELN

Abnehmen – Halterung für abnehmbaren Rücken

Nach Einbau und Einstellen kann der Rücken bei Bedarf leicht vom Rollstuhl abgenommen werden. Drücken Sie zum Abnehmen beide Entriegelungshebel nach vorne, um sie zu entriegeln, (Fig. 17). Wenn beide Hebel nach vorne gestellt sind, heben Sie den Rücken mit Hilfe des Griffs oben am Rücken einfach gerade nach oben ab (Fig. 18).

Ordnungsgemäßes Anbringen nach dem Abnehmen

Um den Rücken wieder an den Halterungen zu befestigen, bringen Sie die Stifte einfach in die richtige Position. Wenn sie richtig eingestellt sind, rasten sie mit einem Klickgeräusch hörbar ein (Fig. 19-20).

WARNUNG!

Wenn Sie sich nicht sicher sind, ob Sie den Einrastton gehört haben, ziehen Sie den Rücken am Griff nach oben, um zu überprüfen, ob er fest eingerastet ist.

Abnehmen – Halterung für fest montierten Rücken

Wenn Ihr J3 Carbon Rücken über eine feste Halterung verfügt, führen Sie zum Abnehmen vom Rollstuhl die folgenden Schritte durch:

1. Lösen Sie die Schraube am Gelenk (A) mit einem 10 mm Schraubenschlüssel von der linken und rechten Klemme.
 2. Öffnen Sie das Gelenk und lösen Sie den J3 Carbon Rücken (Fig. 21).
- Ordnungsgemäßes Anbringen nach dem Abnehmen:
Zum Wiederanbringen des Rückens wie in der Montageanleitung in diesem Handbuch beschrieben vorgehen (Seite 9).

Fig. 18

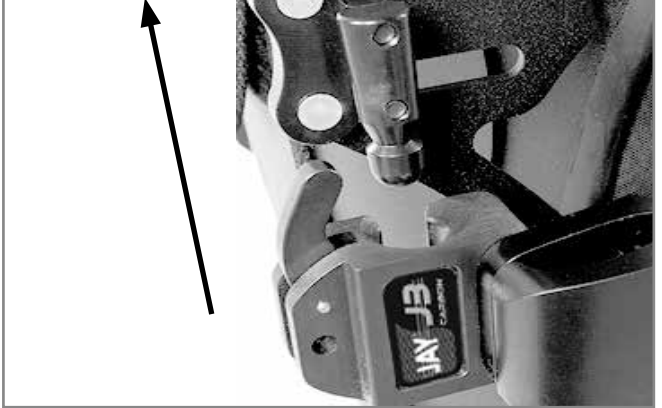


Fig. 19

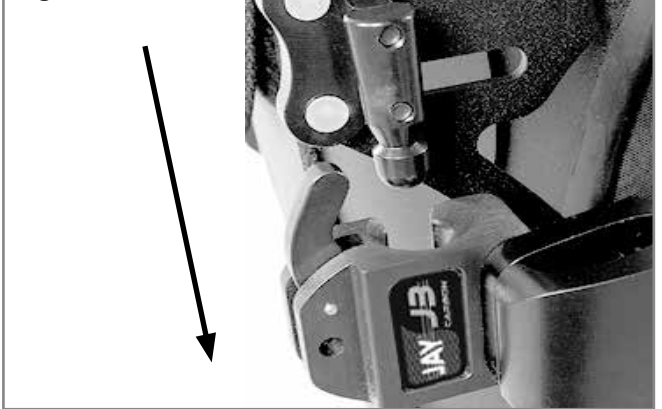


Fig. 20

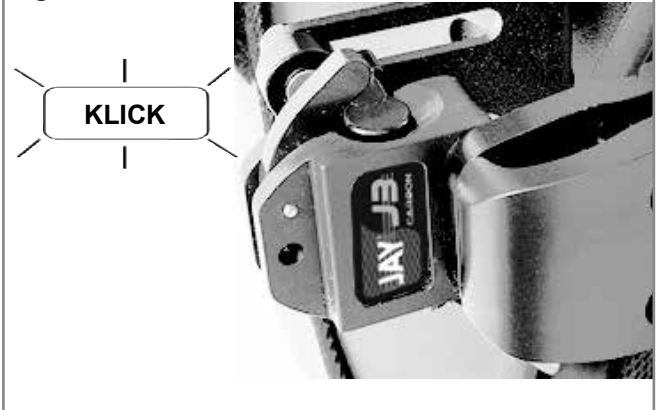
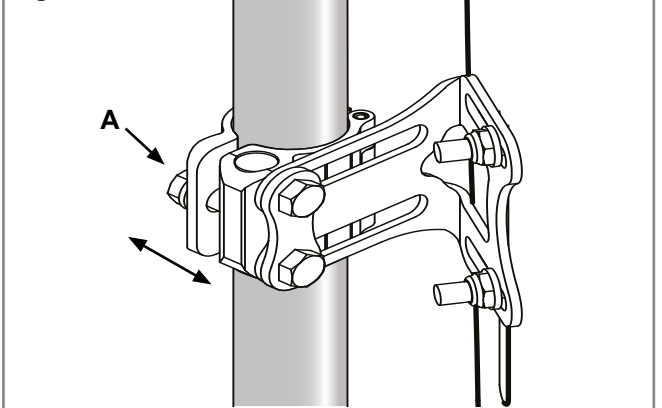


Fig. 17



Fig. 21



ANBRINGEN DER SCHUTZABDECKUNG

1. Die obere Lasche des J3 Carbon Rückenbezugs anheben (Fig. 22)
2. Befestigen Sie die Schutzabdeckung mit dem Klettverschluss am Bezug des J3 Rückens (Fig. 23). Bringen Sie die obere Lasche des Bezugs so an, dass sich die Schutzabdeckung zwischen der oberen und der unteren Lasche befindet (Fig. 24).
3. Nehmen Sie das Sitzkissen vom Rollstuhl ab und legen Sie das Ende der Schutzabdeckung zwischen die Stützfläche des Rollstuhls und das Sitzkissen (Fig. 25).
4. Passen Sie die Schutzabdeckung nach Bedarf an, indem Sie das Ende weiter unter das Sitzkissen hinein schieben oder heraus ziehen. Falls erforderlich, kann auch der obere Teil der Schutzabdeckung am Rücken nach oben oder unten verschoben werden.
5. Führen Sie die Befestigungsgurte mit Klettverschluss durch die entsprechenden Durchführungen an der Schutzabdeckung, wickeln Sie diese um den Rollstuhlrahmen und führen Sie das vordere Ende durch die Schlitzöffnung im Gurt (Fig. 26-27). Ziehen Sie ihn fest und schließen Sie alle Lücken außen an der Schutzabdeckung (Fig. 28).



Fig. 24



Fig. 25



Fig. 26



Fig. 22



Fig. 27



Fig. 23



Fig. 28

KONTRAINDIKATIONEN**⚠️ WARNUNG!**

Diesen Rücken nicht für Personen verwenden oder verschreiben, die das angegebene maximale Körpergewicht überschreiten.

RECYCLING / WIEDERVERWENDUNG:**⚠️ WARNUNG!**

Verletzungsgefahr.

Das Produkt immer von einem autorisierten Sunrise Medical Händler auf Schäden oder Abnutzung überprüfen lassen, bevor es an einen anderen Benutzer übertragen wird. Werden dabei Schäden festgestellt, **DIESES PRODUKT NICHT BENUTZEN**.

Die Nichtbeachtung dieser Warnungen kann zu schweren Verletzungen führen.

Dieses Produkt ist für die Wiederverwendung geeignet*: Lassen Sie Schale, Halterungen, Schaumstoff und Bezug auf Schäden oder Abnutzung überprüfen. Wenn dabei Schäden festgestellt werden, nicht wiederverwenden.

Reinigen und desinfizieren Sie Schale, Halterungen, Schaumstoff und Bezug gemäß den gesetzlichen Vorschriften vor Ort. Erkundigen Sie sich dazu bei Ihrer zuständigen Infektionsbekämpfungsstelle. Lassen Sie nach der Reinigung und Desinfektion Schale, Halterungen, Schaumstoff und Bezug von einem autorisierten Sunrise Medical Fachhändler überprüfen, um sicherzustellen, dass durch die Reinigung/Desinfektion keine Schäden verursacht wurden.

24 MONATE EINGESCHRÄNKTE GARANTIE

Alle Jay J3 Carbon Rücken werden einer sorgfältigen Inspektion und Prüfung unterzogen, um eine sehr hohe Qualität zu gewährleisten. Wir gewährleisten für einen Zeitraum von 24 Monaten ab dem Kaufdatum für alle Jay J3 Carbon Rücken, dass sie bei normalem Gebrauch frei von Material- und Herstellungsfehlern sind. Sollte innerhalb von 24 Monaten ab dem Erstkaufdatum ein Material- oder Herstellungsfehler auftreten, wird dieser nach dem Ermessen von Sunrise

Medical entweder repariert oder ersetzt.

Diese Garantie gilt nicht für Einstiche, Risse oder Verbrennungen sowie den abnehmbaren Bezug des Rückens.

Garantieansprüche müssen dem zuständigen, autorisierten Fachhändler gemeldet werden: Außer den hier ausdrücklich genannten Garantien sind alle anderen Gewährleistungen, einschließlich der Marktfähigkeit oder Gebrauchstauglichkeit, ausgeschlossen. Es gibt keine Garantien, die über das hier Aufgeführte hinausreichen. Der einzige Anspruch auf die ausdrücklich gegebenen Garantien gilt für die Reparatur oder den Ersatz der Ware. Die Garantie erstreckt sich auf keinen Fall auf Folgeschäden und der Garantieanspruch darf den Verkaufspreis der unter die Garantie fallenden Produkte auf keinen Fall übersteigen.

Sunrise Medical recommande de consulter un médecin ou un thérapeute spécialisé dans l'assise et le positionnement afin de déterminer si le dossier J3 Carbon est approprié pour l'utilisateur.

AVERTISSEMENT !

Seules les personnes suivantes sont habilitées à installer les dossiers :

- Fournisseur d'équipement médical agréé Sunrise Medical.
- Professionnel de santé qualifié et compétent ayant suivi la formation certifiée appropriée, dispensée par Sunrise Medical ou son fournisseur agréé.

DOSSIER JAY J3 CARBON - USAGE PRÉVU

Le dossier Jay J3 Carbon est prévu pour assurer un bon support dorsal à des utilisateurs de fauteuil roulant ayant des besoins très variés. Il a été conçu pour fournir un support simple, confortable et efficace afin d'optimiser la fonction et d'accroître la tolérance d'assise. En outre, il est léger, durable et facile à utiliser.

Le dossier est compatible avec une vaste gamme de fauteuils.

Poids maximum de l'utilisateur : 125 kg (275 lbs).

La durée de vie prévue pour ce dossier est de deux années.

AVERTISSEMENT !

L'installation d'un support dorsal sur un fauteuil roulant peut avoir une incidence sur son centre de gravité. Cela pourrait faire basculer le fauteuil en arrière et éventuellement entraîner des blessures.

Toujours tester la stabilité du fauteuil et, si nécessaire, ajouter des roulettes anti-bascule ou des supports d'adaptateur d'axe pour les personnes à qui il manque un membre.

AVERTISSEMENT !

Ne pas utiliser le dossier J3 Carbon pour pousser ou soulever le fauteuil car le dossier pourrait se détacher accidentellement du fauteuil.

AVERTISSEMENT !

Ne pas utiliser la poignée du dossier J3 Carbon pour soulever le fauteuil. Celle-ci sert au retrait du dossier.

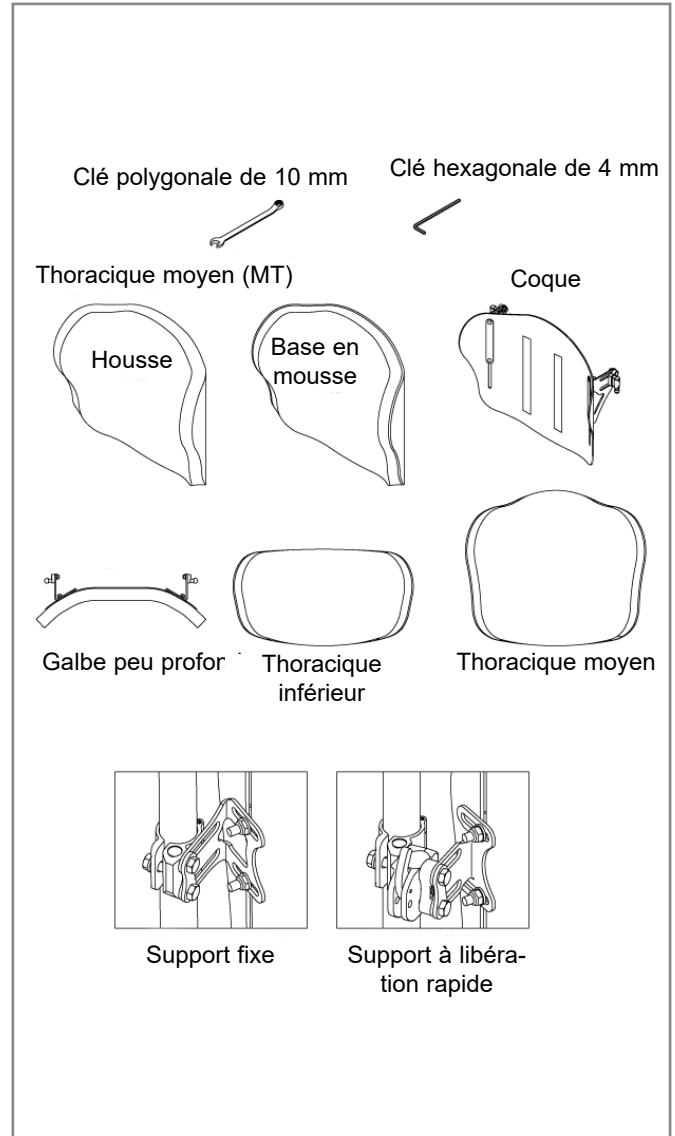
AVERTISSEMENT !

L'imprudence peut provoquer un incendie.

AVERTISSEMENT !

Lire attentivement le manuel avant utilisation.

DOSSIER J3 CARBON



ENTRETIEN

Sunrise recommande de vérifier toutes les attaches tous les 6 mois afin de déceler toute trace d'usure, comme des boulons desserrés ou des pièces cassées. Les attaches desserrées doivent être resserrées suivant les instructions d'installation. Toutes les attaches doivent être resserrées selon les couples de serrage indiqués au chapitre Montage des fixations. Contacter immédiatement un fournisseur Sunrise Medical agréé pour le remplacement d'une pièce cassée. Arrêter d'utiliser le dispositif après avoir identifié des pièces desserrées ou cassées.

FACILE À NETTOYER

REMARQUE : Lorsque vous démontez le dossier pour le nettoyer, notez l'emplacement des éléments Spine Align Velcro® afin de les replacer au bon endroit.

Nettoyage de la housse du dossier

Détachez la bande Velcro afin de dégager la housse. Retirez la housse de la coque du dossier. Repérez la fermeture Eclair au bas de la housse et ouvrez-la. Sortez la mousse et retournez la housse à l'envers. Refermez la fermeture Eclair pour éviter les accrocs. Lavez en machine à l'eau tiède (60°C). Laissez sécher à l'air libre ou dans un sèche-linge à basse température.

REMARQUE : Pas de nettoyage à sec, ni de lavage ou séchage industriel de la housse. Ne pas placer la housse en autoclave. Pas d'eau de Javel.

Réinsérez la mousse dans la housse. À noter que la base est composée de deux couches de mousse. Lorsque vous réinsérez la mousse, veillez à ce que la couche de mousse fine de couleur gris clair soit contre la coque. Une fois la mousse placée à l'intérieur de la housse, refermez la fermeture Eclair.






Nettoyage de la coque du dossier

Nettoyez la coque du dossier avec un chiffon propre et de l'eau savonneuse. La coque du dossier ne doit normalement pas nécessiter plus d'entretien.

Nettoyage des éléments de positionnement

Les éléments de positionnement peuvent être nettoyés à l'eau savonneuse. N'immergez pas les éléments de positionnement dans l'eau.

Pour toute autre question sur les procédures de nettoyage, contactez votre revendeur Sunrise Medical.

Symboles de nettoyage	
	Lavez en machine à l'eau tiède (60°C).
	Si nécessaire, n'utilisez que des agents non chlorés de blanchiment
	Laissez sécher naturellement
	Ne pas repasser
	Pas de nettoyage à sec

COMPATIBILITÉ

Types de fauteuils roulants

Le dossier J3 Carbon Back est prévu pour être compatible avec la plupart des fauteuils roulants, à l'exception des modèles suivants :

Fauteuils à dossier réglable en angle, inclinable et à inclinaison d'assise, résultant en un angle d'inclinaison du dossier supérieur à 60° par rapport à la verticale.

AVERTISSEMENT !

L'utilisation du dossier avec ces types de fauteuils roulants présente le risque de le voir se détacher accidentellement du fauteuil et de causer une chute et des blessures graves.

Les dimensions du fauteuil

Le dossier J3 Carbon a été conçu pour remplacer la toile de dossier standard du fauteuil roulant. Avant le montage, déterminez si les montants du dossier du fauteuil sont compatibles en mesurant la largeur entre les montants, comme indiqué à la Figure 1. Reportez-vous ensuite au Tableau 1 (montage fixe) ou au Tableau 2 (libération rapide), afin de déterminer si le dossier est compatible avec votre fauteuil. Vérifiez ensuite que le diamètre des montants est compatible.

Les éléments du dossier J3 Carbon peuvent être fixés sur des montants mesurant 19 mm de diamètre (avec insert), 22 mm (avec insert) ou 25 mm (sans insert). Si vous ne parvenez pas à déterminer la compatibilité des montants du dossier de votre fauteuil, contactez votre revendeur Sunrise Medical agréé ou le service clients Sunrise Medical.

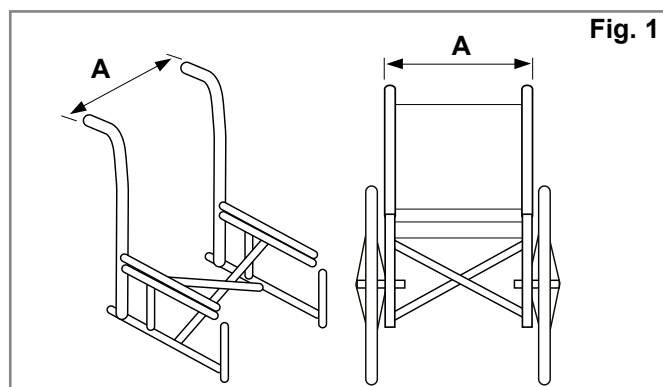


Fig. 1

Tableau 1

LARGEUR DU DOSSIER J3 CARBON Support fixe	Entretoise	Largeur des montants du dossier de l'extérieur droit à l'extérieur gauche des montants (Fig. 1-A)	
		Largeur minimale	Largeur maximale
32 cm	NON	29 cm	33 cm
	OUI	31 cm	35 cm
36 cm	NON	34 cm	38 cm
	OUI	36 cm	40 cm
41 cm	NON	39 cm	43 cm
	OUI	41 cm	45 cm
46 cm	NON	44 cm	48 cm

Tableau 2

LARGEUR DU DOSSIER J3 CARBON Support à libération rapide		Largeur des montants du dossier de l'extérieur droit à l'extérieur gauche des montants (Fig. 1-A)	
		Largeur minimale	Largeur maximale
32 cm		31 cm	36 cm
36 cm		36 cm	41 cm
41 cm		41 cm	46 cm
46 cm		46 cm	51 cm

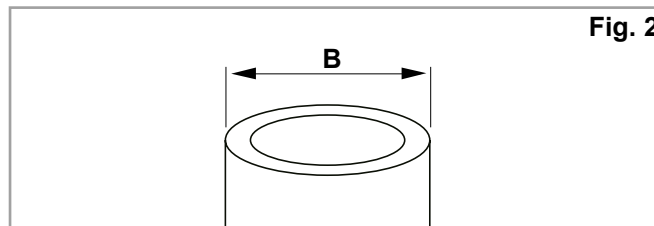


Fig. 2

Tableau 3

Largeur du dossier J3 Carbon	Diamètre du montant (Fig. 2)			
	Largeur minimale Pouce		Largeur maximale Pouce	
12.6-18" (32-46 cm)	3/4	1,9	1,0	2,2

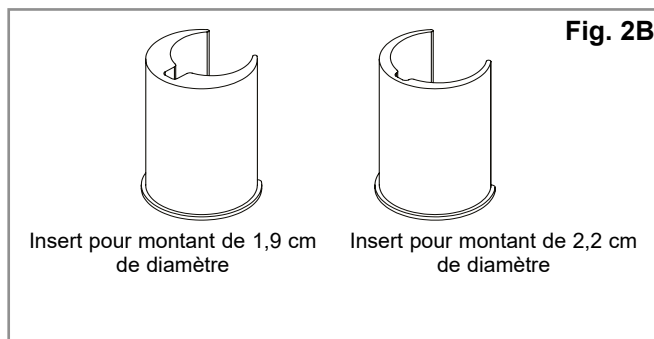


Fig. 2B

MONTAGE DES FIXATIONS

Veillez lire les consignes suivantes avant de procéder au montage.

Pour installer le dossier J3 Carbon, commencez dans un premier temps avec le fauteuil vide, sans occupant. Une fois le dossier installé, vous pouvez procéder aux divers petits réglages avec l'utilisateur installé dans le fauteuil. Outils requis (fournis avec le dossier J3 Carbon)*

- Clé hexagonale de 4 mm (pour le support à libération rapide uniquement)
- Clé de 10 mm.

REMARQUE : lorsque des valeurs de serrage sont indiquées, il est fortement conseillé d'utiliser une clef torx (non fourni avec le dossier Jay3) afin de vérifier le couple de serrage.

Consignes de montage du support fixe, (Figs. 3, 4, 5).

1. Ôtez le dossier d'origine du fauteuil en suivant les consignes du fabricant.

REMARQUE : Si la largeur de votre fauteuil est de 34, 40 ou 44 cm, vous devrez utiliser les entretoises fournies avec le dossier. Vous trouverez les instructions ci-dessous :

2. Avec la clé polygonale de 10 mm, desserrez et retirez la vis (A), ouvrez la charnière afin de la placer autour du montant du fauteuil.
3. Avec la clé polygonale de 10 mm, desserrez et retirez la vis (A), ouvrez la charnière afin de la placer autour du montant du fauteuil.
4. Positionnez le support à la hauteur désirée sur le montant du fauteuil, puis refermez la charnière et resserrez la vis (A). Les supports doivent être à peu près à hauteur égale sur les deux montants. En général, privilégiez un emplacement en hauteur.

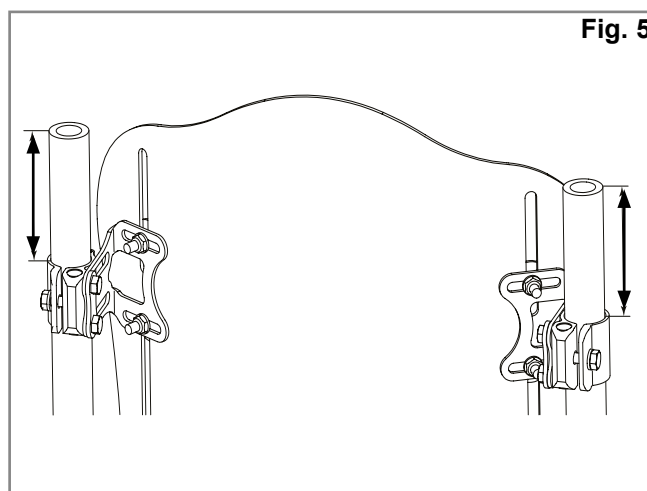
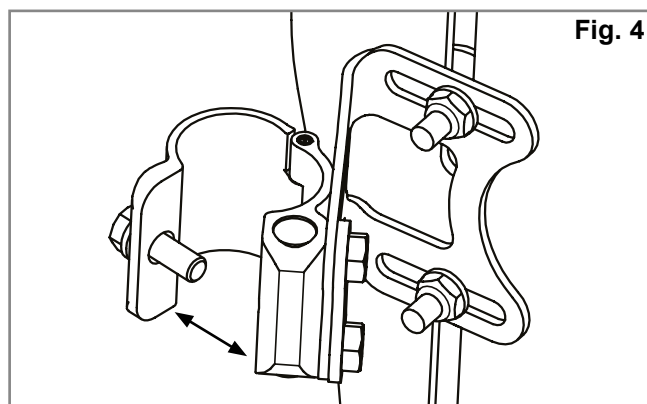
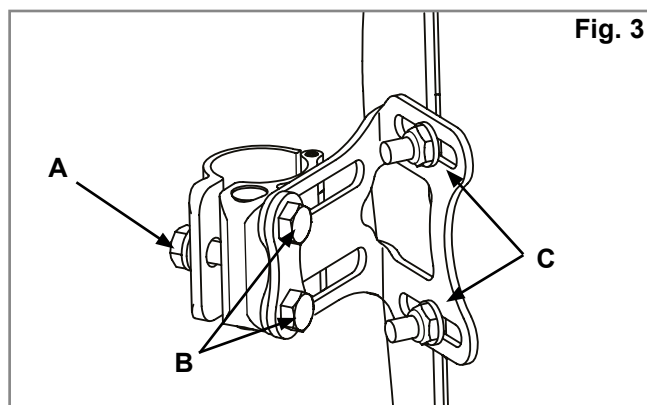
REMARQUE : pour les montants d'un diamètre inférieur à 25 mm, utilisez les entretoises de la taille appropriée.

5. Réglez le dossier à la position, profondeur, inclinaison et hauteur désirées, puis resserrez les vis (B) et écrous (C).

Revissez les écrous et les vis :

Valeurs de serrage recommandées :

- Vis (A) et (B): 11,3 - 12,4 Nm.
- Ecrous (C) : 8,5 - 9,3 Nm



INSTALLATION DU KIT D'ENTRETOISES :

(Fig. 6, 7).

REMARQUE : kit requis uniquement pour les largeurs de 34, 40 et 44 cm.

1. Retirez les deux (2) vis (B) qui maintiennent le support de fixation au montant (Fig. 6).

REMARQUE : lorsque vous retirez ces deux vis, les écrous se détachent. Tenez-vous prêt à les rattraper pour éviter qu'ils ne tombent au sol.

2. Placez l'entretoise (D) entre la fixation et le collier de serrage.
3. Remettez les écrous en place, si nécessaire, et alignez les orifices avec les vis. Utilisez les vis plus longues (M6 x 25) fournies avec le kit.

CONSIGNES D'INSTALLATION DU SYSTÈME DE SUPPORT À LIBÉRATION RAPIDE

(Fig. 8, 9, 10,).

1. Ôtez le dossier d'origine du fauteuil en suivant les consignes du fabricant.
2. Déterminez visuellement l'emplacement des fixations sur les montants du dossier du fauteuil. Les fixations doivent être situées approximativement à la même hauteur sur chaque montant (Fig. 8) et parallèlement au cadre du siège (Fig. 9). En général, il est préférable de placer les fixations relativement haut sur les montants.
3. Placez les fixations. (Fig. 10)
Avec la clé polygonale de 10 mm, desserrez et retirez la vis (A), ouvrez la charnière afin de la placer autour du montant du fauteuil.

REMARQUE : pour les montants d'un diamètre inférieur à 25 mm, utilisez les entretoises de la taille appropriée.

- Placez et alignez les fixations sur les montants du dossier du fauteuil.
- Serrez les vis de serrage (A) à la main.

REMARQUE : il s'avèrera peut-être nécessaire de régler les fixations également latéralement pour être sûr qu'elles sont bien alignées.

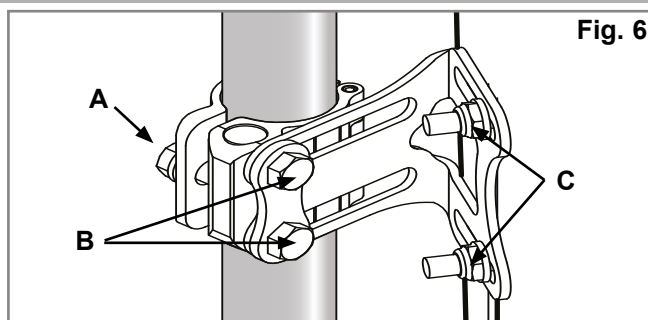


Fig. 6

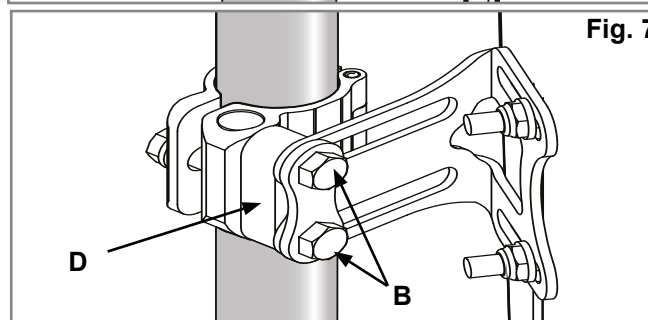


Fig. 7

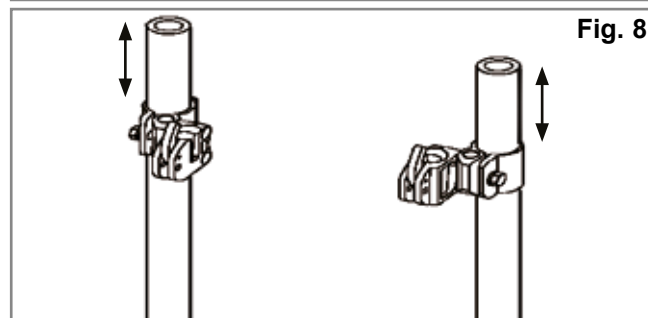


Fig. 8

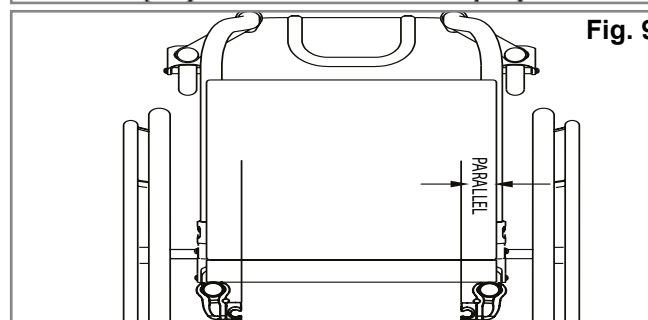


Fig. 9

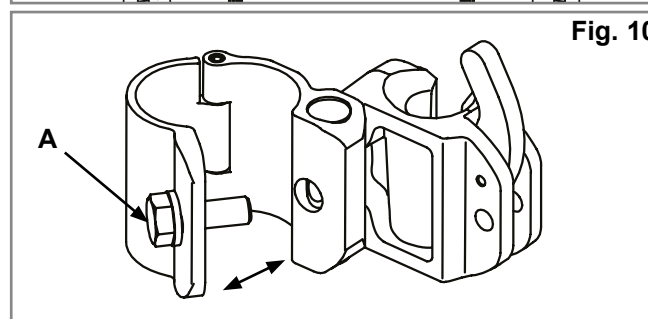


Fig. 10

FIXATION ET ALIGNEMENT DE LA COQUE DU DOSSIER

(Fig. 11, 12, 13).

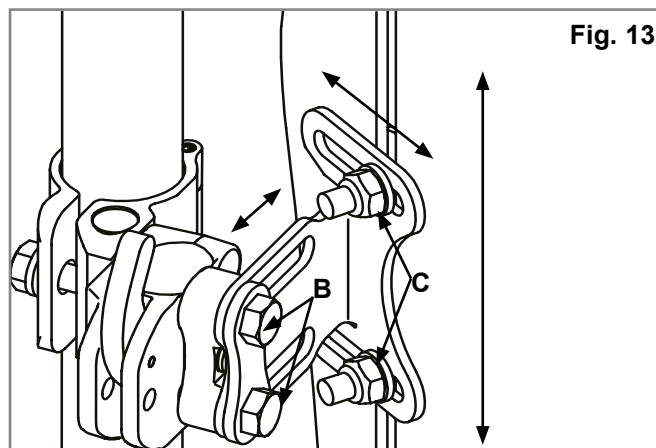
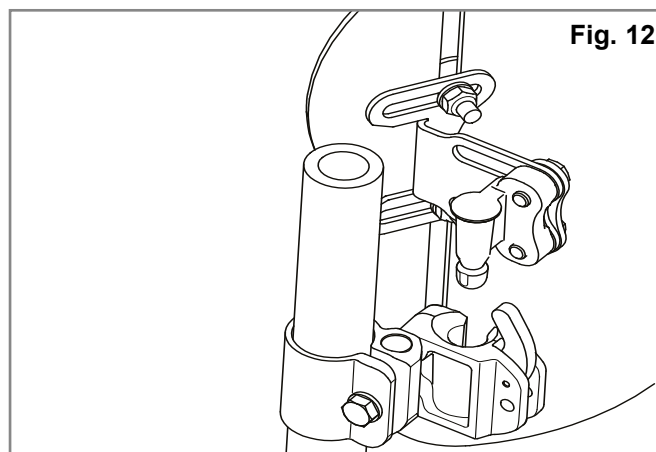
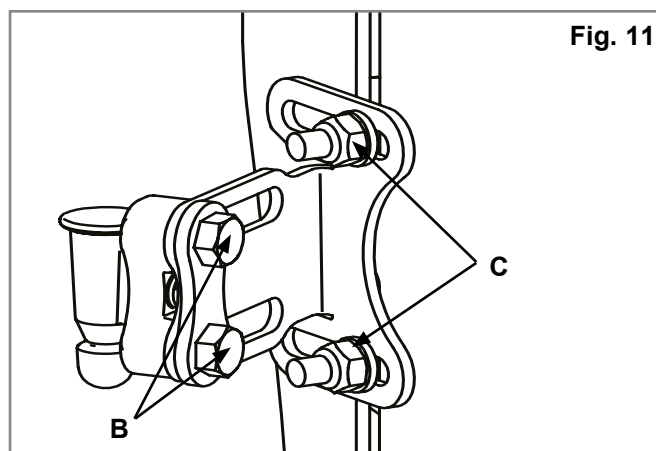
- À l'aide d'une clé de 10 mm, desserrez, sans les retirer, les vis (B) et les écrous (C).
- Attachez le dossier J3 Carbon au support en insérant les tiges dans les logements prévus à cet effet (Fig. 12).
- Réglez le dossier à la position, profondeur, inclinaison et hauteur désirées (Fig. 13), puis resserrez à la main les vis (B) et écrous (C).

REMARQUE :vous devrez éventuellement régler la profondeur et l'inclinaison du dossier pour optimiser le confort de l'utilisateur.

- Testez le mécanisme de libération : enfoncez les leviers de libération, puis dégagez le dossier du fauteuil. (Pour de plus amples informations, reportez-vous à la section Retrait et remplacement.) si vous parvenez à installer et à libérer le dossier sans forcer, c'est que l'alignement entre la fixation et le dossier est bon.
- Si tel n'est pas le cas, ajustez les différents éléments jusqu'à obtention d'un bon alignement.
- Une fois le bon alignement obtenu, resserrez les vis et les écrous.

REMARQUE :Ne resserrez les écrous et les vis qu'une fois que le dossier est correctement aligné :

Valeurs de serrage recommandées :
 Vis (A) et (B): 11,3 - 12,4 Nm.
 Ecrous (C) : 8,5 – 9,3 Nm



RÉGLAGE DE LA HAUTEUR, DE LA PROFONDEUR ET DE L'ANGLE D'INCLINAISON DU DOSSIER J3

La première phase de l'installation des fixations du dossier J3 Carbon est terminée.

Il convient désormais d'installer l'utilisateur dans son fauteuil

afin de personnaliser le dossier J3 Carbon. Demandez à l'utilisateur de ne pas complètement s'appuyer contre le dossier car celui-ci n'est pas encore serré aux couples de serrage requis.

1. Réglage de la hauteur (Fig. 14).

- Après avoir installé l'utilisateur dans son fauteuil, déterminez la hauteur requise du dossier. Une fois la hauteur déterminée, demandez à l'utilisateur de se dégager délicatement du dossier J3 Carbon en se penchant ou en glissant légèrement vers l'avant, de sorte à pouvoir procéder au réglage.
- Desserrez les écrous de la plaque de support (C) et réglez la coque du dossier à la hauteur désirée.
- Resserrez les écrous de la plaque (C). Le couple de serrage recommandé est de 8,5 – 9,3 Nm

REMARQUE : après avoir réglé la hauteur, vérifiez de n'avoir pas modifié la largeur par inadvertance.

2. Réglage de la profondeur et de l'angle d'inclinaison (Fig. 11, 12, 13 et 14).

Veillez noter qu'il existe deux types de support : le support fixe (Fig. 15) et le support à libération rapide (Fig. 16). Les deux types de support se règlent de la même façon, la différence étant que le support fixe permet un réglage de la profondeur allant jusqu'à 4 cm (Fig. 15), tandis que le support à libération rapide permet un réglage de la profondeur allant jusqu'à 2,9 cm (Fig. 16).

- Pour régler la profondeur et l'angle du dossier J3 Carbon, desserrez les vis (B) gauche et droite (C) sur les rainures de fixation (Fig. 16).
- Réglez la profondeur et/ou l'angle d'inclinaison, puis resserrez les écrous. Le couple de serrage recommandé est de 11,3 - 12,4 Nm. Assurez-vous qu'aucune vis de réglage de la profondeur (B) (Fig. 16) ne glisse ou pivote.

REMARQUE : avant de remettre les vis en place, il est fortement recommandé d'appliquer un adhésif frein-filet moyennement puissant, comme du Loctite 243, sur les fixations et le filetage des vis.

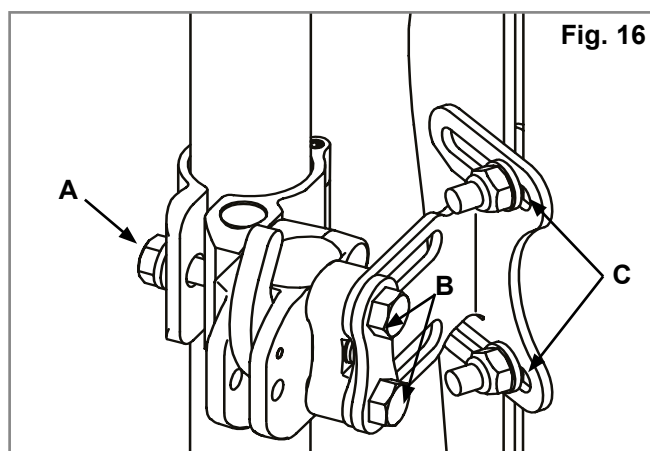
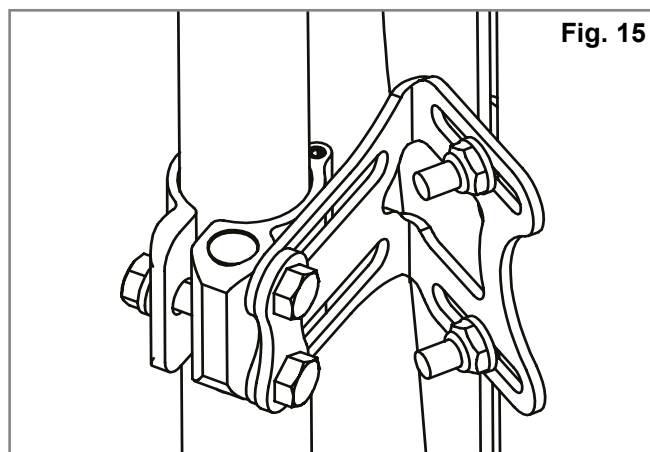
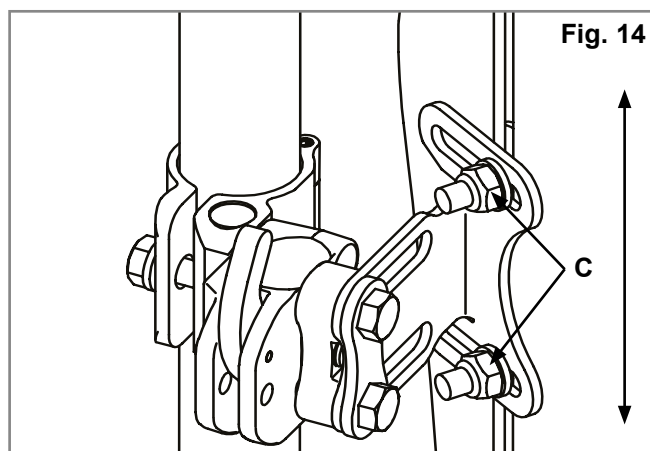
Valeurs de serrage recommandées :

Vis (A) et (B) : 11,3 - 12,4 Nm.

Écrous (C) : 8,5 – 9,3 Nm

⚠ AVERTISSEMENT !

Vérifiez d'avoir bien resserré toutes les fixations après avoir procédé à tous les ajustements et lorsque le dossier J3 Carbon est prêt à l'emploi.



DÉPOSE ET RÉINSTALLATION

Dépose – Support à libération rapide

Après l'avoir installé et l'avoir réglé, le dossier peut s'enlever facilement du fauteuil, en cas de besoin. Pour le retirer, il suffit de pousser les leviers de libération vers l'avant, (Fig. 17). Lorsque les leviers sont en position vers l'avant, soulevez le dossier pour l'extraire de ses supports (Fig. 18) en l'attrapant par la poignée située en haut du dossier.

Réinstallation du dossier

Pour replacer le dossier dans ses supports, alignez les goupilles avec les fixations et insérez-les. Les goupilles doivent émettre un clic indiquant qu'elles sont bien enclenchées, (Fig. 19 - 20).

⚠ AVERTISSEMENT !

Si vous n'êtes pas sûr d'avoir entendu le « click » tirez le dossier vers le haut par la poignée pour vérifier qu'il est bien enclenché.

Dépose – Support fixe

Si les supports de votre dossier J3 Carbon sont fixes, suivez les consignes ci-dessous pour retirer le dossier :

1. Desserrez et retirez la vis (A) des fixations droite et gauche à l'aide d'une clé de 10 mm.
2. Ouvrez la fixation et dégagez le dossier J3 Carbon (Fig. 21).

Réinstallation du dossier Pour remettre le dossier en place, suivez les consignes d'installation énoncées dans ce manuel (page 9).

Fig. 18

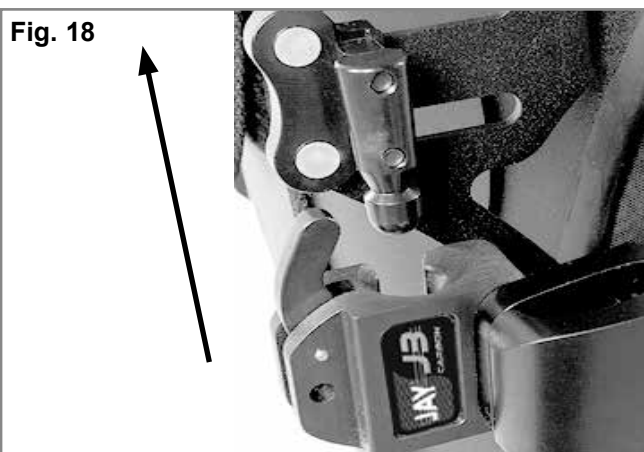


Fig. 19

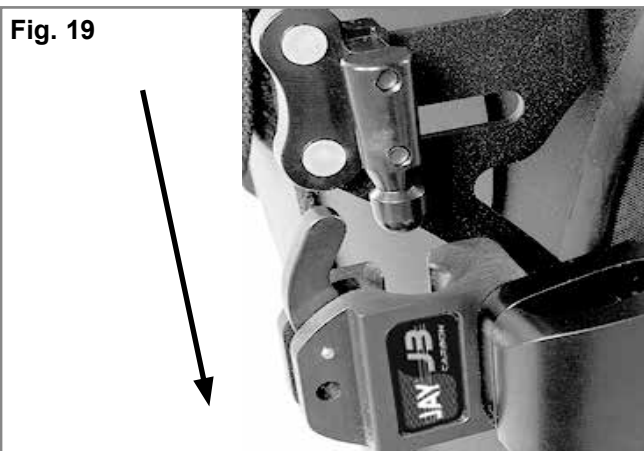


Fig. 20

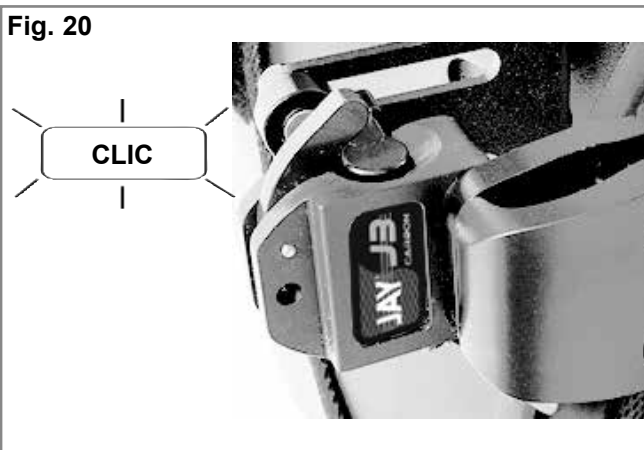
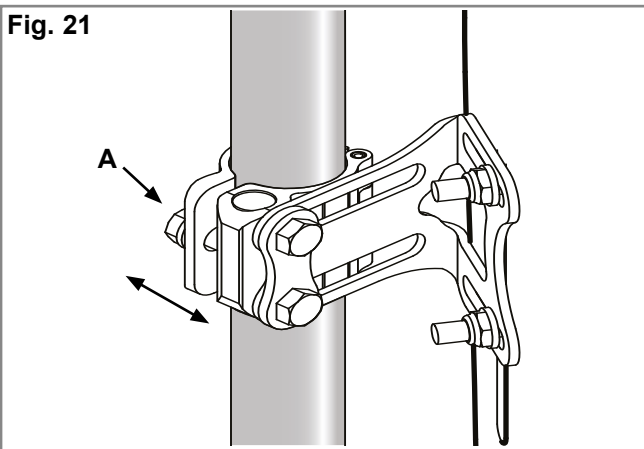


Fig. 17



Fig. 21



INSTALLATION DE LA PROTECTION DU DOSSIER

1. Soulevez le rabat supérieur de la housse du dossier J3 Carbon (Fig. 22)
2. Collez le haut de la protection au velcro de la housse du dossier J3 Carbon (Fig. 23). Rabaissez le rabat supérieur de la housse de sorte que la protection du dossier se fixe entre les rabats inférieur et supérieur (Fig. 24).
3. Retirez le coussin d'assise du fauteuil et passez la bavette de la protection du dossier entre le siège du fauteuil et le coussin d'assise (Fig. 25).
4. Ajustez la protection du dossier si nécessaire en déplaçant la bavette sous le coussin d'assise. En cas de besoin, vous pouvez également monter ou baisser la partie supérieure du volet inférieur sur la partie arrière du siège.
5. Insérez les bandes de fermeture auto-agrippante à travers les œillets de la protection du dossier, puis passez-les autour du cadre du fauteuil et insérez l'extrémité dans la fente de la bande (Fig. 26-27). Bordez et comblez les ouvertures de la protection du dossier (Fig. 28).



Fig. 24



Fig. 25



Fig. 26



Fig. 22



Fig. 27



Fig. 23



Fig. 28

CONTRE-INDICATIONS**⚠️ AVERTISSEMENT !**

Ne pas utiliser, ni prescrire ce dossier à tout utilisateur dont le poids dépasse la limite maximale spécifiée.

RECYCLAGE / RÉUTILISATION :**⚠️ AVERTISSEMENT !**

Risque de blessure.

Avant de céder le produit à un nouvel utilisateur, demandez toujours à un revendeur Sunrise Medical agréé de l'inspecter afin de déceler tout éventuel signe d'endommagement ou d'usure. Si le moindre signe d'endommagement est décelé, **N'UTILISEZ PAS CE PRODUIT.**

Le non-respect de ces avertissements pourrait entraîner de graves blessures.

Ce produit peut être réutilisé par un nouvel utilisateur *: Demandez à un revendeur Sunrise Medical agréé d'inspecter la coque, le matériel de fixation, la mousse et la housse afin de déceler tout éventuel signe d'endommagement ou d'usure. Si le moindre signe d'endommagement est décelé, ne réutilisez pas ce produit.

Nettoyez et désinfectez la coque, le matériel de fixation, la mousse et la housse conformément à la réglementation locale en vigueur. Pour tout conseil, contactez votre agence de contrôle des infections. Après avoir nettoyé et désinfecté le matériel, demandez à un revendeur Sunrise Medical agréé d'inspecter la coque, le matériel de fixation, la mousse et la housse afin de vérifier que la procédure de nettoyage/désinfection n'a causé aucun endommagement.

GARANTIE LIMITÉE DE 24 MOIS

Tous les dossiers Jay J3 Carbon sont rigoureusement inspectés et testés pour garantir une performance optimale. Tous les dossiers Jay J3 Carbon sont garantis contre tout vice de matériau et de fabrication pendant une période de 24 mois à compter de la date d'achat, dans la mesure où l'usage qui en a fait est réputé normal. Si un défaut de matériau ou de fabrication venait à apparaître au cours des 24 premiers mois à compter de la date d'achat d'origine, Sunrise Medical pourra, à sa discrétion, le réparer ou le remplacer gratuitement.

Cette garantie ne s'applique pas aux trous, déchirures ou brûlures, ni à la housse amovible du dossier.

Les réclamations et réparations doivent être effectuées auprès de votre fournisseur agréé le plus proche.

Outres les garanties expresses décrites dans le présent document, toutes les autres garanties, y compris les garanties tacites de commercialisation et les garanties de conformité à une fin particulière, sont exclues. Aucune garantie ne s'étend au-delà des présentes dispositions. Les recours pour non-respect des garanties expresses décrites, sont limités à la réparation ou au remplacement de la marchandise. En aucun cas, les dédommagements pour non-respect de la garantie ne comprendront des dommages et intérêts indirects, ni ne dépasseront les coûts du matériel non conforme vendu.

Sunrise Medical raccomanda di rivolgersi ad un medico, un terapeuta o un tecnico della riabilitazione esperto in sistemi di seduta e di postura per determinare l'idoneità all'uso di uno Schienale J3 Carbon.

⚠ AVVERTENZA!

Gli schienali devono essere installati solamente da:

- Un rivenditore autorizzato Sunrise Medical.
- Un operatore sanitario qualificato che abbia ricevuto un'adeguata formazione direttamente da Sunrise Medical o presso un rivenditore autorizzato Sunrise Medical.

UTILIZZO DELLO SCHIENALE JAY J3 CARBON

Lo Schienale Jay J3 Carbon è stato sviluppato per fornire supporto per la schiena per una vasta casistica di utenti in carrozzina. Ideato per fornire un supporto semplice, comodo ed efficace, favorisce la funzionalità e aumenta la tolleranza alla posizione seduta. Inoltre, è leggero, resistente e facile da usare.

Lo Schienale può essere fissato ad una vasta gamma di carrozzine.

Portata massima: 125 kg.

La durata prevista dello schienale è 2 anni.

⚠ AVVERTENZA!

L'uso di un supporto per la schiena su una carrozzina può modificarne il centro di gravità facendola ribaltare all'indietro e causando lesioni all'utente.

Valutare sempre la necessità di aggiungere dispositivi antiribaltamento o prolunghe per amputati per aumentare la stabilità della carrozzina.

⚠ AVVERTENZA!

Non usare lo Schienale J3 Carbon per spingere o sollevare la carrozzina. Se viene utilizzato in modo scorretto, lo schienale potrebbe staccarsi inavvertitamente dalla carrozzina.

⚠ AVVERTENZA!

Non usare la maniglia dello Schienale J3 Carbon per sollevare la carrozzina, poiché serve solo per la rimozione dello schienale.

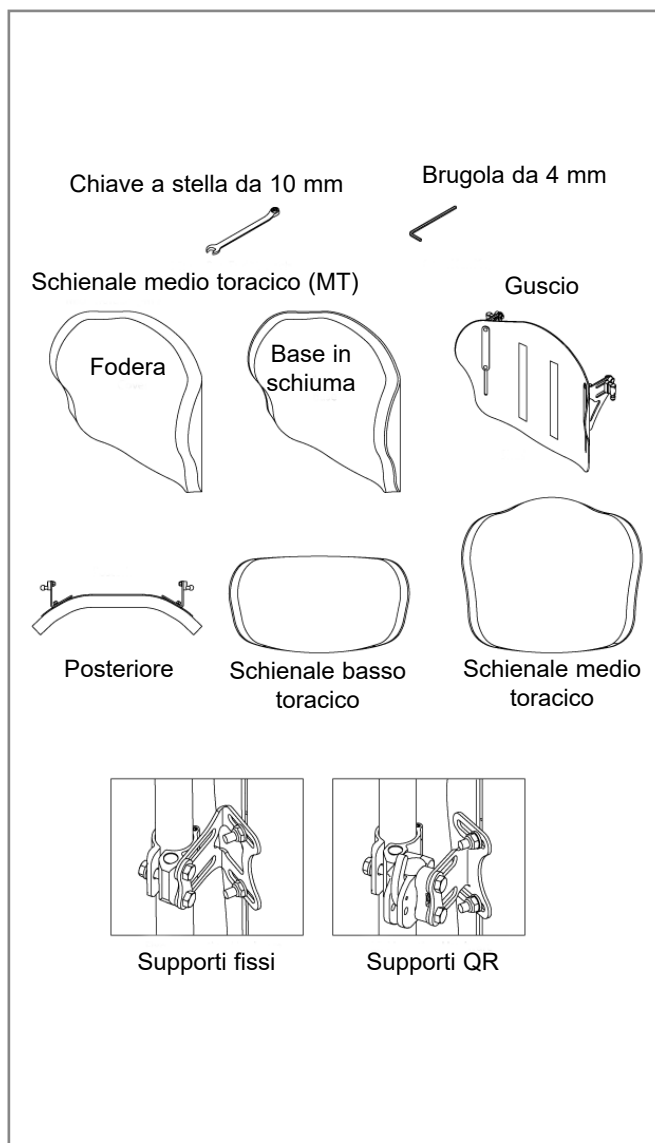
⚠ AVVERTENZA!

La mancanza di attenzione potrebbe causare un incendio

⚠ AVVERTENZA!

Leggere il manuale prima dell'uso.

SCHIENALE J3 CARBON



MANUTENZIONE

Sunrise raccomanda di controllare ogni 6 mesi tutti i dispositivi di fissaggio ed assicurarsi che non siano logori, che i bulloni non siano allentati o che i componenti non siano rotti. Stringere i dispositivi di fissaggio allentati secondo le istruzioni per l'installazione. Stringere i dispositivi di fissaggio secondo le coppie di serraggio specificate nella sezione relativa al montaggio dei supporti. Se è necessario sostituire dei componenti rotti, contattare immediatamente il rivenditore Sunrise Medical autorizzato. Se un componente è allentato o rotto, non utilizzare più il sistema.

FACILE PULIZIA

NOTA: Quando si smonta lo schienale per pulirlo, prendere nota della posizione dei componenti per il posizionamento per rimontarli poi correttamente.

Pulizia della fodera dello schienale

Staccare il velcro per rimuovere la fodera. Staccare la fodera dal guscio dello schienale. Aprire la cerniera situata nella parte inferiore della fodera. Rimuovere la schiuma e rivoltare la fodera. Richiudere la fodera con la cerniera per evitare che si attorcigli. Lavare in lavatrice in acqua calda (60 °C) Asciugare all'aria o in asciugatrice a bassa temperatura.

NOTA: Non lavare la fodera a secco, né utilizzare lavatrici ed asciugatrici industriali. Non sterilizzare in autoclave a vapore. Non candeggiare.




Inserire nuovamente la schiuma nella fodera. Tenere presente che la base ha due strati in schiuma. Quando si inserisce la schiuma, assicurarsi che lo strato di schiuma più sottile "grigio chiaro" sia rivolto verso il guscio. Dopo aver fissato la schiuma all'interno della fodera, chiudere con la cerniera.

Pulizia del guscio dello schienale

Il guscio può essere pulito strofinandolo con acqua e sapone. Non dovrebbe essere necessaria alcuna altra manutenzione.

Pulizia dei componenti per il posizionamento

I componenti per il posizionamento possono essere puliti con acqua e sapone. Non immergerli nell'acqua. Se si hanno domande sulle procedure di pulizia, contattare il rivenditore Sunrise Medical autorizzato.

Simboli per il lavaggio	
	Lavare in lavatrice in acqua calda (60 °C)
	Se necessario, smacchiare utilizzando solamente prodotti non a base di cloro.
	Asciugare all'aria
	Non stirare
	Non lavare a secco.

COMPATIBILITÀ CON LA CARROZZINA

Tipi di carrozzina

Lo Schienale J3 Carbon è stato progettato per essere utilizzato con la maggior parte delle carrozzine con l'eccezione di:

Carrozzine con schienale regolabile in angolazione, reclinabili o basculanti che raggiungano un'angolazione maggiore di 60 gradi rispetto all'asse verticale.

AVVERTENZA!

L'uso dello schienale con questi tipi di carrozzina può provocare il distacco accidentale dello schienale, con conseguente caduta e rischio di gravi lesioni.

Dimensioni della carrozzina

Lo Schienale J3 Carbon è progettato per sostituire il telo schienale della carrozzina. Prima del montaggio controllare che i montanti dello schienale siano compatibili. A questo scopo misurare la distanza tra i montanti come illustrato nella figura 1, Quindi consultare la Tabella 1 (Supporti fissi) o

la Tabella 2 (Supporti a sgancio rapido) per determinare se è possibile usare lo schienale con la carrozzina.

Quindi controllare che i montanti siano di diametro compatibile.

I supporti dello Schienale J3 Carbon possono essere fissati su montanti che misurano 19 mm (con inserto), 22 mm (con inserto) o 25 mm (senza inserto).

In caso di difficoltà nel determinare la compatibilità dei montanti dello schienale rivolgetevi ad un rivenditore autorizzato oppure al servizio clienti di Sunrise Medical.

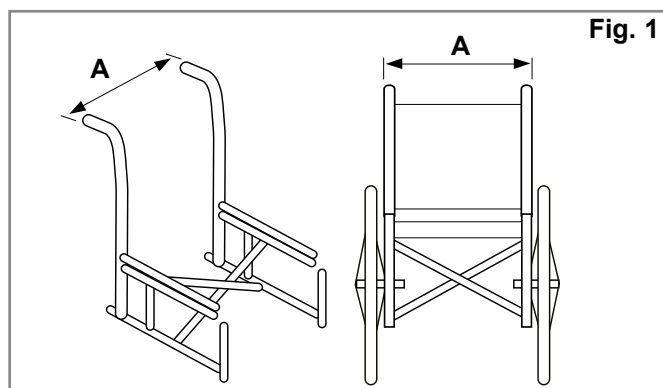


Fig. 1

Tabella 1

LARGHEZZA DELLO SCHIENALE J3 CARBON Supporti fissi	Distanziale	Distanza tra i montanti, da parte esterna a parte esterna (Fig. 1-A)	
		Larghezza minima	Larghezza massima
32 cm	NO	29 cm	33 cm
	SÌ	31 cm	35 cm
36 cm	NO	34 cm	38 cm
	SÌ	36 cm	40 cm
41 cm	NO	39 cm	43 cm
	SÌ	41 cm	45 cm
46 cm	NO	44 cm	48 cm

Tabella 2

LARGHEZZA DELLO SCHIENALE J3 CARBON Supporti a sgancio rapido	Distanziale	Distanza tra i montanti, da parte esterna a parte esterna (Fig. 1-A)	
		Larghezza minima	Larghezza massima
32 cm		31 cm	36 cm
36 cm		36 cm	41 cm
41 cm		41 cm	46 cm
46 cm		46 cm	51 cm

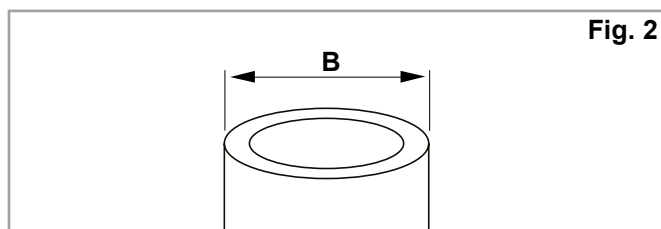


Fig. 2

Tabella 3

Larghezza dello Schienale J3 Carbon	Diametro dei montanti (Fig. 2)			
	Larghezza minima " cm		Larghezza massima " cm	
12,6-18" (32-46 cm)	3/4	1,9	1,0	2,2

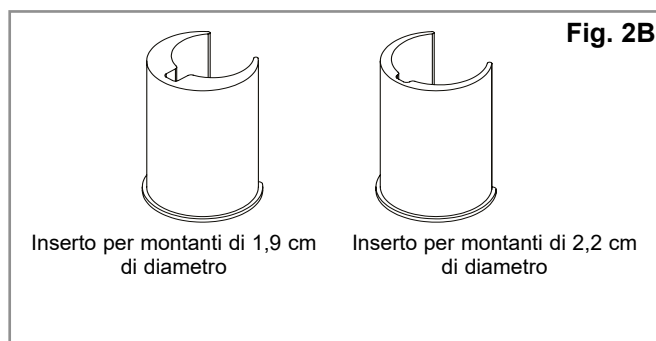


Fig. 2B

MONTAGGIO DEI SUPPORTI

Prima di procedere con il montaggio, leggere bene le istruzioni.

Si consiglia di montare lo Schienale J3 Carbon senza l'utente seduto in carrozzina. Se, dopo il montaggio, fosse necessario apportare alcune modifiche di piccola entità, l'utente può rimanere seduto in carrozzina.

Attrezzi necessari (forniti con lo Schienale J3 Carbon)*

- brugola da 4 mm (necessaria solo per la versione QR)
- Chiave da 10 mm.

NOTA: quando le impostazioni di serraggio sono specificate, si raccomanda vivamente di utilizzare una chiave torsiometrica (non fornita con lo Schienale Jay3) per verificare che il serraggio impostato sia conforme alle specifiche.

Istruzioni di installazione per i supporti fissi, (Figg. 3, 4, 5).

1. Rimuovere lo schienale secondo le istruzioni del produttore della carrozzina.

NOTA: Se la larghezza della carrozzina è 34 cm, 40 cm o 44 cm, montare i distanziatori in dotazione con lo schienale: Vedere le istruzioni seguenti:

2. Allentare, ma non rimuovere, i dadi (C) e le viti (B) usando la chiave a stella da 10 mm in dotazione.
3. Allentare e rimuovere la vite (A) usando la chiave a stella da 10 mm. Aprire la cerniera per consentire il posizionamento attorno al montante.
4. Posizionare i supporti all'altezza desiderata sui montanti dello schienale e poi chiudere la cerniera e stringere la vite (A). I supporti devono essere montati più o meno alla stessa altezza su ciascun montante. Si consiglia di posizionare i supporti sulla parte alta.

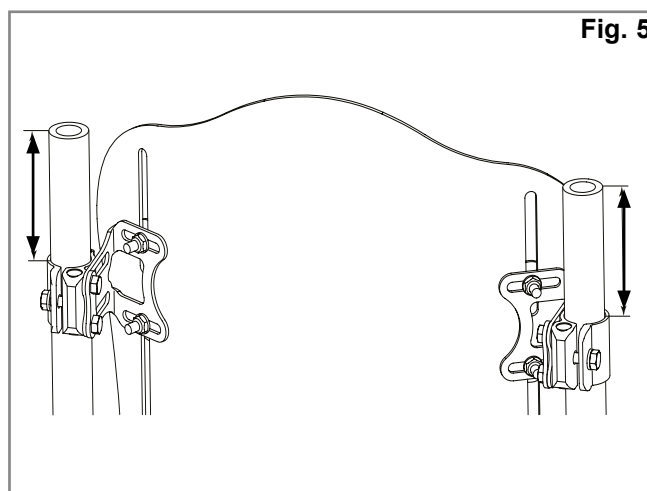
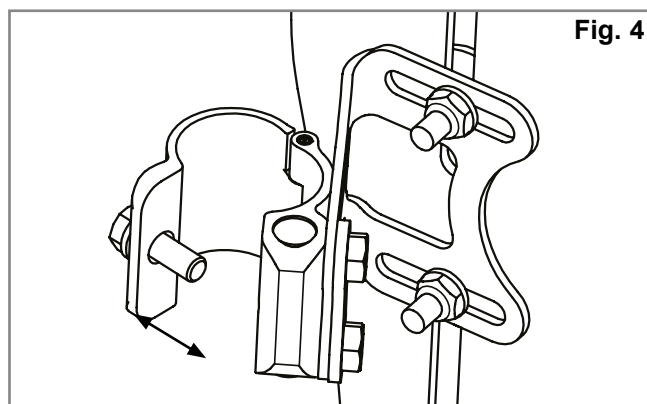
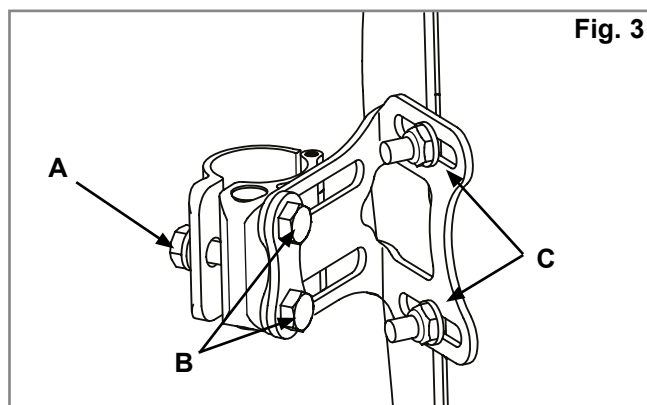
NOTA: per i montanti di diametro inferiore a 25 mm usare il distanziale di dimensioni adeguate.

5. Regolare lo schienale alla posizione, alla profondità, all'inclinazione e all'altezza desiderata e stringere le viti (B) e i dadi (C).

Stringere tutti i dadi e le viti:

Coppia di serraggio raccomandata:

- Viti (A) e (B): 11,3 – 12,4 Nm
- Dadi (C): 8,5 – 9,3 Nm.



ISTRUZIONI PER L'INSTALLAZIONE DEL KIT DEL DISTANZIALE:

(Fig. 6, 7).

NOTE: solo per le larghezze di 34 cm, 40 cm e 44 cm.

1. Rimuovere le due (2) viti (B) che fissano la staffa di montaggio al gruppo del morsetto sul montante (Fig. 6).

NOTA: dopo avere rimosso queste viti, i dadi a barilotto si allentano. Bisogna essere pronti ad afferrarli prima che cadano a terra.

2. Collocare il distanziale (D) tra la staffa e il gruppo del morsetto.
3. Se necessario, rimettere i dadi a barilotto e allineare i fori per farli combaciare con le viti. Fissare usando le viti più lunghe (M6 x 25) comprese nel kit.

ISTRUZIONI DI INSTALLAZIONE PER I SUPPORTI A SGANCIO RAPIDO

(Fig. 8, 9, 10,).

1. Rimuovere lo schienale secondo le istruzioni del produttore della carrozzina.
2. Determinare la posizione sui montanti dello schienale dove si desidera montare i supporti. I supporti devono essere montati più o meno alla stessa altezza su ogni montante (Fig. 8) e parallelamente al telaio del sedile (Fig. 9). Si consiglia di posizionare i supporti sulla parte alta dei montanti.
3. Come montare i supporti (Fig. 10)
Allentare e rimuovere la vite (A) usando la chiave a stella da 10 mm. Aprire la cerniera per consentire il posizionamento attorno al montante.

NOTA: per i montanti di diametro inferiore a 25 mm usare il distanziale di dimensioni adeguate.

- Fissare ed allineare il supporto al montante dello schienale.
- Stringere le viti di fermo a mano (A).

NOTA: per un allineamento corretto potrebbe essere necessario regolare ulteriormente i supporti lateralmente.

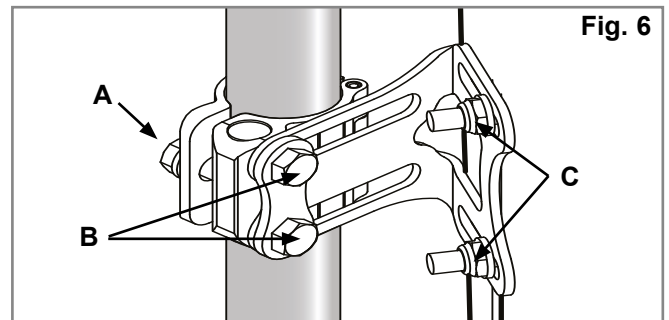


Fig. 6

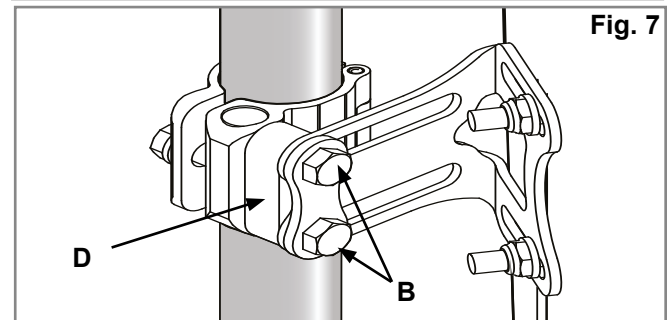


Fig. 7

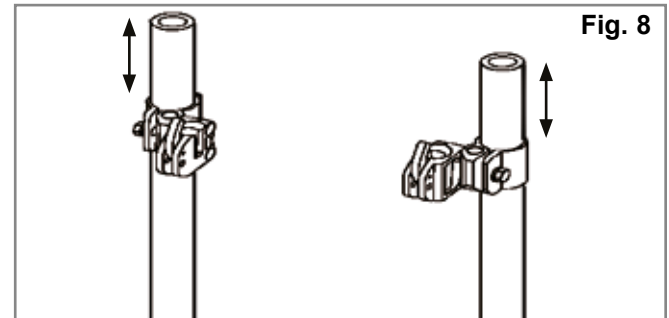


Fig. 8

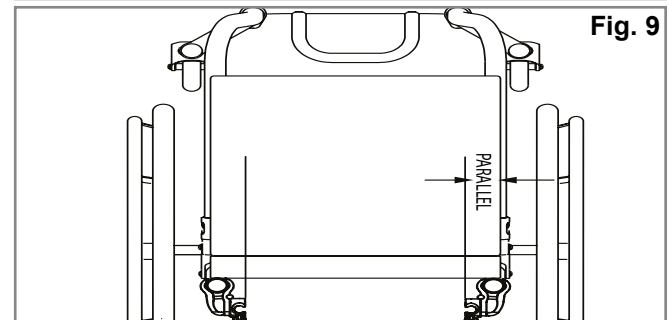


Fig. 9

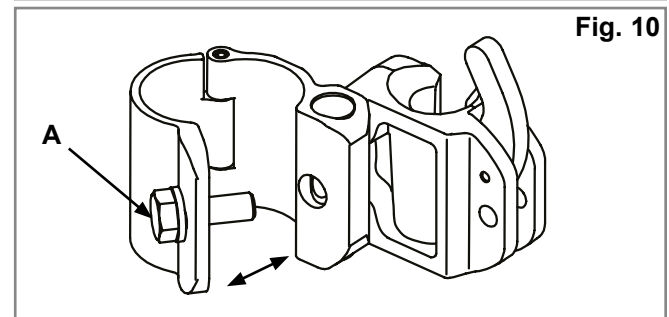


Fig. 10

MONTAGGIO E ALLINEAMENTO DEL GUSCIO DELLO SCHIENALE

(Fig. 11, 12, 13).

- a. Allentare, ma non rimuovere, le viti del perno di montaggio (B) e i dadi della staffa (C) usando la chiave da 10 mm.
- b. Attaccare lo Schienale J3 Carbon ai supporti inserendo i perni nelle sedi, (Fig. 12).
- c. Regolare lo schienale alla posizione, (Fig. 13), profondità, inclinazione e altezza desiderate e stringere a mano le viti (B) e i dadi (C).

NOTA: Per garantire il massimo comfort, potrebbe essere necessario regolare ulteriormente la profondità e l'angolo dello schienale.

- d. Provare a rimuovere lo schienale premendo le leve di sblocco in avanti e staccare lo schienale dalla carrozzina. Per ulteriori informazioni, vedere la sezione relativa alla rimozione e al riposizionamento.) Se i supporti e lo schienale sono allineati correttamente, lo schienale può essere montato e rimosso facilmente.
- g. Se i supporti e lo schienale non sono allineati correttamente, regolarli di conseguenza.
- h. Dopo avere completato l'allineamento, stringere tutti i supporti.

NOTA: Stringere tutti i dadi e le viti solo dopo avere allineato correttamente lo schienale:

Coppia di serraggio raccomandata:

Viti (A) e (B): 11,3 – 12,4 Nm

Dadi (C): 8,5 – 9,3 Nm

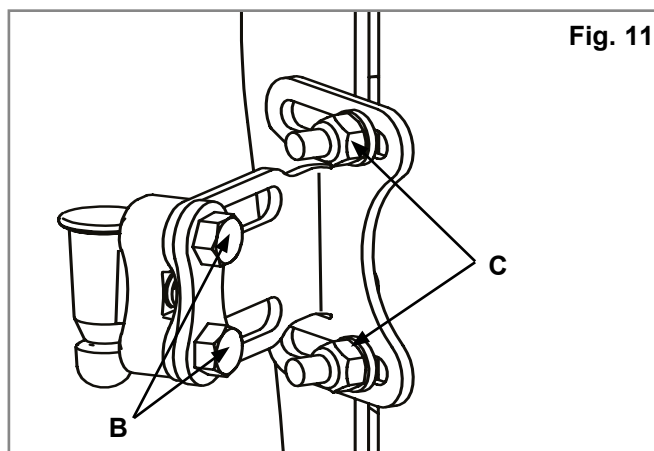


Fig. 11

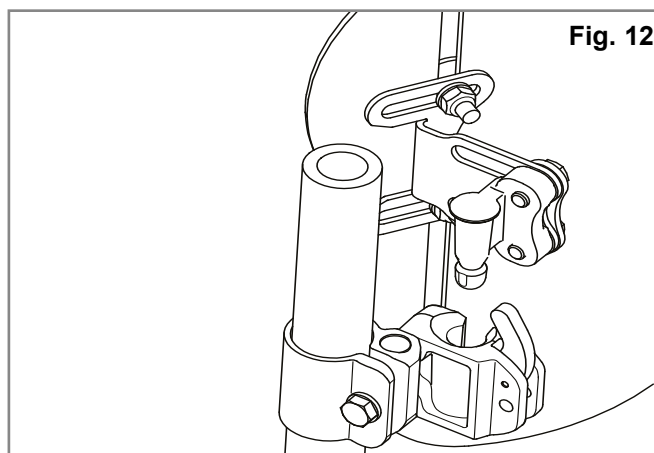


Fig. 12

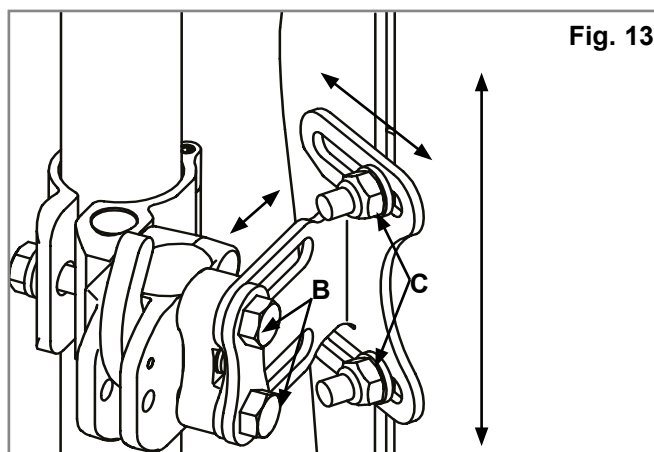


Fig. 13

REGOLAZIONE DELL'ALTEZZA, DELLA PROFONDITÀ E DELL'ANGOLO DELLO SCHIENALE J3

La prima fase dell'installazione dei supporti dello Schienale J3 Carbon è completa.

Fare sedere l'utente sulla carrozzina per regolare lo schienale. Chiedere all'utente di non applicare pressione in quanto lo schienale non è ancora stato stretto completamente secondo i requisiti di serraggio.

1. Regolazione dell'altezza (Fig. 14).

- Con l'utente seduto sulla carrozzina determinare a che altezza si desidera regolare lo schienale. Quindi chiedere all'utente di non applicare pressione e di sporgersi o scivolare parzialmente in avanti, se possibile, per consentire la regolazione dello Schienale J3 Carbon.
- Allentare i dadi della staffa (C) e spostare il guscio dello schienale all'altezza desiderata.
- Stringere bene i dadi della staffa (C) secondo la coppia di serraggio consigliata di 8,5 – 9,3 Nm

NOTA:dopo avere regolato l'altezza, verificare che la larghezza non sia cambiata.

2. Regolazione della profondità/dell'angolo (Figg. 11, 12, 13 e 14).

Sono disponibili due tipi di supporto: il supporto fisso (Fig. 15) e il supporto a sgancio rapido (Fig. 16). Entrambi i supporti sono regolati allo stesso modo. Tuttavia, la profondità del supporto fisso può essere regolata di 4 cm (Fig. 15), mentre la profondità del supporto a sgancio rapido (supporto rimovibile) può essere regolata fino a 2,9 cm (Fig. 16).

- Per regolare la profondità e l'angolo dello Schienale J3 Carbon, allentare le viti destra e sinistra (B) (Fig. 16) sulla staffa.
- Regolare la profondità e/o l'angolo, quindi stringere bene i dadi. Secondo la coppia di serraggio consigliata di 11,3 - 12,4 Nm. Assicurarsi che nessuna delle viti di regolazione della profondità (Fig 16), (B) scivoli o giri.

NOTA:se lo schienale deve essere riposizionato, prima di rimettere le viti si raccomanda vivamente di applicare alla staffa e alle filettature delle viti un frenafili adeguato di media intensità, per es. loctite 243.

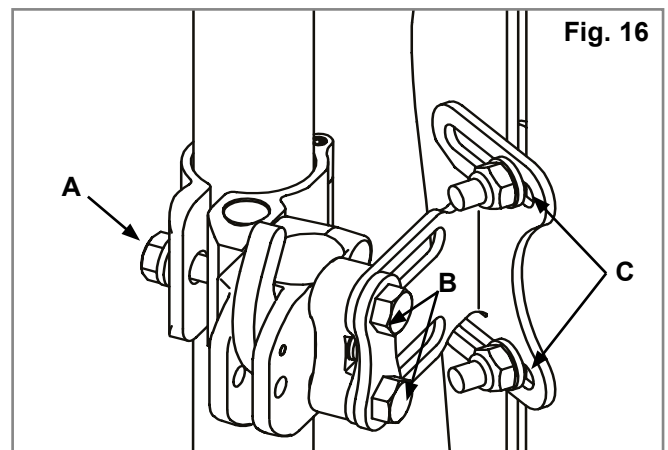
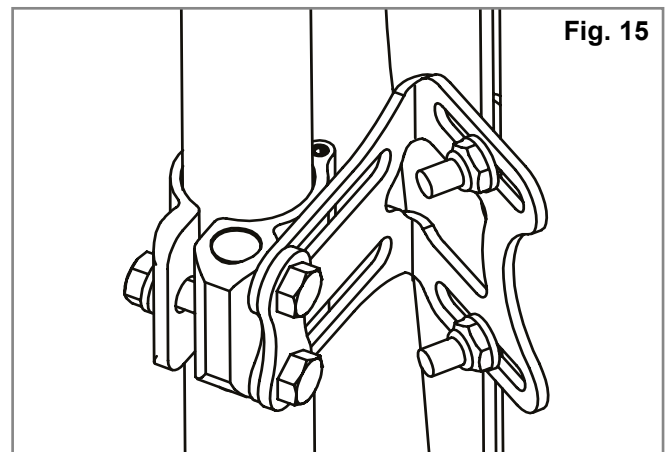
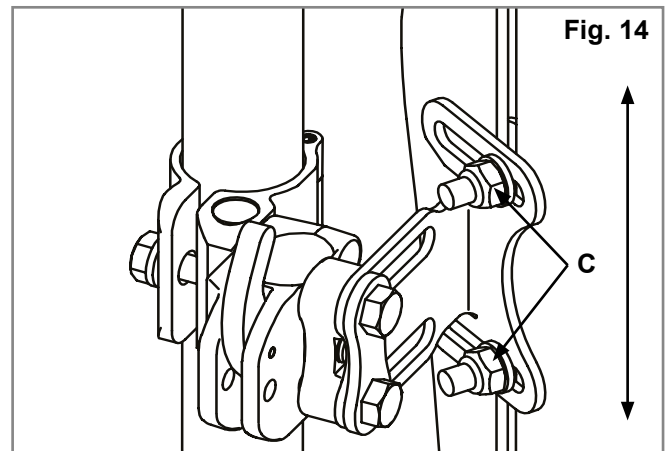
Coppia di serraggio raccomandata:

Viti (A) e (B): 11,3 – 12,4 Nm

Dadi (C): 8,5 – 9,3 Nm

AVVERTENZA!

Dopo avere apportato le regolazioni desiderate, assicurarsi che i supporti siano ben stretti e lo Schienale J3 Carbon sarà pronto per l'uso.



RIMOZIONE E RIPOSIZIONAMENTO

Rimozione – Supporti a sgancio rapido

Dopo l'installazione e la regolazione, lo schienale potrà essere facilmente rimosso dalla carrozzina se necessario. Per rimuovere lo schienale, spingere le leve di sblocco in avanti per sbloccarlo, (Fig. 17). Quindi sollevare lo schienale (Fig. 18) usando la maniglia situata nella parte superiore.

Riposizionamento corretto dopo la rimozione

Per riposizionare lo schienale, allineare i perni ai supporti e inserirli. Se inseriti correttamente, i perni scattano in posizione di blocco, (Fig. 19-20).

AVVERTENZA!

Se non si è sicuri di avere udito lo scatto di blocco, sollevare lo schienale usando la maniglia per verificare che sia bloccato saldamente.

Rimozione – supporti fissi

Se il J3 Carbon è dotato di supporti fissi, seguire i seguenti passaggi prima di rimuovere lo schienale dalla carrozzina:

1. Allentare e rimuovere la vite (A) dal morsetto destro e sinistro usando una chiave da 10 mm.
2. Aprire la cerniera e staccare lo Schienale J3 Carbon, (Fig. 21).

Riposizionamento corretto dopo la rimozione: per riattaccare lo schienale, seguire le istruzioni di installazione descritte in questo manuale (Pagina 9).

Fig. 18

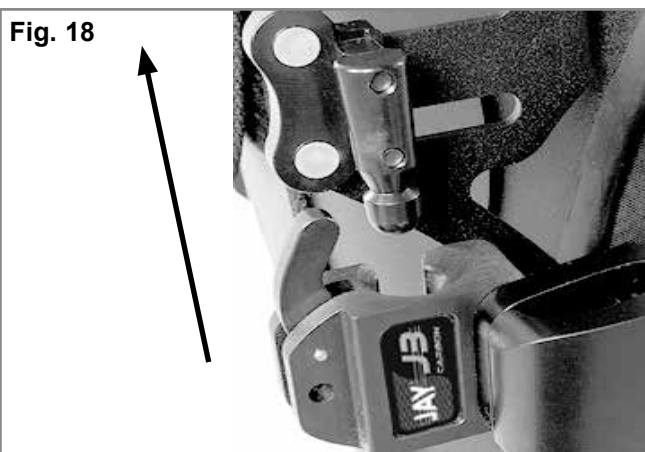


Fig. 19

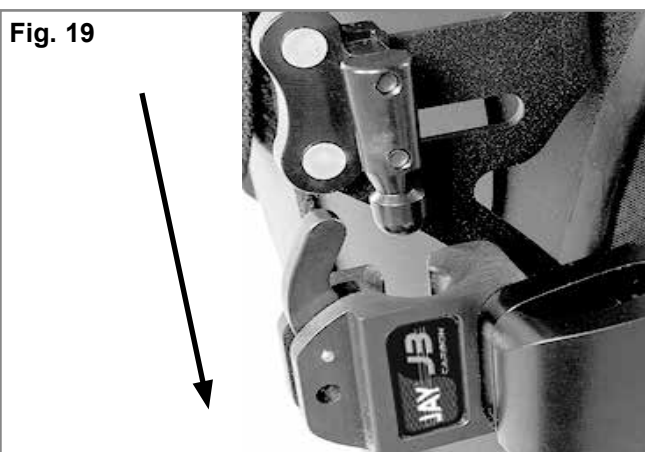


Fig. 20

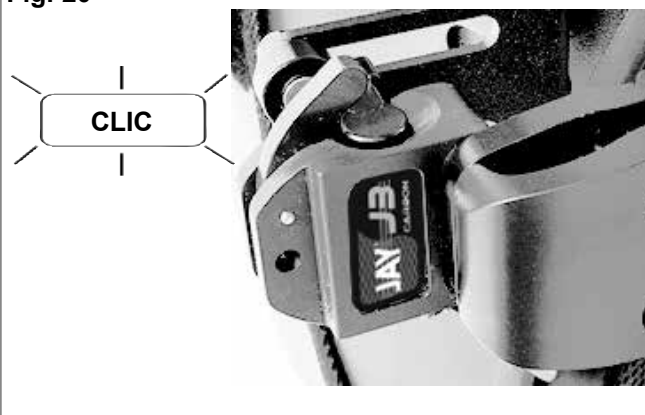
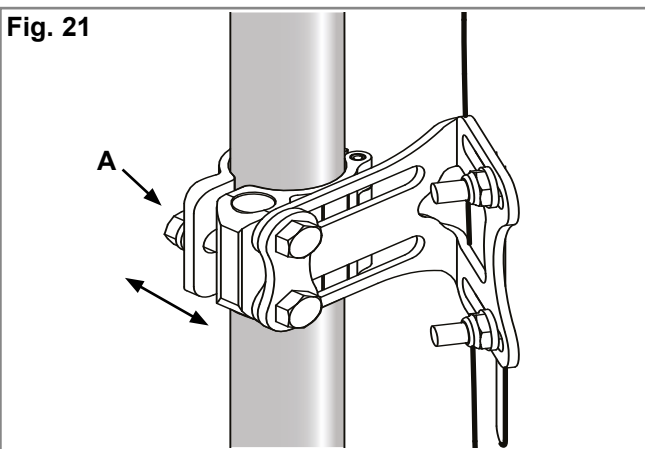


Fig. 17



Fig. 21



APPLICAZIONE DELLA VANITY FLAP

1. Sollevare il risvolto superiore della fodera dello Schienale J3 Carbon (Fig. 22)
2. Far combaciare le due parti del velcro e attaccare la Vanity Flap alla parte posteriore della fodera dello Schienale J3 Carbon (Fig. 23). Riposizionare il risvolto superiore della fodera in modo che la Vanity Flap si trovi tra i due risvolti superiore e inferiore (Fig. 24).
3. Togliere il cuscino dal sedile della carrozzina e inserire l'estremità della Vanity Flap tra la superficie di supporto della carrozzina e il cuscino del sedile (Fig. 25).
4. Regolare la Vanity Flap secondo le necessità spostando l'estremità più in dentro o più in fuori sotto il cuscino. Se necessario, si può spostare anche la parte superiore della vanity flap più in alto o più in basso basso sullo schienale.
5. Inserire le cinghiette in velcro negli anelli corrispondenti sulla Vanity Flap, quindi farle passare attorno al telaio della carrozzina e richiuderle congiungendo le due estremità maschio-femmina (Fig. 26 - 27). Stringere bene per eliminare le fessure esterne sulla Vanity Flap (Fig. 28).



Fig. 24



Fig. 25



Fig. 26



Fig. 22



Fig. 27



Fig. 23



Fig. 28

CONTROINDICAZIONI**⚠️ AVVERTENZA!**

Non usare né prescrivere questo schienale per utenti di peso superiore alla portata massima indicata.

RICICLAGGIO / RIUTILIZZO:**⚠️ AVVERTENZA!**

Rischio di lesioni.

Prima che venga riutilizzato da un altro utente, fare controllare il prodotto da parte di un rivenditore Sunrise Medical per escludere la presenza di danni o segni di usura. Se si rilevano dei danni, **NON UTILIZZARE QUESTO PRODOTTO.**

La mancata osservanza di queste avvertenze può causare lesioni gravi.

Questo prodotto è idoneo per il riutilizzo*: fare ispezionare il guscio, il sistema di aggancio, la schiuma e la fodera da parte di un rivenditore autorizzato Sunrise Medical per escludere la presenza di danni o segni di usura. Se si rilevano dei danni, non riutilizzare il prodotto.

Pulire e disinfettare il guscio, il sistema di aggancio, la schiuma e la fodera secondo le normative locali vigenti. Per assistenza, contattare l'ufficio di controllo competente.

Dopo la pulizia e la disinfezione, fare controllare il guscio, i supporti, la schiuma e la fodera da parte di un rivenditore autorizzato Sunrise Medical per verificare che il processo di pulizia e disinfezione non abbia causato alcun danno.

GARANZIA LIMITATA DI 24 MESI

Tutti gli Schienali J3 Carbon vengono attentamente esaminati e sottoposti a prove per garantirne le prestazioni ottimali. Tutti gli Schienali J3 Carbon sono garantiti privi di difetti di materiale e di fabbricazione per un periodo di 24 mesi dalla data di acquisto, in condizioni di utilizzo normale. Qualora si dovesse riscontrare un difetto di materiale o di fabbricazione nei 24 mesi successivi alla data di acquisto originale, Sunrise Medical effettuerà, a propria discrezione, la riparazione o la sostituzione gratuita.

La presente garanzia non copre forature, strappi o bruciature, né la fodera estraibile del cuscino.

I reclami e le riparazioni saranno gestiti da un rivenditore autorizzato. Ad eccezione delle garanzie esplicite riportate nel presente manuale, sono escluse tutte le altre garanzie, comprese le garanzie implicite di commerciabilità e le garanzie di idoneità per scopi specifici. Non esistono garanzie che vadano oltre la descrizione riportata nella presente garanzia. L'unico rimedio in caso di violazione delle garanzie esplicite definite nel presente manuale è la riparazione o la sostituzione della merce. In nessun caso i danni risultanti dalla violazione della garanzia includeranno gli eventuali danni conseguenti o supereranno il costo della merce non conforme venduta.

Sunrise Medical adviseert een arts of therapeut, met ervaring in zitten en positionering, te raadplegen om te bepalen of het gebruik van een J3 Carbon Rug geschikt is.

⚠WAARSCHUWING!

De rugleuning mag alleen worden gemonteerd door:

- Een erkende Sunrise Medical leverancier.
- Een gekwalificeerde en bevoegde professional in de gezondheidszorg die een toepasselijke training heeft doorlopen bij Sunrise Medical of een erkende leverancier.

WAT IS HET DOEL VAN DE JAY J3 CARBON RUGLEUNING

De Jay J3 Carbon Rugleuning is bedoeld om een ruggesteun te bieden voor een groot aantal verschillende rolstoelgebruikers. De leuning is ontwikkeld om eenvoudige, comfortabele en effectieve steun te bieden om de functie te optimaliseren en de zittolerantie te vergroten. Daarnaast is hij lichtgewicht, duurzaam en gebruiksvriendelijk.

De rugleuning kan op een grote verscheidenheid aan rolstoelen worden geplaatst.

Max. gebruikersgewicht: 125 kg.

De verwachte levensduur van de rugleuning is twee jaar.

⚠WAARSCHUWING!

Het monteren van een rugleuning op de rolstoel kan het zwaartepunt van de rolstoel veranderen. Hierdoor bestaat de kans dat de rolstoel achterover kantelt, wat tot letsel kan leiden.

Controleer altijd of er voorzieningen getroffen moeten worden om te voorkomen dat de rolstoel kantelt, of dat er aangepaste beugels voor mensen met een amputatie gemonteerd moeten worden, om de stabiliteit van de rolstoel te vergroten.

⚠WAARSCHUWING!

Gebruik de J3 Carbon Rugleuning niet om de rolstoel te duwen of op te tillen. Door onjuist gebruik kan de rugleuning onverwachts losraken van de rolstoel.

⚠WAARSCHUWING!

Gebruik niet de handgreep aan de bovenzijde van de J3 Carbon rugleuning om de rolstoel op te tillen. Deze handgreep is uitsluitend bedoeld om de rugleuning te verwijderen.

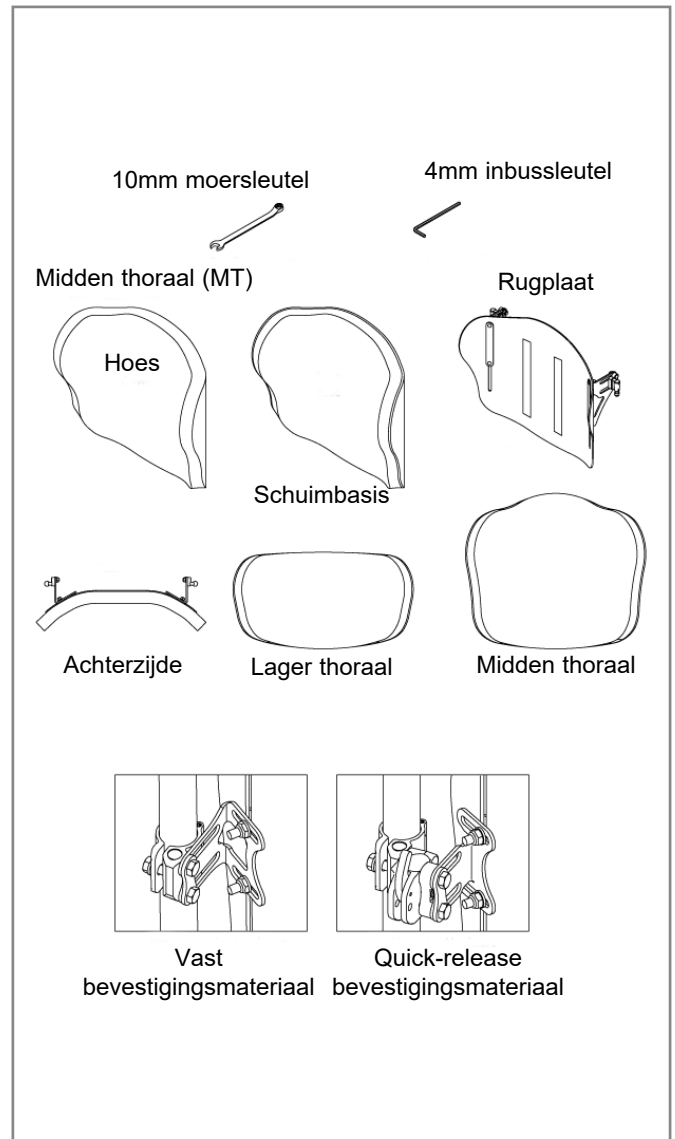
⚠WAARSCHUWING!

Onvoorzichtigheid kan brand veroorzaken.

⚠WAARSCHUWING! 

Lees voor het gebruik de handleiding.

J3 CARBON RUGLEUNING



ONDERHOUD

Sunrise adviseert alle bevestigingsmaterialen ieder half jaar te controleren op slijtage, zoals losse schroeven of gebroken onderdelen. Loszittende schroeven dienen aangedraaid te worden volgens de aanwijzingen voor montage. Alle bevestigingen moeten worden aangedraaid volgens de specificatie die in de montagehandleiding wordt gegeven. Neem direct contact op met uw geautoriseerde Sunrise Medical dealer om gebroken onderdelen te vervangen. Gebruik het systeem niet nadat u hebt vastgesteld dat er loszittende of gebroken onderdelen zijn.

GEMAKKELIJK TE REINIGEN

OPMERKING: Wanneer de rugleuning voor reiniging uit elkaar wordt gehaald, onthoudt de juiste positie van de Spine Aligne elementen zodat de rugleuning weer op de juiste wijze in elkaar gezet kan worden.

Om de rugleuning te reinigen

Maak de hoes los door het klittenband los te maken. Haal de hoes van de rugplaat. Maak de rits aan de onderzijde van de hoes los. Haal het schuim eruit en keer de hoes binnenstebuiten. Sluit de rits, om te voorkomen dat het klittenband zich aan andere materialen hecht. Machinewasbaar in warm water (60°C). Laten uitdruipen of op lage temperatuur in de droogtrommel stoppen.

OPMERKING: Reinig de hoes niet door middel van chemische reiniging of in industriële was- of droogmachines. Reinig de hoes niet door middel van stomen. Niet bleken.

Doe het schuim terug in de hoes. Let op dat de basis twee schuimlagen heeft. Let erop dat de dunnere 'licht grijze' schuimlaag naar de richting van de rugleuning wijst, wanneer u het schuim terug steekt in de hoes. Nadat het schuim goed in de hoes zit, sluit u de rits.

Om de rugplaat te reinigen

De rugplaat kan worden afgenomen met water en zeep. Er is geen ander onderhoud noodzakelijk.

Om de positioneringselementen te laten drogen

Positioneringselementen kunnen worden gereinigd met water en zeep. Dompel de positioneringselementen niet onder water.

Neem contact op met de geautoriseerde Sunrise Medical dealer als u nog vragen heeft met betrekking tot de reinigingsvoorschriften.

Wasvoorschriften	
	Machinewasbaar in warm water (60°C)
	Alleen bleken zonder chloor, wanneer noodzakelijk
	Laten uitdruipen
	Niet strijken
	Niet chemisch reinigen

COMPTABILITEIT

Tabel 1

Rolstoeltypes

De J3 Carbon Rugleuning is zodanig ontworpen dat hij gebruikt kan worden op de meeste rolstoelen, echter met uitzondering van de volgende soorten:

Rolstoelen met een verstelbaar hoekbereik, achteruit kantelen of kantelen, waarbij de rughoek groter is dan 60 graden vanuit de verticale lijn.

⚠WAARSCHUWING!

Wanneer de rug met deze types rolstoel wordt gebruikt, raakt de rugleuning in incidentele gevallen los van de rolstoel. Dit kan leiden tot een val en mogelijk tot ernstig letsel.

Afmetingen van de rolstoel

De J3 Carbon Rugleuning is ontworpen om de bekleding van de rolstoel te vervangen. Bepaal voor installatie of de betreffende rolstoel overeenstemmende rugbuizen heeft door de afmeting tussen de rugbuizen te meten (zie Fig. 1). Wanneer u dit heeft gemeten, gebruikt u Tabel 1 (vaste montage) of Tabel 2 (quick-release), om te bepalen of de rugleuning op uw stoel past.

Controleer vervolgens of de diameter van de rugbuizen past.

Het bevestigingsmateriaal voor de J3 Carbon rugleuning kan worden gemonteerd op rugbuizen met de diameter 3/4" (19mm) (met insteek), 7/8" (22mm) (met insteek), of 1" (25mm) (geen insteek).

Als u niet kunt vaststellen of de rugbuizen qua diameter overeenstemmen, neem dan contact op met uw erkende Sunrise Medical dealer of met de klantenservice van Sunrise Medical.

J3 CARBON RUGLEUNING BREEDTE Vaste bevestiging	Pasring	Breedte van rugbuizen van buitenzijde tot buitenzijde van de buizen (Fig. 1-A)	
		Minimale breedte	Maximale breedte
32 cm	NO	29 cm	33 cm
	JA	31 cm	35 cm
36 cm	NO	34 cm	38 cm
	JA	36 cm	40 cm
41 cm	NO	39 cm	43 cm
	JA	41 cm	45 cm
46 cm	NO	44 cm	48 cm

Tabel 2

J3 CARBON RUGLEUNING BREEDTE Quick Release	Breedte van rugbuizen van buitenzijde tot buitenzijde van de buizen (Fig. 1-A)	
	Minimale breedte	Maximale breedte
32 cm	31 cm	36 cm
36 cm	36 cm	41 cm
41 cm	41 cm	46 cm
46 cm	46 cm	51 cm

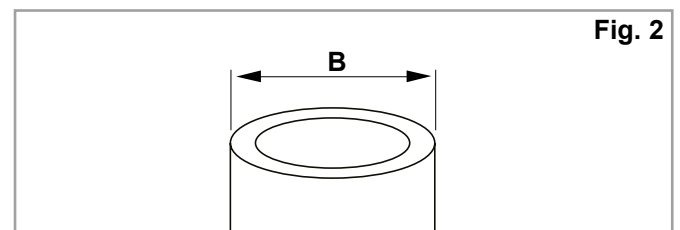


Fig. 2

Tabel 3

J3 Carbon rugleuning breedte	Diameter stang (Fig. 2)			
	Minimale breedte		Maximale breedte	
	Inch	cm	Inch	cm
12,6-18" (32-46 cm)	3/4	1,9	1,0	2,2

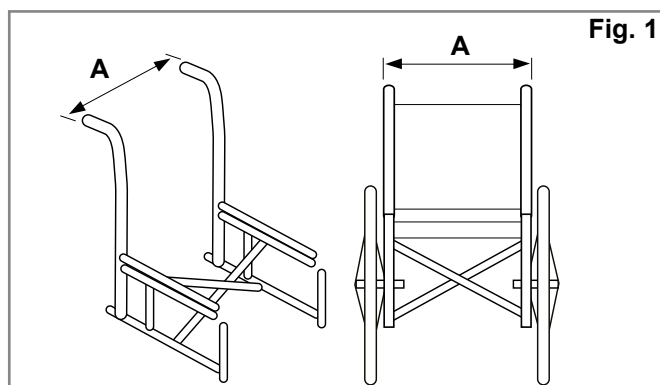


Fig. 1

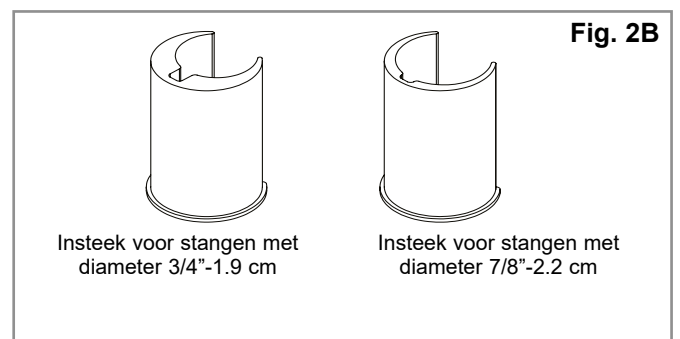


Fig. 2B

Insteek voor stangen met diameter 3/4"-1.9 cm

Insteek voor stangen met diameter 7/8"-2.2 cm

INSTALLEREN VAN BEVESTIGINGSMATERIAAL

Lees onderstaande gebruiksaanwijzing door voor u met het installeren begint.

De J3 Carbon rugleuning kan het beste worden gemonteerd zonder dat er iemand in de rolstoel zit. Wanneer de rugleuning is gemonteerd, kunnen kleine aanpassingen worden gedaan terwijl de gebruiker in de rolstoel zit.

Benodigd gereedschap (wordt meegeleverd met de J3 Carbon rugleuning)*

- 4 mm inbussleutel, (alleen nodig voor de QR rugleuning)
- 10 mm moersleutel.

OPMERKING: Wanneer de vereiste draaikracht (torque) is gespecificeerd, wordt het sterk aanbevolen om met behulp van een draaikrachtsmeter (niet meegeleverd met de Jay3 Rugleuning) te controleren of de juiste instelling is bereikt.

Montage instructies voor het vaste bevestigingssysteem, (Fig. 3, 4, 5).

1. Verwijder de bestaande rugleuning van de rolstoel volgens de instructies van de leverancier.

OPMERKING: Als u een rolstoel met breedte 34cm, 40cm of 44cm hebt, moet u de meegeleverde pasringen gebruiken: Zie de instructies hieronder:

2. Draai de moeren (C) en schroeven (B) met behulp van de meegeleverde 10 mm steeksleutel los, maar verwijder ze niet.
3. Gebruik de 10 mm steeksleutel om schroef (A) los te draaien en te verwijderen. Open het scharnier om het bevestigingsmateriaal om de rugbuis van de rolstoel te plaatsen.
4. Plaats het bevestigingsmateriaal op de gewenste hoogte op de rugbuizen van de rolstoel, sluit het scharnier en draai de scharnierschroef (A) aan. Het bevestigingsmateriaal moet op beide stangen ongeveer op gelijke hoogte zitten. Het is doorgaans beter het bevestigingsmateriaal wat hoger te bevestigen.

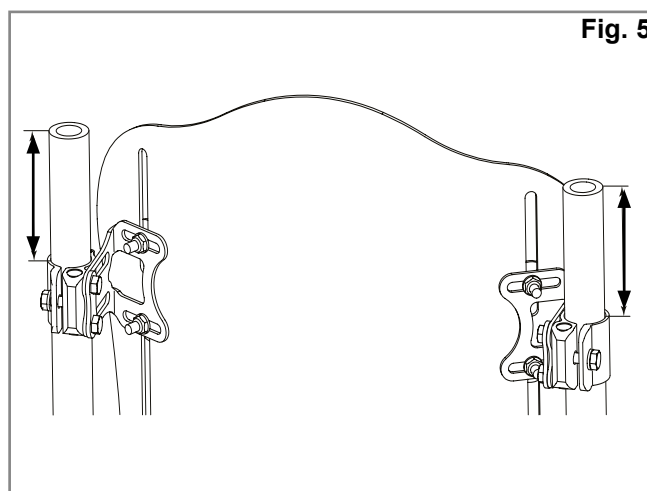
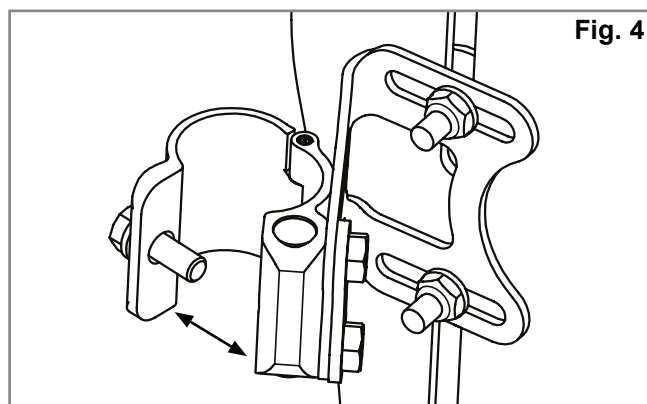
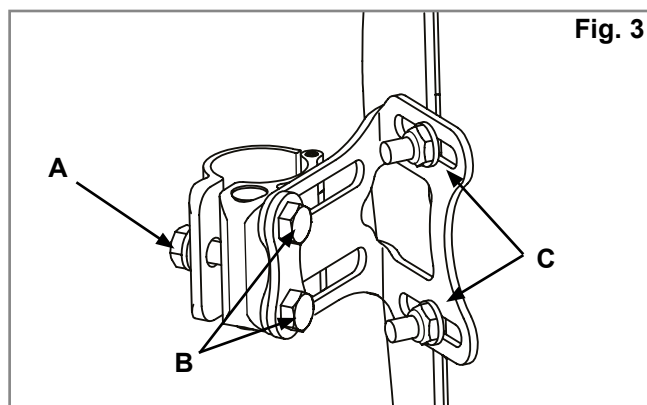
MERK OP: gebruik voor rugbuizen met een diameter kleiner dan 25mm de juiste maat pasring.

5. Pas de rugleuning aan naar de gewenste positie, diepte, hoek en hoogte en draai dan de schroeven (B) en bouten (C) aan.

Draai alle bouten en schroeven aan:

Aanbevolen torquespecificaties:

- Schroeven (A) & (B): 11,3 – 12,4 Nm
- Moeren (C): 8,5 – 9,3 Nm



INSTRUCTIES VOOR INSTALLATIE VAN PASRINGEN:

(Fig. 6, 7).

MERK OP: alleen nodig voor breedtes 34cm, 40cm en 44cm.

1. Verwijder de twee (2) schroeven (B) waarmee de bevestigingsbeugel bevestigd is aan de rugbuis (Fig. 6).

MERK OP: wanneer u deze schroeven verwijdert, komen de stiftschroeven los. Wees klaar om ze op te vangen, zodat ze niet op de grond vallen.

2. Plaats de pasring (D) tussen de beugel en de klemconstructie.
3. Vervang, indien nodig, de stiftschroeven en lijn de gaten uit zodat ze overeenkomen met de schroeven. Bevestig het geheel met de langere (M6 x 25) schroeven die in de kit worden meegeleverd.

INSTALLATIEHANDLEIDING VOOR HET QUICK-RELEASE BEVESTIGINGSSYSTEEM

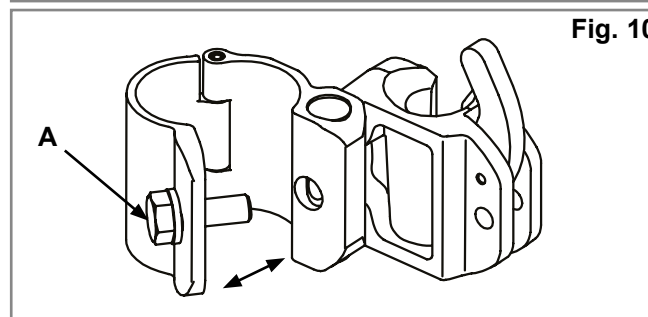
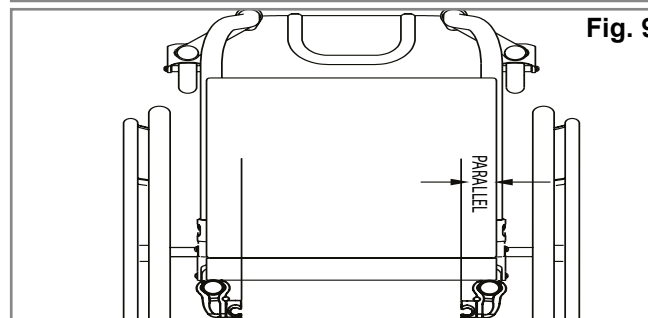
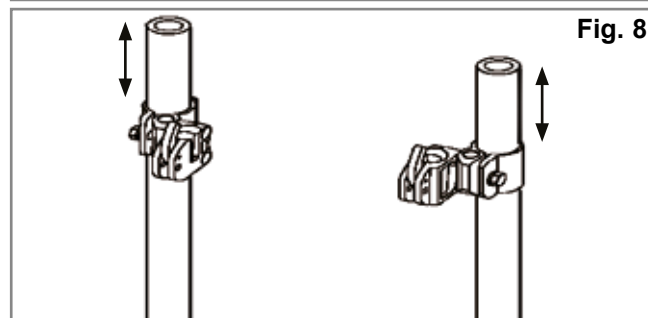
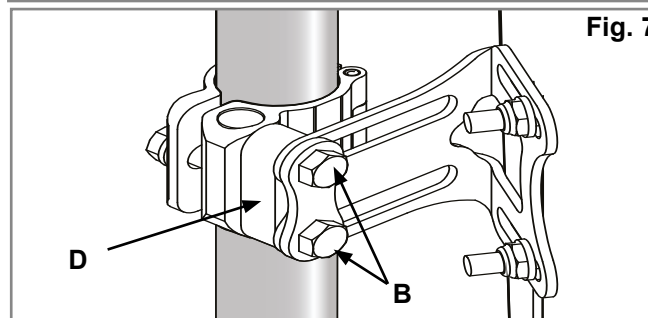
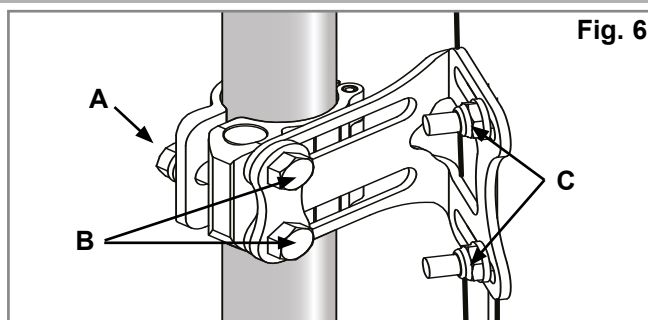
(Fig. 8, 9, 10,).

1. Verwijder de bestaande rugleuning van de rolstoel volgens de instructies van de leverancier.
2. Kijk op welke hoogte de beugels op de rugbuizen van de rolstoel gemonteerd moeten worden. De geïnstalleerde bevestigingsmaterialen moeten ongeveer op gelijke hoogte bevestigd worden op beide buizen aan de achterzijde (Fig. 8) en parallel aan het frame van de zitting (Fig. 9). Een hogere plaats op de rugbuizen is doorgaans beter.
3. Bevestig de bevestigingsbeugels. (Fig. 10) Maak met behulp van de 10 mm steeksleutel schroef (A) los en verwijder deze. Open het scharnier om plaatsing rond de rugbuis van de stoel mogelijk te maken.

MERK OP: gebruik voor rugbuizen met een diameter kleiner dan 25mm de juiste maat pasring.

- Bevestig de beugel en breng deze in lijn met de rugbuizen van de rolstoel.
- Draai de klemmen handmatig aan (A).

OPMERKING: beugels moeten later wellicht lateraal worden aangepast zodat ze goed in lijn zijn.



BEVESTIGING EN UITLIJNING VAN DE RUG-PLAAT

(Fig. 11, 12, 13).

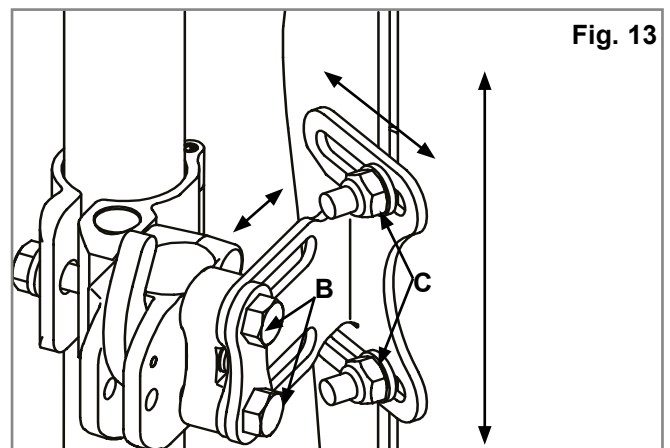
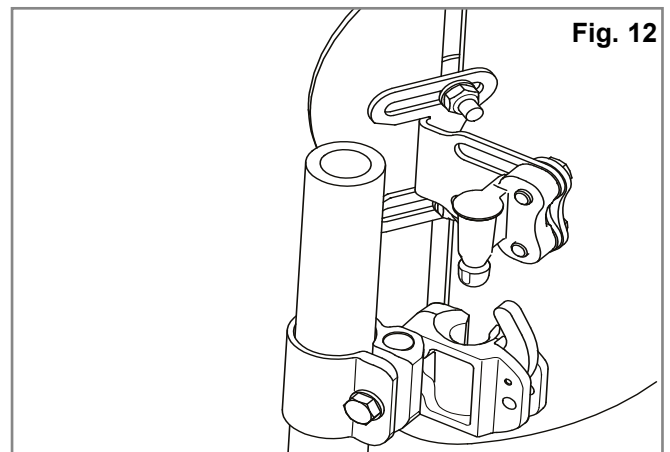
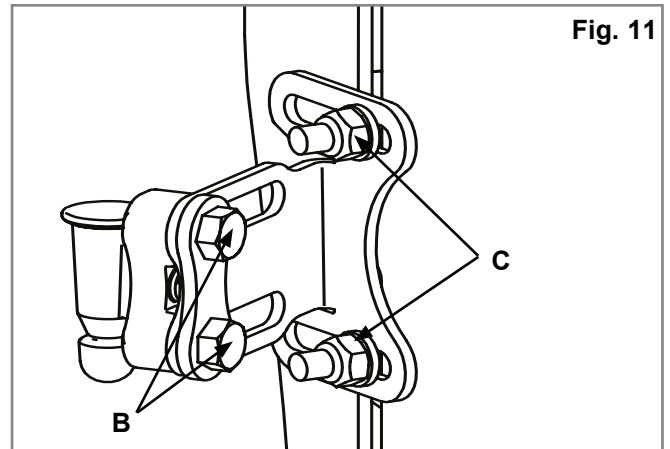
- a. Draai de bouten (B) en beugelmoeren (C) met behulp van de meegeleverde 10 mm steeksleutel los, maar verwijder ze niet.
- b. Bevestig de J3 Carbon rugleuning aan het bevestigingsmateriaal door de bouten in de ontvangers te steken (Fig. 12).
- c. Plaats de rugleuning in de gewenste positie, (Fig. 13), diepte, hoek en hoogte en draai dan de schroeven (B) en bouten (C) met de hand vast.

OPMERKING: De hoek en diepte van de rugleuning moet wellicht nog aangepast worden om optimale pasvorm voor de gebruiker te garanderen.

- d. Test of de rugplaat losgemaakt kan worden door de hendels voorwaarts te duwen en de rugplaat van de stoel te verwijderen. (Zie hoofdstuk Verwijdering en Vervanging voor meer informatie). Wanneer de rugleuning gemakkelijk bevestigd en ontgrendeld kan worden, is de uitlijning van het bevestigingsmateriaal en de rugleuning correct.
- g. Pas de onderdelen zodanig aan dat een goede uitlijning wordt bereikt.
- h. Wanneer alles goed uitgelijnd is, draait u alle schroeven en bouten vast.

OPMERKING: Draai alle schroeven en bouten pas vast wanneer de rugleuning goed is uitgelijnd:

Aanbevolen torque-specificaties:
 Schroeven (A) & (B): 11,3 – 12,4 Nm
 Moeren (C): 8,5 – 9,3 Nm



AANPASSEN J3 HOOGTE, DIEPTE EN HOEK

De eerste fase van de installatie van de J3 Carbon rugleuning is nu klaar.

Dit is het juiste moment om de gebruiker in de stoel te laten plaatsnemen om de J3 rugleuning aan zijn of haar wensen aan te passen. Laat de gebruiker niet met het volle gewicht tegen de rugleuning aanleunen, omdat deze nog niet helemaal volgens de torque-specificaties is aangedraaid.

1. Aanpassing hoogte (Fig. 14).

- Stel, met de gebruiker in de stoel, de optimale hoogte van de rugleuning vast. Laat de gebruiker iets naar voren of opzij leunen, zodat er geen druk op de Carbon rugleuning is. Nu kan de aanpassing gemaakt worden.
- Maak de bouten (C) los en pas de hoogte van de rugplaat aan naar de gewenste positie.
- Draai de bouten weer goed aan. De aanbevolen draaikracht is volgens de specificatie 75 - 85 in-lbs. (8,5 – 9,3 Nm).

OPMERKING:Controleer na de aanpassing van de hoogte of de breedte niet per ongeluk is gewijzigd.

2. Aanpassing diepte/hoek (Fig. 11, 12, 13, 14).

Merk op dat er twee soorten bevestigingsmaterialen besteld kunnen worden - vast bevestigingsmateriaal (Fig. 15) of quick-release bevestigingsmateriaal (Fig. 16). Beide soorten worden op dezelfde wijze aangepast, maar bij het vaste bevestigingsmateriaal kan de diepte 4 cm (1,6") worden aangepast (Fig. 15) terwijl bij het quick release bevestigingsmateriaal (verwijderbaar bevestigingsmateriaal) de diepte met 2,9 cm (1,1") kan worden aangepast (Fig. 16).

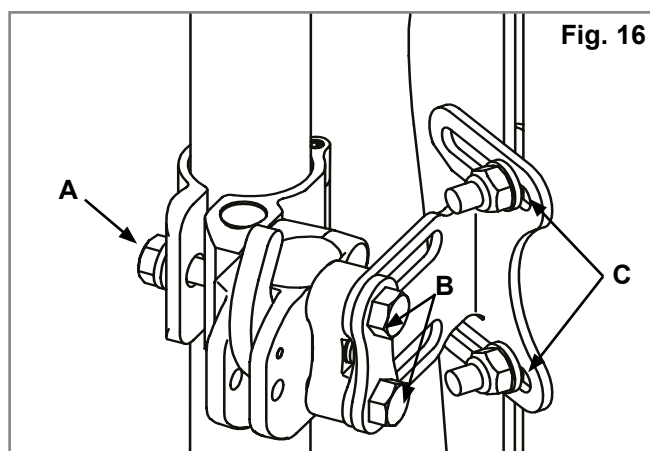
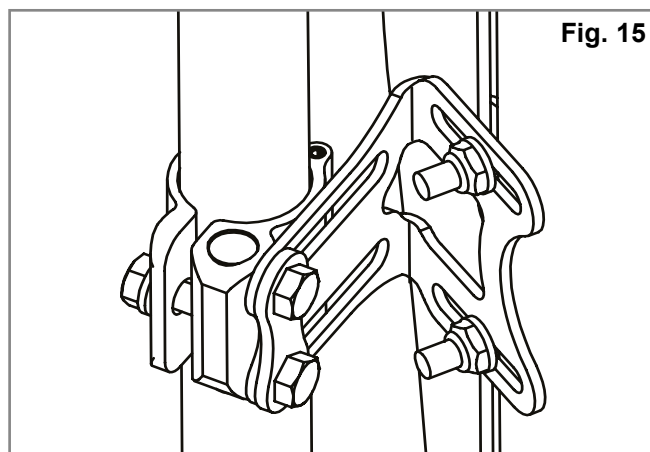
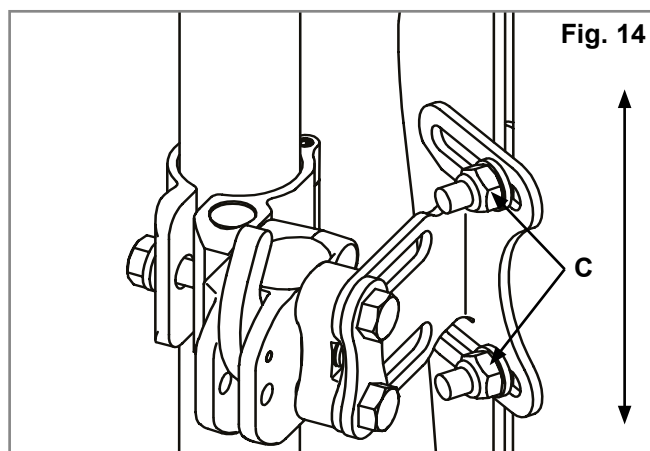
- Om de diepte en hoek van de J3 Carbon rugleuning aan te passen, draait u schroeven (B) (Fig. 16) in de gleuven van de linker- en rechterbeugel los.
- Verstel de diepte en/of hoek en draai de bouten weer goed aan. De aanbevolen draaikracht is volgens de specificatie 100 - 110 in-lbs. (11,3 - 12,4 Nm). Let erop dat geen van de diepteverstelschroeven (Fig. 16) (B), schuift of draait.

OPMERKING:het wordt sterk aanbevolen om een geschikt, gemiddeld sterk schroefdraadborgingsmiddel (bijv. Loctite 243) aan te brengen op de houder en de schroefkoppen, voordat de rugleuning wordt teruggeplaatst.

Aanbevolen torque-specificaties:
Schroeven (A) & (B): 11,3 – 12,4 Nm
Moeren (C): 8,5 – 9,3 Nm

WAARSCHUWING!

Controleer of alle materialen goed bevestigd zijn nadat alle aanpassingen zijn uitgevoerd. Nu is de J3 Carbon rugleuning klaar voor gebruik.



VERWIJDERING EN VERVANGING

Verwijdering - quick-release bevestigingsmateriaal

Na installatie en aanpassing kan de rugleuning, als dat nodig is, gemakkelijk worden verwijderd van de rolstoel. Om te verwijderen, drukt u beide ontgrendelingshendels naar voren om te ontgrendelen (Fig. 17). Als beide hendels in voorwaartse positie staan, tilt u de rugleuning eenvoudig recht omhoog (Fig. 18), met behulp van de handgreep aan de bovenzijde van de rugleuning.

Opnieuw installeren na verwijdering

Om de rugleuning weer in de beugels te bevestigen, houdt u de pennen op gelijke hoogte van de beugels en duwt de rugleuning op zijn plaats. Wanneer de rugleuning op de juiste wijze op zijn plaats wordt geduwd, worden de pennen met een 'klik' vergrendeld (Fig. 19-20).

WAARSCHUWING!

Als u niet zeker bent of u de vergrendelende 'klik' heeft gehoord, trek dan de rugleuning omhoog waarbij u de handgreep gebruikt om te controleren of de rugleuning goed vergrendeld is.

Verwijdering - vast bevestigingsmateriaal

Als uw J3 Carbon rugleuning voorzien is van vast bevestigingsmateriaal, volgt u onderstaande stappen om de rugleuning van de rolstoel te verwijderen:

1. Maak de scharnierschroef (A) van de linker- en rechterklem los met behulp van een 10 mm moersleutel.
2. Open het scharnier en maak de J3 Carbon rugleuning los (Fig. 21).
De juiste herbevestiging na verwijdering. Om de rugleuning opnieuw te bevestigen, volgt u de instructies die in deze handleiding op (bladzijde 9) staan.

Fig. 18

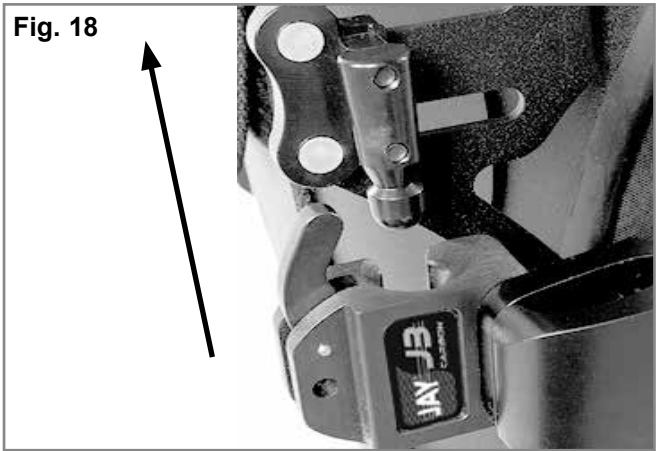


Fig. 19

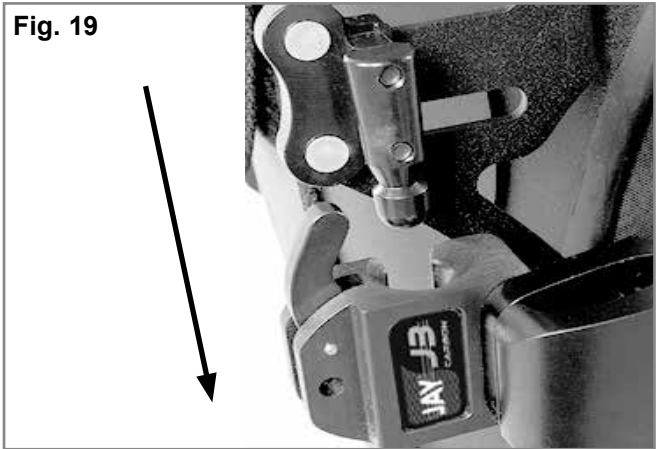


Fig. 20

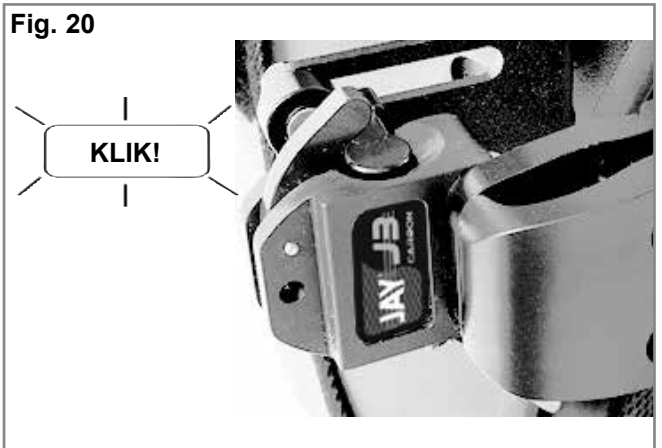
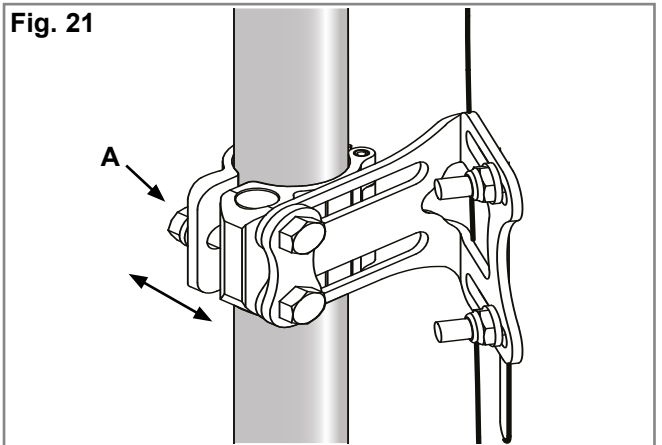


Fig. 17



Fig. 21



BEVESTIGING VAN DE BESCHERMFLAP

1. Til de bovenste flap van de hoesomslag van de J3 Carbon Rugleuning op (Fig. 22)
2. Doe de haak aan de lus en bevestig de beschermflap aan de achterzijde van de hoes van de J3 rugleuning (Fig. 23). Doe de bovenste flap van de hoes op zijn plaats, zodat de beschermflap tussen de bovenste en onderste flap valt (Fig. 24).
3. Verwijder het zitkussen van de rolstoel en stop de 'staart' van de beschermflap tussen de rolstoelbasis en het zitkussen (Fig. 25)
4. Pas de beschermflap zo nodig aan door de 'staart' meer of minder onder het zitkussen vandaan te trekken. Als het nodig is, kan het bovenste deel van de beschermflap hoger of lager op de rugleuning worden geplaatst.
5. Steek de Haak & Lus-banden door de juiste oogjes op de beschermflap, wikkel ze dan rond het rolstoelframe en steek het begin van de band door de gleuf aan het einde van de strip (Fig. 26-27). Trek strak aan en sluit de openingen aan de buitenzijde van de beschermflap (Fig. 28).



Fig. 24



Fig. 25



Fig. 26



Fig. 27



Fig. 28



Fig. 22



Fig. 23

CONTRA-INDICATIES**⚠ WAARSCHUWING!**

Deze rugleuning mag niet worden gebruikt door, of worden voorgeschreven aan, mensen die zwaarder zijn dan het genoemde maximale gebruikersgewicht.

RECYCLING / HERGEBRUIK:**⚠ WAARSCHUWING!**

Gevaar op letsel.

Laat het product altijd door een erkende Sunrise Medical dealer controleren op schade of slijtage voordat het wordt overgedragen aan een andere gebruiker.

GEBRUIK HET PRODUCT NIET als er enige vorm van schade wordt geconstateerd.

Het niet opvolgen van deze waarschuwingen kan leiden tot ernstig letsel.

Dit product is geschikt voor hergebruik*:

Laat de rugplaat, het bevestigingsmateriaal, het schuim en de hoes door een erkende Sunrise Medical dealer controleren op schade of slijtage. Hergebruik het product niet als er enige vorm van schade wordt geconstateerd.

Reinig en desinfecteer de rugplaat, het bevestigingsmateriaal, het schuim en de hoes in overeenstemming met de lokale wet- en regelgeving.

Vraag uw plaatselijke gezondheidsdienst om advies. Laat een erkende Sunrise Medical dealer na reiniging en desinfectie

de rugplaat, het bevestigingsmateriaal, het schuim en de hoes opnieuw controleren om te verzekeren dat het reinigings- en desinfectieproces geen schade heeft veroorzaakt.

BEPERKTE GARANTIE VAN 24 MAANDEN

Iedere Jay J3 Carbon Rugleuning wordt zorgvuldig geïnspecteerd en getest om optimale prestaties te garanderen. Iedere Jay J3 Carbon Rugleuning is gegarandeerd vrij van materiaal- en fabricagefouten voor een termijn van vierentwintig (24) maanden, vanaf de datum van aankoop, bij normaal gebruik. Mocht zich onverhoopt toch een materiaal- of fabricagefout voordoen binnen 24 maanden na de oorspronkelijke aankoopdatum, dan wordt het kussen naar keuze van Sunrise

Medical, kosteloos gerepareerd of vervangen.

Deze garantie is niet van toepassing op gaten, slijtage of brandplekken en is evenmin van toepassing op de verwijderbare hoes.

Vorderingen en reparaties moeten door de dichtstbijzijnde erkende dealer worden afgehandeld. Met uitzondering van de expliciete garanties die hierbij worden gesteld, zijn alle overige garanties, inclusief de garantie dat het product geschikt is voor het doel waarvoor het wordt aangeschaft, uitgesloten. Er zijn geen garanties die zich verder uitstrekken dan de beschrijving die hier wordt gegeven. Genoegdoening voor schending van expliciet hierin gestelde garanties zijn beperkt tot reparatie of vervanging van de producten. Schadevergoeding voor schending van garanties omvat in geen geval vervolgschade en is nooit hoger dan de aanschafprijs van de producten die niet voldoen.

Sunrise Medical rekommenderar att en läkare eller arbetsterapeut med stor erfarenhet av sitsar och positionering i rullstol, rådfrågas för att avgöra om ett J3 Carbon ryggstöd är lämpligt.

⚠ VARNING!

Ryggstöd skall endast installeras av:

- Behörig Sunrise Medical-leverantör.
- En kvalificerad och kompetent yrkesperson inom hälsovård som har genomgått lämplig utbildning antingen av sunrise medical eller en godkänd leverantör.

AVSETT BRUK FÖR JAY J3-CARBON-RYGGDYNA

Jay J3-Carbon-ryggdyna är avsett att passa som stöd för ryggen för en bred grupp rullstolsanvändare. Det är utformat för att ge enkelt, bekvämt och effektivt stöd som bidrar till att fungera i vardagen så att brukaren kan sitta längre perioder. Det är lätt, mycket hållbart och enkelt att använda.

Ryggstödet kan monteras på ett stort antal rullstolar.

Högsta användarvikt: 125 kg (275 lbs).

Den beräknade livslängden för ryggstödet är 2 år.

⚠ VARNING!

Montering av ryggstöd på en rullstol kan påverka rullstolens tyngdpunkt och kan leda till att den tippar bakåt med risk för ev. personskada.

Undersök alltid om det finns behov av tippskydd eller behov av amputationsblock vilket skulle kunna förbättra stabiliteten.

⚠ VARNING!

Använd ej J3 Carbon ryggdyna för att skjuta på eller lyfta rullstolen. Felaktig användning kan få ryggstödet att oväntat lossa från rullstolen.

⚠ VARNING!

Använd inte J3 Carbon rygghandtag för att lyfta rullstolen. Det är endast avsett för avlägsnande av ryggstödet.

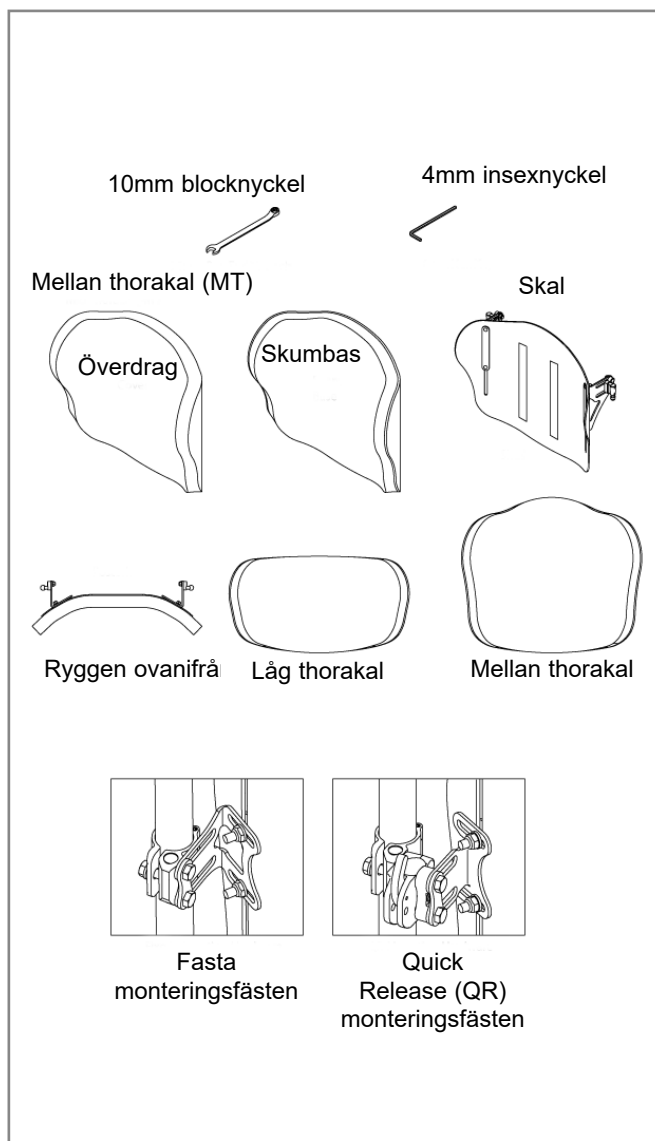
⚠ VARNING!

Vårdslöshet kan leda till eldsvåda.

⚠ VARNING!

Läs bruksanvisningen före användning.

J3 KOLFIBER-RYGG



UNDERHÅLL

Sunrise rekommenderar att alla fästanordningar kontrolleras med avseende på slitage hos exempelvis lösa bultar eller trasiga komponenter var 6:e månad. Lösa fästelement dras åt enligt monteringsanvisningarna. Alla beslag ska dras åt med, i monteringsanvisningen, angivet moment. Kontakta omedelbart din auktoriserade Sunrise Medical-leverantör om någon del är trasig och behöver bytas ut. Använd inte hjälpmedel som du konstaterat har lösa eller trasiga delar.

ENKEL RENGÖRING

OBS: När ryggstödet tas isär för rengöring, anteckna läget för Velcro® ryggradsuppriktningsdelen så att den kan sättas tillbaka korrekt.

Rengöring av ryggdynans överdrag

Avlägsna överdraget genom att dra isär korbörren. Lossa överdraget från ryggskalet. Leta upp och öppna blixtlåset i överdragets botten. Ta ut skumgummit och vänd överdraget ut och in. Dra för säkerhets skull igen dragkedjan för att undvika revor. Maskintvätta i varmt vatten (60° C) Droptorka eller tumla torrt på låg värme.

OBS: Överdraget får inte kemtvättas eller rengöras i industriella tvätt- och torkmaskiner. Autoklavera inte med ånga. Använd inte blekmedel.

Sätt tillbaka skumgummit i överdraget. Observera att basen har två skumlager. Säkerställ vid insättandet att det tunnare "ljusgrå" skummet är vänt mot skalet. När skummet är säkrat i överdraget, stängs det med blixtlåset.






Rengöring av ryggskalet

Ryggskalet skall torkas rent med tvål och vatten. Det krävs ej något ytterligare underhåll.

Rengöring av positioneringskomponenter

Positioneringskomponenter kan torkas rena med trasa och tvål & vatten. Doppa inte positioneringskomponenter i vatten.

Om du har ytterligare frågor om rengöringsprocedurer, kontakta er hjälpmedelscentral.

Tvättsymboler	
	Maskintvätta i varmt vatten (60° C)
	Endast klorfritt blekmedel, vid behov
	Droptorka
	Stryk inte
	Kemtvätta inte

FASTSTÄLLANDE AV KOMPATIBILITET

Rullstolstyper

J3 Carbon ryggdyna är avsett att vara kompatibel med de flesta rullstolar, med följande undantag:

Rullstolar, som är justerbara i vinkel, fälls tillbaka eller tiltas med ett resultat där ryggstödvinkeln blir större än 60 grader, skall ej användas.



Användning av sådana typer av rullstolar kan leda till att ryggstödet av en händelse lossnar från rullstolen och resulterar i fall och risk för allvarlig personskada.

Rullstolsdimensioner

J3 Carbon ryggdyna är avsett att ersätta rullstolens ryggklädsel. Fastställ före installation om den använda rullstolen har kompatibla ryggrör genom att mäta bredden mellan dina ryggrör, som visat i figur 1. Med den mätningen, se tabell 1, (fast montering) eller tabell 2, (quick release), för att avgöra om ryggdynan passar i stolen.

Kontrollera därefter om ryggrören har jämförbar diameter.

J3 Kolfiber-ryggens monteringsfästen kan monteras på rullstolens ryggrör som i diameter mäter 19 mm (med distans), 22 mm (med distans) eller 25 mm (utan distans).

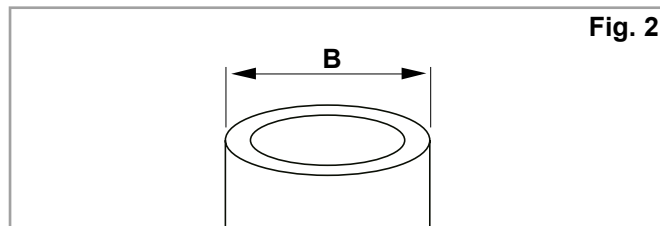
Om du inte kan fastställa att ryggrören är kompatibla skall kontakt tas med auktoriserad återförsäljare av Sunrise Medicals produkter eller med deras kundservice.

Tabell 1

J3 KOLFIBER-RYGG BREDD Fast montering	Distans	Bredd på ryggrör från utsida till utsida av rör, (Fig. 1-A)	
		Min. bredd	Max. bredd
32 cm	NEJ	29 cm	33 cm
	JA	31 cm	35 cm
36 cm	NEJ	34 cm	38 cm
	JA	36 cm	40 cm
41 cm	NEJ	39 cm	43 cm
	JA	41 cm	45 cm
46 cm	NEJ	44 cm	48 cm

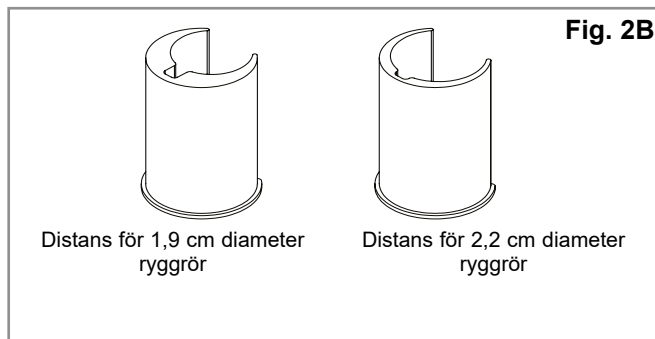
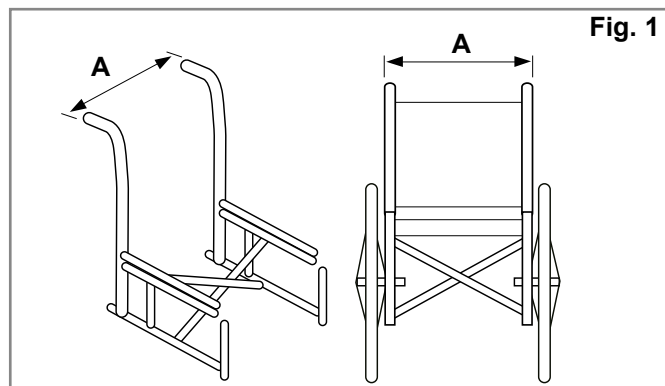
Tabell 2

J3 KOLFIBER-RYGG BREDD Quick Release	Bredd på ryggrör från utsida till utsida av rör, (Fig. 1-A)	
	Min. bredd	Max. bredd
32 cm	31 cm	36 cm
36 cm	36 cm	41 cm
41 cm	41 cm	46 cm
46 cm	46 cm	51 cm



Tabell 3

J3 Kolfiber-rygg Bredd	Rördiameter (Fig. 2)			
	Min. bredd Tum		Max. bredd Tum	
12,6-18" (32-46 cm)	3/4	1,9	1,0	2,2



MONTERING AV FÄSTDETALJER

Läs följande instruktioner innan montering påbörjas. Vid montering av J3 Carbon ryggdyna är det bäst att börja utan brukaren sittande i rullstolen. När monteringen är klar och smärre injusteringar behövs kan brukaren sättas tillbaka i rullstolen.

Verktyg som behöver (medföljer J3 Carbon ryggdyna)*

- 4 mm insexnyckel, (krävs endast för QR fäste)
- 10 mm skiftnyckel.

OBS:Varhelst vridmomentsinställningar specificeras, rekommenderas det att en momentmätare (ingår inte i Jay3 ryggen) används för att verifiera att korrekt specifikation av vridmoment uppnås.

Montering av fästdetaljer. (Fig 3, 4, 5).

1. Demontera rullstolens befintliga ryggstöd enligt tillverkarens instruktioner.

OBS:Om din rullstolsbredd är 34 cm, 40 cm eller 44 cm, kommer du att behöva montera distanser: Se nedanstående instruktioner:

2. Använd den medföljande 10 mm skiftnyckeln, lossa, men ta inte bort muttrar (C) och skruvar (B).
3. Använd 10 mm skiftnyckeln, lossa och ta bort skruv (A), öppna fästet för att ge utrymme för placering kring rullstolens ryggrör.
4. Positionera monteringsfästen i önskad höjd på rullstolens ryggrör och stäng sedan fästet samt spänn skruven (A). Monteringsfästena bör vara ungefär på samma höjd på vardera ryggrör. Högre lägen är generellt sett bättre.

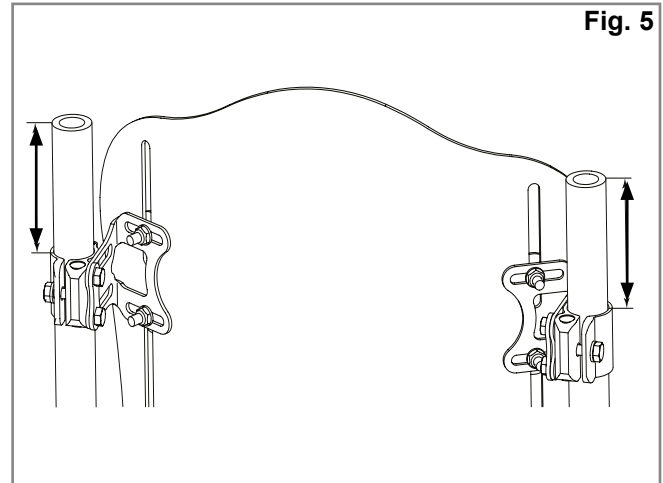
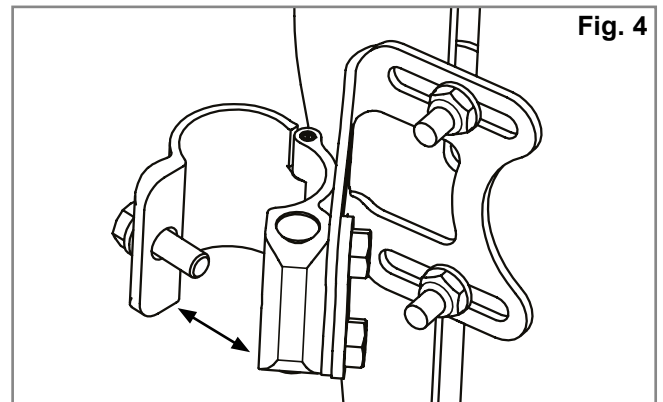
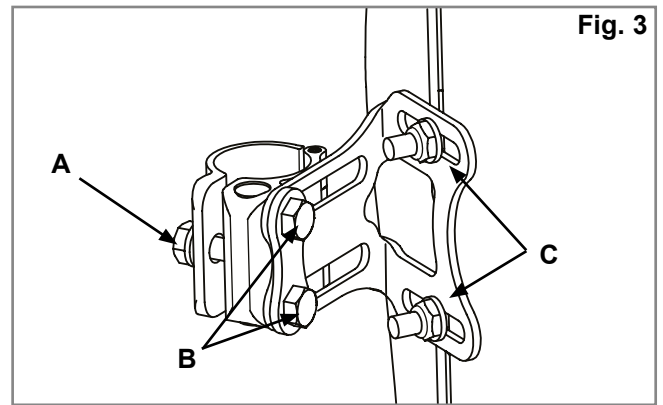
OBS! för ryggrörsdiameter mindre än 25 mm, använd distansbricka i lagom storlek.

5. Justera ryggdyna till önskat läge, djup, lutning och höjd och dra sedan åt skruvar (B) och muttrar (C).

Dra åt alla muttrar och skruvar:

Rekommenderade vridmomentsspecifikationer:

- Skruvar (A) & (B): 11,3 – 12,4 Nm
- Muttrar (C): 8,5 – 9,3 Nm



DISTANSER MONTERINGSINSTRUKTIONER:

(Fig. 6, 7).

OBS! krävs endast för 34 cm, 40 cm & 44 cm bredd.

1. Avlägsna de två (2) skruvar (B) som håller ihop fästet med ryggrörsfästet, (Fig.6).

OBS! när du tar bort dessa skruvar, kommer hylsmuttrar att vara lösa. Var redo att fånga dem, så att de inte faller till marken.

2. Placera brickan (D) mellan fästet på ryggen och ryggrörsfästet.

3. Byt ut hylsmuttrar och se till att hålen matchar skruvarna. Fäst genom att använda de längre (M6 x 25) skruvarna inkluderade i satsen.

MONTERINGSINSTRUKTIONER FÖR QUICK RELEASE FÄSTE

(Fig. 8, 9, 10,).

1. Demontera rullstolens befintliga ryggstöd enligt tillverkarens instruktioner.
2. Fastställ önskad placering för fästena på stolens ryggrör. Monteringsfästena bör vara på ungefär samma höjd på vardera ryggrör (Fig. 8) och parallellt i förhållande till sitsramen, (Fig. 9). Högre placering på ryggrören är generellt bättre.
3. Montera fästena. (Fig. 10)
Med medföljande 10 mm skiftnyckel, lossa och ta bort skruv (A), öppna fästet för att ge utrymme runt rullstolens ryggrör.

OBS! för ryggrörsdiameter mindre än 25 mm, använd distansbricka i lagom storlek.

- Montera och rikta upp fästena på ryggrören.
- Handdra tvingskruvarna (A).

OBS: Fästena kan behöva ytterligare lateral justering för att säkerställa korrekt uppriktning.

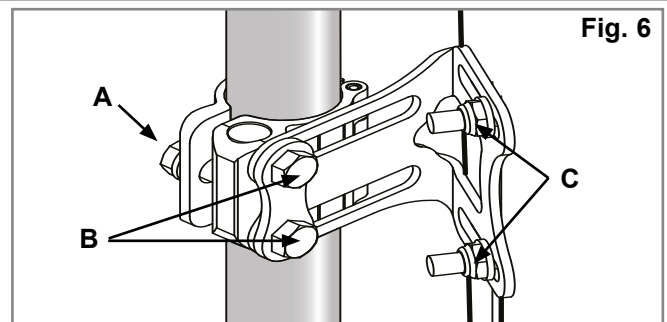


Fig. 6

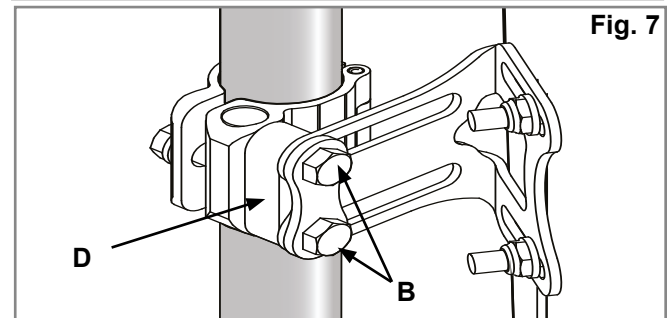


Fig. 7

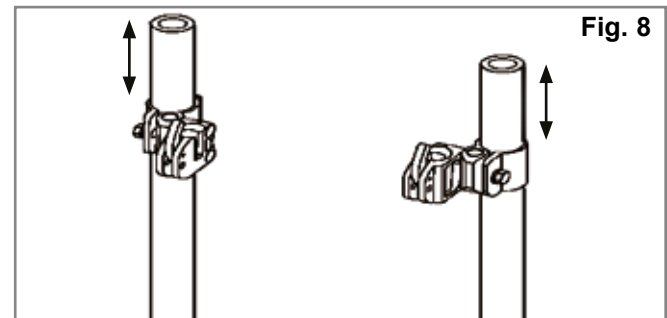


Fig. 8

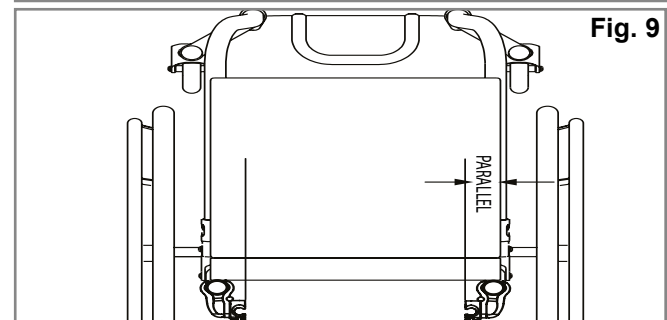


Fig. 9

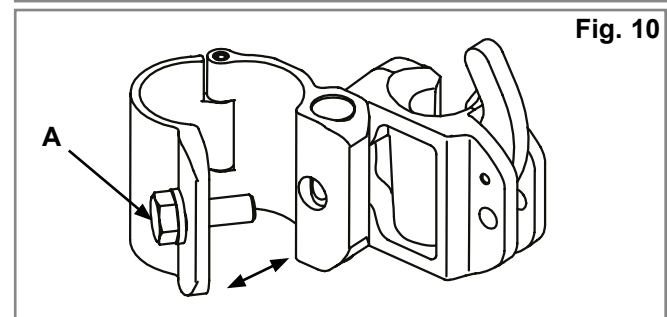


Fig. 10

MONTERING OCH JUSTERING AV RYGGSKAL

(Fig. 11, 12, 13).

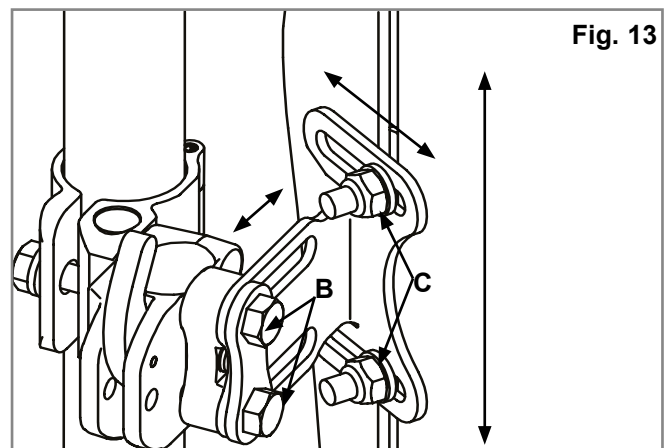
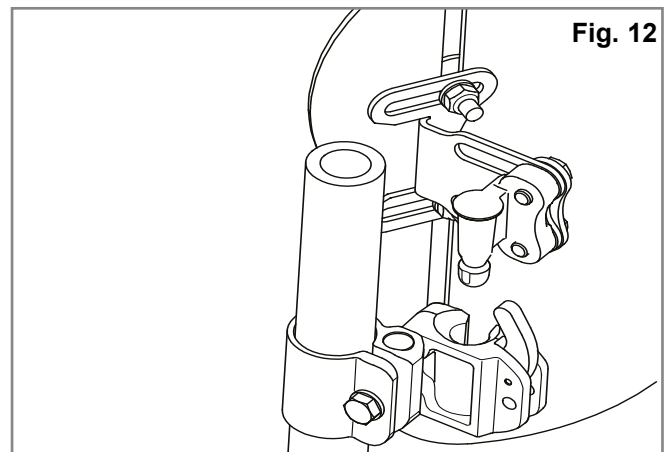
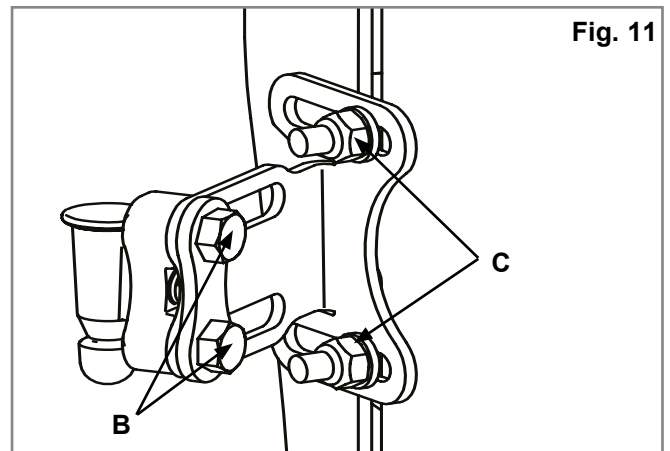
- Använd 10 mm nyckel, lossa men ta inte bort Monteringsstiftskruvar (B) och hylsmuttrar (C).
- Fäst J3 kolfiber-ryggen i fästena genom att sticka ner stiften i hållaren, (Fig. 12).
- Justera ryggdynan till önskad position, (Fig.13), djup, lutning och höjd och handdra sedan skruvar (B) och muttrar (C).

OBS:Ryggstödetets djup och vinkel kan behöva ytterligare justering för att säkerställa korrekt anpassning för användaren.

- Testa frigöringen genom att trycka frigöringsspakarna framåt och ta bort ryggstödet från stolen. (Se avsnittet om borttagande och utbyte för mer information.) Korrekt inriktning av monteringsfästen och ryggdyna uppnås när smidig fastsättning och frigöring kan göras enkelt.
- Om korrekt uppriktning inte föreligger, justera komponenterna till dess att de riktats upp korrekt.
- När de är korrekt inriktade, dra åt alla monteringsfästen.

OBS:Dra åt alla muttrar och skruvar endast när ryggdynan är korrekt inriktad:

Rekommenderade specifikationer för vridmoment:
 Skruvar (A) & (B): 11,3 – 12,4 Nm
 Muttrar (C): 8,5 – 9,3 Nm



JUSTERING AV HÖJD, DJUP OCH VINKEL FÖR J3

Den första fasen av monteringen för J3 Carbon ryggstöd är nu avklarad.

Det är nu rätt tid att låta användaren sätta sig i stolen för personlig anpassning av ryggstödet. Låt inte användaren anlägga fullt tryck på ryggstödet, eftersom det inte ännu är åtdraget med fullt moment.

1. Höjdjustering (Fig. 14).

- Fastställ önskad höjd för ryggstödet med användaren sittande i stolen. Så snart det är uppnått, se till att användaren avlägsnar trycket från J3 kolfiber-ryggen genom att luta eller glida delvis framåt om möjligt för att se till att justeringen sker.
- Lossa muttrarna (C) och justera höjden för ryggskalet till önskat läge.
- Dra åt muttrarna (C) ordentligt. Rekommenderat åtdragningsmoment är 75 - 85 in-lbs. (8,5 - 9,3 Nm).

OBS:Kontrollera efter höjdjusteringen att bredden inte oavsiktligt ändrats.

2. Djup/Vinkeljustering (Figurer 11, 12, 13 och 14).

Observera att det finns två typer av monteringsfästen som kan beställas– fasta monteringsfästen (Fig. 15) eller quick release-monteringsfästen (Fig. 16). Båda satser av monteringsfästen justeras på samma sätt, men de fasta monteringsfästena tillåter 4 cm djupjustering (Fig. 15) medan quick release monteringsfästen (avtagbara monteringsfästen) tillåter totalt 2,9 cm justering av djupet (Fig. 16).

- För att justera J3 kolfiber-ryggens djup och vinkel, lossa vänster och höger skruvar (B)-(Fig. 16) på fästets spår.
- Justera djup och/eller vinkel och dra åt ordentligt. Rekommenderat åtdragningsmoment är 100 - 110 in-lbs. (11,3-12,4 Nm). Se till att inga av djupjusteringsskruvarna (Fig 16), (B), kommer att glida eller rotera.

OBS:Före omplacering av skruvarna rekommenderas en lämplig medelstark gänglåsning, t.ex. rekommenderas loctite 243 starkt för hållare och skruvspår, om ryggstödet behöver omplaceras.

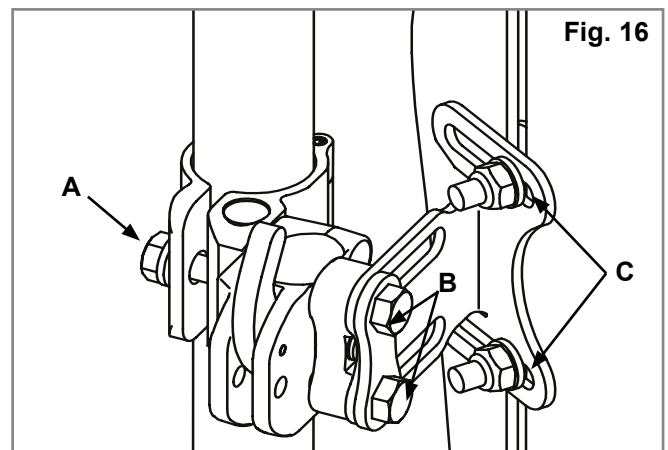
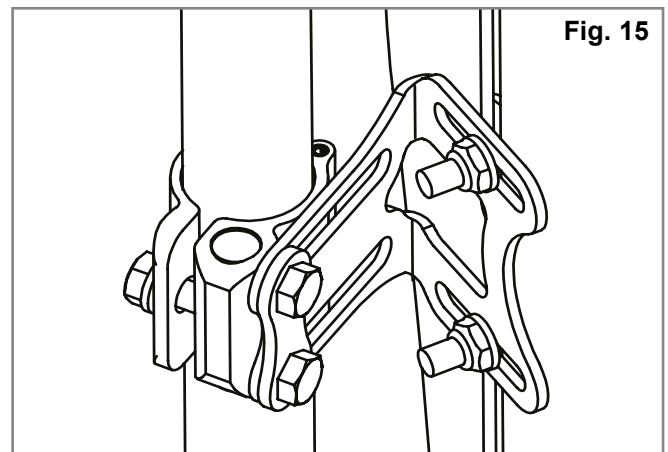
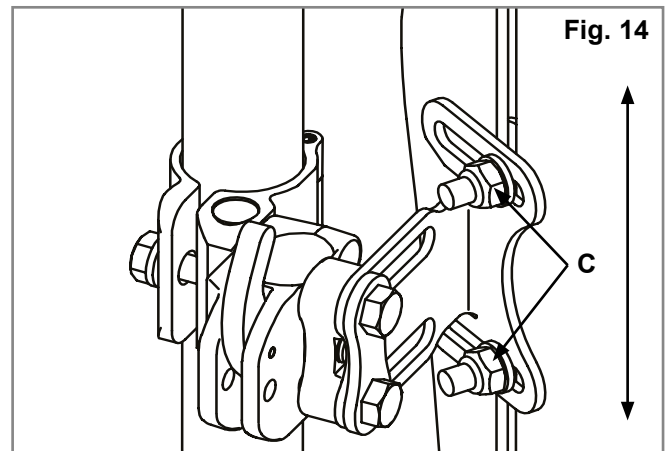
Rekommenderade specifikationer för vridmoment:

Skruvar (A) & (B): 11,3 – 12,4 Nm

Muttrar (C): 8,5 – 9,3 Nm

WARNING!

Säkerställ att alla fixturer är korrekt åtdragna sedan alla justeringar utförts, sedan är ryggstöd J3 Carbon klart att användas.



BORTTAGNING OCH OMLACERING

Borttagning – quicki release monteringsfästen

Efter montering och justering kan ryggstödet enkelt avlägsnas från rullstolen vid behov. För att avlägsna, tryck respektive frigöringsspak framåt för att låsa upp, (Fig. 17). Så snart båda spakar är i framåtläge, lyft helt enkelt upp ryggdynan rakt upp, (Fig. 18), genom att använda handtaget lokaliserat högst upp på ryggdynan.

Korrekt återfästning efter borttagande

Fäst ryggstödet i hållarna genom att sätta i stiften och trycka på plats. Om de är korrekt insatta kommer stiften att "klicka" till en stängd position, (Fig. 19-20).

VARNING!

Om du inte säkert hört låsklicket, dra i ryggstödshandtaget för en kontroll.

Avlägsnande – fasta monteringsfästen

Om din J3 kolfiber-rygg har fasta monteringsfästen, följ nedanstående steg för att ta bort den från rullstolen:

1. Lossa och avlägsna gångjärnets skruv (A) från vänster och höger klämma genom att använda 10 mm nyckel.
2. Öppna fästet och lossa J3 kolfiber-ryggen, (Fig. 21). För korrekt återmontering efter borttagande för att återmontera ryggdynan, följ monteringsinstruktionerna som de beskrivs i denna manual (sida 9).

Fig. 18

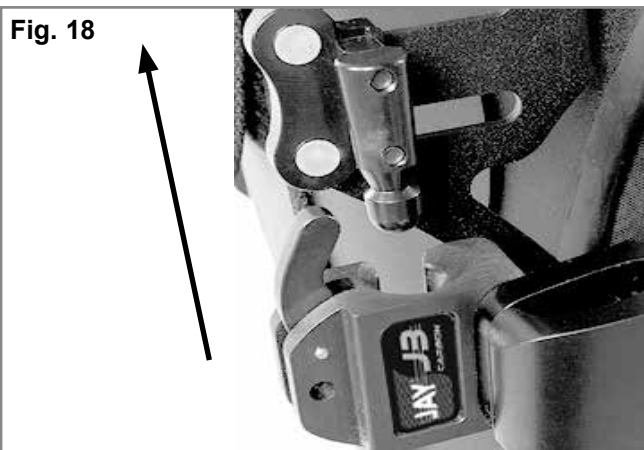


Fig. 19

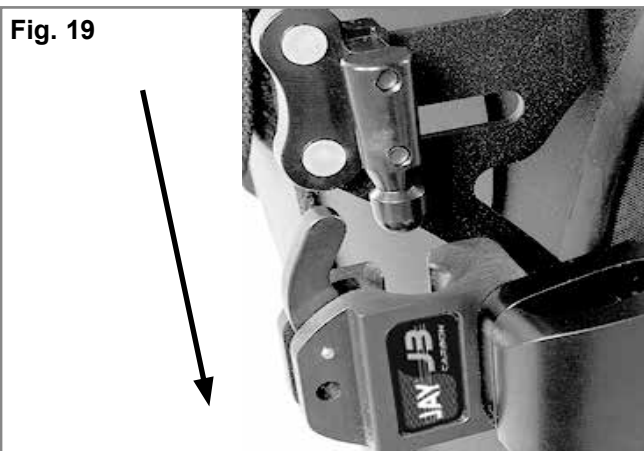


Fig. 20

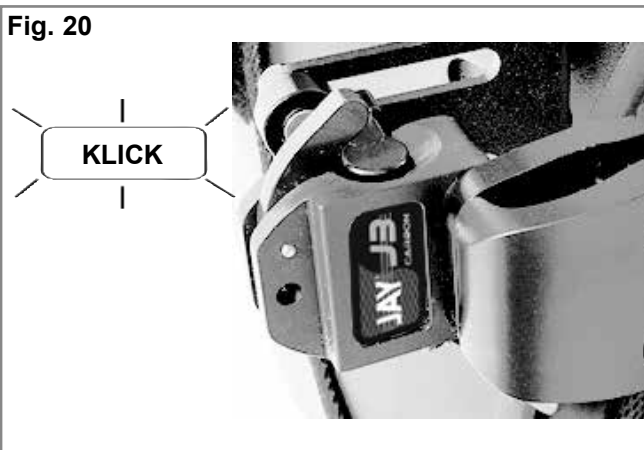
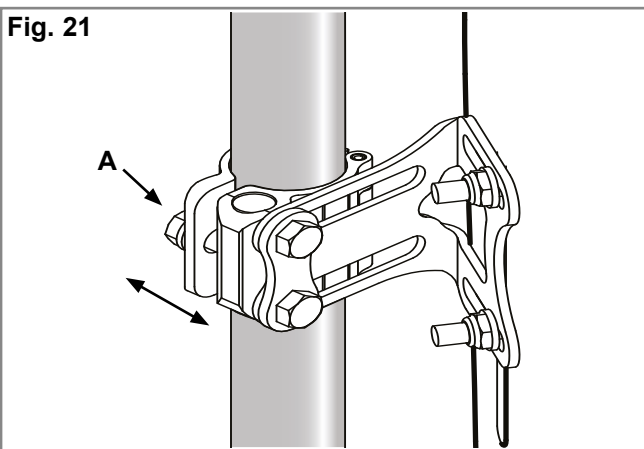


Fig. 17



Fig. 21



SKYDDSÖVERDRAG INSTALLATION

1. Lyft upp övre överdrag från J3-Carbon-ryggdynans överdrag (Fig. 22)
2. Fäst krok till band och fäst skyddsöverdraget på baksidan på J3-ryggdynans överdrag (Fig. 23). Ompositionera det övre överdraget och täck mellanrummet mellan övre och nedre överdrag med skyddsöverdraget (Fig. 24).
3. Avlägsna sittdynor från rullstol och täck skyddsöverdragets "svans" mellan rullstolens stödyta och sittdyna (Fig. 25).
4. Justera skyddsöverdrag enligt behov genom att dra svansen in eller ut från sitsdynan. Flytta vid behov den övre delen av skyddsöverdraget uppåt eller nedåt på ryggstödet.
5. Infoga band med krok och ögla genom lämpliga ringar på skyddsöverdraget, linda sedan runt rullstolens ram och infoga den främre änden genom öglans ände (Fig. 26-27). Surra och stäng luckor på skyddsöverdragets utsida (Fig. 28).



Fig. 24



Fig. 25



Fig. 26



Fig. 22



Fig. 27



Fig. 23



Fig. 28

BEGRÄNSNINGAR

VARNING!

Använd inte eller ordinera detta ryggstöd för någon som överskrider den angivna maximala brukarvikten.

ÅTERVINNING / ÅTERANVÄNDNING:

VARNING!

Skaderisk.

Använd alltid en auktoriserad Sunrise Medical återförsäljare som inspekterar produkten för skada eller förslitning innan den övergår till annan brukare. Om någon skada påträffas, ANVÄND EJ DENNA PRODUKT.

Om dessa varningar ej åtföljs kan det leda till allvarliga skador.

Denna produkt är lämplig för återanvändning*:

Be att en auktoriserad Sunrise Medical återförsäljare inspekterar skalet, monteringsfästen och överdrag för skada eller förslitning. Om någon skada påträffas, återanvänd ej.

Rengör och desinficera skalet, monteringsfästernas skum och överdrag i enlighet med lokala förordningar. Se ditt lokala infektionskontrollkontor för råd.

Efter rengöring och desinfektion, be att en auktoriserad Sunrise Medical återförsäljare inspekterar skalet, monteringsfästen, skum och överdrag för att se till att rengöring/desinfektionsprocess inte orsakat någon skada.

24 MÅNADERS BEGRÄNSAD GARANTI

Varje Jay J3-Carbon-ryggstöd är noggrant inspekterat och testat för att ge bästa prestanda. Varje Jay J3-Carbon-ryggstöd är garanterat fritt från defekter i material och utförande under en period på 24 månader från inköpsdatum, vid normalt bruk. Om en brist i material eller utförande skulle uppstå inom 24 månader från det ursprungliga inköpsdatumet så kommer Sunrise Medical, efter eget val, att reparera eller ersätta dynan kostnadsfritt.

Denna garanti gäller ej punktering, förslitning eller brännmärken och gäller ej för ryggstödsöverdraget. Avvikelse och reparationer ska skötas av närmaste behöriga hjälpmedelscentral. Förutom de uttryckliga garantier som angivits i detta dokument så gäller inga påstådda garantier för säljbarhet, inga garantier för lämplighet för ett visst ändamål och inga andra garantier. Garantin gäller ej utöver beskrivningen i detta dokument. Köparens enda kompensation vid brott mot de uttryckliga garantier som beskrivs i detta dokument är att varan repareras eller ersätts. Skadestånd vid brott mot någon garanti kan under inga omständigheter innefatta några följdskador eller överstiga kostnaden för den felaktiga varan.

Sunrise Medical recomienda consultar con un médico o un terapeuta experimentado en posicionamiento para determinar si es apropiada la utilización del respaldo J3 Carbono.

⚠ ¡ADVERTENCIA!

Los respaldos sólo deben ser instalados por:

- Un distribuidor autorizado de Sunrise Medical.
- Un profesional sanitario cualificado que haya obtenido el certificado apropiado de capacitación ya sea por parte de Sunrise Medical o su distribuidor autorizado.

USO INDICADO DEL RESPALDO JAY J3 CARBONO

El respaldo Jay J3 Carbono está destinado a proporcionar soporte posterior a una amplia variedad de usuarios de sillas de ruedas. Por su diseño, brinda un apoyo simple, cómodo y efectivo, que ayuda a maximizar el movimiento y a aumentar la tolerancia en posición sentada. Asimismo, es de peso liviano, durable y resulta fácil de usar.

Puede instalar el respaldo en una amplia variedad de sillas de ruedas.

Peso máximo del usuario: 125 kg (275 lbs).

La vida útil estimada de respaldo es de 2 años.

⚠ ¡ADVERTENCIA!

Instalar un respaldo en la silla de ruedas puede afectar el centro de gravedad de la misma y provocar que la silla de ruedas vuelque hacia atrás, con posibilidad de causar lesiones.

Evalúe siempre la necesidad de instalar en la silla de ruedas anti-vuelcos o soportes de adaptación de ejes para amputados, a fin de aumentar la estabilidad.

⚠ ¡ADVERTENCIA!

No utilice el respaldo J3 Carbono para empujar o levantar la silla de ruedas. Un uso inapropiado puede provocar que el respaldo se desprenda inesperadamente de la silla de ruedas.

⚠ ¡ADVERTENCIA!

No utilice la empuñadura del respaldo J3 Carbono para levantar la silla de ruedas. Esta empuñadura sólo está diseñada para la extracción del respaldo.

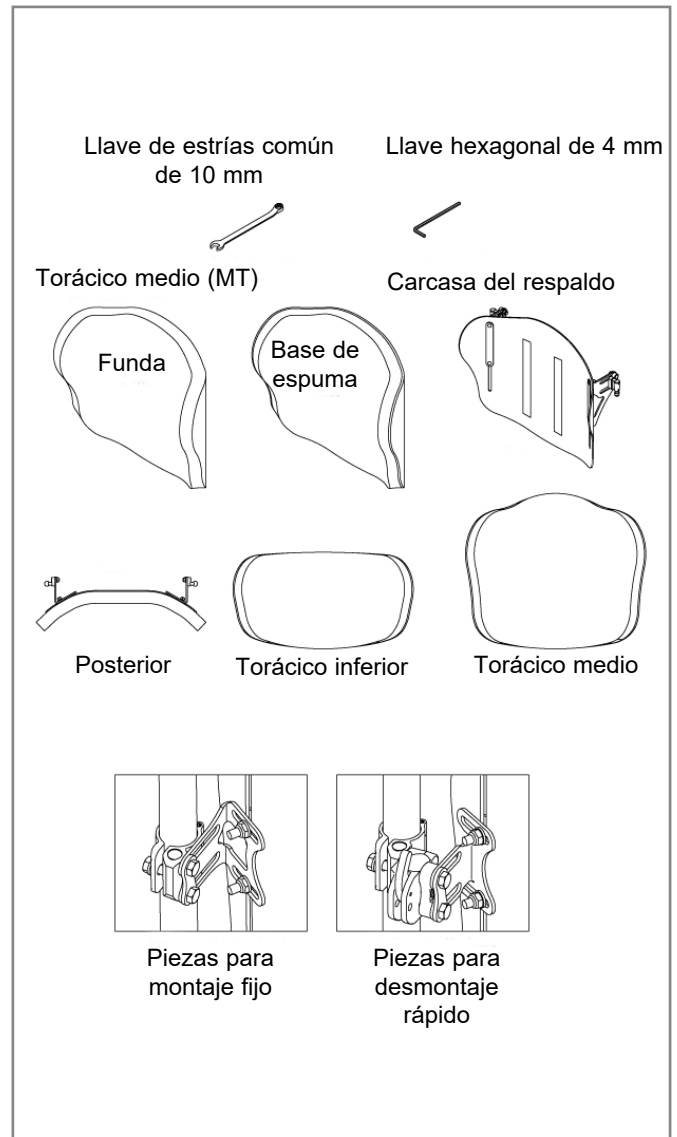
⚠ ¡ADVERTENCIA!

La falta de cuidado provoca incendios

⚠ ¡ADVERTENCIA!

Por favor, lea el manual de instrucciones antes de usar el respaldo.

RESPALDO J3 CARBONO



MANTENIMIENTO

Sunrise recomienda que verifique cada seis meses todos los anclajes para detectar signos de desgaste, tornillos flojos o componentes rotos. Los tornillos flojos deben reajustarse según las instrucciones de instalación. Todas las abrazaderas deben ajustarse de acuerdo con las especificaciones de ajuste, según lo estipulado en la sección de instalación del sistema de fijaciones. Comuníquese con su distribuidor autorizado de Sunrise Medical inmediatamente para reemplazar cualquier componente dañado. Suspenda el uso del sistema si identifica algún componente flojo o roto.

FÁCIL DE LIMPIAR

NOTA: Al desmontar el respaldo para realizar la limpieza, fíjese bien en la posición de los componentes de alineación vertebral con Velcro® para montarlos correctamente después.

Para limpiar la funda del respaldo

Retire la funda despegando el Velcro. Separe la funda de la estructura del respaldo. Localice el cierre de la parte inferior de la funda y ábralo. Retire la espuma y ponga la funda al revés. Cierre la cremallera de la funda y evite que se enganche. Lavar a máquina en agua tibia (60° C) Seque al natural o a máquina a baja temperatura.

NOTA: No limpie las fundas en tintorería ni use lavadoras y secadoras industriales. No las meta en autoclave de vapor. No use cloro.

Vuelva a colocar la espuma dentro de la funda. Tenga en cuenta que la base contiene dos capas de espuma. Al volver a colocar la espuma, compruebe que la capa más delgada de color "gris claro" quede mirando hacia la carcasa del respaldo. Una vez que la espuma esté perfectamente colocada dentro de la funda, cierre la cremallera para finalizar.

Para limpiar la carcasa del respaldo

La carcasa se puede limpiar mediante un paño humedecido con agua y jabón. No se requiere ningún otro mantenimiento.

Para limpiar los componentes de posicionamiento

Los componentes de posicionamiento pueden limpiarse con agua y jabón. No sumerja los componentes de posicionamiento en agua.

Si tiene dudas acerca del procedimiento de limpieza, comuníquese con un distribuidor autorizado de Sunrise Medical.

Símbolos para el cuidado en el lavado	
	Lavar a máquina en agua tibia (60° C)
	Utilizar sólo lejía sin cloro, en casos necesarios
	Secar al natural
	No planchar
	No lavar en seco

COMPATIBILIDAD

Tabla 1

Tipos de sillas de ruedas

El Respaldo J3 Carbono está diseñado para ser compatible con la mayoría de las sillas de ruedas con las siguientes excepciones:

No deben utilizarse sillas de ruedas que sean ajustables angularmente, reclinables o basculantes, y que lleguen a un ángulo mayor de 60 grados.

⚠ ¡ADVERTENCIA!

Utilizar estos tipos de silla de ruedas puede hacer que el respaldo se suelte accidentalmente de la silla de ruedas, provocando una caída y una posible lesión.

Dimensiones de sillas de ruedas

El respaldo J3 Carbono está diseñado para sustituir la tapicería del respaldo de la silla de ruedas. Antes de la instalación compruebe que la silla de ruedas tiene tubos del respaldo compatibles, midiendo la anchura entre ambos tubos, como se ve en la Figura 1. A continuación, con esa medida, consulte la Tabla 1, (montaje fijo) o la Tabla 2 para comprobar si el respaldo es compatible con su silla.

Después, compruebe que los tubos del respaldo son de un diámetro compatible. Las piezas del respaldo J3 Carbono pueden colocarse en los tubos posteriores de sillas de ruedas que tengan un diámetro de 19 mm (con añadido), 22 mm (con añadido) o 25 mm (sin añadido). Si no puede determinar que los tubos del respaldo sean compatibles, póngase en contacto con su distribuidor autorizado de Sunrise Medical o con el servicio de atención al cliente de Sunrise Medical.

RESPALDO J3 CARBONO ANCHURA Montaje fijo	Espaciador	Anchura de los tubos del respaldo medidos desde las caras externas de los tubos (Fig. 1-A)	
		Anchura mínima	Anchura máxima
32 cm	NO	29 cm	33 cm
	SÍ	31 cm	35 cm
36 cm	NO	34 cm	38 cm
	SÍ	36 cm	40 cm
41 cm	NO	39 cm	43 cm
	SÍ	41 cm	45 cm
46 cm	NO	44 cm	48 cm

Tabla 2

RESPALDO J3 CARBONO ANCHURA Desmontaje rápido		Anchura de los tubos del respaldo medidos desde las caras externas de los tubos (Fig. 1-A)	
		Anchura mínima	Anchura máxima
32 cm		31 cm	36 cm
36 cm		36 cm	41 cm
41 cm		41 cm	46 cm
46 cm		46 cm	51 cm

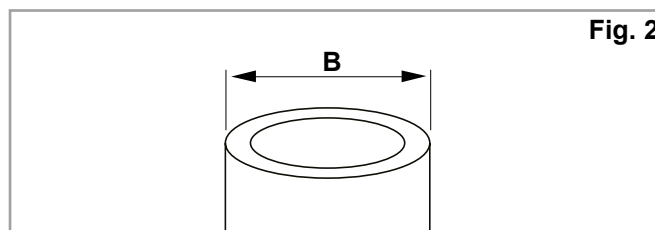


Fig. 2

Tabla 3

Anchura Respaldo J3 Carbono	Diámetro del tubo (Fig. 2)			
	Anchura mínima Pulg		Anchura máxima Pulg	
12,6-18" (32-46 cm)	3/4	1,9	1,0	2,2

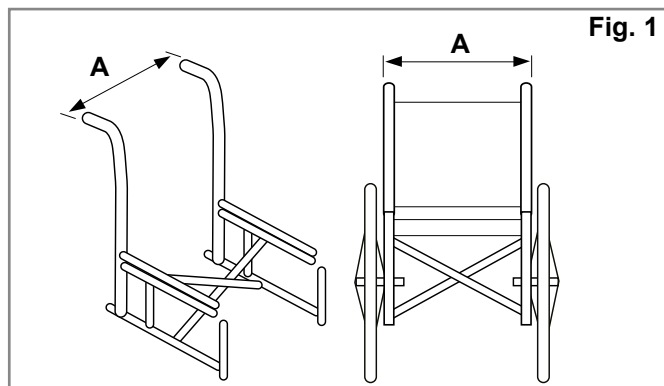


Fig. 1

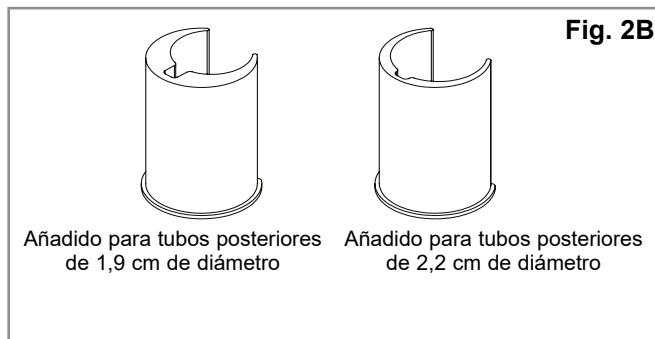


Fig. 2B

Añadido para tubos posteriores de 1,9 cm de diámetro

Añadido para tubos posteriores de 2,2 cm de diámetro

INSTALACIÓN DE LAS PIEZAS DE FIJACIÓN Y MONTAJE

Por favor lea las siguientes instrucciones antes de dar comienzo a la instalación.

Para instalar el respaldo J3 Carbono, es mejor comenzar sin el usuario sentado en la silla de ruedas. Una vez que el respaldo está instalado, y sólo se necesitan hacer pequeños ajustes, el usuario podrá volver a sentarse en la silla de ruedas.

Herramientas necesarias (incluidas con el respaldo J3 Carbono)*

- Llave hexagonal de 4 mm, (solo necesaria para el modelo con desmontaje rápido)
- Llave de tuercas de 10 mm.

NOTA: Siempre que la torsión de ajuste esté especificada, recomendamos utilizar un dispositivo de medición de presión (no incluido con el respaldo Jay3) para verificar que ha conseguido la medida correcta.

Instrucciones de instalación para el sistema de montaje fijo, (Figs. 3, 4, 5).

1. Retire el respaldo existente de la silla de ruedas siguiendo las instrucciones del fabricante.

NOTA: Si la silla es de 34 cm, 40cm o 44cm de anchura, tendrá que instalar los espaciadores junto con el respaldo: Consulte las instrucciones de debajo:

2. Utilizando la llave de estrías común de 10 mm, afloje, pero no retire, las tuercas (C) y los tornillos (B).
3. Utilizando la llave de estrías común de 10 mm, afloje y extraiga el tornillo (A), abra la bisagra para permitir la colocación en el tubo posterior del respaldo de la silla de ruedas.
4. Coloque las piezas de montaje a la altura deseada en los tubos posteriores de la silla de ruedas y, a continuación, cierre la bisagra, y ajuste el tornillo correspondiente (A). Las piezas del sistema de fijación deben estar montadas a una altura equidistante en cada tubo posterior. Cuanto más alta la ubicación, generalmente es mejor.

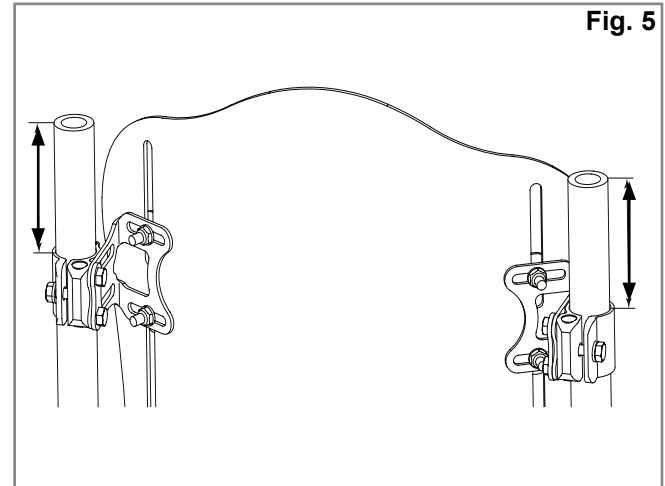
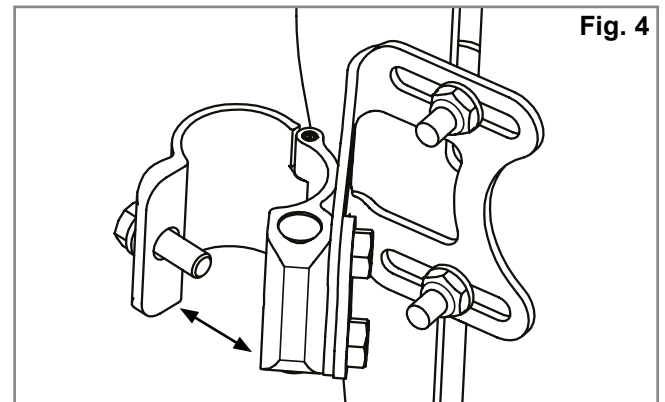
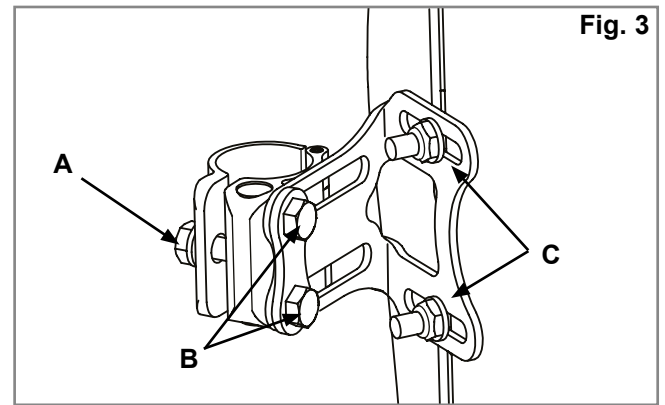
NOTA: Para tubos posteriores de respaldos de menos de 25 mm de diámetro, utilice el espaciador de tamaño adecuado.

5. Ajuste el respaldo a la posición, profundidad, inclinación y altura deseadas y, a continuación, ajuste los tornillos (B) y las tuercas (C).

Ajuste todas las tuercas y tornillos.

Especificaciones de torsión de ajuste recomendadas:

- Tornillos (A) y (B): 11,3 - 12,4 Nm
- Tuercas (C): 8,5 – 9,3 Nm



INSTRUCCIONES PARA LA INSTALACIÓN DEL KIT DE ESPACIADORES:

(Fig. 6, 7).

NOTA: solo necesarios para anchuras de 34 cm, 40 cm y 44 cm.

1. Extraiga los dos (2) tornillos (B) que sujetan el soporte de montaje a la abrazadera del tubo posterior (Fig. 6).

NOTA: cuando extraiga estos tornillos, las tuercas tambor estarán flojas. Esté atento a cogerlas, para que no caigan al suelo.

2. Coloque el espaciador (D) entre el soporte y el conjunto de la abrazadera.

3. De ser necesario, reemplace las tuercas tambor y alinee los orificios para hacerlos coincidir con los tornillos. Acople utilizando los tornillos más largos (M6 x 25) incluidos en el kit.

INSTRUCCIONES PARA LA INSTALACIÓN DEL SISTEMA PARA DESMONTAJE RÁPIDO

(Fig. 8, 9, 10,).

1. Retire el respaldo existente de la silla de ruedas siguiendo las instrucciones del fabricante.

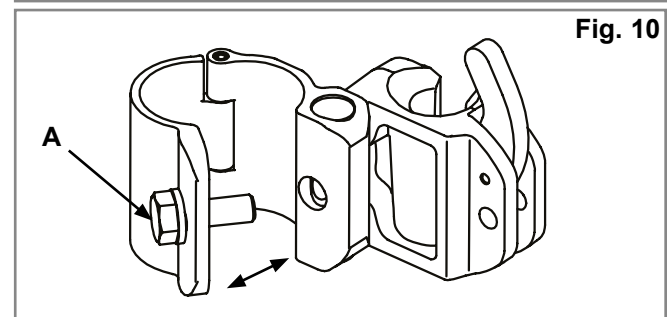
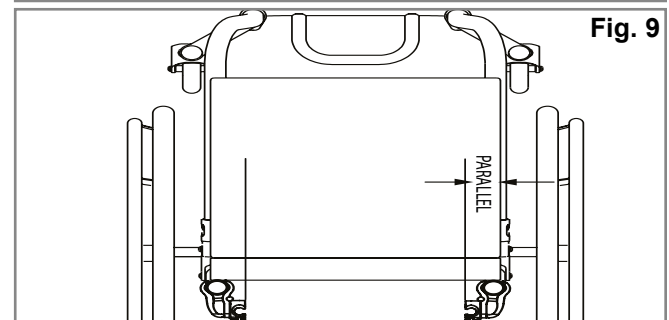
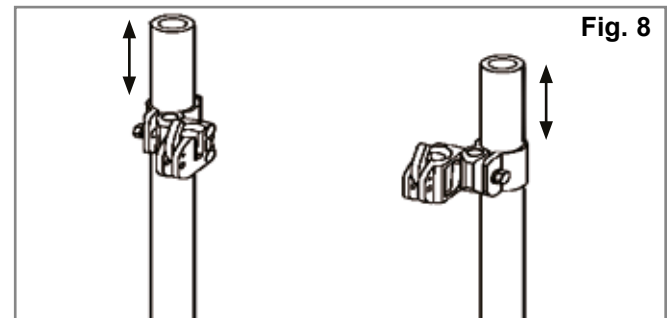
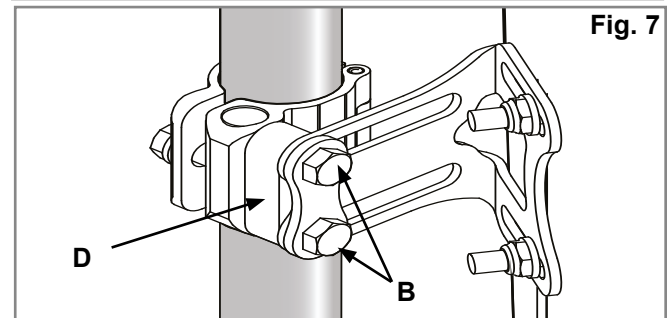
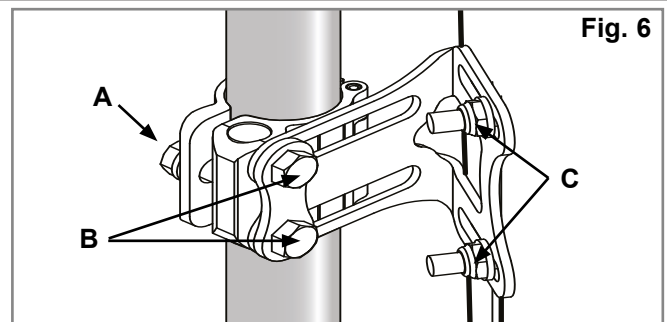
2. Determine visualmente la ubicación deseada de los receptores en los tubos del respaldo de la silla de ruedas. Las piezas del sistema de fijación deben estar montadas a una altura equidistante en cada tubo posterior (Fig. 8) y paralelas al armazón del asiento (Fig. 9). Cuanto más alta la ubicación de los tubos del respaldo, mejor.

3. Inserte los receptores del armazón. (Fig. 10) Utilizando la llave de estrías común de 10 mm, afloje y extraiga el tornillo (A), abra la bisagra para permitir la colocación en el tubo posterior del respaldo de la silla de ruedas.

NOTA: Para tubos posteriores de respaldos de menos de 25 mm de diámetro, utilice el espaciador de tamaño adecuado.

- Inserte y alinee el receptor a los tubos del respaldo de la silla de ruedas.
- Ajuste los tornillos de la abrazadera a mano (A).

NOTA: Es posible que los receptores necesiten ajuste lateral adicional para garantizar la alineación apropiada.



INSERCIÓN Y ALINEACIÓN DE LA CARCASA DEL RESPALDO

(Fig. 11, 12, 13).

- Utilizando la llave de 10mm, afloje pero no extraiga los tornillos de pasador de montaje (B) y las tuercas del soporte (C).
- Acople el respaldo J3 Carbono a las piezas de montaje insertando los pasadores de receptor en los receptores, (Fig. 12).
- Ajuste el respaldo a la posición, (Fig. 13) profundidad, inclinación y altura deseadas y, a continuación, ajuste a mano los tornillos (B) y las tuercas (C).

NOTA: Es posible que la profundidad y el ángulo del respaldo necesiten un ajuste adicional para garantizar una posición adecuada para el usuario.

- Compruebe el sistema de extracción del respaldo presionando las palancas de liberación hacia delante y quitando el respaldo de la silla.

(Consulte

la sección sobre Extracción y Reinstalación para más detalles.) La alineación adecuada de las piezas de montaje

y el respaldo se logra cuando es posible realizar un acople y desmontaje fácil y sin problemas.

- Si no se ha conseguido una alineación apropiada, ajuste los componentes hasta que queden correctamente alineados.

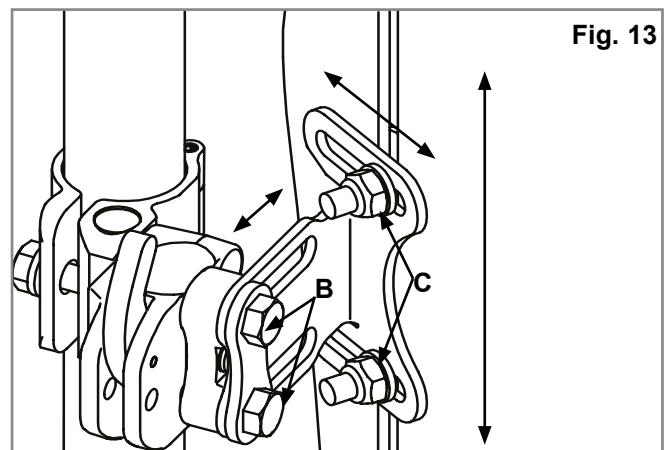
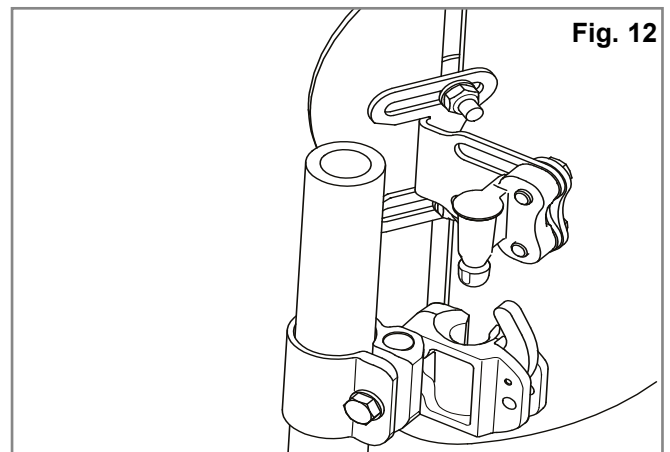
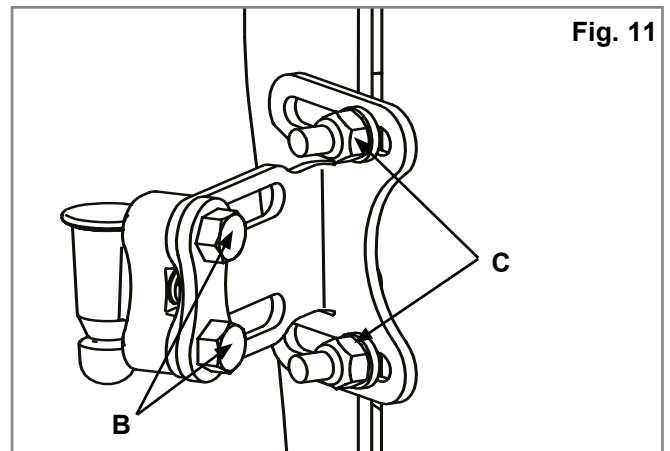
- Una vez que las piezas estén bien alineadas, ajústelas a todas.

NOTA: Ajuste todas las tuercas y los tornillos solo cuando el respaldo esté correctamente alineado.

Especificaciones de torsión de ajuste recomendadas:

Tornillos (A) y (B): 11,3 - 12,4 Nm

Tuercas (C): 8,5 - 9,3 Nm



AJUSTE DE ALTURA, PROFUNDIDAD Y ÁNGULO EN J3

La primera fase de la instalación de las piezas de ajuste del respaldo J3 Carbono está completa. Es el momento de sentar al usuario en la silla para personalizar la posición del respaldo J3. No permita que el usuario ejerza demasiada presión sobre el respaldo, ya que no está apretado totalmente según las especificaciones de torsión.

1. Ajuste de la altura (Fig. 14).

- Con el usuario sentado en la silla, seleccione la altura deseada del respaldo. Una vez seleccionada, solicite al usuario que aligere la presión sobre el respaldo Carbono, incorporándose o deslizándose parcialmente hacia delante, para poder llevar a cabo el ajuste final.
- Afloje las tuercas del soporte (C) y ajuste la altura de la estructura del respaldo en la posición deseada.
- Ajuste con firmeza las tuercas del soporte (C). La torsión de ajuste recomendada es de entre 75 y 85 pulg-lbs. (8,5 - 9,3 Nm).

NOTA: Cuando haya completado el ajuste de altura, compruebe que la anchura no se haya modificado inadvertidamente.

2. Ajuste de ángulo y profundidad (Figs. 11, 12, 13 & 14).

Tenga en cuenta que puede solicitar dos tipos de piezas del sistema de fijaciones: las fijas (Fig. 15) o las de desmontaje rápido (Fig. 16). Los dos conjuntos de piezas se ajustan del mismo modo, aunque las fijas permiten un ajuste de profundidad de 4 cm (Fig. 15) mientras que las piezas de desmontaje rápido (o extraíbles) permiten un ajuste de profundidad total de 2,9 cm (Fig. 16).

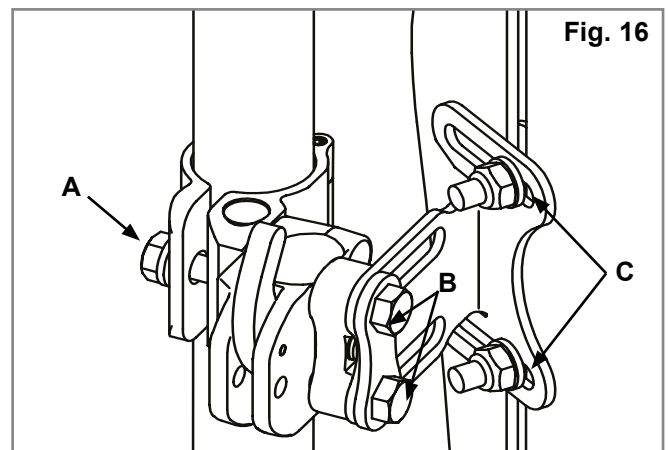
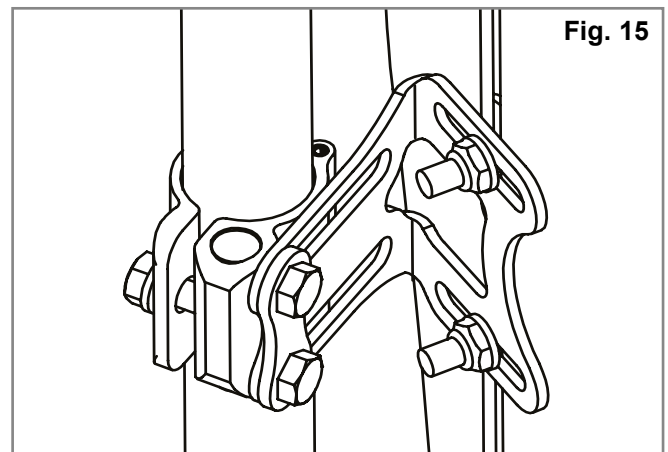
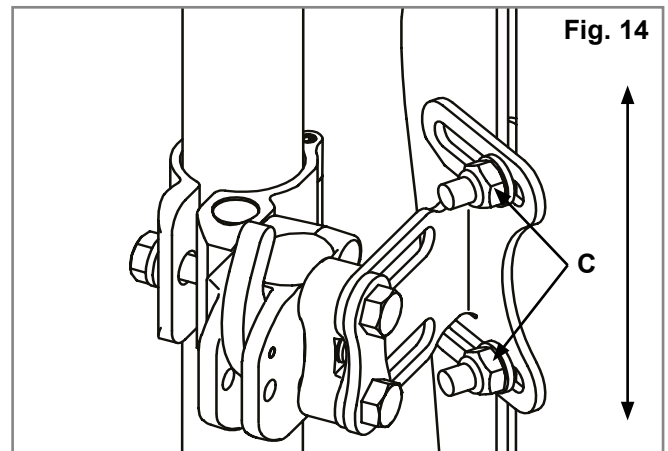
- Para ajustar la profundidad y el ángulo del respaldo J3 Carbono, afloje los tornillos izquierdo y derecho (B) (Fig. 16) de las ranuras del soporte.
- Ajuste la altura y/o el ángulo y fíjelos con firmeza. La torsión de ajuste recomendada es de entre 100 y -110 pulg-lbs. (11,3 - 12,4 Nm). Compruebe que ninguno de los tornillos de ajuste de profundidad (Fig. 16) (B) pudiesen deslizarse o rotar.

NOTA: Si necesita cambiar la posición del respaldo, antes de volver a insertar los tornillos, recomendamos aplicar un adhesivo para roscas adecuado de mediana potencia, como Loctite 243, tanto en el receptor como en las roscas de los tornillos.

Especificaciones de torsión de ajuste recomendadas:
Tornillos (A) y (B): 11,3 - 12,4 Nm
Tuercas (C): 8,5 - 9,3 Nm

¡ADVERTENCIA!

Compruebe que todas las piezas de fijación se han instalado adecuadamente una vez que todos los ajustes se hayan completado y el respaldo J3 Carbono estará listo para ser utilizado.



RETIRADA Y NUEVA COLOCACIÓN

Desmontaje - Piezas de desmontaje rápido

Habiendo explicado los pasos para la instalación y el ajuste, también puede extraer fácilmente el respaldo de la silla de ruedas de ser necesario. Para la extracción, empuje hacia delante de las palancas de liberación.

(Fig. 17). Una vez que ambas palancas están hacia delante, levante el respaldo verticalmente (Fig. 18) utilizando el asa ubicada en la parte superior del respaldo.

Reinstalación apropiada tras la extracción

Para volver a colocar el respaldo en las piezas de fijación, simplemente alinee las clavijas con los receptores y empuje hasta ubicarlo en su lugar.

Los pasadores harán un "clic" que indicará que han quedado colocados de manera correcta (Fig. 19-20).

⚠ ¡ADVERTENCIA!

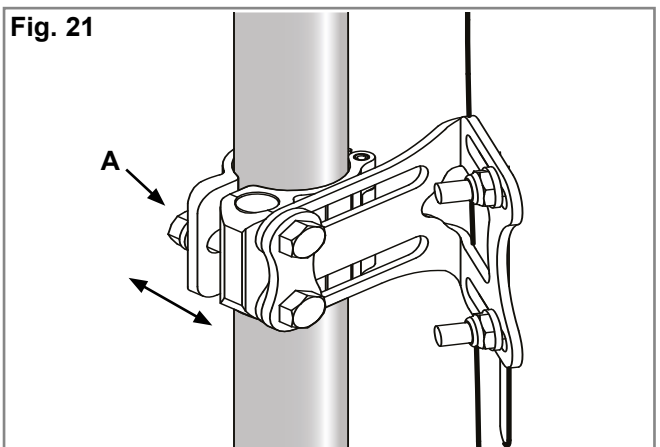
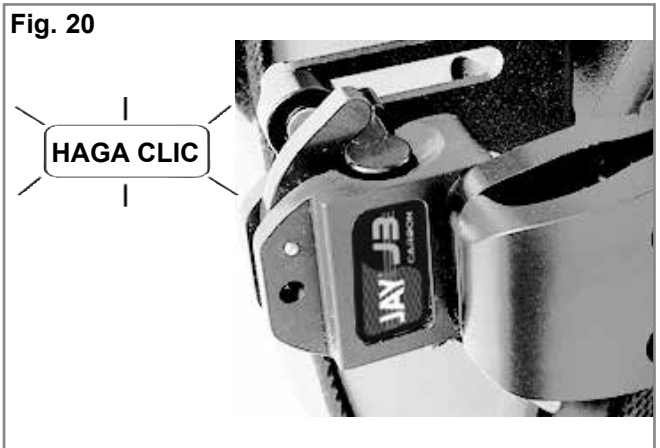
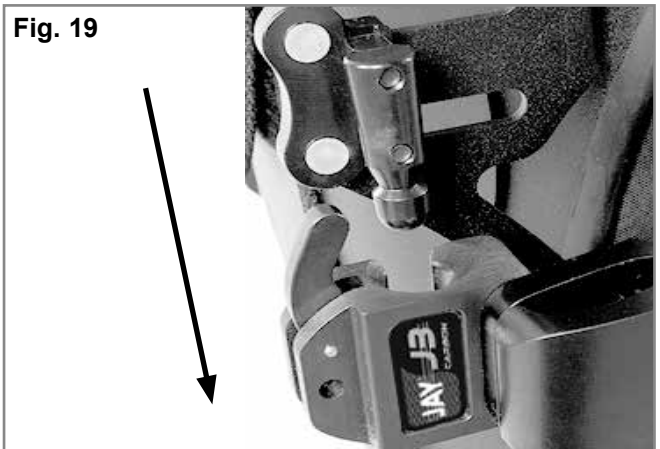
Si no está seguro de haber escuchado el "clic", tire hacia arriba de la empuñadura del respaldo para comprobar que este ha quedado colocado correctamente.

Desmontaje - Piezas fijas

Si el respaldo J3 Carbono contiene piezas fijas, siga los pasos que siguen para desmontarlo de la silla de ruedas:

1. Afloje y retire el tornillo de la bisagra (A) de la abrazadera izquierda y derecha con una llave de 10 mm.
2. Abra la bisagra y separe el respaldo J3 Carbono, (Fig. 21).

Reinstalación apropiada tras la extracción - Para volver a colocar el respaldo, siga las instrucciones de instalación descritas en este manual (página 9).



INSTALACIÓN DE LA EXTENSIÓN DE LA FUNDA

1. Levante la solapa superior de la funda del respaldo J3 Carbono (Fig. 22)
2. Haga coincidir las cintas de sujeción de Velcro y asegure la extensión en la parte posterior de la funda del respaldo J3 Carbono (Fig. 23). Vuelva a colocar la solapa superior de la funda, lo que dejará a la extensión en medio de las solapas inferior y superior del respaldo (Fig. 24).
3. Extraiga el cojín del asiento de la silla de ruedas y coloque entre medio la parte de la "cola" de la extensión, entre la superficie de apoyo de la silla de ruedas y el cojín del asiento (Fig. 25).
4. Ajuste la extensión según sea necesario moviendo la "cola" hacia dentro o fuera de debajo del cojín. De ser necesario, también puede mover la parte superior de la extensión hacia arriba o abajo desde el respaldo.
5. Pase las cinchas de Velcro por las arandelas de goma correspondientes de la extensión de funda, luego sujételas al armazón de la silla de ruedas e inserte el extremo delantero por el extremo ranurado de la cincha (Fig. 26-27). Enrosque y cierre los espacios externos de la extensión de la funda (Fig. 28).



Fig. 24



Fig. 25



Fig. 26



Fig. 22



Fig. 27



Fig. 23



Fig. 28

CONTRAINDICACIONES **ADVERTENCIA!**

No utilice ni recete este respaldo a ningún paciente que exceda el peso máximo de usuario especificado.

RECICLADO Y REUTILIZACIÓN: **ADVERTENCIA!**

Riesgo de lesión.

Haga que un distribuidor autorizado de Sunrise Medical siempre verifique el producto por daños o desgaste antes de transferirlo a otro usuario. En caso de detectarse algún tipo de daño, **NO UTILICE ESTE PRODUCTO.**

El incumplimiento de estas advertencias podría causar lesiones severas.

Este producto es apto para ser reutilizado*:

Haga que un distribuidor autorizado de Sunrise Medical verifique la carcasa, las piezas de montaje, la espuma y las fundas por daños o desgaste. En caso de detectarse algún tipo de daño, no lo reutilice.

Limpie y desinfecte la carcasa, las piezas de montaje, la espuma y las fundas de conformidad con las normativas local vigentes. Solicite asesoramiento al organismo local de control de infecciones.

Después de la limpieza y desinfección del producto, haga que un distribuidor autorizado del Sunrise Medical inspeccione

la carcasa, las piezas, la espuma y la tapicería para garantizar que los procesos de limpieza y desinfección no hubiesen causado ningún daño al respaldo.

GARANTÍA LIMITADA DE 24 MESES

Cada respaldo Jay J3 Carbono es inspeccionado y probado cuidadosamente para proporcionar el mejor servicio. Cada respaldo Jay J3 Carbono está garantizado contra defectos de los materiales o de mano de obra por un período de 24 meses a partir de la fecha de compra, si se usa de manera normal. En caso de presentarse defectos en los materiales o mano de obra dentro del período de 24 meses a partir de la fecha de compra original, Sunrise

Medical a su criterio lo reparará o reemplazará sin cargo alguno.

Esta garantía no se aplica a los pinchazos, rupturas o quemaduras, ni a la funda extraíble del respaldo.

Las reclamaciones y reparaciones serán procesadas a través del distribuidor autorizado más cercano. Con excepción de las garantías expresas aquí establecidas, se excluyen todas las demás garantías, incluyendo las garantías implícitas de comercialización y las garantías de idoneidad para un propósito en particular. No existe ninguna garantía que se extienda fuera de la descripción aquí establecida. Los remedios por violaciones de las garantías expresas aquí establecidas se encuentran limitadas a la reparación o reemplazo de los bienes. Los daños por violación de cualquier garantía en ningún caso incluirán ningún daño consecuencial ni excederá el costo de los bienes vendidos fuera de especificaciones.

A Sunrise Medical recomenda que consulte um clínico, como um médico ou terapeuta com experiência em assento e sistema de posicionamento, para determinar se o Encosto J3 Carbon é apropriado.

⚠️ AVISO!

Os encostos apenas devem ser instalados por:

- Um fornecedor autorizado pela Sunrise Medical.
- Um profissional de saúde qualificado e competente que tenha recebido formação adequada da Sunrise Medical ou do fornecedor aprovado.

A UTILIZAÇÃO PREVISTA DO ENCOSTO JAY J3 CARBON

A Jay J3 Carbon Back destina-se a oferecer apoio para as costas a uma grande variedade de utilizadores de cadeiras de rodas. Foi criada para oferecer apoio simples, confortável e eficaz para ajudar a maximizar a sua funcionalidade e aumentar a tolerância de posição sentada. Para além disso, é leve, durável e de fácil utilização.

O encosto pode ser instalado numa grande variedade de cadeiras de rodas.

Peso Máximo do Utilizador: 125 kg (275 lbs).

A vida útil estimada do encosto é 2 anos.

⚠️ AVISO!

A instalação de um suporte de encosto numa cadeira de rodas pode afetar o centro de gravidade da cadeira de rodas e pode fazer com que a cadeira de rodas tombe, possivelmente causando ferimentos.

Verifique sempre se é necessário instalar na cadeira de rodas dispositivos anti-queda ou de suportes para o adaptador de eixo de amputados para ajudar a aumentar a estabilidade.

⚠️ AVISO!

Não empurre ou levante a cadeira de rodas segurando o encosto J3 Carbon. A utilização incorreta pode soltar acidentalmente o encosto da cadeira de rodas.

⚠️ AVISO!

Não use o manípulo traseiro J3 Carbon para levantar a cadeira de rodas. Destina-se apenas para remover o encosto.

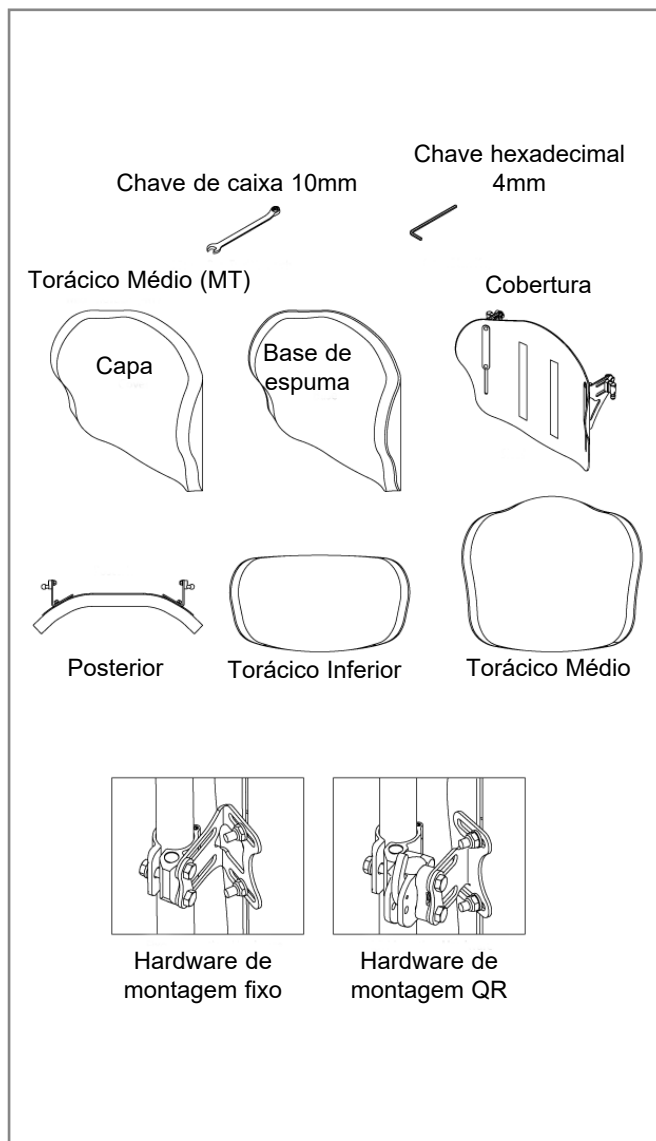
⚠️ AVISO!

Os descuidos causam incêndios

⚠️ AVISO!

Por favor, leia o manual antes de utilizar.

ENCOSTO J3 CARBON



MANUTENÇÃO

A Sunrise recomenda que inspecione todos os dispositivos de fixação de 6 em 6 meses para determinar se estão desgastados, se têm parafusos soltos ou componentes partidos. As peças soltas devem ser apertadas de novo de acordo com as instruções de instalação. Todos os acessórios de fixação devem ser apertados seguindo as especificações na seção de instalação do hardware. Contacte o seu agente Sunrise Medical autorizado imediatamente para substituir qualquer peça partida. Não continue a usar o sistema depois de identificar peças partidas ou soltas.

LIMPEZA FÁCIL

NOTA: Quando desmontar o encosto para limpar, memorize a posição dos componentes de alinhamento da coluna de Velcro® para montar corretamente.

Para limpar a cobertura do encosto

Remova a cobertura, separando o Velcro. Remova a capa da cobertura traseira. Localize o fecho no fundo da capa e abra. Remova a espuma e vire a cobertura do avesso. Feche o fecho da cobertura para evitar prender. Lavagem à máquina em água quente (60° C) Pendure ou seque com aquecimento baixo.

NOTA: Não limpe a seco as capas ou use produtos de lavagem e de secagem industrial para limpar a capa. Não use ferro de vapor. Não use lixívia.

Insira de novo a espuma na cobertura. Lembre-se: a base tem duas camadas de espuma. Quando inserir de novo a espuma, assegure-se que a espuma “cinzento claro” mais fina esteja virada para a estrutura. Quando a espuma estiver dentro da capa, feche o fecho.






Para limpar a estrutura do encosto

A estrutura pode ser limpa com sabão e água. Não é necessário qualquer outro tipo de manutenção.

Para limpar os componentes de posicionamento

Os componentes de posicionamento podem ser limpos com água e sabão. Não coloque os componentes de posicionamento debaixo de água.

Se tiver outras questões sobre a limpeza, contacte o seu fornecedor Sunrise Medical autorizado.

Símbolos de Limpeza	
	Lavagem à máquina em água quente (60° C)
	Apenas branqueamento sem cloro, quando necessário
	Pendurar
	Não passar a ferro
	Não secar

DETERMINAR A COMPATIBILIDADE

Tipos de cadeiras de rodas

O Encosto J3 Carbon foi criado para ser compatível com a maioria das cadeiras de rodas, excepto: Cadeiras de rodas com ângulos, reclinção ou inclinação ajustável, cujo ajuste do ângulo do encosto seja superior a 60 graus a partir da vertical.



A utilização do encosto nestes tipos de cadeiras de rodas pode fazer com o encosto se solte acidentalmente da cadeira de rodas, causando uma queda e ferimentos potencialmente graves.

Dimensões da Cadeira de Rodas

O Encosto J3 Carbon foi concebido para substituir o forro da correia da cadeira de rodas. Antes da instalação, determine se a cadeira de rodas usada possui barras traseiras compatíveis, medindo a largura das barras traseiras como na Figura 1. Depois, com essa medida, consulte a Tabela 1, (montagem fixa) ou a Tabela 2, (desbloqueio rápido), para determinar se o encosto pode ser instalado na sua cadeira.

De seguida, confirme se as barras traseiras têm diâmetro compatível.

O hardware do encosto J3 Carbon pode ser montado em cadeiras de rodas com barras traseiras com 3/4" (19mm) (com inserção de), 7/8" (22mm) (com inserção de) ou 1" (25mm) (sem inserção) de diâmetro.

Se não conseguir determinar se as barras traseiras são compatíveis contacte o seu fornecedor autorizado pela Sunrise Medical ou o serviço de assistência Sunrise Medical.

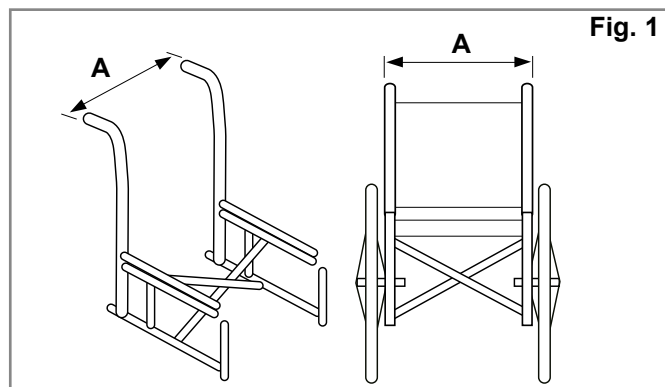


Fig. 1

Tabela 1

LARGURA DO ENCOSTO J3 CARBON Montagem fixa	Espaçador	Largura das barras traseiras do exterior ao exterior dos tubos (Fig. 1-A)	
		Largura mínima	Largura máxima
32 cm	NÃO	29 cm	33 cm
	SIM	31 cm	35 cm
36 cm	NÃO	34 cm	38 cm
	SIM	36 cm	40 cm
41 cm	NÃO	39 cm	43 cm
	SIM	41 cm	45 cm
46 cm	NÃO	44 cm	48 cm

Tabela 2

LARGURA DO ENCOSTO J3 CARBON Desbloqueio rápido		Largura das barras traseiras do exterior ao exterior dos tubos (Fig. 1-A)	
		Largura mínima	Largura máxima
32 cm		31 cm	36 cm
36 cm		36 cm	41 cm
41 cm		41 cm	46 cm
46 cm		46 cm	51 cm

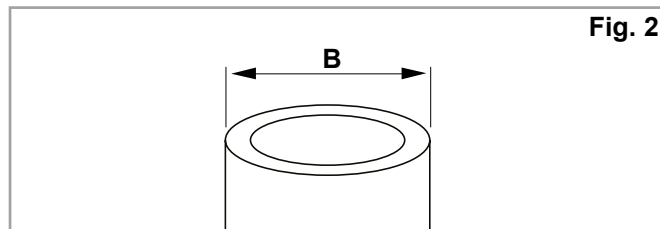


Fig. 2

Tabela 3

Largura do encosto J3 Carbon	Diâmetro da barra (Fig. 2)			
	Largura mínima Polegada		Largura máxima Polegada	
	cm	cm	cm	cm
12,6-18" (32-46 cm)	3/4	1,9	1,0	2,2

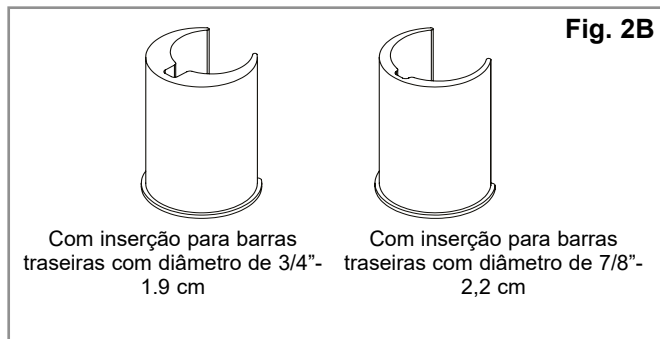


Fig. 2B

Com inserção para barras traseiras com diâmetro de 3/4"- 1.9 cm

Com inserção para barras traseiras com diâmetro de 7/8"- 2.2 cm

INSTALAÇÃO DO HARDWARE DE MONTAGEM

Leia as seguintes instruções antes de começar a instalação.

Para instalar o Encosto J3 Carbon, é melhor começar por remover o utilizador da cadeira. Quando instalar o encosto e se fôr necessário efetuar pequenos ajustamentos, pode sentar o utilizador na cadeira de rodas.

Ferramentas necessárias (incluídas com o Encosto J3 Carbon)*

- Chave hexagonal de 4 mm, (só para estilo QR)
- Chave inglesa de 10 mm.

NOTA: Sempre que as definições do binário forem especificadas, é altamente aconselhável usar um medidor de binário (não incluído com o Encosto Jay3) para verificar se a força de torsão correta foi aplicada.

Instruções de instalação para sistema de montagem _estacionário, (Fig. 3, 4, 5).

1. Remova o encosto existente da cadeira de rodas de acordo com as instruções do fabricante.

NOTA: Se a largura da sua cadeira de rodas for 34 cm, 40 cm ou 44 cm, deverá instalar os espaçadores fornecidos com o encosto: Consulte as instruções em baixo:

2. Com a chave da extremidade de caixa de 10 mm, desaperte, mas não remova as porcas (C) e os parafusos (B).
3. Com a chave da extremidade de caixa de 10 mm, desaperte e remova o parafuso (A), abra a dobradiça para poder instalar na barra traseira da cadeira de rodas.
4. Posicione o hardware de montagem na altura pretendida nos tubos traseiros da cadeira de rodas e depois feche a dobradiça e aperte o parafuso da dobradiça (A). A altura do hardware de montagem deverá ser aproximadamente igual em cada barra traseira. Posições mais altas são geralmente melhores.

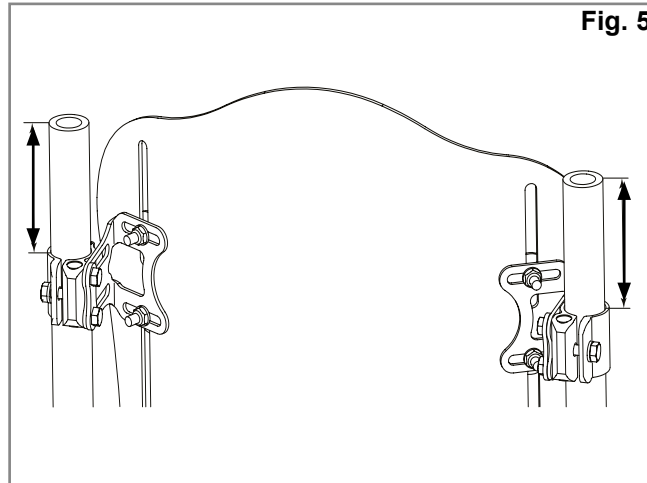
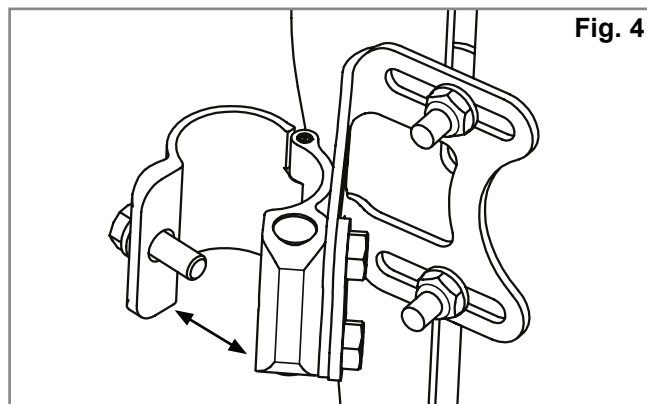
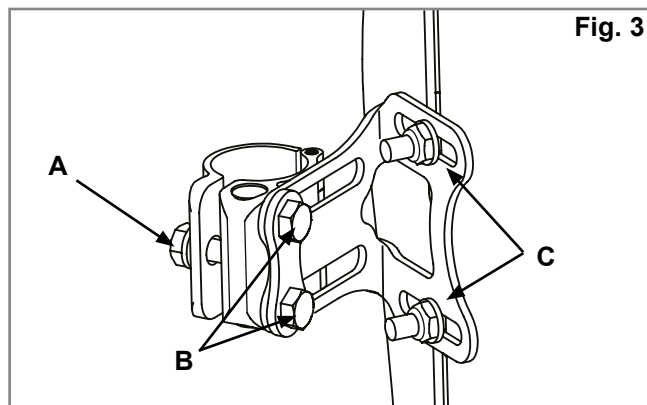
NOTA: para tubos de barras traseiras com diâmetros inferiores a 25 mm, use o espaçador de tamanho apropriado.

5. Ajuste o encosto para a posição, profundidade, inclinação e altura pretendidas e depois aperte os parafusos (B) e as porcas (C).

Aperte todos os parafusos e porcas:

Especificações recomendadas de binário:

- Parafusos (A) & (B): 11,3 - 12,4 Nm
- Porcas (C): 8,5 – 9,3 Nm



INSTRUÇÕES DE INSTALAÇÃO DO KIT DO ESPAÇADOR:

(Fig. 6, 7).

NOTA: só necessário para larguras de 34 cm, 40 cm e 44 cm.

1. Remova os dois (2) parafusos (B) que seguram o suporte de montagem à estrutura de fixação da barra traseira, (Fig. 6).

NOTA: quando remover estes parafusos, as porcas barril ficam soltas. Esteja preparado para as apanhar, para não caírem no chão.

2. Coloque o espaçador (D) entre o suporte e a estrutura de fixação.
3. Instale novamente as porcas barril, se necessário, e alinhe os orifícios para corresponder com os parafusos. Fixe com os parafusos mais compridos (M6 x 25) incluídos no kit.

INSTRUÇÕES DE INSTALAÇÃO PARA SISTEMA DE MONTAGEM DE DESBLOQUEIO RÁPIDO

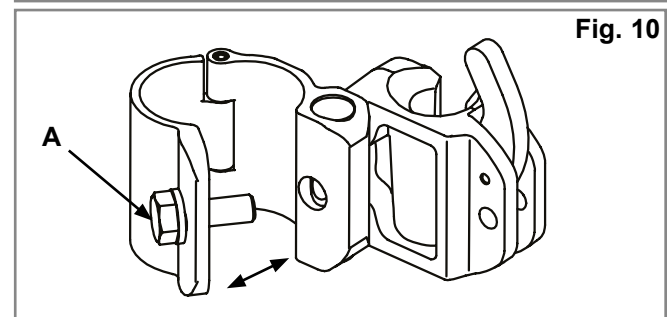
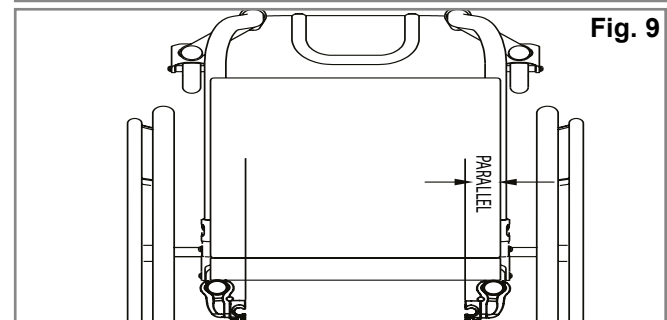
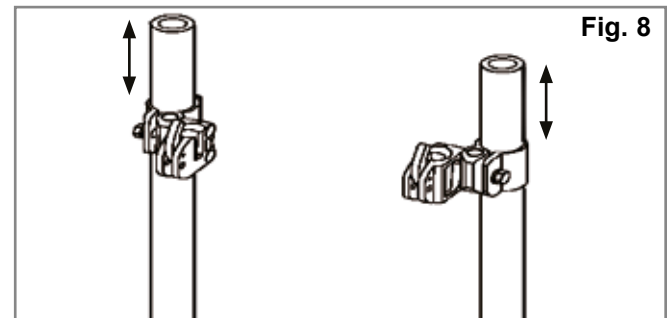
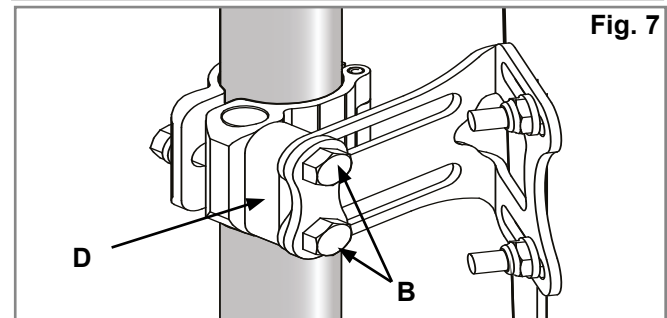
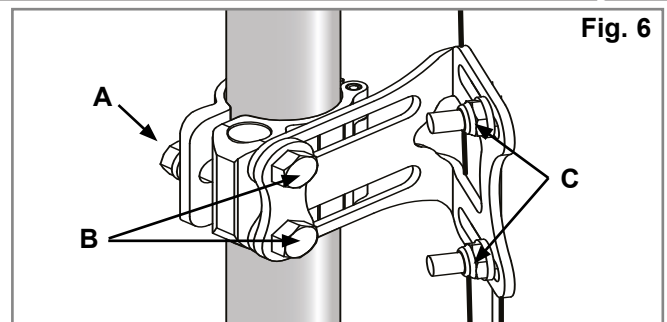
(Fig. 8, 9, 10,).

1. Remova o encosto existente da cadeira de rodas de acordo com as instruções do fabricante.
2. Determine visualmente a localização pretendida dos recetores das barras traseiras da cadeira de rodas. A altura do hardware de montagem deve ser aproximadamente igual em cada barra traseira (Fig. 8) e paralelo à estrutura do assento (Fig. 9). As posições mais elevadas nas barras traseiras são, geralmente, melhores.
3. Fixe os recetores de hardware. (Fig. 10)
Com a chave da extremidade de caixa de 10 mm desaperte e remova o parafuso (A), abra a dobradiça para permitir a instalação nos tubos das barras traseiras da cadeira de rodas.

NOTA: para tubos de barras traseiras com diâmetros inferiores a 25 mm, use o espaçador de tamanho apropriado.

- Fixe e alinhe o recetor às barras traseiras da cadeira de rodas.
- Aperte manualmente os parafusos de fixação (A).

NOTA: Poderá ser necessário efetuar ajustamentos adicionais nos recetores ajustamento para garantir o alinhamento correto.



FIXAÇÃO E ALINHAMENTO DA COBERTURA DO ENCOSTO

(Fig. 11, 12, 13).

- Com a chave de 10 mm, desaperte mas não remova os parafusos do pino de montagem (B) e as porcas do suporte (C).
- Fixe o encosto J3 Carbon ao hardware de montagem inserindo os pinos de receção nos recetores, (Fig. 12).
- Ajuste o encosto para a posição, (Fig. 13) profundidade, inclinação e altura pretendidas e depois aperte manualmente os parafusos (B) e as porcas (C).

NOTA: Poderá ser necessário ajustar a altura e ângulo do encosto para garantir a melhor posição para o utilizador.

- Teste o desbloqueio do encosto empurrando os manípulos de libertação para a frente e removendo o encosto da cadeira. (Ver seção Remoção e Substituição para mais informações.) O alinhamento correto do hardware de montagem e do encosto é obtido quando for possível fixar e soltar facilmente.
- Se não conseguir obter o alinhamento correto, ajuste os componentes até os alinhar corretamente.
- Quando alinhado corretamente, aperte todo o hardware.

NOTA: Aperte todas as porcas e parafusos só quando o encosto estiver corretamente alinhado:

Especificações recomendadas de binário:

Parafusos (A) & (B): 11,3 - 12,4 Nm

Porcas (C): 8,5 - 9,3 Nm

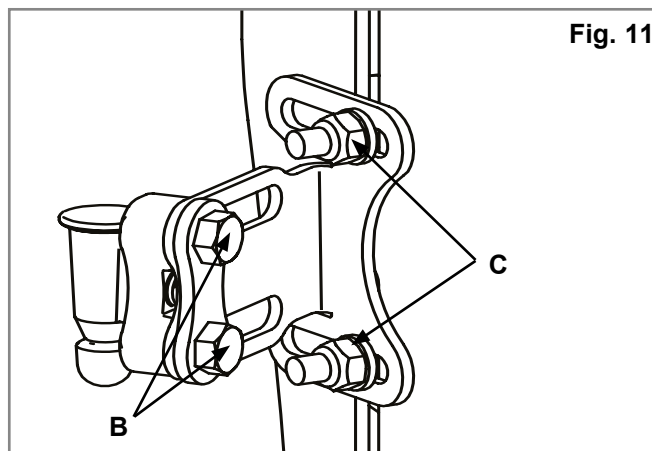


Fig. 11

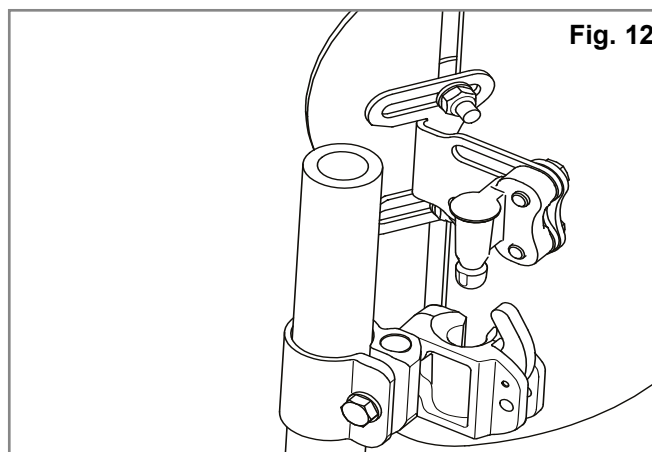


Fig. 12

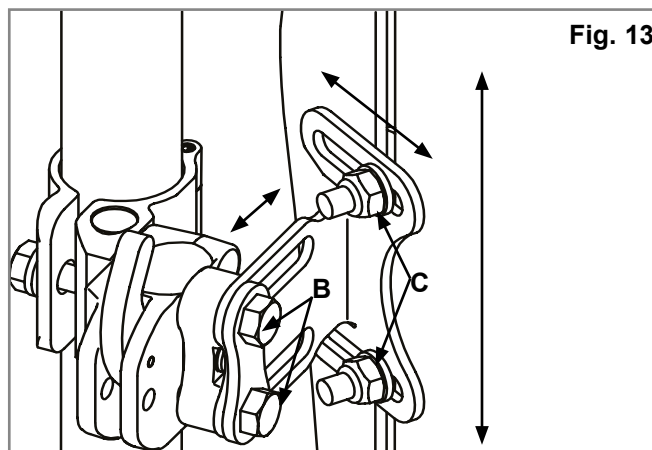


Fig. 13

AJUSTAR ALTURA, PROFUNDIDADE E ÂNGULO DE J3

A primeira fase da instalação do Encosto J3 Carbon está completa.

Agora é a altura apropriada para sentar o utilizador na cadeira para personalizar o Encosto J3 Carbon. O utilizador não deve aplicar o seu peso total no encosto porque ainda não foi completamente apertado segundo os requisitos de torção.

1. Ajustamento da Altura (Fig. 14).

- Com o utilizador na cadeira, determine a altura pretendida do encosto. Quando a determinar, o utilizador deve remover o seu peso do Encosto J3 Carbon inclinando-se ou movendo-se parcialmente para a frente, se possível, para permitir ajustar o encosto.
- Desaperte as porcas do suporte (C) e ajuste a altura da cobertura do encosto para a posição pretendida.
- Aperte com firmeza as porcas do suporte (C). A força de torção recomendada é 8,5 – 9,3 Nm.

NOTA: Depois de ajustar a altura, verifique se a largura não foi inadvertidamente alterada.

2. Ajustamentos de profundidade/ângulo (Fig. 11, 12, 13 e 14).

Lembre-se de que há dois tipos de hardware que podem ser encomendados – hardware fixo (Fig. 15) ou hardware de desbloqueio rápido (Fig. 16). Ambos os conjuntos de hardware têm os mesmos

Ajustamentos mas o hardware fixo permite ajustar a profundidade até 1,6 polegadas (4 cm) (Fig. 15) enquanto que o hardware de desbloqueio rápido (hardware removível) permite ajustar a profundidade até 1,1 polegadas (2.9 cm) (Fig. 16).

- Para ajustar a profundidade e o ângulo do encosto J3 Carbon desaperte os parafusos esquerdo e direito (B) - (Fig. 16) nas ranhuras do suporte.
- Ajuste a profundidade e/ou ângulo e aperte firmemente. A força de torção recomendada é 11,3-12,4 Nm. Certifique-se de que nenhum dos parafusos de ajustamento de profundidade (Fig. 16), (B), escorrega ou roda.

NOTA: Antes de voltar a instalar os parafusos, é recomendável a aplicação de uma massa para roscas de média força. Por exemplo, loctite 243 é altamente recomendado para o recetor e roscas dos parafusos, se pretender reposicionar o encosto.

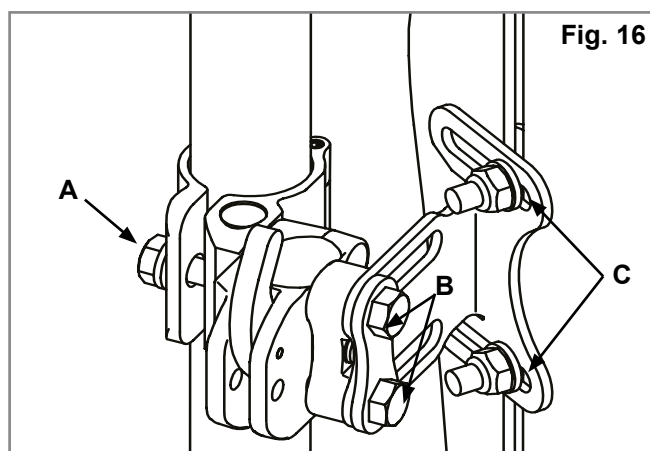
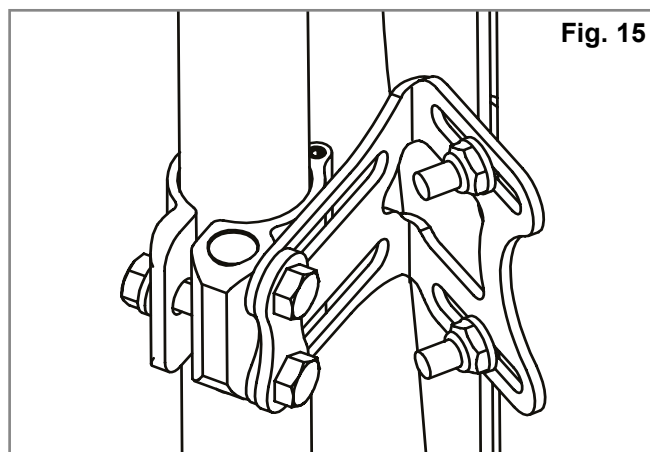
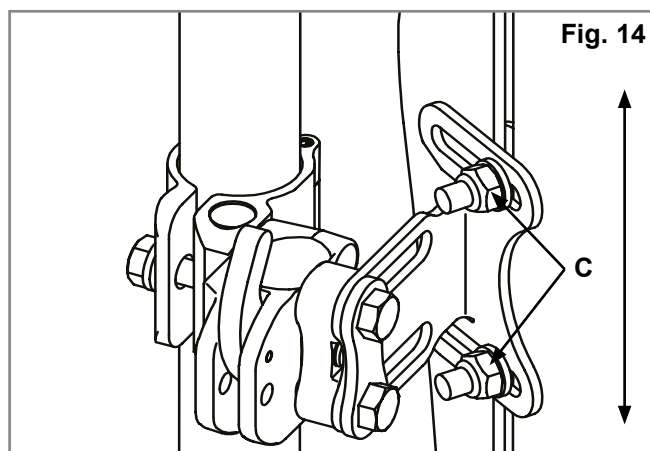
Especificações recomendadas de binário:

Parafusos (A) & (B): 11,3 - 12,4 Nm

Porcas (C): 8,5 – 9,3 Nm

⚠ AVISO!

Verifique se todo o hardware foi firmemente apertado depois de completar todos os ajustamentos e o Encosto J3 Carbon está pronto a ser usado.



REMOÇÃO E SUBSTITUIÇÃO

Remoção – hardware de desbloqueio rápido

Após a instalação e ajustamento, o encosto pode ser facilmente removido da cadeira de rodas, se necessário.

Para remover, empurre cada manípulo de libertação para a frente para desbloquear, (Fig. 17). Quando ambas as alavancas estiverem na posição dianteira, basta levantar o encosto diretamente para cima, (Fig. 18), com o manípulo na parte superior do encosto.

Reinstalação correta depois da remoção

Para fixar de novo os recetores de hardware, basta alinhar os pinos aos recetores e empurrar para a sua posição.

Se inserir corretamente, os pinos “encaixam” numa posição bloqueada, (Fig. 19-20).

⚠️ AVISO!

Se não tiver a certeza de que ouviu um “click” de encaixe, puxe o encosto usando a asa para garantir que está bem fixa.

Remoção – hardware fixo

Se o seu encosto J3 Carbon for de hardware fixo, siga as instruções em baixo para o remover da cadeira de rodas:

1. Desaperte e remova o parafuso da dobradiça (A) do grampo esquerdo e direito com a chave de 10 mm.
2. Abra a dobradiça e desencaixe o encosto J3 Carbon, (Fig. 21).

Nova instalação depois da remoção Para instalar novamente o encosto, siga as instruções deste manual(página 9).

Fig. 18

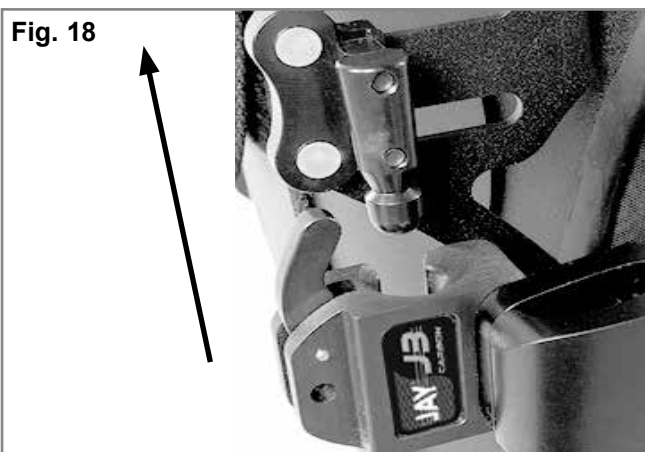


Fig. 19

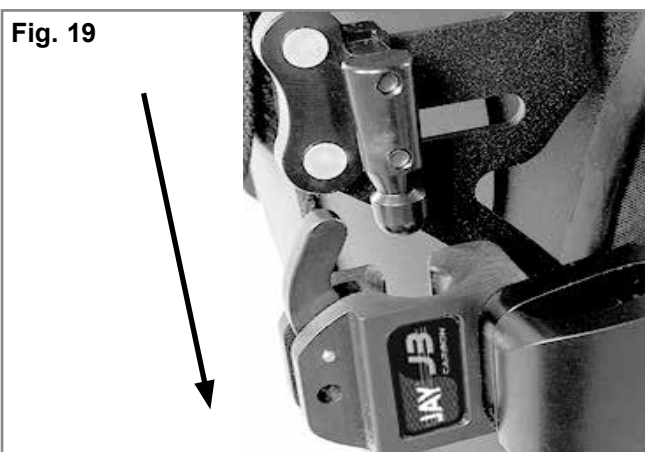


Fig. 20

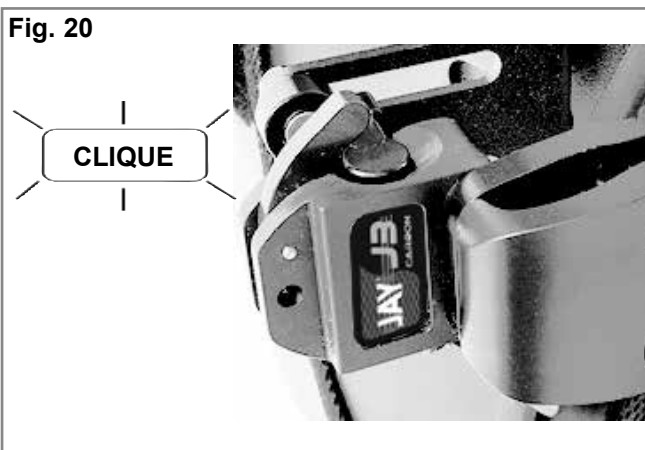
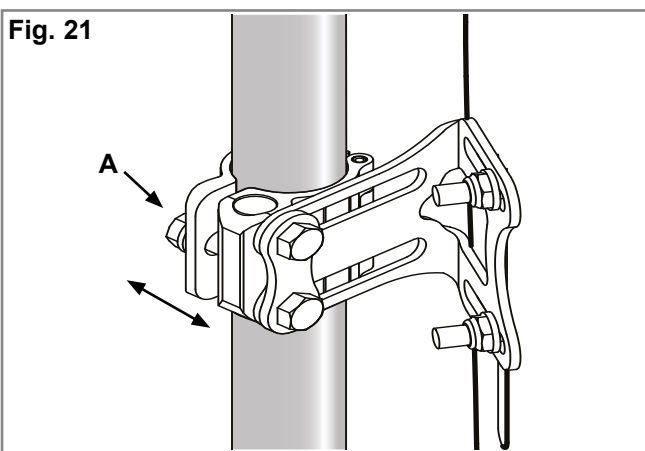


Fig. 17



Fig. 21



INSTALAÇÃO DA ABA DE PROTEÇÃO

1. Levante a aba superior da Capa do Encosto J3 Carbon (Fig. 22)
2. Faça corresponder o gancho com a argola e fixe a Aba de Proteção à parte traseira da Capa do Encosto J3 Carbon (Fig. 23). Reposicione a aba superior da capa para entalar a Aba de Proteção entre as abas da aba superior e inferior (Fig. 24).
3. Remova a Almofada do Assento da cadeira de rodas e entale a "cauda" da Aba de Proteção entre a superfície de apoio da cadeira de rodas e da Almofada do Assento (Fig. 25).
4. Ajuste a Aba de Proteção, se necessário, movendo a cauda para dentro e para fora debaixo da Almofada do Assento. Se necessário, também pode mover a parte superior da aba de proteção para cima e para baixo no Encosto do Assento.
5. Insira o gancho e as presilhas em argola através dos ilhós apropriados na aba de proteção, depois enrole à volta da estrutura da cadeira de rodas e insira a extremidade principal através da extremidade da ranhura da presilha (Fig. 26-27). Encoste e feche as folgas exteriores da aba de proteção (Fig. 28).



Fig. 24



Fig. 25



Fig. 26



Fig. 22



Fig. 27



Fig. 23



Fig. 28

CONTRA-INDICAÇÕES

AVISO!

Não use ou receite este encosto a alguém cujo peso seja superior ao Peso Máximo de Utilizador indicado.

RECICLAGEM / REUTILIZAÇÃO:

AVISO!

Risco de ferimento.

Peça sempre a um fornecedor Sunrise Medical autorizado para inspecionar o produto para determinar se está danificado ou desgastado antes de o entregar a outro utilizador. Se encontrar qualquer tipo de dano, **NÃO USE ESTE PRODUTO.**

Se não respeitar estes avisos, poderá causar ferimentos graves.

Este produto pode ser reutilizado*:

Peça a um fornecedor Sunrise Medical autorizado para inspecionar a cobertura, hardware de montagem, espuma e capa para verificar sinais de danos ou de desgaste. Se encontrar qualquer dano, não reutilize. Limpe e desinfete a cobertura, hardware de montagem, espuma e capa de acordo com as normas locais do governo. Consulte o Departamento de Controlo de Doenças Infeciosas local para obter aconselhamento. Depois de limpar e de desinfetar, peça a um fornecedor Sunrise Medical aprovado para inspecionar a cobertura, hardware, espuma e capa para garantir que o processo de limpeza/desinfecção não causou qualquer tipo de dano.

GARANTIA LIMITADA DE 24 MESES

Cada Encosto Jay J3 Carbon foi cuidadosamente inspecionado e testado para garantir a máxima qualidade. Cada Encosto Jay J3 Carbon tem a garantia de não apresentar defeitos de material e de fabrico por um período de 24 meses desde a data de compra, desde que a sua utilização seja normal. Caso ocorram defeitos de material e de fabrico durante os 24 meses a contar da data de compra original, a Sunrise Medical pode, se assim o entender, repará-la ou substituí-la gratuitamente.

Esta garantia não se aplica a furos, rasgões ou queimaduras futuras, nem à capa removível do encosto. As reclamações e reparações deverão ser processadas através do fornecedor autorizado mais próximo. Exceto no caso de garantias expressas nesta documentação, todas as restantes garantias, incluindo garantias implícitas de exploração comercial e garantias de aplicação com objectivos específicos são excluídas. Não existem garantias que sejam mais abrangentes que a descrição nesta documentação. Reclamações pela violação das garantias expressas nesta documentação estão limitadas à reparação ou substituição de peças. Em caso algum, os danos causados pela violação de qualquer garantia incluirão danos consequentes ou excedem o custo de peças sem conformidade.

Η Sunrise Medical συνιστά να συμβουλευτείτε κάποιον ειδικό, όπως ιατρό ή θεραπευτή, με πείρα στην καθιστή στάση και τη στάση γενικά, για να καθορίσει αν μια πλάτη J3 Carbon είναι κατάλληλη.

⚠️ ΠΡΟΕΙΔΟΠΟΙΗΣΗ!

Οι πλάτες πρέπει να τοποθετούνται μόνο από:

- Εξουσιοδοτημένο προμηθευτή της Sunrise Medical,
- Αρμόδιο επαγγελματία στο χώρο της υγείας που έχει παρακολουθήσει κατάλληλη πιστοποιημένη εκπαίδευση είτε από την Sunrise Medical είτε από εγκεκριμένο προμηθευτή της.

ΠΡΟΟΡΙΖΟΜΕΝΗ ΧΡΗΣΗ ΤΗΣ ΠΛΑΤΗΣ JAY J3 CARBON

Η πλάτη Jay J3 Carbon προορίζεται για να παρέχει υποστήριξη πλάτης σε ένα μεγάλο εύρος χρηστών αναπηρικών πολυθρονών. Είναι σχεδιασμένο για να παρέχει απλή, άνετη και αποτελεσματική υποστήριξη ώστε να συμβάλλει στη μεγιστοποίηση της λειτουργίας και την αύξηση της ανοχής σε καθιστή στάση. Επιπλέον, είναι ελαφρύ, ανθεκτικό και εύκολο στη χρήση.

Η πλάτη μπορεί να εγκατασταθεί σε ένα μεγάλο εύρος αναπηρικών πολυθρονών.

Μέγιστο βάρος χρήστη: 125 κιλά

Η προοριζόμενη διάρκεια ζωής της πλάτης είναι 2 χρόνια.

⚠️ ΠΡΟΕΙΔΟΠΟΙΗΣΗ!

Η εγκατάσταση υποστήριξης πλάτης σε μια αναπηρική πολυθρόνα μπορεί να επηρεάσει το κέντρο βάρους της αναπηρικής πολυθρόνας και να προκαλέσει την ανατροπή της προς τα πίσω με αποτέλεσμα πιθανό τραυματισμό.

Εκτιμήστε την πιθανή ανάγκη για προσθήκη αντιανατρεπτικών τροχών ή προέκταση άξονα του κέντρου βάρους στην αναπηρική πολυθρόνα για να αυξήσετε τη σταθερότητα.

⚠️ ΠΡΟΕΙΔΟΠΟΙΗΣΗ!

Μην χρησιμοποιείτε την πλάτη J3 Carbon για να σπρώξετε ή να σηκώσετε την αναπηρική πολυθρόνα.

Η λανθασμένη χρήση ενδέχεται να προκαλέσει την απρόσμενη αποσύνδεση της πλάτης από την αναπηρική πολυθρόνα.

⚠️ ΠΡΟΕΙΔΟΠΟΙΗΣΗ!

Μην χρησιμοποιείτε τη λαβή της πλάτης J3 Carbon για να σηκώσετε την αναπηρική πολυθρόνα. Προορίζεται μόνο για την αφαίρεση της πλάτης.

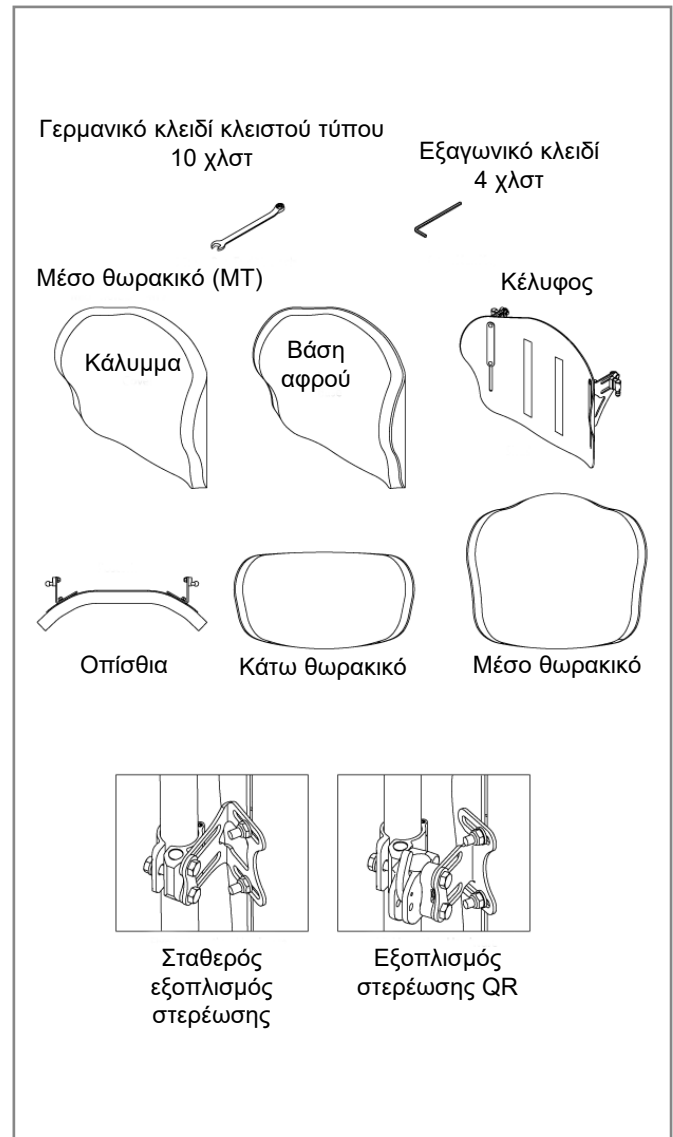
⚠️ ΠΡΟΕΙΔΟΠΟΙΗΣΗ!

Η απροσεξία προκαλεί πυρκαγιά

⚠️ ΠΡΟΕΙΔΟΠΟΙΗΣΗ!

Διαβάστε το εγχειρίδιο πριν από τη χρήση.

ΠΛΑΤΗ J3 CARBON



ΣΥΝΤΗΡΗΣΗ

Η Sunrise συνιστά να ελέγχονται όλες οι συνδέσεις για φθορά, όπως χαλαρά μπουλόνια ή σπασμένα εξαρτήματα κάθε 6 μήνες. Οι χαλαρές συνδέσεις πρέπει να σφίγγονται ξανά σύμφωνα με τις οδηγίες τοποθέτησης. Όλες οι συνδέσεις πρέπει να σφίγγονται σύμφωνα με τις προδιαγραφές ροπής που αναφέρονται στο τμήμα τοποθέτησης υλικού. Επικοινωνήστε αμέσως με τον εξουσιοδοτημένο προμηθευτή της Sunrise Medical για να αντικαταστήσετε τυχόν σπασμένα εξαρτήματα. Μη συνεχίσετε να χρησιμοποιείτε το σύστημα αφού ανακαλύψετε ότι έχει χαλαρά ή σπασμένα εξαρτήματα.

ΕΥΚΟΛΟΣ ΚΑΘΑΡΙΣΜΟΣ

ΣΗΜΕΙΩΣΗ: Όταν αποσυναρμολογείτε την πλάτη για καθαρισμό, παρατηρήστε τη θέση των εξαρτημάτων ευθυγράμμισης σπονδυλικής στήλης Velcro® για σωστή επανα-συναρμολόγηση.

Για να καθαρίσετε το κάλυμμα πλάτης

Αφαιρέστε το κάλυμμα με την αποσύνδεση του Velcro. Αποσυνδέστε το κάλυμμα από το κέλυφος της πλάτης. Εντοπίστε το φερμουάρ στο κάτω μέρος του καλύμματος και ανοίξτε το. Αφαιρέστε το αφρολέξ και γυρίστε το κάλυμμα ανάποδα. Κλείστε το φερμουάρ του καλύμματος για να αποφύγετε το "πιάσιμο". Πλύντε στο πλυντήριο με ζεστό νερό (60° C) Αφήστε να στεγνώσει φυσικά ή στεγνώστε το σε στεγνωτήριο σε χαμηλή θερμότητα.

ΣΗΜΕΙΩΣΗ: Μην πλένετε τα καλύμματα με στεγνό καθαρισμό και μη χρησιμοποιείτε βιομηχανικά πλυντήρια και στεγνωτήρια για να καθαρίσετε το κάλυμμα. Μην τοποθετείτε σε κλίβανο με ατμό. Μη χρησιμοποιείτε χλωρίνη.

Τοποθετήστε ξανά το αφρολέξ στο κάλυμμα. Σημειώστε ότι η βάση έχει δύο στρώσεις αφρολέξ. Όταν τοποθετήσετε ξανά το αφρολέξ, βεβαιωθείτε ότι το πιο λεπτό αφρολέξ με "ανοικτό γκρι" χρώμα είναι στραμμένο προς το κέλυφος. Όταν το αφρολέξ τοποθετηθεί σωστά μέσα στο κάλυμμα, κλείστε το φερμουάρ του καλύμματος.

Για να καθαρίσετε το κέλυφος της πλάτης

Μπορείτε να πλένετε το κέλυφος σκουπίζοντάς το με σαπούνι και νερό. Δεν χρειάζεται καμία άλλη συντήρηση.

Για να καθαρίσετε τα εξαρτήματα τοποθέτησης

Μπορείτε να καθαρίσετε τα εξαρτήματα τοποθέτησης σκουπίζοντάς τα με σαπούνι και νερό. Μην βυθίζετε τα εξαρτήματα τοποθέτησης μέσα σε νερό.

Σε περίπτωση που έχετε επιπλέον ερωτήσεις σχετικά με διαδικασίες καθαρισμού, επικοινωνήστε με τον εξουσιοδοτημένο αντιπρόσωπο της Sunrise Medical.

Σύμβολα φροντίδας στο πλύσιμο	
	Πλύντε στο πλυντήριο με ζεστό νερό (60° C)
	Μόνο λευκαντικό χωρίς χλωρίνη, όταν απαιτείται
	Στεγνώστε φυσικά
	Μην σιδερώνετε
	Μην πλένετε με στεγνό καθαρισμό

ΚΑΘΟΡΙΣΜΟΣ ΣΥΜΒΑΤΟΤΗΤΑΣ**Τύποι αναπηρικής πολυθρόνας**

Η πλάτη J3 Carbon είναι σχεδιασμένη για να είναι συμβατή με τις περισσότερες αναπηρικές πολυθρόνες, με τις ακόλουθες εξαιρέσεις:

Δεν πρέπει να χρησιμοποιούνται αναπηρικές πολυθρόνες που ρυθμίζονται υπό γωνία και αναπηρικές πολυθρόνες με ανάκλιση ή κλίση που έχουν ως αποτέλεσμα γωνία πλάτης μεγαλύτερη από 60 μοίρες από την κάθετη θέση.

⚠️ ΠΡΟΕΙΔΟΠΟΙΗΣΗ!

Η χρήση με αυτούς τους τύπους αναπηρικών πολυθρόνων μπορεί να προκαλέσει την τυχαία αποσύνδεση της πλάτης από την αναπηρική πολυθρόνα με αποτέλεσμα να προκύψει πτώση και πιθανότητα σοβαρού τραυματισμού.

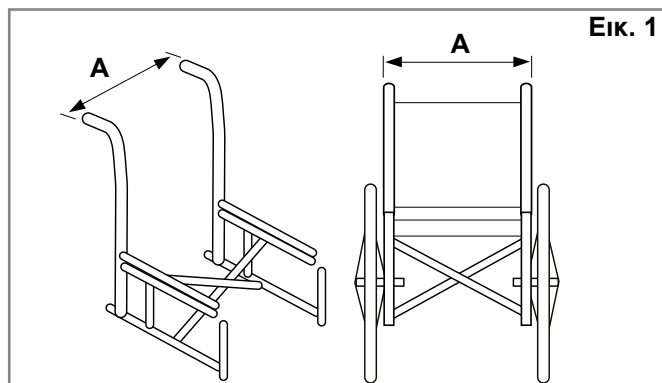
Διαστάσεις αναπηρικής πολυθρόνας

Η πλάτη J3 Carbon είναι σχεδιασμένη να αντικαθιστά την ταπετσαρία πλάτης της αναπηρικής πολυθρόνας. Πριν από την τοποθέτηση προσδιορίστε εάν η αναπηρική πολυθρόνα που χρησιμοποιείτε έχει συμβατές ράβδους πλάτης μετρώντας το πλάτος μεταξύ των ράβδων πλάτης, όπως απεικονίζεται στην Εικόνα 1. Μετά, χρησιμοποιώντας αυτή τη μέτρηση, δείτε τον Πίνακα 1 (Σταθερή στερέωση) ή τον Πίνακα 2 (Γρήγορη αποδέσμευση) για να καθορίσετε εάν η πλάτη θα ταιριάζει με την πολυθρόνα σας.

Στη συνέχεια ελέγξτε ότι η διάμετρος των ράβδων πλάτης είναι συμβατή.

Ο εξοπλισμός πλάτης J3 Carbon μπορεί να στερεωθεί στις ράβδους πλάτης της αναπηρικής πολυθρόνας με διάμετρο 3/4" (19mm)(με ένθετο), 7/8" (22mm)(με ένθετο) ή 1" (25mm)(χωρίς ένθετο).

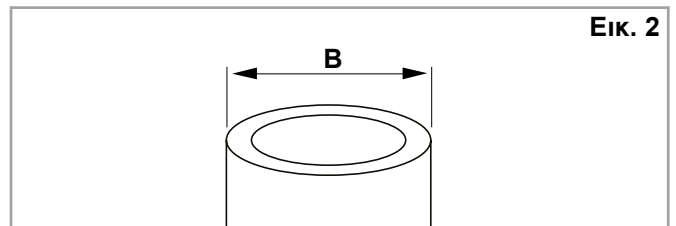
Αν δεν μπορείτε να προσδιορίσετε εάν οι ράβδοι πλάτης είναι συμβατοί επικοινωνήστε με εξουσιοδοτημένο προμηθευτή της Sunrise Medical ή με την Εξυπηρέτηση πελατών της Sunrise Medical.

**Εικ. 1****Πίνακας 1**

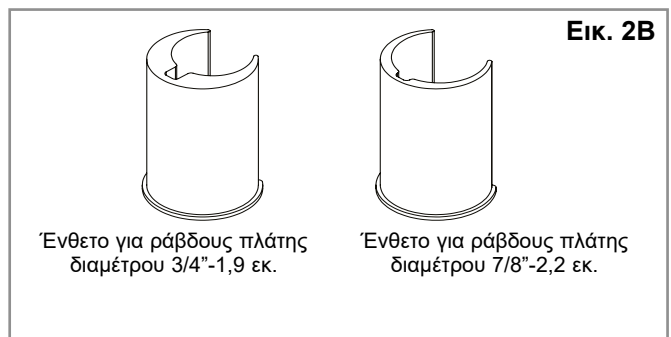
ΠΛΑΤΟΣ ΠΛΑΤΗΣ J3 CARBON Σταθερή στερέωση	Αποστάτης	Πλάτος των ραβδών πλάτης από το εξωτερικό μέχρι το εξωτερικό των σωλήνων, (Εικ. 1-A)	
		Ελάχιστο πλάτος	Μέγιστο πλάτος
32 εκ.	ΌΧΙ	29 εκ.	33 εκ.
	ΝΑΙ	31 εκ.	35 εκ.
36 εκ.	ΌΧΙ	34 εκ.	38 εκ.
	ΝΑΙ	36 εκ.	40 εκ.
41 εκ.	ΌΧΙ	39 εκ.	43 εκ.
	ΝΑΙ	41 εκ.	45 εκ.
46 εκ.	ΌΧΙ	44 εκ.	48 εκ.

Πίνακας 2

ΠΛΑΤΟΣ ΠΛΑΤΗΣ J3 CARBON Γρήγορη αποδέσμευση		Πλάτος των ραβδών πλάτης από το εξωτερικό μέχρι το εξωτερικό των σωλήνων, (Εικ. 1-A)	
		Ελάχιστο πλάτος	Μέγιστο πλάτος
32 εκ.		31 εκ.	36 εκ.
36 εκ.		36 εκ.	41 εκ.
41 εκ.		41 εκ.	46 εκ.
46 εκ.		46 εκ.	51 εκ.

**Εικ. 2****Πίνακας 3**

Πλάτος πλάτης J3 Carbon	Διάμετρος ράβδου (Εικ. 2)			
	Ελάχιστο πλάτος Ίντσα	Ελάχιστο πλάτος cm	Μέγιστο πλάτος Ίντσα	Μέγιστο πλάτος cm
12,6-18" (32-46 εκ.)	3/4	1,9	1,0	2,2

**Εικ. 2B**

ΤΟΠΟΘΕΤΗΣΗ ΤΟΥ ΥΛΙΚΟΥ ΕΞΟΠΛΙΣΜΟΥ ΣΤΕΡΕΩΣΗΣ

Διαβάστε τις παρακάτω οδηγίες πριν ξεκινήσετε την τοποθέτηση.

Για να τοποθετήσετε την πλάτη J3 Carbon, είναι καλύτερα να ξεκινήσετε χωρίς να κάθεται ο χρήστης στην αναπηρική πολυθρόνα. Όταν τοποθετηθεί η πλάτη και απαιτούνται μικρές ρυθμίσεις, ο χρήστης μπορεί να καθίσει ξανά στην αναπηρική πολυθρόνα.

Απαιτούμενα εργαλεία (περιλαμβάνονται με την πλάτη J3 Carbon)*

- Εξαγωνικό κλειδί 4 mm, (χρειάζεται μόνο για το σπιλ QR)
- Γαλλικό κλειδί 10 mm.

ΣΗΜΕΙΩΣΗ:Όποτε καθορίζονται ρυθμίσεις ροπής, συνιστάται ένθερμα να χρησιμοποιείται ένα ροπόκλειδο (δεν περιλαμβάνεται με την πλάτη Jay3) για να επιβεβαιωθεί ότι έχει επιτευχθεί η σωστή προδιαγραφή ροπής.

Οδηγίες εγκατάστασης για το σταθερό σύστημα στερέωσης, (Εικόνες 3, 4, 5).

1. Βγάλτε την υπάρχουσα πλάτη της αναπηρικής πολυθρόνας σύμφωνα με τις οδηγίες του κατασκευαστή της αναπηρικής πολυθρόνας.

ΣΗΜΕΙΩΣΗ:Αν το πλάτος της αναπηρικής πολυθρόνας σας έχει πλάτος 34cm, 40cm ή 44cm wide, θα πρέπει να εγκαταστήσετε τους αποστάτες που παρέχονται με την πλάτη: Δείτε Οδηγίες παρακάτω:

2. Χρησιμοποιώντας το τετραγωνισμένο κλειδί 10mm που συμπεριλαμβάνεται, χαλαρώστε αλλά μην αφαιρέσετε τα παξιμάδια (C) και τις βίδες (B).
3. Χρησιμοποιώντας το τετραγωνισμένο κλειδί 10mm, χαλαρώστε και αφαιρέστε τη βίδα (A). Ανοίξτε το μεντεσέ για να επιτραπεί η τοποθέτηση γύρω από το σωλήνα ραβδών πλάτης της αναπηρικής πολυθρόνας.
4. Τοποθετήστε τον εξοπλισμό στερέωσης στο επιθυμητό ύψος στις ράβδους πλάτης της αναπηρικής πολυθρόνας και μετά κλείστε το μεντεσέ και σφίξτε τη βίδα μεντεσέ (A). Ο εξοπλισμός στερέωσης θα πρέπει να είναι περίπου στο ίδιο ύψος σε κάθε στύλο πλάτης. Οι υψηλότερες τοποθεσίες είναι γενικά καλύτερες.

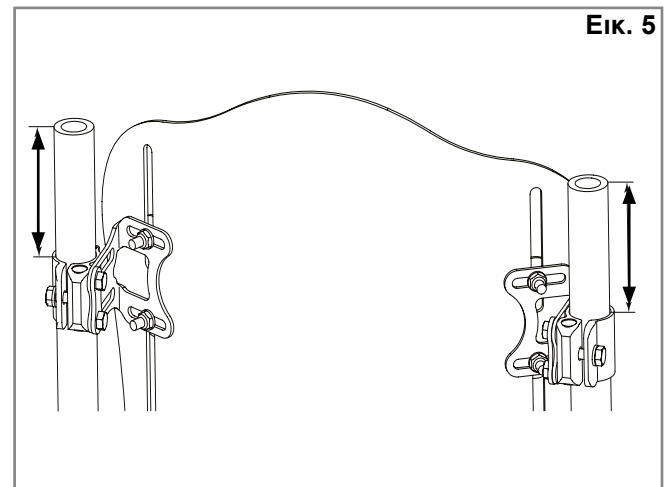
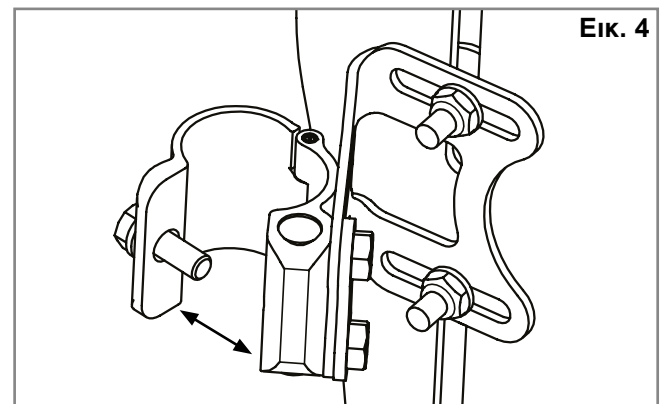
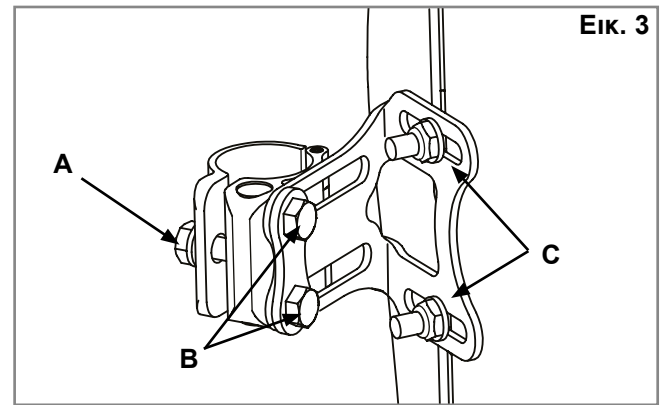
ΣΗΜΕΙΩΣΗ:Για σωλήνα πλάτης με διάμετρο μικρότερη από 25mm, χρησιμοποιήστε αποστάτη κατάλληλου μεγέθους.

5. Ρυθμίστε την πλάτη στην επιθυμητή θέση, βάθος, κλίση και ύψος και μετά σφίξτε τις βίδες (B) και τα παξιμάδια (C).

Σφίξτε όλα τα παξιμάδια και βίδες:

Συνιστώμενες προδιαγραφές ροπής:

- Βίδες (A) και (B): 11,3 – 12,4 Nm
- Παξιμάδια (C): 8,5 – 9,3 Nm



ΟΔΗΓΙΕΣ ΕΓΚΑΤΑΣΤΑΣΗΣ ΚΙΤ ΑΠΟΣΤΑΤΗ:

(Εικ. 6, 7).

ΣΗΜΕΙΩΣΗ: Χρειάζεται μόνο για πλάτη 34 εκ., 40 εκ. και 44 εκ.

1. Αφαιρέστε τις δύο (2) βίδες (B) που συγκρατούν το βραχίονα στερέωσης στη διάταξη σφιγκτήρα ράβδου πλάτης, (Εικ. 6).

ΣΗΜΕΙΩΣΗ: Όταν αφαιρέσετε αυτές τις βίδες, τα παξιμάδια θα είναι χαλαρά. Όταν αφαιρέσετε αυτές τις βίδες, τα παξιμάδια θα είναι χαλαρά.

2. Τοποθετήστε τον αποστάτη (D) μεταξύ του βραχίονα και της διάταξης σφιγκτήρα.
3. Τοποθετήστε ξανά τα παξιμάδια, εάν απαιτείται, και ευθυγραμμίστε τις οπές ώστε να ταιριάζουν με τις βίδες. Προσαρτήστε τις μακρύτερες (M6 x 25) βίδες που περιέχονται στο kit.

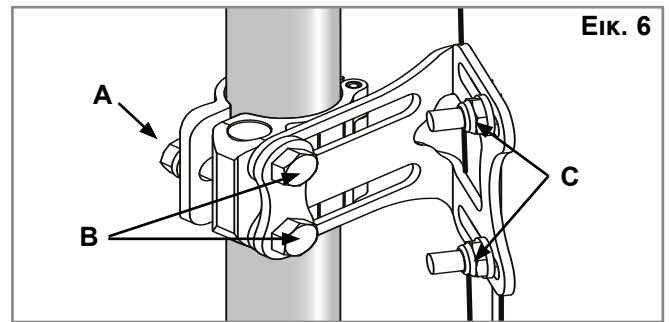
ΟΔΗΓΙΕΣ ΕΓΚΑΤΑΣΤΑΣΗΣ ΓΙΑ ΤΟ ΣΥΣΤΗΜΑ ΣΤΕΡΕΩΣΗΣ ΓΡΗΓΟΡΗΣ ΑΠΟΔΕΣΜΕΥΣΗΣ

(Εικ. 8, 9, 10,).

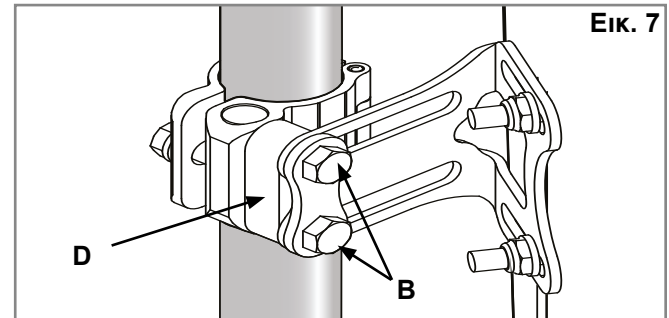
1. Βγάλτε την υπάρχουσα πλάτη της αναπηρικής πολυθρόνας σύμφωνα με τις οδηγίες του κατασκευαστή της αναπηρικής πολυθρόνας.
2. Καθορίστε οπτικά την επιθυμητή θέση των δεκτών στις ράβδους πλάτης της αναπηρικής πολυθρόνας. Ο εξοπλισμός στερέωσης θα πρέπει να βρίσκεται σε περίπου ίσο ύψος σε κάθε στύλο πλάτης (Εικ. 8) και παράλληλα προς το πλαίσιο καθίσματος (Εικ. 9). Οι υψηλότερες θέσεις στις ράβδους πλάτης είναι καλύτερες σε γενικές γραμμές.
3. Συνδέστε τους δέκτες του υλικού εξοπλισμού. (Εικ. 10) Χρησιμοποιώντας το τετραγωνισμένο κλειδί 10mm, χαλαρώστε και αφαιρέστε τη βίδα (A). Ανοίξτε το μεντεσέ ώστε να επιτραπεί η τοποθέτηση γύρω από το σωλήνα πλάτης της αναπηρικής πολυθρόνας.

ΣΗΜΕΙΩΣΗ: Για διαμέτρους σωλήνων πλάτης μικρότερες από 25mm, χρησιμοποιήστε αποστάτη κατάλληλου μεγέθους.

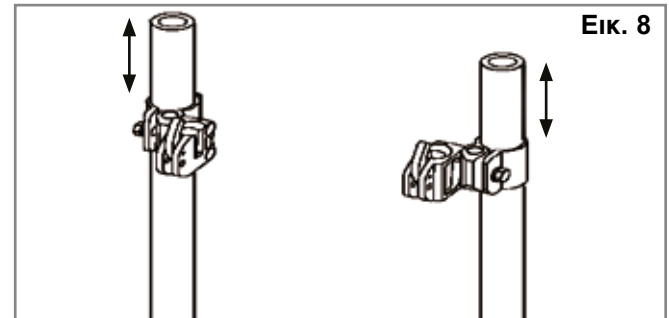
- Συνδέστε και ευθυγραμμίστε το δέκτη με τις ράβδους πλάτης της αναπηρικής πολυθρόνας.
- Σφίξτε με το χέρι τις βίδες σφιγκτήρα (A).

ΣΗΜΕΙΩΣΗ: Οι δέκτες ενδέχεται να χρειαστούν πρόσθετη πλευρική ρύθμιση για να διασφαλιστεί η σωστή ευθυγράμμιση.

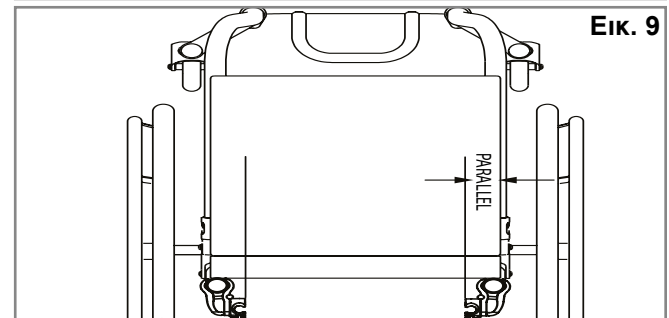
Εικ. 6



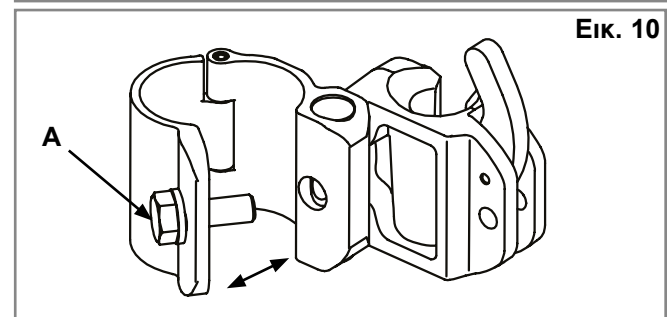
Εικ. 7



Εικ. 8



Εικ. 9



Εικ. 10

ΣΥΝΔΕΣΗ ΚΑΙ ΕΥΘΥΓΡΑΜΜΙΣΗ ΤΟΥ ΚΕΛΥΦΟΥΣ ΠΛΑΤΗΣ

(Εικ. 11, 12, 13).

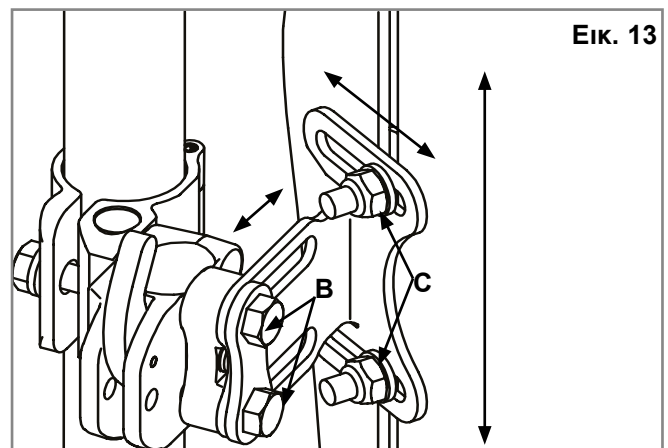
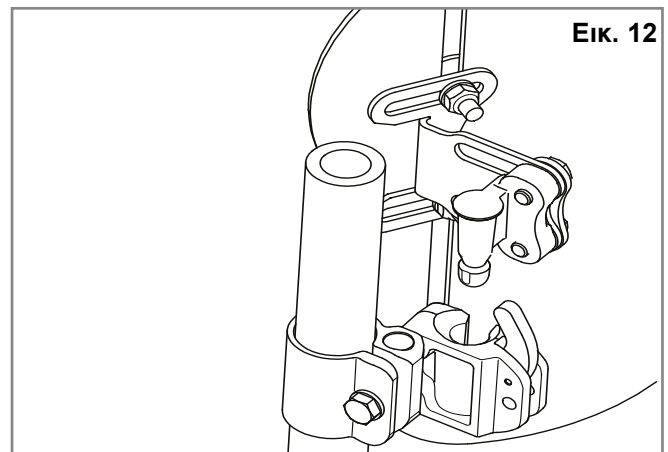
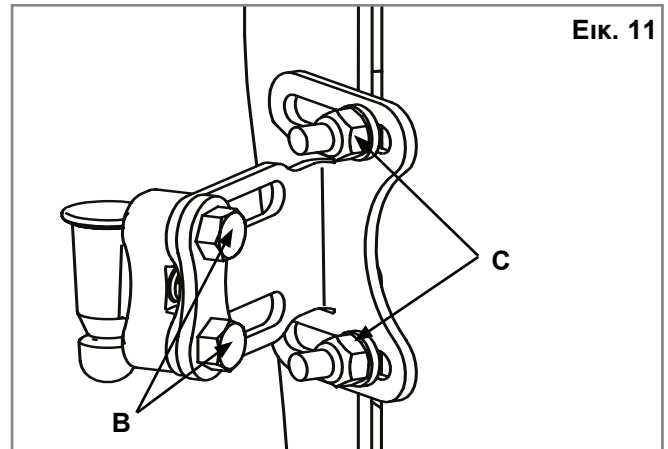
- a. Χρησιμοποιώντας το κλειδί 10mm, χαλαρώστε αλλά μην αφαιρέσετε τις βίδες πείρου στερέωσης (B) και τα παξιμάδια βραχίονα (C).
- b. Προσαρτήστε την πλάτη J3 Carbon στον εξοπλισμό στερέωσης εισάγοντας τους πείρους δέκτη στους δέκτες, (Εικ. 12).
- c. Προσαρμόστε την πλάτη στην επιθυμητή θέση, (Εικ. 13), βάθος, κλίση και ύψος και μετά σφίξτε με το χέρι τις βίδες (B) και τα παξιμάδια (C).

ΣΗΜΕΙΩΣΗ: Το βάθος και η γωνία της πλάτης ενδέχεται να χρειαστούν πρόσθετη ρύθμιση για να διασφαλιστεί η σωστή εφαρμογή για το χρήστη.

- d. Ελέγξτε την αποδέσμευση της πλάτης πατώντας τους μοχλούς αποδέσμευσης προς τα εμπρός και βγάζοντας την πλάτη από την πολυθρόνα. (Δείτε την ενότητα Αφαίρεση και αντικατάσταση για περισσότερες λεπτομέρειες.) Η σωστή ευθυγράμμιση του εξοπλισμού στερέωσης και της πλάτης επιτυγχάνεται όταν μπορεί να πραγματοποιηθεί εύκολα ομαλή προσάρτηση και αποδέσμευση.
- g. Αν δεν έχει επιτευχθεί σωστή ευθυγράμμιση, ρυθμίστε τα εξαρτήματα μέχρι να ευθυγραμμιστούν σωστά.
- h. Μόλις ευθυγραμμιστεί σωστά, σφίξτε όλον τον εξοπλισμό.

ΣΗΜΕΙΩΣΗ: Σφίξτε όλα τα παξιμάδια και τις βίδες μόνο όταν η πλάτη έχει ευθυγραμμιστεί σωστά:

Συνιστώμενες προδιαγραφές ροπής:
 Βίδες (A) και (B): 11,3 – 12,4 Nm
 Παξιμάδια (C): 8,5 – 9,3 Nm



ΡΥΘΜΙΣΗ ΥΨΟΥΣ, ΒΑΘΟΥΣ ΚΑΙ ΓΩΝΙΑΣ ΤΟΥ J3

Η πρώτη φάση της τοποθέτησης του υλικού εξοπλισμού της πλάτης J3 Carbon ολοκληρώθηκε.

Τώρα είναι η κατάλληλη στιγμή για να καθίσει ο χρήστης στην

πολυθρόνα ώστε να εξατομικεύσετε την πλάτη J3 Carbon.

Μην αφήσετε το χρήστη να ασκήσει πλήρη πίεση στην πλάτη επειδή δεν έχει σφιχθεί τελείως σύμφωνα με τις απαιτήσεις πλήρους ροπής.

1. Ρύθμιση ύψους (Εικ. 14).

- Με το χρήστη να κάθεται στην πολυθρόνα, καθορίστε το επιθυμητό ύψος της πλάτης. Όταν καθοριστεί, ζητήστε από το χρήστη να γείρει ή να μετακινηθεί μερικώς προς τα εμπρός, εάν είναι δυνατό, ώστε να μην ασκεί πίεση στην πλάτη J3 Carbon για να είναι δυνατή η πραγματοποίηση της ρύθμισης.
- Χαλαρώστε τα παξιμάδια βραχίονα (C) και ρυθμίστε το ύψος του κελύφους πλάτης στην επιθυμητή θέση.
- Σφίξτε καλά τα παξιμάδια βραχίονα (C). Η συνιστώμενη προδιαγραφική ροπή είναι 8,5 – 9,3 Nm.

ΣΗΜΕΙΩΣΗ: Μετά την ολοκλήρωση της ρύθμισης ύψους, ελέγξτε ότι το πλάτος δεν έχει αλλάξει κατά λάθος.

2. Ρύθμιση βάθους/γωνίας (Εικ. 11, 12, 13 και 14).

Σημειώστε ότι υπάρχουν δύο τύποι εξοπλισμού που μπορείτε

να παραγγείλετε– σταθερός εξοπλισμός (Εικ. 15) ή εξοπλισμός

γρήγορης αποδέσμευσης (Εικ. 16). Και τα δύο σετ εξοπλισμού ρυθμίζονται

το ίδιο, αλλά ο σταθερός εξοπλισμός επιτρέπει ρύθμιση βάθους 1,6 ίντσες (4 εκ.) (Εικ. 15) ενώ ο εξοπλισμός γρήγορης αποδέσμευσης (αφαιρούμενος εξοπλισμός) επιτρέπει συνολικά 1,1 ίντσες (2,9 εκ.) ρύθμιση βάθους (Εικ. 16).

- Για να ρυθμίσετε το βάθος και γωνία της πλάτης J3 Carbon, χαλαρώστε τις αριστερές και δεξιές βίδες (B)–(Εικ. 16) στις υποδοχές βραχίονα.
- Ρυθμίστε το βάθος ή/και τη γωνία και ασφαλίστε καλά. Η συνιστώμενη προδιαγραφική ροπή είναι 11,3 - 12,4 Nm. Βεβαιωθείτε ότι καμία από τις βίδες ρύθμισης βάθους (Εικ. 16), (B) δεν θα γλιστρήσει ούτε θα περιστραφεί.

ΣΗΜΕΙΩΣΗ: Πριν από την τοποθέτηση των βιδών, συνιστάται ένθερμα η εφαρμογή κατάλληλου ασφαλιστικού βιδών μεσαίου βαθμού συγκράτησης π.χ. loctite 243, στο δέκτη και στα σπειρώματα βιδών, εάν πρόκειται να τοποθετηθεί ξανά η πλάτη.

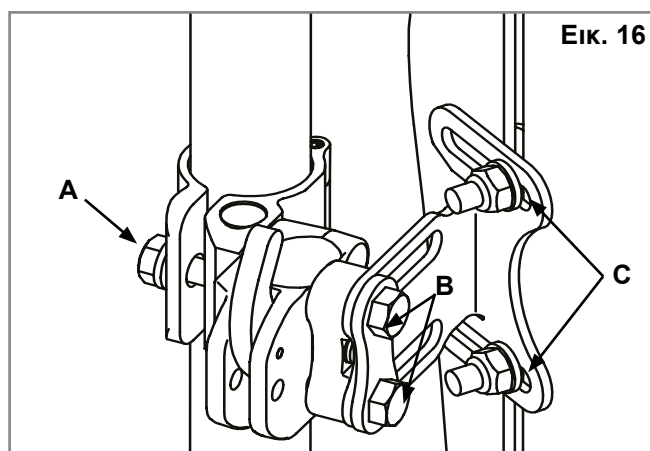
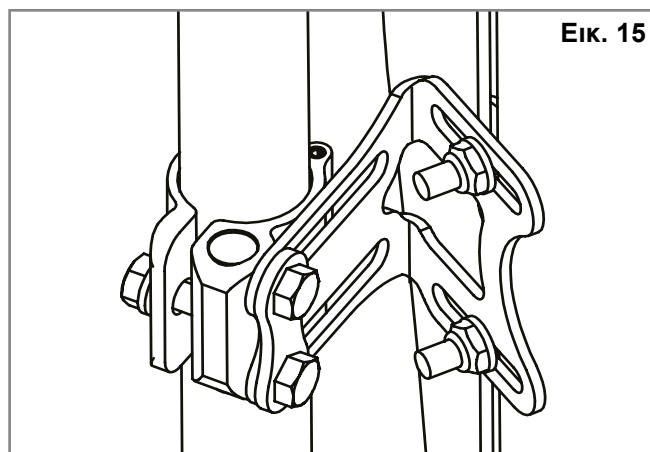
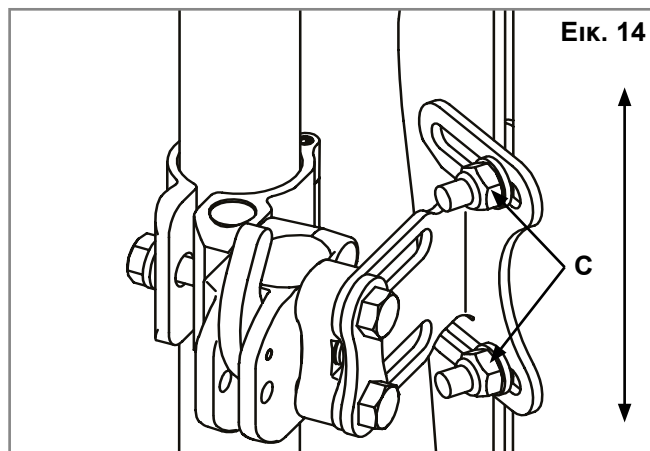
Συνιστώμενες προδιαγραφές ροπής:

Βίδες (A) και (B): 11,3 – 12,4 Nm

Παξιμάδια (C): 8,5 – 9,3 Nm

⚠ ΠΡΟΕΙΔΟΠΟΙΗΣΗ!

Μετά την ολοκλήρωση όλων των ρυθμίσεων και όταν η πλάτη J3 Carbon είναι έτοιμη για χρήση βεβαιωθείτε ότι όλος ο υλικός εξοπλισμός έχει σφιχθεί σωστά.



ΑΦΑΙΡΕΣΗ ΚΑΙ ΑΝΤΙΚΑΤΑΣΤΑΣΗ

Αφαίρεση – εξοπλισμός γρήγορης αποδέσμευσης

Μετά την εγκατάσταση και ρύθμιση, μπορείτε να αφαιρέσετε την πλάτη εύκολα από την αναπηρική πολυθρόνα, εάν απαιτείται. Για την αφαίρεση, ωθήστε κάθε μοχλό αποδέσμευσης προς τα εμπρός για να απασφαλιστεί, (Εικ. 17). Μόλις οι δύο μοχλοί βρίσκονται στην μπροστινή θέση, απλώς σηκώστε την πλάτη ευθεία προς τα πάνω, (Εικ. 18), χρησιμοποιώντας τη λαβή που βρίσκεται στο πάνω μέρος της πλάτης.

Σωστή επανασύνδεση μετά την αφαίρεση

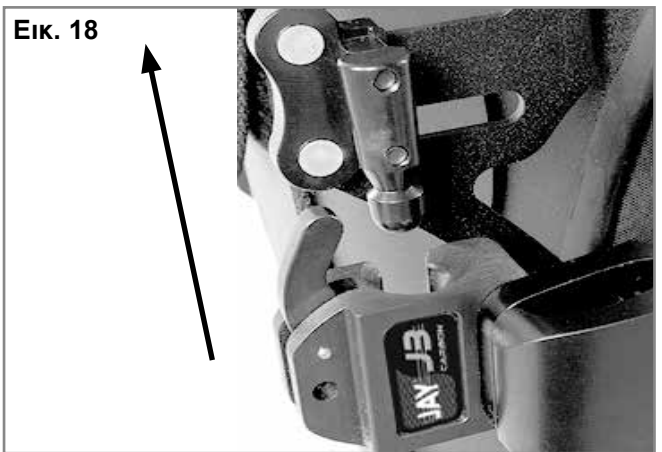
Για να συνδέσετε ξανά την πλάτη στους δέκτες υλικού εξοπλισμού, απλώς ευθυγραμμίστε τις περόνες με τους δέκτες και σπρώξτε τις στη θέση τους. Αν οι περόνες έχουν τοποθετηθεί σωστά, θα ακούσετε ένα "κλικ" στη θέση ασφάλισης (Εικ. 19-20).

⚠️ ΠΡΟΕΙΔΟΠΟΙΗΣΗ!

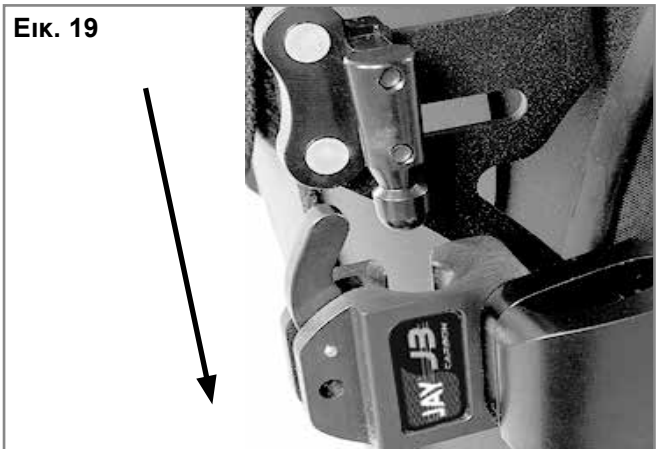
Αν δεν είστε σίγουροι ότι ακούσατε το "κλικ", τραβήξτε την πλάτη προς τα επάνω με τη χρήση της λαβής για να βεβαιωθείτε ότι έχει ασφαλίσει σωστά. Αφαίρεση – σταθερός εξοπλισμός
Εάν η πλάτη J3 Carbon έχει σταθερό εξοπλισμό, ακολουθήστε τα παρακάτω βήματα για να την αφαιρέσετε από την αναπηρική πολυθρόνα:

1. Χαλαρώστε και αφαιρέστε τη βίδα μεντεσέ (A) από τον αριστερό και δεξιό σφιγκτήρα χρησιμοποιώντας κλειδί 10mm.
2. Ανοίξτε το μεντεσέ και αποσυνδέστε την πλάτη J3 Carbon, (Εικ. 21).
Για τη σωστή επανασύνδεση της πλάτης μετά την αφαίρεση, ακολουθήστε τις οδηγίες εγκατάστασης που περιγράφονται στο παρόν εγχειρίδιο(σελίδα 9).

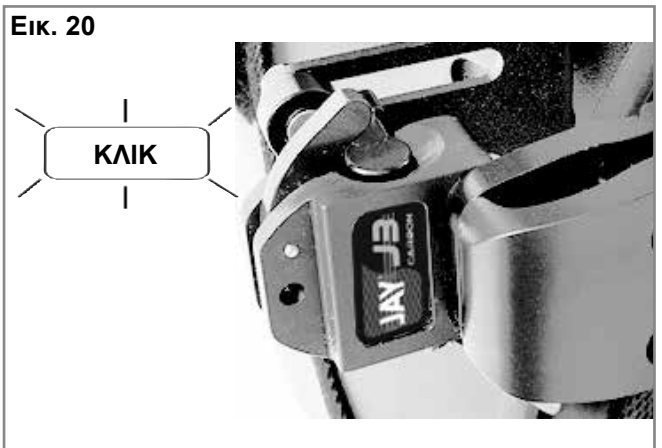
Εικ. 18



Εικ. 19



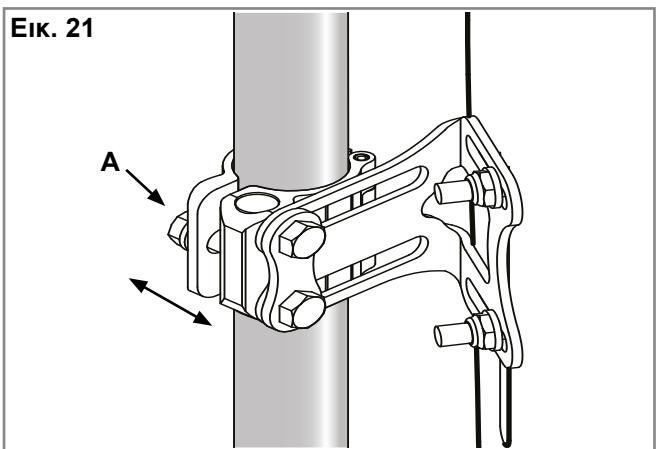
Εικ. 20



Εικ. 17



Εικ. 21



ΤΟΠΟΘΕΤΗΣΗ ΒΟΗΘΗΤΙΚΟΥ ΣΚΕΠΑΣΜΑΤΟΣ

1. Ανυψώστε το άνω πτερύγιο του καλύμματος της πλάτης J3 Carbon (Εικ. 22)
2. Ενώστε το άγκιστρο και τη θηλιά και συνδέστε το βοηθητικό σκέπασμα στο πίσω μέρος του καλύμματος της πλάτης J3 Carbon (Εικ. 23). Τοποθετήστε ξανά το άνω πτερύγιο του καλύμματος για να περικλείσετε το βοηθητικό σκέπασμα ανάμεσα στα άνω και κάτω πτερύγια (Εικ. 24).
3. Αφαιρέστε το μαξιλαράκι καθίσματος της αναπηρικής πολυθρόνας και περικλείστε την "ουρά" του βοηθητικού σκεπάσματος ανάμεσα από την επιφάνεια υποστήριξης της αναπηρικής πολυθρόνας και το μαξιλαράκι καθίσματος (Εικ. 25).
4. Ρυθμίστε το βοηθητικό σκέπασμα, όπως απαιτείται, μετακινώντας την "ουρά" προς τα μέσα ή έξω από το κάτω μέρος του μαξιλαριού καθίσματος. Αν απαιτείται, το πάνω μέρος του βοηθητικού σκεπάσματος μπορεί επίσης να μετακινηθεί προς τα επάνω ή κάτω στην πλάτη του καθίσματος.
5. Εισαγάγετε τα δεσμάτα αγκίστρωσης και βρόχου μέσα από τους κατάλληλους δακτυλίους στο βοηθητικό σκέπασμα και μετά τυλίξτε τα γύρω από το πλαίσιο της αναπηρικής πολυθρόνας και εισαγάγετε το προπορευόμενο άκρο μέσα στο άκρο υποδοχής του περιτυλίγματος (Εικ. 26-27). Εφαρμόστε και κλείστε τα διάκενα στο βοηθητικό σκέπασμα (Εικ. 28).



Εικ. 24



Εικ. 25



Εικ. 26



Εικ. 22



Εικ. 27



Εικ. 23



Εικ. 28

ΑΝΤΕΝΔΕΙΞΕΙΣ**⚠️ ΠΡΟΕΙΔΟΠΟΙΗΣΗ!**

Μην χρησιμοποιείτε και μην συνταγογραφείτε αυτή την πλάτη για οποιοδήποτε άτομο υπερβαίνει το δηλωμένο μέγιστο βάρος χρήστη.

ΑΝΑΚΥΚΛΩΣΗ / ΕΠΑΝΑΧΡΗΣΙΜΟΠΟΙΗΣΗ:**⚠️ ΠΡΟΕΙΔΟΠΟΙΗΣΗ!**

Κίνδυνος τραυματισμού.

Να ζητάτε πάντα από έναν εξουσιοδοτημένο αντιπρόσωπο της Sunrise Medical να επιθεωρήσει το προϊόν για ζημιά ή φθορά πριν από τη μεταφορά του σε άλλον χρήστη. Εάν βρεθεί ζημιά οποιαδήποτε τύπου, **ΜΗΝ ΧΡΗΣΙΜΟΠΟΙΗΣΕΤΕ ΑΥΤΟ ΤΟ ΠΡΟΪΟΝ.**

Η αποτυχία τήρησης αυτών των προειδοποιήσεων μπορεί να οδηγήσει σε σοβαρό τραυματισμό.

Το προϊόν αυτό είναι κατάλληλο για επαναχρησιμοποίηση*:

Ζητήστε από έναν εξουσιοδοτημένο αντιπρόσωπο της Sunrise Medical να επιθεωρήσει το κέλυφος, τον υλικό εξοπλισμό στερέωσης, το αφρολέξ και το κάλυμμα για ζημιά ή φθορά. Εάν βρεθεί οποιαδήποτε ζημιά, να μην επαναχρησιμοποιηθεί.

Καθαρίστε και απολυμάνετε το κέλυφος, το αφρολέξ του υλικού εξοπλισμού στερέωσης και το κάλυμμα σύμφωνα με τους τοπικούς κυβερνητικούς κανονισμούς. Ανατρέξτε στο τοπικό γραφείο ελέγχου λοιμώξεων για συμβουλές. Μετά τον καθαρισμό και την απολύμανση, ζητήστε από εξουσιοδοτημένο αντιπρόσωπο της Sunrise Medical να επιθεωρήσει

το κέλυφος, τον εξοπλισμό, το αφρολέξ και το κάλυμμα για να βεβαιωθείτε ότι η διαδικασία καθαρισμού/ απολύμανσης δεν προκάλεσε καμία ζημιά.

ΠΕΡΙΟΡΙΣΜΕΝΗ ΕΓΓΥΗΣΗ 24 ΜΗΝΩΝ

Κάθε πλάτη Jay J3 Carbon έχει επιθεωρηθεί προσεκτικά και έχει τεθεί υπό δοκιμή για να παρέχει άριστη αποδοτικότητα. Κάθε πλάτη Jay J3 Carbon είναι εγγυημένη ώστε να μη φέρει ελαττώματα στα υλικά και την εργασία της για περίοδο 24 μηνών από την ημερομηνία αγοράς της, εφόσον χρησιμοποιείται κανονικά. Αν προκύψει ελάττωμα στα υλικά ή την κατασκευή εντός 24 μηνών από την αρχική ημερομηνία αγοράς, η Sunrise

Medical, σύμφωνα με την κρίση της, θα επισκευάσει ή θα αντικαταστήσει το προϊόν χωρίς χρέωση.

Η εγγύηση αυτή δεν ισχύει για τρυπήματα, σχισίματα ή καψίματα, ούτε για το αφαιρούμενο κάλυμμα της πλάτης.

Οι διεκδικήσεις και επισκευές πρέπει να πραγματοποιούνται μέσω του πιο κοντινού εξουσιοδοτημένου προμηθευτή. Εκτός από τις ρητές εγγυήσεις του παρόντος, εξαιρείται κάθε άλλη εγγύηση, περιλαμβάνοντας των σιωπηρών εγγυήσεων εμπορευσιμότητας και εγγυήσεων καταλληλότητας για συγκεκριμένο σκοπό. Δεν υπάρχουν άλλες εγγυήσεις πέραν των περιγραφόμενων στο παρόν. Οι ενέργειες αποκατάστασης για παράβαση των ρητών εγγυήσεων του παρόντος περιορίζονται στην επισκευή ή αντικατάσταση των αγαθών. Οι ζημιές από την παραβίαση τυχόν εγγύησης, σε καμία περίπτωση, δεν θα περιλαμβάνουν οποιαδήποτε συνεπαγόμενη ζημιά ούτε θα υπερβαίνουν το κόστος των μη συμμορφούμενων αγαθών που πωλήθηκαν.

Sunrise Medical doporučuje konzultaci se zdravotními pracovníky, například s lékaři nebo terapeuty, kteří mají zkušenosti se sezením a polohováním, k určení, zda je poloha opěradla J3 Carbon vhodná.

VAROVÁNÍ!

Je třeba, aby opěradlo nainstaloval výhradně:

- Autorizovaný dodavatel Sunrise Medical.
- Kvalifikovaný a kompetentní zdravotní pracovník, který absolvoval příslušné certifikované školení buď u Sunrise Medical nebo u jeho certifikovaného dodavatele.

URČENÉ POUŽITÍ OPĚRADLA JAY J3 CARBON

Jay J3 Carbon slouží k poskytnutí opory zad pro širokou škálu uživatelů invalidních vozíků. Poskytuje jednoduchou, komfortní a efektivní oporu pro maximalizaci funkce a zvýšení tolerance sezení. Kromě toho je lehký, trvanlivý a snadno se používá. Oporu zad lze nainstalovat na celou řadu invalidních vozíků.

Maximální hmotnost uživatele: 125 kg.

Určená životnost opěradla je 2 roky.

VAROVÁNÍ!

Instalace zádové opěrky na invalidní vozík může ovlivnit těžiště invalidního vozíku a může způsobit převrácení vozíku dozadu, což může mít za následek vznik úrazu. Vždy zvažte, zda není potřeba použít jistící kolečka proti překlopení nebo adaptéry pro pacienty s amputovanými končetinami a přimontovat je na invalidní vozík pro zvýšení jeho stability.

VAROVÁNÍ!

Nepoužívejte opěradlo J3 Carbon k tlačení invalidního vozíku. Nesprávné použití může mít za následek neočekávané oddělení zádové opěrky od invalidního vozíku.

VAROVÁNÍ!

Nepoužívejte ucho J3 Carbon k tlačení invalidního vozíku. Je určena pouze k odstranění zádové opěrky.

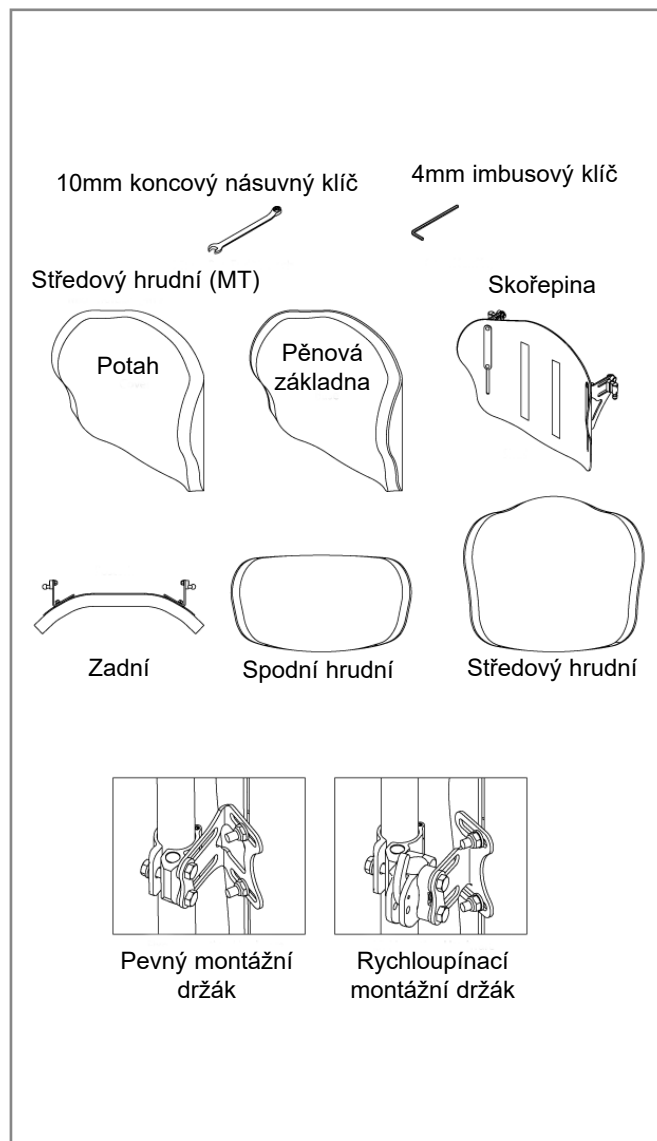
VAROVÁNÍ!

Nepozornost může způsobit požár

VAROVÁNÍ!

Před použitím si přečtěte návod.

OPĚRADLO J3 CARBON



ÚDRŽBA

Sunrise doporučuje kontrolu všech upevňovacích prvků, zda nejsou opotřebované jedenkrát za 6 měsíců, např. zda nejsou povolené šrouby nebo rozbité komponenty. Povolené upevňovací prvky je třeba opět dotáhnout podle pokynů. Všechny upevňovací prvky je třeba dotáhnout na krouticí moment podle specifikací uvedených v oddíle o instalaci držáků. V případě rozbití jakéhokoliv komponentu kontaktujte neprodleně svého autorizovaného dodavatele za účelem výměny. Po nalezení uvolněných nebo rozbitých komponent systém nadále nepoužívejte.

SNADNÉ ČIŠTĚNÍ

UPOZORNĚNÍ: Při demontáži opěradla za účelem čištění si všimněte polohy komponent se suchými zipy pro oporu páteře, abyste opěradlo později správně smontovali.

Čištění potahu zádové opěrky

Sejměte potah uvolněním suchých zipů. Sejměte potah ze skořepiny zádové opěrky. Nalezněte zip na spodku potahu a otevřete jej. Vyjměte pěnovou vložku a obraťte ji rubem ven. Zavřete zip, aby se nezatrhl. Perte v pračce v teplé vodě (60° C). Odstředte nebo sušte v sušičce při nízké teplotě.

UPOZORNĚNÍ: Potah nenechávejte chemicky čistit ani prát a sušit v průmyslových pračkách a sušičkách. Neautoklávuje jej parou. Nebělte.

Pěnovou vložku opět vložte do potahu. Upozorňujeme Vás, že v základně jsou dvě vrstvy pěny. Při opětovném vkládání pěnové vložky zajistěte, aby tenčí světlešedá pěna směřovala ke skořepině. Po zajištění pěnové vložky v potahu zavřete zip.






Čištění skořepiny opěradla

Skořepinu lze vytřít do čista s použitím vody a mýdla. Žádná jiná údržba není zapotřebí.

Čištění polohovacích komponent

Polohovací komponenty lze vytřít do čista s použitím vody a mýdla. Neponořujte polohovací komponenty pod vodu. Pokud máte jakékoli další otázky k postupům čištění, obraťte se na svého autorizovaného dodavatele Sunrise Medical.

Symbole pro praní a údržbu textilií

	Perte v pračce v teplé vodě (60° C)
	Bělte jinými prostředky než chlórem, v případě potřeby
	Nechejte okapat do sucha
	Nežehlete
	Nečistěte chemicky

URČENÍ KOMPATIBILITY

Typy invalidních vozíků

Opěradlo J3 Carbon je konstruováno tak, že je kompatibilní s většinou invalidních vozíků s následujícími výjimkami:

Invalidní vozíky, které jsou úhlově nastavitelné, lze je naklánět a naklápět a úhel je pak větší než 60 stupňů vzhledem k vertikále, by se neměly používat.

VAROVÁNÍ!

Při použití invalidních vozíků těchto typů může dojít k nechtěnému odpojení zádové opěrky od invalidního vozíku s následkem pádu a možností závažného zranění.

Rozměry invalidního vozíku

Opěradlo J3 Carbon je určeno k náhradě čalounění závěsu invalidního vozíku. Před instalací zjistěte, zda má invalidní vozík kompatibilní zadní trubky měřením šířky mezi zadními trubkami, jak je znázorněno na obrázku 1. Poté s použitím tohoto rozměru zkontrolujte tabulku 1 (pevný montážní držák) nebo tabulku 2 (rychloupínací montážní držák), abyste zjistili, zda půjde opěradlo připevnit na Váš vozík.

Pak zkontrolujte, zda mají trubky kompatibilní průměr. Držák pro opěradlo JC Carbon může být namontován na invalidní vozík s průměrem trubky 3/4" (19mm)(s vložkou), 7/8" (22mm)(s vložkou) nebo 1" (25mm)(bez vložky).

Pokud nemůžete určit, zda jsou trubky zádové opěrky kompatibilní, obraťte se, prosím, na svého autorizovaného dodavatele Sunrise Medical nebo na služby zákazníkům Sunrise Medical.

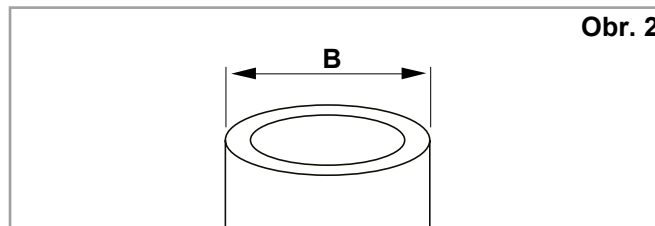
Tabulka 1

ŠÍŘKA OPĚRADLA J3 CARBON Pevné uchycení	Rozpěra	Šířka zadní trubky od vnější ke vnější straně trubky (Obr. 1-A)	
		Minimální šířka	Maximální šířka
32 cm	NE	29 cm	33 cm
	ANO	31 cm	35 cm
36 cm	NE	34 cm	38 cm
	ANO	36 cm	40 cm
41 cm	NE	39 cm	43 cm
	ANO	41 cm	45 cm
46 cm	NE	44 cm	48 cm

Tabulka 2

ŠÍŘKA OPĚRADLA J3 CARBON Rychloupínací uchycení		Šířka zadní trubky od vnější ke vnější straně trubky (Obr. 1-A)	
		Minimální šířka	Maximální šířka
32 cm		31 cm	36 cm
36 cm		36 cm	41 cm
41 cm		41 cm	46 cm
46 cm		46 cm	51 cm

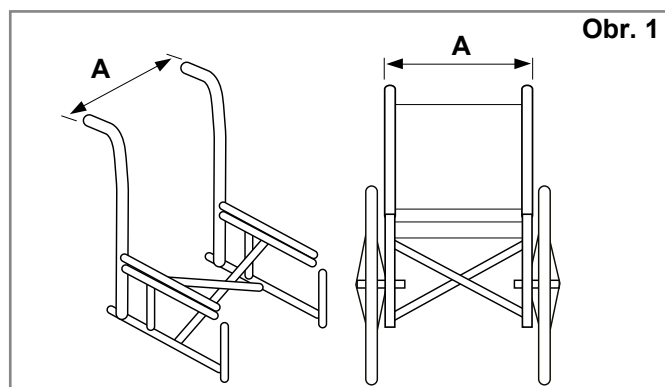
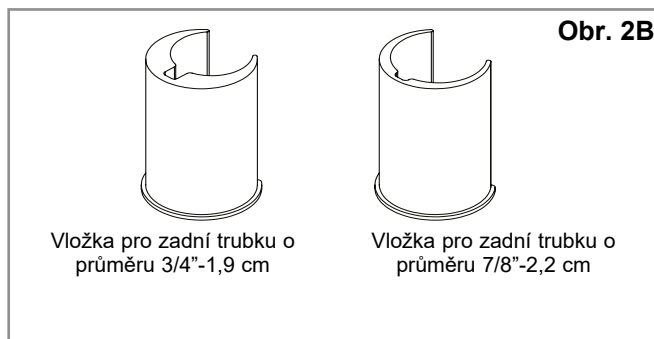
Obr. 2



Tabulka 3

Šířka opěradla J3 Carbon	Průměr trubky (Obr. 2)			
	Minimální šířka	cm	Maximální šířka	cm
12,6-18" (32-46 cm)	3/4	1,9	1,0	2,2

Obr. 2B



INSTALACE MONTÁŽNÍHO HARDWARU

Před zahájením instalace si přečtěte následující pokyny. Při instalaci opěradla J3 Carbon je nevhodnější začít bez uživatele na invalidním vozíku. Po instalaci zádové opěrky, když jsou zapotřebí drobné úpravy, může se uživatel opět usadit v invalidním vozíku.

Potřebné nástroje (jsou součástí dodávky opěradla J3 Carbon)*

- 4mm imbusový klíč (pouze pro rychloupínací držák)
- 10mm maticový klíč.

UPOZORNĚNÍ: Kdekoliv jsou určena nastavení kroutícího momentu, je silně doporučeno použít měřič kroutícího momentu (není součástí dodávky opěradla Jay3 Back), aby bylo ověřeno dosažení správného určeného kroutícího momentu.

Pokyny k instalaci pevného montážního systému, (Obr. 3, 4, 5).

1. Odstraňte z invalidního vozíku stávající zádovou opěrku podle pokynů výrobce invalidního vozíku.

UPOZORNĚNÍ: Jestliže je šířka Vašeho invalidního vozíku 34 cm, 40 cm nebo 44 cm, bude třeba, abyste použili rozpěru, která je dodána s Vaším opěradlem: Viz pokyny níže:

2. Pomocí přiloženého 10mm koncového násuvného klíče uvolněte (ale neodstraňujte) matky (C) a šrouby (B).
3. Pomocí 10mm koncového násuvného klíče uvolněte a odstraňte šroub (A). Otevřete závěs, abyste umožnili jeho umístění okolo zadní trubky invalidního vozíku.
4. Umístěte montážní držák do požadované pozice na zádoých trubkách invalidního vozíku a poté závěs uzavřete a dotáhněte šroub závěsu (A). Namontované držáky by měly být na zadním sloupku v přibližně stejné výšce. Vyšší umístění jsou obecně lepší.

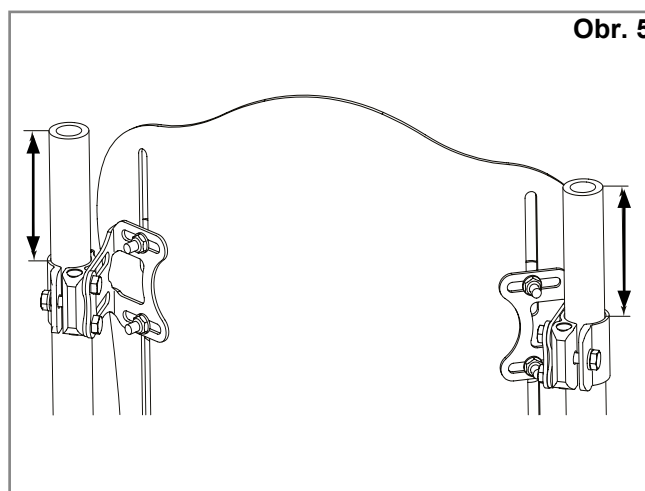
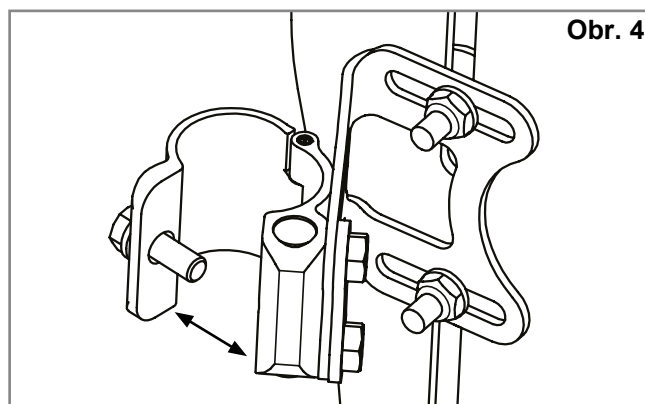
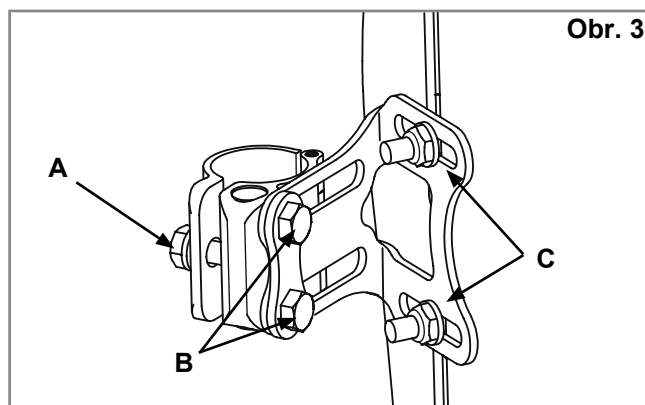
POZNÁMKA: Pro zadní trubku o průměru menším než 25 mm použijte rozpěru příslušného rozměru.

5. Nastavte opěradlo do Vámi požadované polohy, hloubky, naklonění a výšky a poté dotáhněte šrouby (B) a matky (C).

Dotáhněte všechny šrouby a matky:

Doporučené specifikace kroutícího momentu:

- Šrouby (A) a (B): 11,3 – 12,4 Nm
- Matky (C): 8,5 – 9,3 Nm



POKYNY K INSTALACI SADY ROZPĚRY:

(Obr. 6, 7).

POZNÁMKA: k použití pouze pro šířky 34 cm, 40 cm a 44 cm.

1. Odstraňte dva (2) šrouby (B), které upevňují montážní konzoli k sestavě svěrky zadní trubky (Obr. 6).

POZNÁMKA: při odstraňování těchto šroubů se uvolní válečkové matice. Budte připraveni je chytit, aby nespadly na podlahu.

2. Umístěte rozpěru (D) mezi držák a sestavu svěrky.
3. Je-li to nutné, vyměňte válečkovou matici a srovnejte otvory tak, aby jimi mohly projít šrouby. Pripevněte pomocí delších (M6 x 25) šroubů, které jsou součástí sady.

POKYNY K INSTALACI RYCHLOUPÍNACÍHO MONTÁŽNÍHO SYSTÉMU

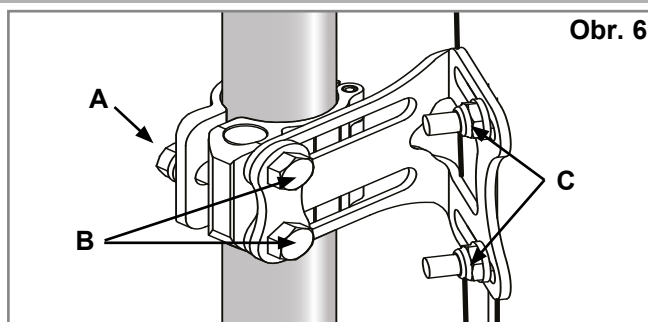
(Obr. 8, 9, 10,).

1. Odstraňte z invalidního vozíku stávající zádovou opěrku podle pokynů výrobce invalidního vozíku.
2. Vizually určete požadované umístění držáků na trubkách zádové opěrky invalidního vozíku. Namontované držáky by měl být na zadním sloupku v přibližně stejné výšce (Obr. 8) a rovnoběžně vůči rámu sedadla a paralelně s rámem sedadla (Obr. 9). Vyšší umístění na zadních trubkách je obecně lepší.
3. Nasazení držáků. (Obr. 10).
Pomocí 10mm koncového násuvného klíče uvolněte a odstraňte šroub (A). Otevřete závěs, abyste umožnili jeho umístění okolo zadní trubky invalidního vozíku.

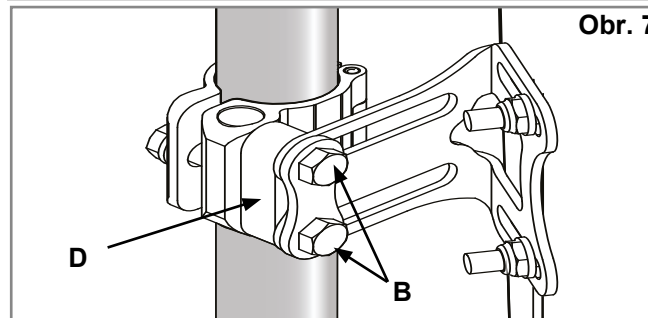
POZNÁMKA: Pro zadní trubku o průměru menším než 25 mm použijte rozpěru příslušného rozměru.

- Nasadte držáky na trubky zádové opěrky invalidního vozíku a vyrovnejte je.
- Dotáhněte ručně upínací šrouby (A).

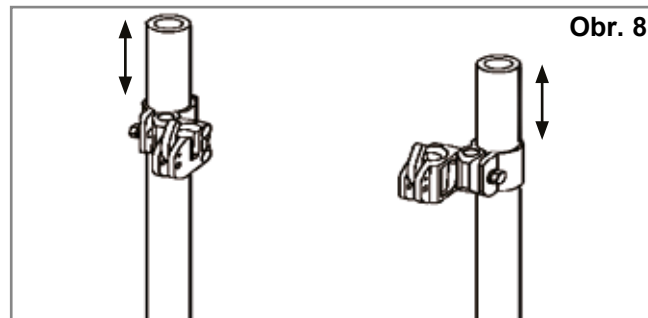
UPOZORNĚNÍ: UPOZORNĚNÍ: Držáky mohou vyžadovat další boční nastavení, aby bylo zajištěno správné vyrovnání.



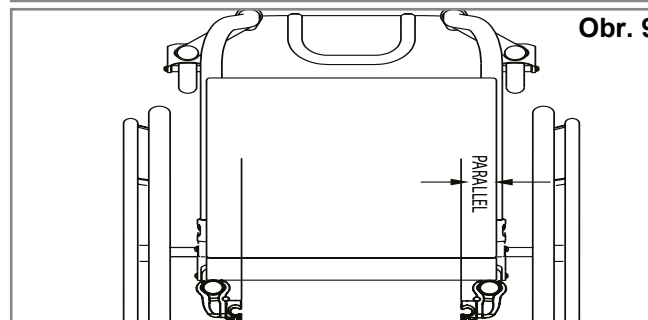
Obr. 6



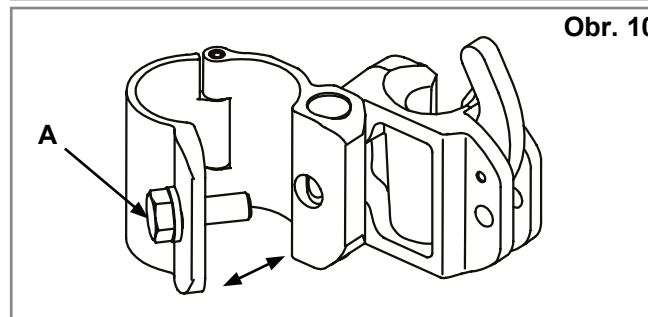
Obr. 7



Obr. 8



Obr. 9



Obr. 10

PŘIPEVNĚNÍ A VYROVNÁNÍ SKOŘEPINY ZÁDOVÉ OPĚRKY

(Obr. 11, 12, 13).

- Pomocí 10mm klíče uvolněte (ale neodstraňujte) čepy se závitem (B) a matky držáku (C).
- Připojte opěradlo J3 Carbon na montážní držák tak, že vložíte čepy do držáků (Obr. 12).
- Nastavte opěradlo do Vámi požadované polohy (obr. 13), hloubky, naklopení a výšky a poté ručně dotáhněte šrouby (B) a matky (C).

UPOZORNĚNÍ: Hloubka a úhel zádové opěrky budou možná vyžadovat další nastavení, aby vyhovovaly uživateli.

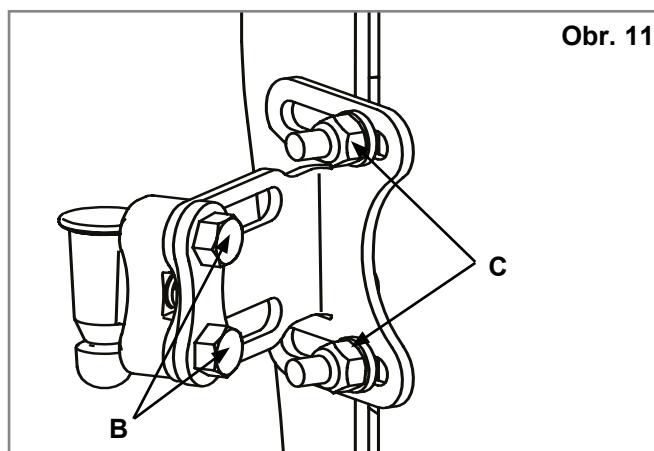
- Vyzkoušejte uvolnění opěradla stisknutím uvolňovacích pák směrem dopředu a sejmutím opěradla z invalidního vozíku. (Další podrobnosti naleznete v oddíle Sejmutí a výměna.) Správné polohy montážních držáků a opěradla je dosaženo, jestliže lze hladce provést připojení a odpojení.
- Pokud nebylo dosaženo správné vyrovnání, nastavte komponenty, dokud nebudou správně vyrovnány.
- Když je vše ve správné poloze, proveďte dotážení.

UPOZORNĚNÍ: Šrouby a matky dotáhněte pouze tehdy, když je opěradlo ve správné poloze:

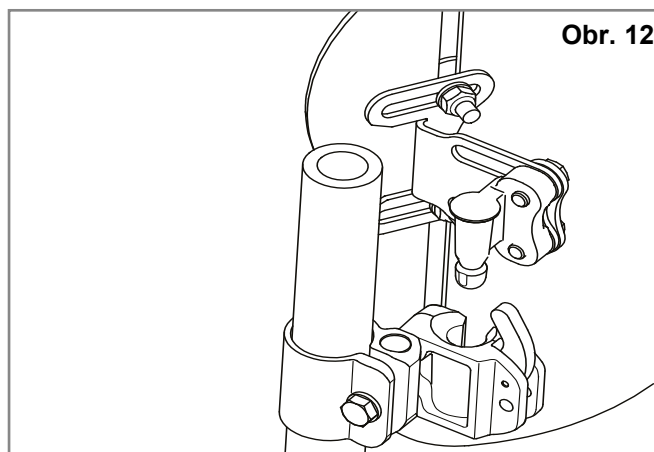
Doporučené specifikace krouticího momentu:

Šrouby (A) a (B): 11,3 – 12,4 Nm

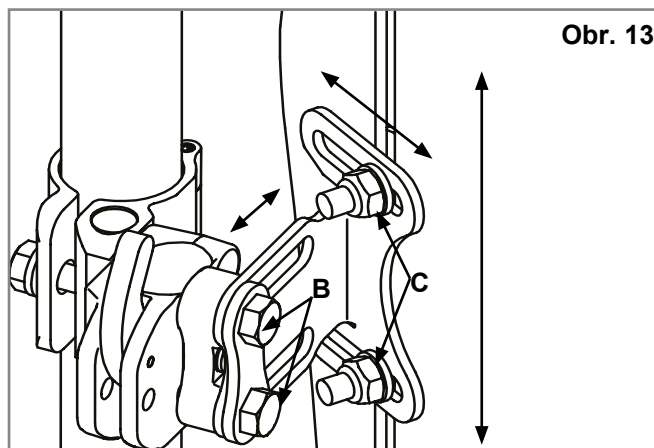
Matky (C): 8,5 – 9,3 Nm



Obr. 11



Obr. 12



Obr. 13

NASTAVENÍ VÝŠKY, HLOUBKY A ÚHLU J3

První fáze instalace hardwaru opěradla J3 Carbon je dokončena.

Nyní je vhodná doba k tomu, aby se uživatel opět posadil na invalidní vozík

k provedení úprav opěradla J3 Carbon na míru uživatele.

Uživatel by se neměl o zádovou opěrku opírat naplno, protože není vše plně dotaženo podle požadavků na krouticí moment.

1. Nastavení výšky (Obr. 14).

- Určete požadovanou výšku zádové opěrky s uživatelem sedícím na vozíku. Po určení výšky by měl uživatel uvolnit tlak působící na opěradlo J3 Carbon nakloněním nebo posunutím částečně dopředu, pokud je to možné, aby bylo možné provést nastavení.
- Povolte matice konzoly (C) a nastavte výšku skořepiny do požadované polohy.
- Bezpečně dotáhněte matice konzoly (C). Doporučená specifikace krouticího momentu je 8,5 – 9,3 Nm.

UPOZORNĚNÍ: Po provedení nastavení výšky zkontrolujte, zda nebyla neúmyslně změněna šířka.

2. Nastavení hloubky/úhlu (Obr. 11, 12, 13 & 14).

Upozorňujeme, že je možné objednat dva typy držáků - pevné držáky (Obr. 15) a rychloupínací držáky (Obr. 16). Obě sady držáků se nastavují stejným způsobem, ale pevné držáky umožňují nastavení hloubky 1,6 palců (4 cm) (Obr. 15), zatímco rychloupínací držáky (odstranitelné držáky) umožňují celkové nastavení hloubky 1,1 palec (2,9 cm) (Obr. 16).

- Pro nastavení hloubky a úhlu opěradla J3 Carbon uvolněte levý a pravý šroub (B) - (Obr. 16) v otvorech držáku.
- Nastavte hloubku a/nebo úhel a bezpečně dotáhněte. Doporučená specifikace krouticího momentu je 11,3-12,4 Nm. Zajistěte, aby ani jeden ze šroubů pro nastavení hloubky (B) (Obr. 16) neprokluzoval a ani se neotáčel.

UPOZORNĚNÍ: Před výměnou dvou šroubů se důrazně doporučuje aplikace vhodného středně silného prostředku k zafixování závitů, např. Loctite 243 na držák a závit, pokud se mění poloha opěradla.

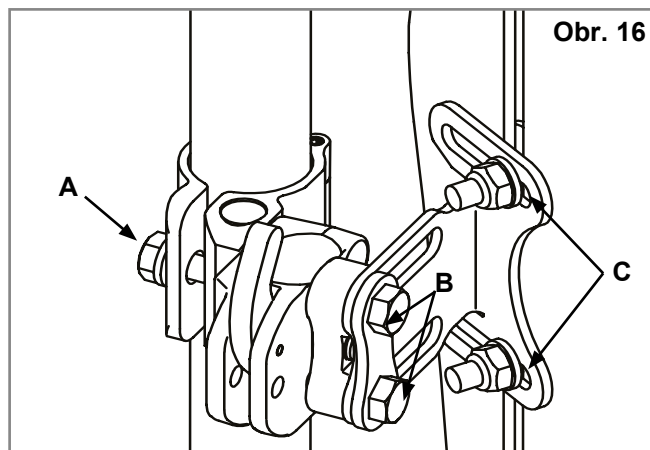
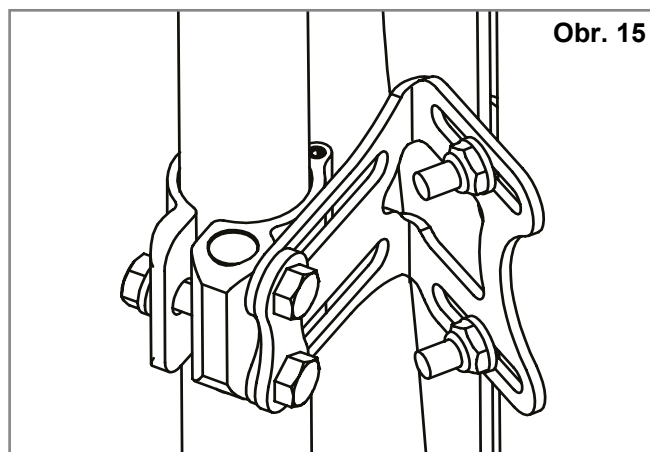
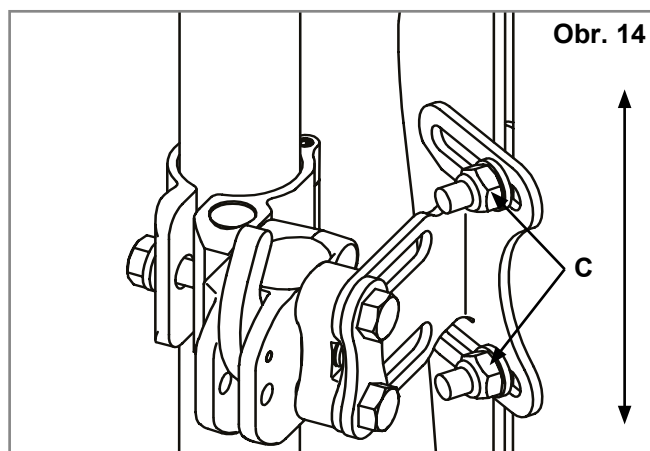
Doporučené specifikace krouticího momentu:

Šrouby (A) a (B): 11,3 – 12,4 Nm

Matky (C): 8,5 – 9,3 Nm

VAROVÁNÍ!

Zajistěte, aby byl veškerý hardware řádně dotažen po provedení všech nastavení, když je opěradlo J3 Carbon připraveno k použití.



ODSTRANĚNÍ A VÝMĚNA

Odstranění - rychloupínací držáky

Po instalaci a nastavení lze zádová opěrka v případě potřeby snadno sejmut z invalidního vozíku. Při odstraňování zatlačte uvolňovací páky dopředu, aby se komfortní opěrka uvolnilo, (Obr. 17). Posuňte páčky do polohy vpřed a jednoduše zvedněte opěrku přímo nahoru (Obr. 18) pomocí madel umístěných na horní straně opěrky.

Správné opětovné nasazení po sejmutí

Pro opětovné nasazení opěrky na hardwarové držáky prostě vyrovnejte kolíky s držáky a zatlačte je na místo. Při správném nasazení kolíky zaklapnou do zaaretované polohy (Obr. 19-20).

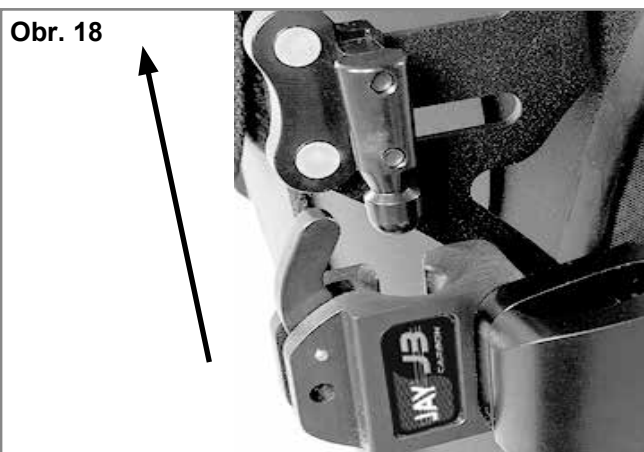
VAROVÁNÍ!

Pokud si nejste jisti nebo jste uslyšeli zaklapnutí, vytáhněte opěrku nahoru za rukojeť aby bylo zajištěno, že opěrka bezpečně zapadlo na své místo. Odstranění - pevné držáky
Má-li Vaše opěrka J3 Carbon pevné držáky, odstraňte je z invalidního vozíku podle níže uvedených kroků:

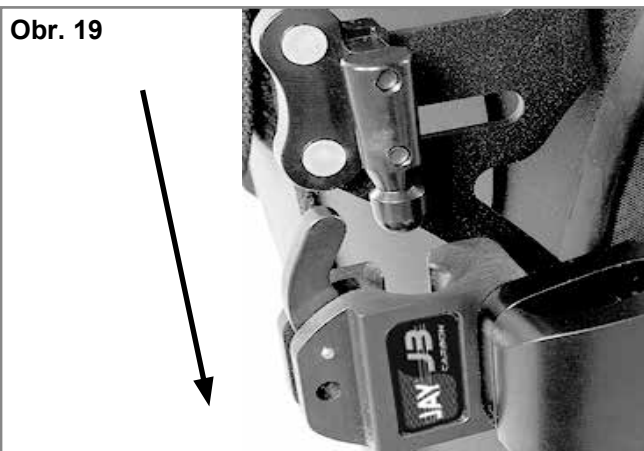
1. Pomocí 10mm klíče uvolněte a odstraňte šroub závěsu (A) z levé a pravé svěrky.
2. Otevřete závěs a sejmete opěrku J3 Carbon (Obr. 21).

Správné opětovné nasazení po sejmutí - Pro opětovné nasazení opěrky postupujte podle pokynů pro instalaci popsanych v tomto návodu (strana 9).

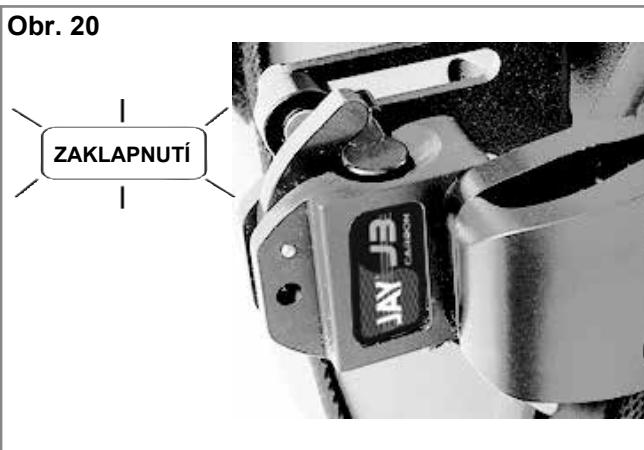
Obr. 18



Obr. 19



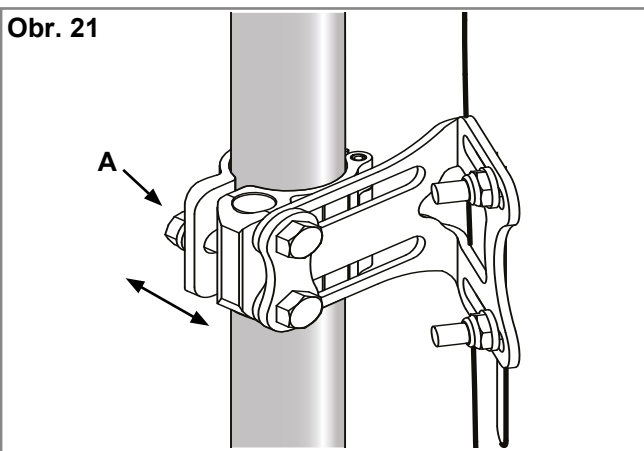
Obr. 20



Obr. 17



Obr. 21



INSTALACE KRYCÍ CHLOPNĚ

1. Zdvihněte horní chlopeň potahu opěradla J3 Carbon (Obr. 22)
2. Vyrovnějte háček s očkem a nasadte krycí chlopeň zpět na potah opěradla J3 (Obr. 23). Přemístěte horní chlopeň tak, aby byla krycí chlopeň mezi horní a spodní chlopní (Obr. 24).
3. Sejměte polštář sedadla z invalidního vozíku a umístěte konec krycí chlopně mezi podpůrný povrch invalidního vozíku a polštář sedadla (Obr. 25).
4. Nastavte krycí chlopeň podle potřeby posunutím konce dovnitř nebo ven z pod polštáře sedadla. V případě potřeby lze také krycí chlopeň posunout na opěradle sedadla nahoru nebo dolů.
5. Proveďte stahovací pásy s háčkem a očkem příslušnými očky krycí chlopně a poté je omotejte okolo rámu invalidního vozíku a prostrčte konec očkem na druhém konci stahovacího pásu (Obr. 26-27). Přitáhněte je a uzavřete vnější otvory krycí chlopně (Obr. 28).



Obr. 24



Obr. 25



Obr. 26



Obr. 22



Obr. 27



Obr. 23



Obr. 28

KONTRAIKDIKACE**⚠VAROVÁNÍ!**

Toto opěradlo nepředepisujte nikomu, kdo přesahuje uvedenou maximální hmotnost uživatele.

RECYKLACE / ZNOVUPOUŽITÍ:**⚠VAROVÁNÍ!**

Nebezpečí zranění.

Před předáním výrobku jinému uživateli jej vždy nechejte zkontrolovat autorizovaným obchodním zástupcem společnosti Sunrise Medical, zda nedošlo k jeho poškození nebo opotřebením. Najdete-li jakékoli známky poškození, **NEPOUŽÍVEJTE TENTO VÝROBEK**.

Neuposlechnutí tohoto varování může vést k vážnému zranění.

Tento výrobek je vhodný ke znovupoužití*:

Nechejte autorizovaného obchodního zástupce společnosti Sunrise Medical zkontrolovat skořepinu, montážní prvky, pěnu a potah, zda nedošlo k jejich poškození. Jestliže je nalezeno poškození, výrobek znovu nepoužívejte.

V souladu s místními předpisy vyčistěte a vydezinfikujte skořepinu, montážní prvky, pěnu a potah. Poradte se s kanceláří místního hygienika.

Po vyčištění a dezinfekci nechte zástupcem společnosti Sunrise Medical zkontrolovat skořepinu, montážní prvky, pěnu a potah, aby se zjistilo, zda čištění/dezinfekce nezpůsobili jejich poškození.

OMEZENÁ ZÁRUKA 24 MĚSÍCŮ

Každé opěradlo Jay J3 Carbon je pečlivě kontrolováno a testováno, aby poskytovalo špičkový výkon. Na každé opěradlo Jay J3 Carbon se poskytuje záruka, že nevykazuje závady materiálu nebo zpracování na dobu 24 měsíců od data nákupu, pokud je normálně používáno. Pokud dojde k vadě materiálů nebo zpracování do 24 měsíců od data koupě, společnost Sunrise

Medical výrobek bezplatně opraví nebo vymění, dle svého rozhodnutí.

Tato záruka se nevztahuje na propíchnutí, natržení nebo propálení ani na snímatelný potah opěradla.

Požadavky a opravy vyřizuje nejbližší autorizovaný zástupce. Kromě záruk, které jsou zde výslovně uvedeny, jsou vyloučeny veškeré ostatní záruky, včetně odvozených záruk na prodejnost a záruk vhodnosti k určitému účelu. Neexistují žádné záruky nad rámec záruk, které jsou zde popsány. Náhrady za porušení záruk, které jsou zde výslovně uvedeny, jsou omezeny na opravu nebo výměnu tohoto zboží. V žádném případě nekryje záruka na škody žádné následné škody nebo překročení nákladů při prodeji nevyhovujícího zboží.

Firma Sunrise Medical zaleca, aby opiekun kliniczny, np. lekarz czy terapeuta, doświadczony w osadzaniu i pozycjonowaniu sprawdził i określił, czy oparcie J3 Carbon jest odpowiednie.

⚠️ OSTRZEŻENIE!

Oparcia mogą być montowane jedynie przez:

- Autoryzowanego dostawcę Sunrise Medical
- Wykwalifikowanego i kompetentnego pracownika służby zdrowia, który odbył autoryzowane szkolenia zorganizowane przez firmę Sunrise Medical lub jej oficjalnego dostawcę.

PRZEZNACZENIE UŻYTKOWE OPARCIA JAY J3 CARBON

Oparcie Jay J3 Carbon przeznaczone jest do zapewnienia oparcia pleców dla szerokiego grona użytkowników wózków inwalidzkich. Zostało zaprojektowane, aby zapewnić prostą, komfortową i efektywną funkcjonalność oraz zwiększenie tolerancji siedzenia. Dodatkowo jest lekkie, wytrzymałe i łatwe w użyciu.

Oparcie może być instalowane do szerokiej gamy wózków.

Dopuszczalna waga użytkownika: 125 kg.

Zakładany okres użytkowania oparcia wynosi 2 lata.

⚠️ OSTRZEŻENIE!

Zainstalowanie oparcia pleców może wpłynąć na zmianę środka ciężkości wózka, a także spowodować przewrócenie się go do tyłu, co grozi odniesieniem obrażeń.

Należy zawsze ocenić potencjalną potrzebę stosowania w wózku układów zapobiegających przez przewróceniem się lub wsporników łącznika osi dla osób z amputowanymi kończynami, zwiększających stabilność.

⚠️ OSTRZEŻENIE!

Nie używać oparcia J3 Carbon do popychania lub podnoszenia wózka. Niewłaściwe użycie może spowodować niespodziewane odłączenie oparcia od wózka.

⚠️ OSTRZEŻENIE!

Nie używać uchwytu oparcia J3 Carbon do podnoszenia wózka. Uchwyt jest przeznaczony jedynie do demontażu oparcia.

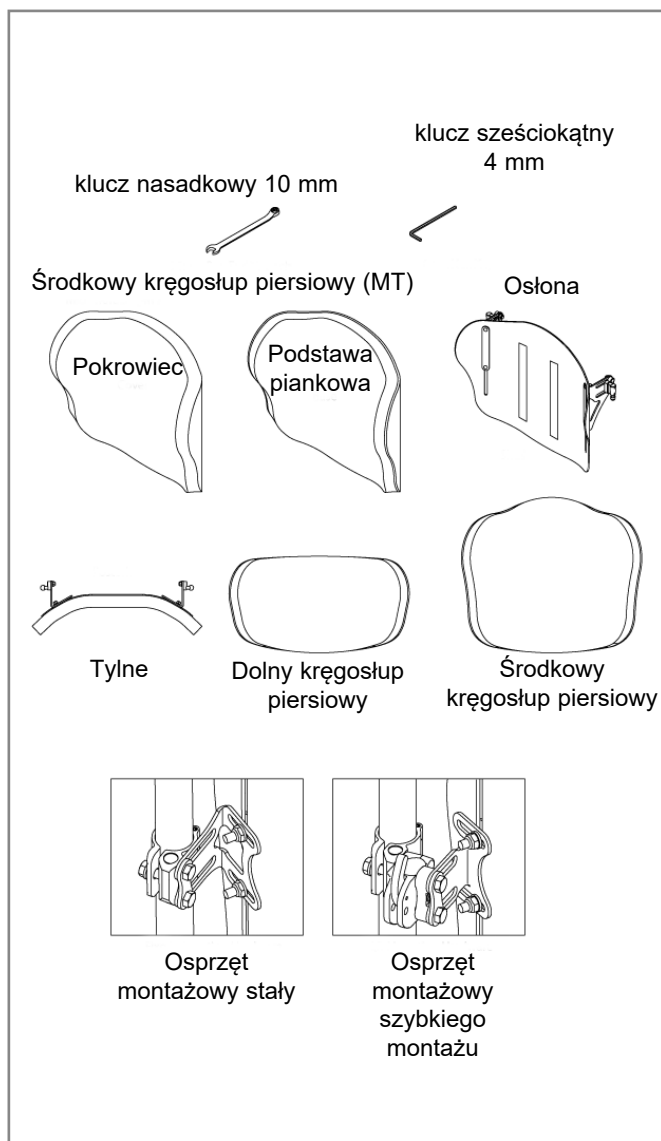
⚠️ OSTRZEŻENIE!

Nieostrożność może wywołać pożar.

⚠️ OSTRZEŻENIE!

Przed rozpoczęciem użytkowania należy przeczytać niniejszą instrukcję.

OPARCIE J3 CARBON



KONSERWACJA

Sunrise zaleca, aby co 6 miesięcy sprawdzać zużycie wszystkich elementów mocujących, na przykład poluzowanie śrub lub uszkodzenie elementów. Luźne elementy mocujące należy ponownie zamocować zgodnie z instrukcją. Wszystkie elementy mocujące należy dokręcić zgodnie z instrukcją obsługi (sekcja instalacja osprzętu). W celu wymiany uszkodzonych elementów należy natychmiast skontaktować się z autoryzowanym dostawcą firmy Sunrise Medical. Nie należy kontynuować użytkowania po stwierdzeniu poluzowania lub uszkodzenia elementów.

ŁATWE CZYSZCZENIE

UWAGA: Podczas demontażu oparcia do czyszczenia, należy zanotować położenie elementów systemu wyrównania kręgosłupa Velcro® w celu prawidłowego wykonania ponownego montażu.

Czyszczenie pokrowca oparcia

Należy zdjąć pokrowiec poprzez odłączenie rzepa. Odłączyć pokrowiec od tylnej osłony. Zlokalizować zamek błyskawiczny w dolnej części pokrowca i rozpiąć. Wyjąć piankę i odwrócić pokrowiec na lewą stronę. Zapiąć zamek błyskawiczny, aby zapobiec ścieraniu. Prać w pralce w temperaturze maksymalnie 60°C. Suszyć na sznurku lub w suszarce przy niskiej temperaturze.

UWAGA: Nie czyścić chemicznie ani nie używać do czyszczenia pokrowców pralek i suszarek przemysłowych. Nie czyścić parą w autoklawie. Nie wybielać. Ponownie włożyć piankę do wnętrza pokrowca. Należy zwrócić uwagę czy podstawa posiada dwie warstwy pianki. Podczas ponownego wkładania pianki należy upewnić się, że cieńsza, jasnoszara pianka sąsiaduje z osłoną. Gdy pianka zostanie zabezpieczona wewnątrz pokrowca, zapiąć zamek błyskawiczny.

Czyszczenie osłony tylnej

Osłonę można czyścić wodą z mydłem. Inne metody konserwacji nie są wymagane.

Czyszczenie elementów pozycjonujących

Elementy pozycjonujące można czyścić wodą z mydłem. Nie zanurzać elementów pozycjonujących w wodzie. W razie jakichkolwiek dodatkowych pytań dotyczących procedur czyszczenia należy skontaktować się z autoryzowanym sprzedawcą firmy Sunrise Medical.

Wskazówki dotyczące prania	
	Prać w pralce w ciepłej wodzie (60°C).
	Tylko bezchlorowy wybielacz, jeśli jest niezbędny
	Suszyć na sznurku
	Nie prasować
	Nie czyścić chemicznie

OKREŚLANIE ZGODNOŚCI Z WÓZKAMI

Typy wózków

Oparcie J3 Carbon jest kompatybilne z większością modeli wózków, z następującymi wyjątkami: Oparcia nie należy stosować w wózkach z regulacją kąta, rozkładanych lub odchylanych, w których odchylenie oparcia od pionu przekracza 60 stopni.

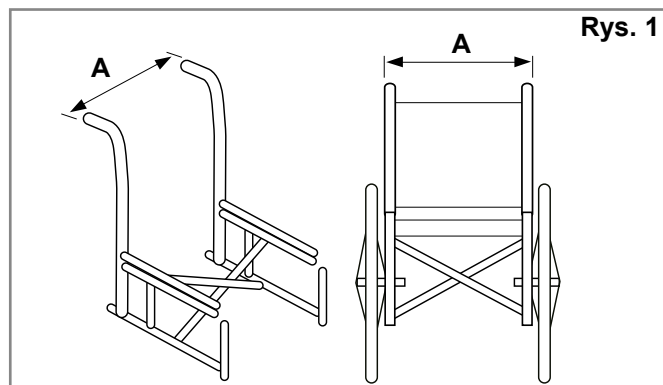
 **OSTRZEŻENIE!**

Użycie oparcia w tych typach wózków może spowodować przypadkowe odłączenie oparcia od wózka, skutkujące upadkiem i możliwością doznania poważnych obrażeń.

Wymiary wózka

Oparcie J3 Carbon zastępuje tapicerkę zawiesia wózka. Przed instalacją należy określić czy używany wózek posiada kompatybilne rurki tylne poprzez zmierzenie szerokości pomiędzy nimi, jak pokazano na Rys. 1. Po wykonaniu pomiaru trzeba sprawdzić wartości w Tabeli 1 (dla osprzętu stałego) lub Tabeli 2 (dla osprzętu szybkiego montażu), aby sprawdzić, czy oparcie będzie pasować. Następnie należy sprawdzić kompatybilność średnicy rurek tylnych.

Osprzęt montażowy oparcia J3 Carbon można zamontować na prętach tylnych o średnicy 19 mm (z wkładką), 22 mm (z wkładką) lub 25 mm (bez wkładki). W przypadku problemów z określeniem czy rurki tylne są kompatybilne należy skontaktować się z autoryzowanym dostawcą lub biurem obsługi klienta firmy Sunrise Medical.



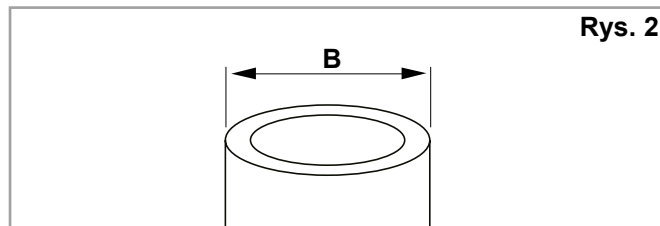
Rys. 1

Tabela 1

SZEROKOŚĆ OPARCIA J3 CARBON Osprzęt stały	Przekładka	Szerokość prętów tylnych od zewnętrznej do zewnętrznej krawędzi (Rys. 1-A)	
		Minimalna szerokość	Maksymalna szerokość
32 cm	NO	29 cm	33 cm
	TAK	31 cm	35 cm
36 cm	NO	34 cm	38 cm
	TAK	36 cm	40 cm
41 cm	NO	39 cm	43 cm
	TAK	41 cm	45 cm
46 cm	NO	44 cm	48 cm

Tabela 2

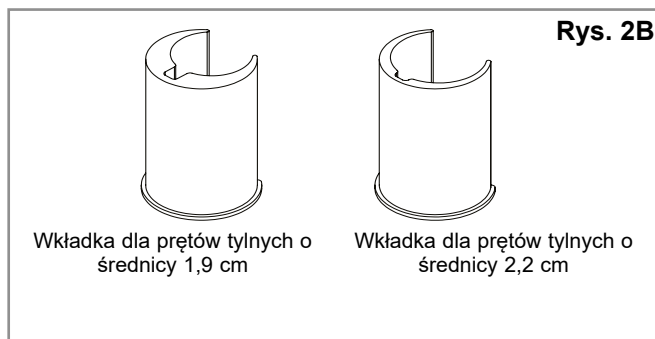
SZEROKOŚĆ OPARCIA J3 CARBON Osprzęt szybkiego montażu	Szerokość prętów tylnych od zewnętrznej do zewnętrznej krawędzi (Rys. 1-A)	
	Minimalna szerokość	Maksymalna szerokość
32 cm	31 cm	36 cm
36 cm	36 cm	41 cm
41 cm	41 cm	46 cm
46 cm	46 cm	51 cm



Rys. 2

Tabela 3

Szerokość oparcia J3 Carbon	Średnica pręta (Rys. 2)			
	Minimalna szerokość Cale		Maksymalna szerokość Cale	
	cm	cm	cm	cm
12,6-18" (32-46 cm)	3/4	1,9	1,0	2,2



Rys. 2B

Wkładka dla prętów tylnych o średnicy 1,9 cm

Wkładka dla prętów tylnych o średnicy 2,2 cm

INSTALACJA OSPRZĘTU MONTAŻOWEGO

Przed rozpoczęciem instalacji należy przeczytać niniejszą instrukcję.

Najlepiej rozpocząć instalację oparcia J3 Carbon, gdy użytkownik nie przebywa na wózku. Gdy oparcie zostanie zamontowane i niezbędne są drobne regulacje, użytkownik może powrócić na wózek.

Wymagane narzędzia (załączone do oparcia J3 Carbon)*

- klucz sześciokątny 4 mm (tylko w przypadku osprzętu szybkiego montażu)
- klucz 10 mm.

UWAGA: Gdy określone zostały ustawienia momentu obrotowego, usilnie zaleca się użycie dynamometru (nie załączono do oparcia J3) w celu weryfikacji, czy użyto właściwego momentu.

Instrukcja instalacji stałego osprzętu montażowego
(Rys. 3, 4 i 5)

1. Należy zdemontować używane oparcie wózka zgodnie z instrukcją obsługi,

UWAGA: Jeśli wózek ma szerokość 34 cm, 40 cm lub 44 cm, niezbędny będzie montaż przekładek dołączonych do zestawu: Instrukcje:

2. Kluczem nasadkowym 10 mm, dołączonym do zestawu, należy poluzować nakrętki (C) i śruby (B), ale nie należy ich wyjmować.
3. Kluczem nasadkowym 10 mm poluzować i wykręcić śrubę (A), a następnie otworzyć zawias, aby umożliwić montaż osprzętu wokół prętów tylnych wózka.
4. Umieścić osprzęt montażowy na wybranej wysokości prętów tylnych wózka i zamknąć zawias, a następnie dokręcić śrubę (A). Na każdym słupku klamry montażowe powinny znajdować się mniej więcej na tej samej wysokości. Zwykle lepiej jest je montować wyżej.

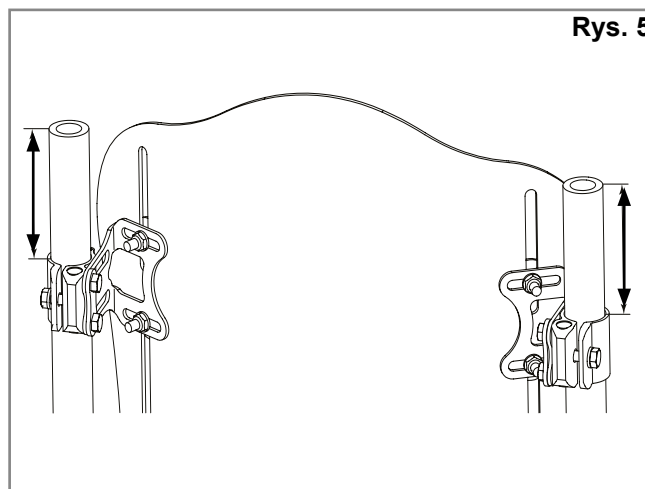
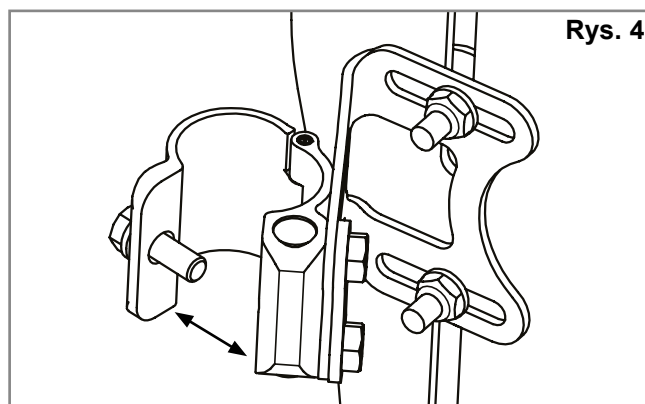
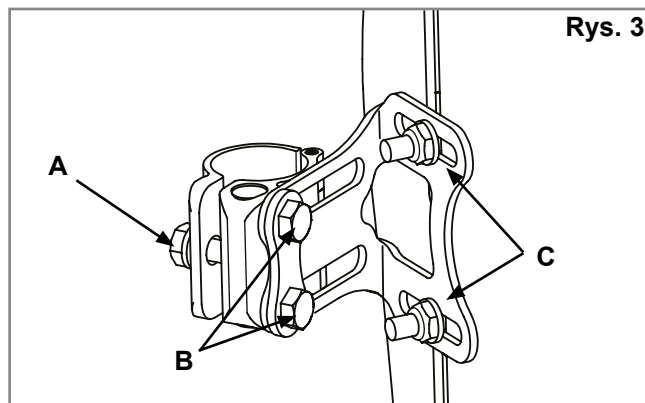
UWAGA: W przypadku prętów tylnych o średnicy poniżej 25 mm należy użyć odpowiednich przekładek.

5. Wyregulować położenie, głębokość, kąt nachylenia i wysokość oparcia, a następnie dokręcić śruby (B) i nakrętki (C).

Dokręcić wszystkie nakrętki i śruby:

Zalecane wartości momentu dokręcającego:

- Śruby (A) i (B): 11,3 – 12,4 Nm
- Nakrętki (C): 8,5 – 9,3 Nm



INSTRUKCJA MONTAŻU ZESTAWU PRZEKŁADEK:

(Rys. 6, 7).

UWAGA: zestaw potrzebny tylko dla szerokości 34 cm, 40 cm i 44 cm.

1. Wykręcić dwie (2) śruby (B) mocujące wspornik montażowy do zacisków prętów tylnych (Rys. 6).

UWAGA: po wykręceniu tych śrub nakrętka tulei spadną. Należy je złapać, aby nie upadły na podłogę.

2. Umieścić przekładkę (D) pomiędzy wspornikiem a zaciskami.

3. W razie potrzeby wymienić nakrętki tulei i wyrównać otwory, aby móc w nie wkręcić śruby. Zamocować całość dłuższymi (M6 x 25) śrubami z zestawu.

INSTRUKCJA MONTAŻU OSPRZĘTU SZYBKIEGO MONTAŻU

(Rys. 8, 9, 10,).

1. Należy zdemontować używane oparcie wózka zgodnie z instrukcją obsługi.

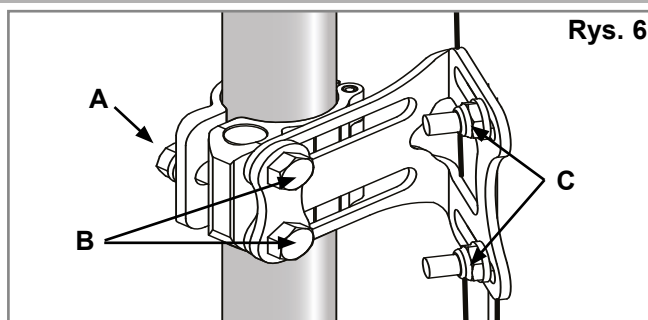
2. Wzrokowo określić pożądaną pozycję gniazd na rurkach tylnych wózka. Osprzęt powinien znajdować się na równej wysokości na obu tylnych słupkach (Rys. 8) oraz równoległe do ramy siedziska (Rys. 9). Z założenia lepsze jest wyższe położenie na rurkach tylnych.

3. Zamontować gniazda osprzętu. (Rys. 10)
Kluczem nasadkowym 10 mm poluzować i wykręcić śrubę (A), a następnie otworzyć zawias, aby umożliwić montaż osprzętu wokół prętów tylnych wózka.

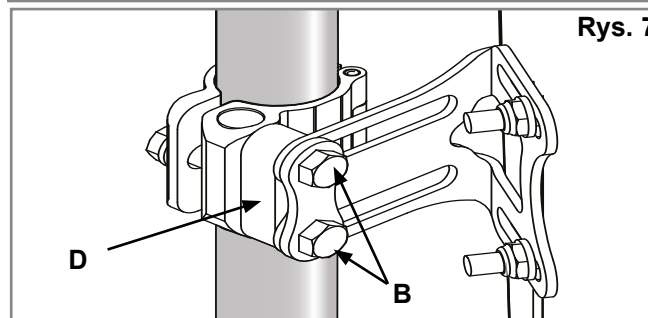
UWAGA: W przypadku prętów tylnych o średnicy poniżej 25 mm należy użyć odpowiednich przekładek.

- Zamontować i wyrównać gniazda na rurkach oparcia wózka.
- Ręcznie dokręcić śruby zacisku (A).

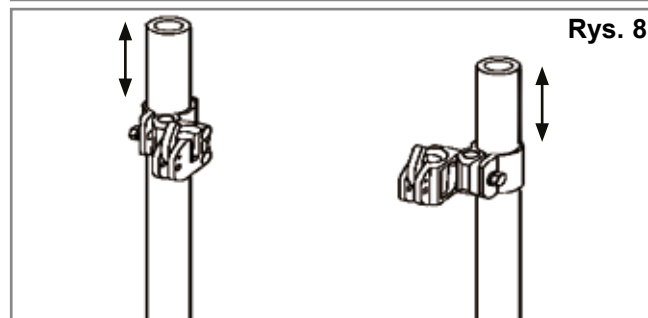
UWAGA: Gniazda mogą wymagać dodatkowo bocznych regulacji, aby osiągnąć właściwe ustawienie.



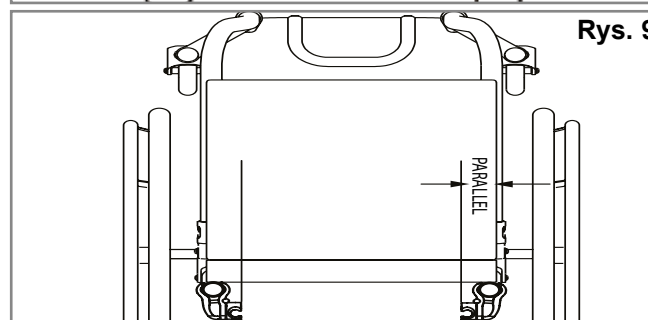
Rys. 6



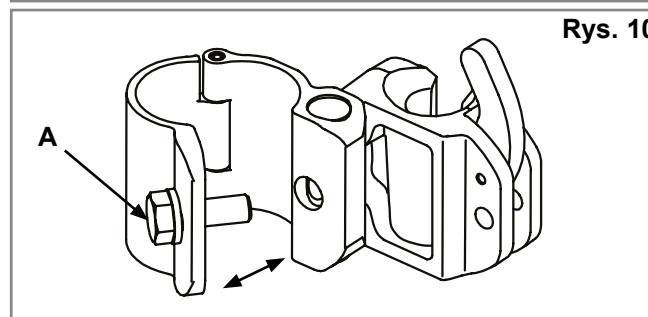
Rys. 7



Rys. 8



Rys. 9



Rys. 10

MONTOWANIE I WYRÓWNYWANIE OSŁONY OPARCIA

(Rys. 11, 12, 13).

- Kluczem nasadkowym 10 mm poluzować śruby sworznia mocującego (B) i nakrętki wspornika (C), ale bez ich odkręcania.
- Przymocować oparcie J3 Carbon do osprzętu montażowego poprzez wsunięcie kołków w gniazda (Rys. 12).
- Wyregulować położenie (Rys. 13), głębokość, kąt nachylenia i wysokość oparcia, a następnie ręcznie dokręcić śruby (B) i nakrętki (C).

UWAGA: Głębokość i kąt oparcia mogą wymagać dodatkowej regulacji, celem osiągnięcia właściwego dopasowania do użytkownika.

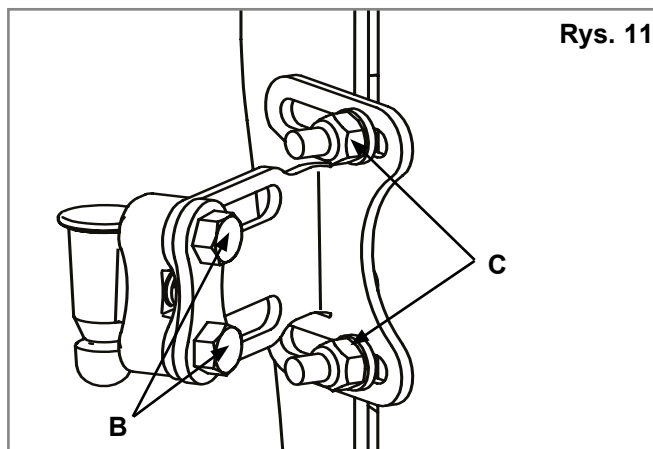
- Sprawdzić zwalnianie oparcia poprzez popchnięcie dźwigni zwalniania w przód i odłączenie oparcia od wózka. (Dalsze informacje znajdują się w rozdziale Demontaż i wymiana.) O właściwym ustawieniu klamer montażowych i oparcia świadczy możliwość płynnego zamontowania i zwolnienia oparcia.
- Jeśli właściwe ustawienie nie zostało osiągnięte, należy regulować elementy do momentu uzyskania prawidłowego ich ustawienia.
- Po właściwym dopasowaniu ustawienia, dokręcić wszystkie śruby i klamry.

UWAGA: Śruby i nakrętki dokręcać dopiero po właściwym ustawieniu oparcia:

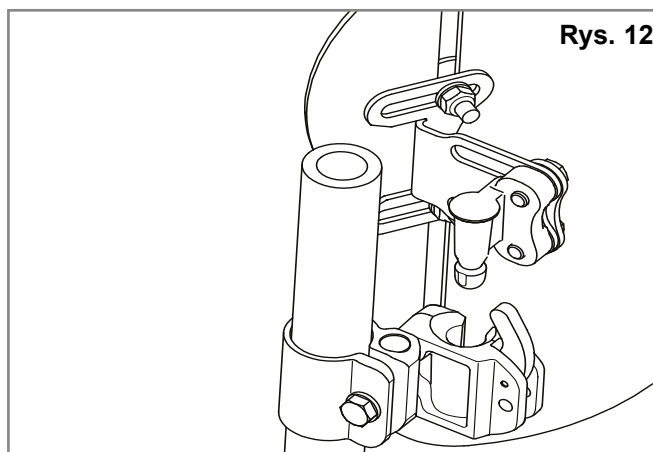
Zalecane wartości momentu dokręcającego:

Śruby (A) i (B): 11,3 – 12,4 Nm

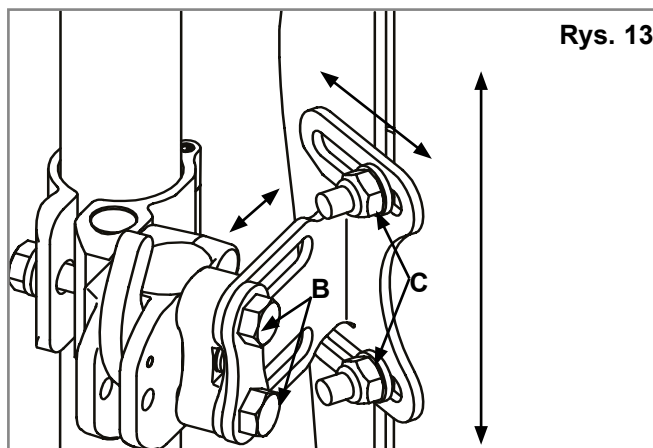
Nakrętki (C): 8,5 – 9,3 Nm



Rys. 11



Rys. 12



Rys. 13

REGULACJA WYSOKOŚCI, GŁĘBOKOŚCI I KĄTA OPARCIA J3

Zakończono pierwszą fazę montażu osprzętu oparcia J3. Teraz użytkownik może zająć miejsce na wózku, aby można było dopasować do niego oparcie J3 Carbon. Nie wolno naciskać pełną siłą na oparcie, dopóki nie zostanie ono całkowicie dokręcone do wymaganej siły dokręcenia śrub.

1. Regulacja wysokości (Rys. 14).

- Określić żądaną wysokość oparcia gdy użytkownik znajduje się na wózku. Gdy ustawienia zostaną określone, użytkownik winien zaprzestać nacisku na oparcie J3 Carbon poprzez pochylenie lub częściowe przesunięcie do przodu, w celu umożliwienia przeprowadzenia dokonania regulacji.
- Należy poluzować nakrętki wspornika (C) i ustawić wysokość tylnej osłony.
- Mocno dokręcić nakrętki wspornika (C). Zalecane ustawienia siły docisku śrub w zakresie 8,5 – 9,3 Nm.

UWAGA: Po dokonaniu regulacji wysokości sprawdzić czy szerokość nie została nieumyślnie zmieniona.

2. Regulacja głębokości/kąta (Rys. 11, 12, 13 i 14)

Dostępne są dwa typy osprzętu montażowego – stały (Rys. 15) lub szybkiego montażu (Rys. 16). W obu przypadkach możliwa jest taka sama regulacja, ale dla osprzętu stałego zakres regulacji głębokości to 4 cm (Rys. 15), a dla osprzętu szybkiego montażu (demontowalny) – 2,9 cm (Rys. 16).

- Aby wyregulować głębokość i kąt oparcia J3 Carbon, poluzować lewe i prawe śruby (B; Rys. 16) w gniazdach wspornika.
- Wyregulować głębokość i/lub kąt i mocno dokręcić. Zalecane ustawienia momentu obrotowego w zakresie 11,3 - 12,4 Nm. Upewnić się, że żadna ze śrub regulacyjnych głębokości (B; Rys. 16) nie ześlizgnie się ani nie obróci.

UWAGA: Przed założeniem śrub zaleca się nałożenie na gwinty gniazda i śruby odpowiedniego środka do uszczelniania gwintów o średniej mocy np. Loctite 243. Należy to wykonać w przypadku zmiany położenia oparcia.

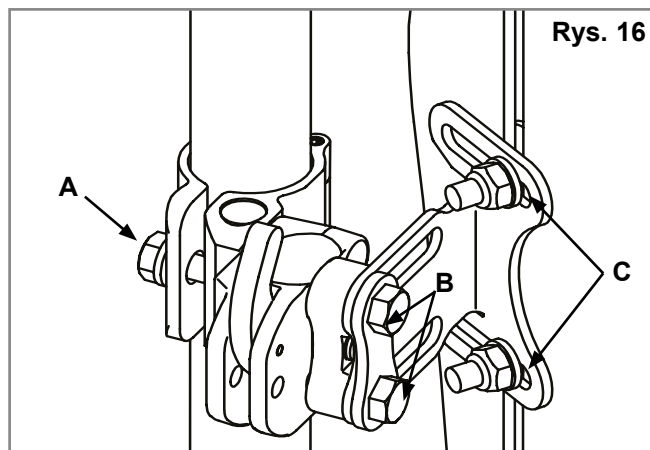
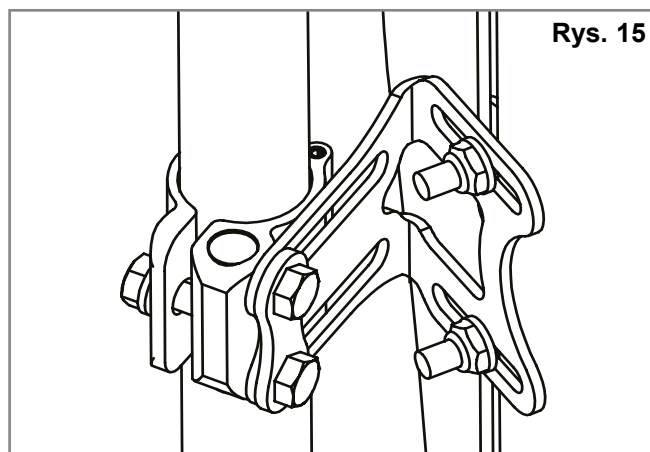
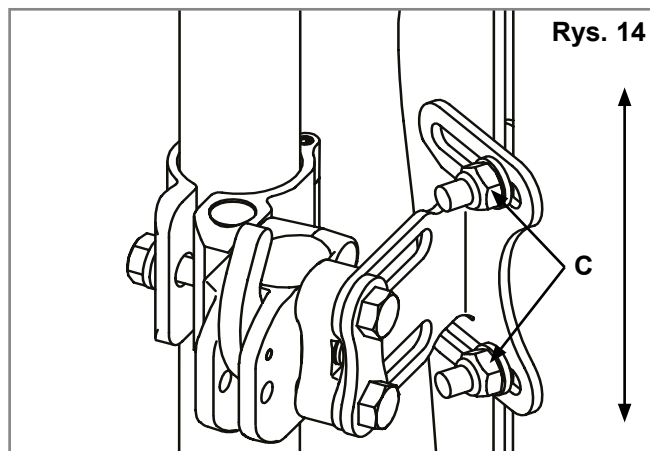
Zalecane wartości momentu dokręcającego:

Śruby (A) i (B): 11,3 – 12,4 Nm

Nakrętki (C): 8,5 – 9,3 Nm

⚠ OSTRZEŻENIE!

Po dokonaniu wszystkich regulacji, gdy oparcie J3 Carbon jest gotowe do użytku, należy upewnić się, że cały osprzęt został właściwie dokręcony.



DEMONTAŻ I WYMIANA

Demontaż – osprzęt szybkiego montażu

Po montażu i regulacji, w razie konieczności oparcie można łatwo zdemontować z wózka. W celu wymontowania należy przesunąć wszystkie dźwignie zwalniające do przodu. Skutkuje to odblokowaniem, (Rys. 17). Po przesunięciu obu dźwigni do przodu wystarczy podnieść oparcie (Rys. 18) za uchwyt znajdujący się w jego górnej części.

Prawidłowe ponowne zamontowanie po demontażu

Aby ponownie zamontować oparcie w gniazdach osprzętu, należy wyrównać sworznie z gniazdami i wepchnąć je na miejsce.

Prawidłowo włożone kołki zatrzasną się w położeniu zablokowania (Rys. 19-20).

OSTRZEŻENIE!

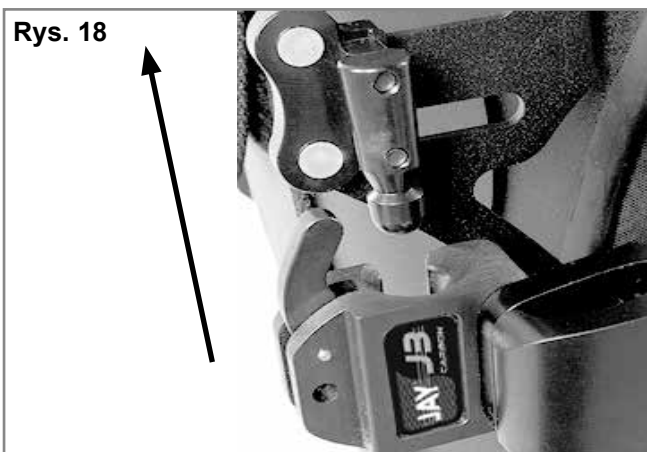
W razie braku pewności, czy słycać było kliknięcie blokujące, pociągnąć oparcie za pomocą uchwytu celem upewnienia się, że zostało bezpiecznie zablokowane.

Demontaż – osprzęt stały

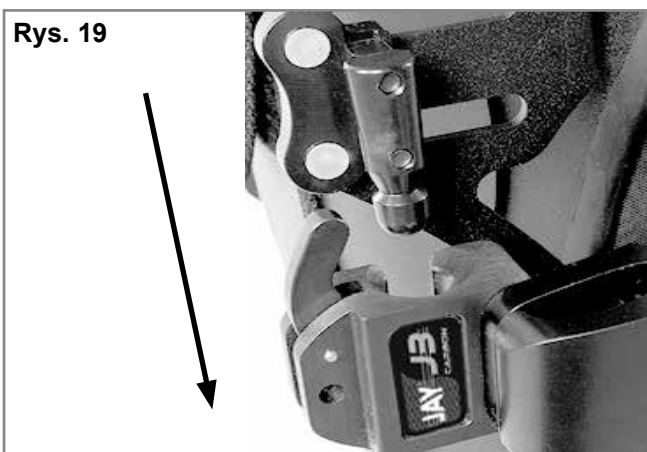
Jeśli oparcie J3 Carbon zostało zamontowane z użyciem osprzętu stałego, należy postępować zgodnie z następującą instrukcją:

1. Kluczem 10 mm poluzować i wykręcić śrubę zawiasu (A) z lewego i prawego zacisku.
2. Otworzyć zawias i zdemontować oparcie J3 Carbon (Rys. 21).
Ponowny montaż po demontażu Aby ponownie zamontować oparcie, należy postępować zgodnie z instrukcją montażu zamieszczoną w tej instrukcji (str. 9).

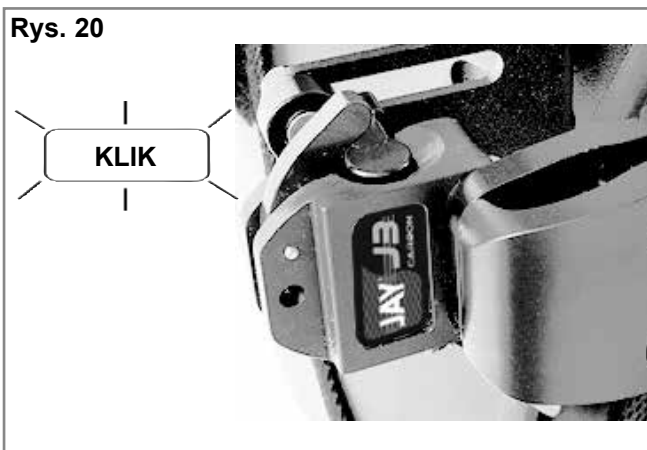
Rys. 18



Rys. 19



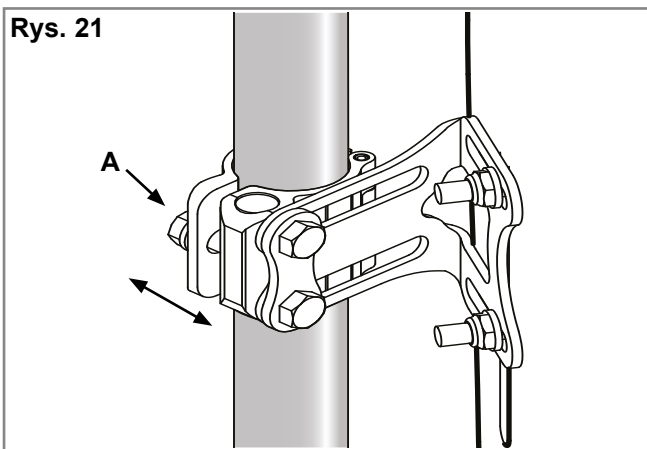
Rys. 20



Rys. 17



Rys. 21



MONTAŻ KLAPY ZASŁANIAJĄCEJ

1. Podnieś górną klapę pokrowca oparcia J3 Carbon (Rys. 22)
2. Przy użyciu rzepu przyczep klapę zasłaniającą do tylnej części pokrowca oparcia J3 Carbon (Rys. 23). Ponownie zapnij górną klapę pokrowca, aby klapa zasłaniająca znajdowała się pomiędzy dolną i górną klapą pokrowca (Rys. 24).
3. Zdejmij poduszkę siedziska z wózka, a następnie umieść „ogon” klap zasłaniającej pomiędzy podstawą siedziska, a poduszką (Rys. 25).
4. Dopasuj położenie klap zasłaniającej poprzez wsunięcie „ogona” klap pod poduszkę siedziska lub wysunięcie go. Można też podnieść lub opuścić górną część klap zasłaniającej znajdującą się na oparciu.
5. Przelóż paski z rzepami przez odpowiednie przelotki w klapie zasłaniającej, a następnie owiń je wokół ramy wózka i przelóż końcówkę rzepu przez przelotkę na końcu (Rys. 26-27). Zaciśnij i zapnij odstające elementy, aby zakryć otwory w klapie zasłaniającej (Rys. 28).



Rys. 24



Rys. 25



Rys. 26



Rys. 22



Rys. 27



Rys. 23



Rys. 28

PRZECIWWSKAZANIA**⚠️ OSTRZEŻENIE!**

Nie wolno użytkować ani przepisywać oparcia użytkownikowi o masie przekraczającej dopuszczalną wagę.

RECYKLING I PONOWNE UŻYTKOWANIE:**⚠️ OSTRZEŻENIE!**

Ryzyko urazu.

Przed przekazaniem produktu innemu użytkownikowi autoryzowany sprzedawca Sunrise Medical powinien dokonać jego inspekcji pod kątem uszkodzeń lub zużycia. W przypadku wykrycia uszkodzeń **NIE WOLNO UŻYWAĆ PRODUKTU**.

Nieprzestrzeganie tych ostrzeżeń może skutkować poważnymi obrażeniami.

Produkt nadaje się do ponownego użytku*:
Autoryzowany sprzedawca Sunrise Medical powinien dokonać sprawdzenia osłony, klamer montażowych, pianki i pokrowca pod kątem uszkodzeń lub zużycia. W przypadku wykrycia uszkodzeń nie wolno używać produktu.
Wyczyścić i zdezynfekować osłonę, klamry montażowe, piankę i pokrowiec zgodnie z lokalnymi przepisami. Szczegółowe informacje można uzyskać w lokalnej organizacji odpowiedzialnej za nadzór nad zakażeniami. Po wyczyszczeniu i dezynfekcji autoryzowany sprzedawca Sunrise Medical powinien przeprowadzić kolejną inspekcję osłony, osprzętu, pianki i pokrowca, aby upewnić się, że podczas czyszczenia i dezynfekcji nie powstały żadne uszkodzenia.

24 MIESIĄCE GWARANCJI

Celem zapewnienia najlepszego działania, każde oparcie Jay J3 Carbon jest dokładnie kontrolowane i przetestowane. Każde oparcie Jay J3 Carbon posiada gwarancję braku defektów materiałowych oraz jakości wykonania na okres 24 miesięcy normalnego użytkowania, licząc od daty zakupu. W razie wystąpienia defektów materiałów lub jakości wykonania w ciągu 24 miesięcy od daty zakupu, firma Sunrise Medical nieodpłatnie dokona naprawy lub wymiany. Gwarancja ta nie obejmuje przebić, rozdarć czy nadpaleń, również na zdejmowanym pokrowcu oparcia. Reklamacje i naprawy powinien rozpatrywać najbliższy autoryzowany dostawca. Nie udziela się żadnych innych gwarancji niż wyraźnie wymienione w niniejszym dokumencie, w tym dorozumianych gwarancji przydatności handlowej i gwarancji przydatności do określonego celu. Nie obowiązują żadne gwarancje przekraczające opisany tu zakres. Prawa związane z naruszeniem niniejszych wyraźnych gwarancji są ograniczone do naprawy lub wymiany towarów. Zobowiązania wynikające z naruszenia gwarancji w żadnym wypadku nie obejmują szkód wynikających z użytkowania towarów niezgodnych z wymaganiami.

Sunrise Medical anbefaler at du rådfører deg med en lege eller terapeut som har erfaring med setesystemer og sittebehov, for å finne ut om en J3-Carbon-rygg vil dekke dine behov.

⚠ ADVARSEL!

Rygger skal kun monteres av:

- En autorisert Sunrise Medical-forhandler.
- En kvalifisert og kompetent person innen helsesektoren som har mottatt riktig og sertifisert opplæring, enten av Sunrise Medical eller en godkjent representant.

BRUKSOMRÅDE FOR JAY J3-CARBON-RYGGEN

Jay J3-Carbon-ryggen er konstruert for å passe en rekke forskjellige rullestolbrukere. Den gir naturlig, komfortabel og effektiv støtte for å maksimere stolens funksjon og øke sittekomforten. I tillegg er ryggen lett, slitesterk og lettanvendelig.

Ryggen kan monteres på en rekke forskjellige rullestoler.

Maksimal brukervekt: 125 kg.

Ryggens forventede levetid er to år.

⚠ ADVARSEL!

Montering av en rygg kan påvirke rullestolens tyngdepunkt. Dette kan gjøre at stolen tipper bakover, som igjen kan føre til personskade.

Du bør derfor alltid vurdere bruk av tippesikringer eller amputasjonsbraketter på rullestolen for å øke dens stabilitet.

⚠ ADVARSEL!

Ikke skyv eller løft rullestolen ved å holde fast i J3-Carbon-ryggen. Feil bruk kan gjøre at ryggen plutselig løsner fra rullestolen.

⚠ ADVARSEL!

Ikke løft rullestolen ved bruk av håndtaket på J3-Carbon-ryggen. Det er kun ment til å demontere ryggen.

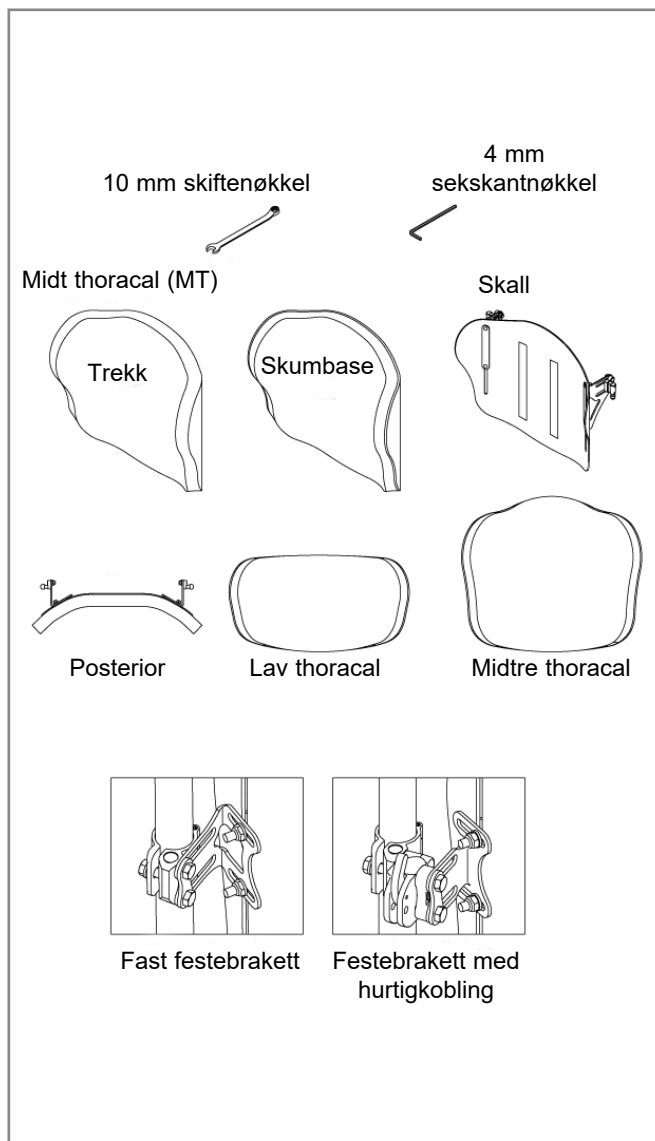
⚠ ADVARSEL!

Uforsiktighet kan føre til brann.

⚠ ADVARSEL!

Les bruksanvisningen før bruk.

J3 CARBON-RYGG



VEDLIKEHOLD

Sunrise anbefaler at alle fester kontrolleres for slitasje, slik som løse bolter eller skadde komponenter, hver 6. måned. Løse fester skal strammes i henhold til monteringsinstruksjonene. Alle festebraketter må strammes i henhold til spesifikasjonene beskrevet i avsnittet om montering av festebraketter. Ta kontakt med Sunrise Medical umiddelbart for å skifte ut eventuelt skadde komponenter. Du må ikke fortsette å bruke utstyret dersom du oppdager løse eller skadde komponenter.

ENKEL RENGJØRING

MERK:Når du demonterer ryggen for å vaske den, merk deg hvor borrelåsen er plassert på delene, slik at du kan sette sammen ryggen igjen på riktig måte.

Vaske ryggtrekket

Ta av trekket ved å åpne borrelåsen. Fjern trekket fra ryggskallet. Finn glidelåsen nederst på trekket, og åpne den. Ta ut skumputen og vring trekket. Lukk trekket for å unngå at det henger seg fast. Maskinvask i varmt vann (60 °C) La trekket lufttørke eller i trommel på lav varme.

MERK: Trekket skal ikke kjemisk renses, vaskes eller tørkes i industrimaskin. Trekket må ikke dampes i trykkoker/autoklaveres. Trekket må ikke blekes.

Legg skumputen tilbake i trekket. Vær oppmerksom på at basen har to skumputelag. Når du legger tilbake skumputen, pass på at den tynne "lys grå" puten ligger ned mot skallet. Når skumputen er på plass i trekket, lukk glidelåsen.

Rengjøre ryggskallet

Skallet kan tørkes over med såpe og vann. Det er ikke nødvendig med annet vedlikehold enn dette.

Rengjøre delene

Delene kan vaskes med såpevann. Legg ikke delene i vann.

Hvis du har spørsmål angående rengjøringsprosedyrene, vennligst ta kontakt med din Sunrise Medical-kontakt.

Vaskeanvisninger	
	Maskinvask i varmt vann (60 °C)
	Kun klorfritt blekemiddel.
	Lufttørkes
	Må ikke strykes
	Må ikke renses

FASTSETTE KOMPATIBILITET

Rullestoltyper

J3-Carbon-ryggen er konstruert til å passe de aller fleste rullestoler, med unntak av følgende: Ryggen skal ikke brukes på rullestoler som er vinkeljusterbare, med vippe- og tiltfunksjon hvor vinkelen på ryggen vil overstige 60 grader.

⚠ ADVARSEL!

Hvis ryggen brukes på disse rullestoltypene, kan den falle av ved et uhell. Dette kan igjen gjøre at brukeren faller ut av stolen og pådrar seg personskader.

Rullestoldimensjoner

J3-Carbon-ryggen er konstruert til å erstatte rullestolens ryggtrekk. Kontroller at rullestolen har kompatible ryggør før du monterer ryggen, ved å måle avstanden mellom ryggørene slik vist i Figur 1. Bruk dette målet og kontroller Tabell 1 (Fast festebrakett) eller Tabell 2 (Hurtigkobling), for å avgjøre om ryggen vil passe stolen din.

Kontroller at ryggørene har en kompatibel diameter. Braketten til J3 Carbon-ryggen kan festes på ryggør med en diameter på 3/4" (19 mm) (med innlegg), 7/8" (22 mm) (med innlegg), eller 1" (25 mm) (uten innlegg). Hvis du ikke kan avgjøre om ryggørene er kompatible, ta kontakt med din autoriserte Sunrise Medical-forhandler eller Sunrise Medicals kundesenter.

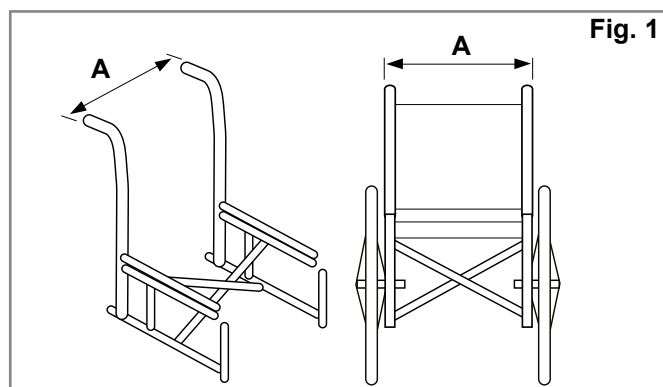


Fig. 1

Tabell 1

J3 CARBON- RYGGBREDDE Fast montering		Bredde på ryggør, fra ytterside til ytterside på rørene (Fig. 1-A)	
		Minimal bredde	Maksimal bredde
32 cm	NEI	29 cm	33 cm
	JA	31 cm	35 cm
36 cm	NEI	34 cm	38 cm
	JA	36 cm	40 cm
41 cm	NEI	39 cm	43 cm
	JA	41 cm	45 cm
46 cm	NEI	44 cm	48 cm

Tabell 2

J3 CARBON- RYGGBREDDE Hurtigkobling		Bredde på ryggør, fra ytterside til ytterside på rørene (Fig. 1-A)	
		Minimal bredde	Maksimal bredde
32 cm		31 cm	36 cm
36 cm		36 cm	41 cm
41 cm		41 cm	46 cm
46 cm		46 cm	51 cm

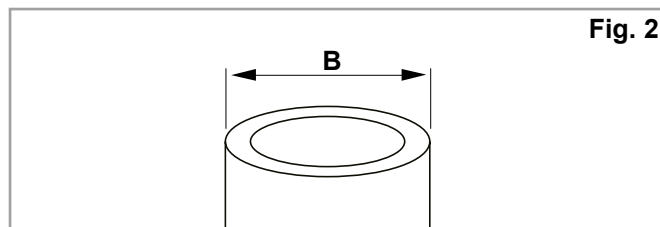


Fig. 2

Tabell 3

J3 Carbon- ryggbredde	Rørdiameter (Fig. 2)			
	Minimums bredde Tommer cm		Maksimums bredde Tommer cm	
12,6-18" (32-46 cm)	3/4	1,9	1,0	2,2

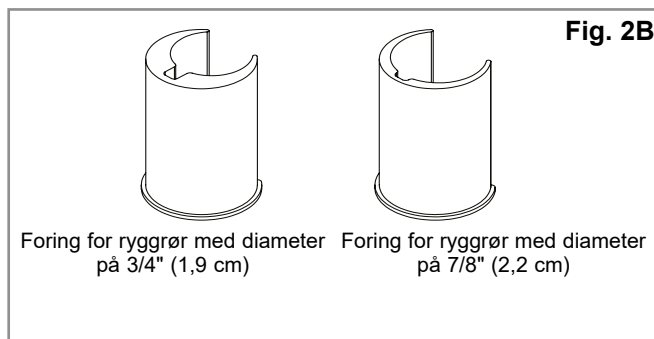


Fig. 2B

Foring for ryggør med diameter på 3/4" (1,9 cm)

Foring for ryggør med diameter på 7/8" (2,2 cm)

MONTERE FESTEBRACKETTENE

Les igjennom følgende instruksjoner før du monterer ryggen.

Når du skal montere J3-Carbon-ryggen, er det best at brukeren ikke sitter i rullestolen. Når ryggen er montert og det er nødvendig å finjustere den, kan brukeren sette seg tilbake i rullestolen.

Nødvendig verktøy (leveres med J3-Carbon-ryggen)*

- 4 mm sekskantnøkkel (kun nødvendig for hurtigkoblinger)
- 10 mm skiftenøkkel.

MERK:Når det er oppgitt et dreiemoment, anbefaler vi at du bruker en dreiemomentmåler (leveres ikke med J3-ryggen) for å kontrollere at riktig dreiemoment er oppnådd.

Monteringsinstruksjoner for fast monteringsystem,
(Fig. 3, 4, 5).

1. Demonter den nåværende ryggen på rullestolen i henhold til produsentens spesifikasjoner.

MERK:Hvis rullestolens bredde er 34 cm, 40 cm eller 44 cm, må du montere avstandsstykkene som følger med ryggen: Se instruksjonene nedenfor:

2. Bruk den 10 mm skiftenøkkelen som følger med ryggen for å løsne - men ikke fjerne - mutrene (C) og skruene (B).
3. Bruk den 10 mm skiftenøkkelen til å løsne og fjerne skruen (A). Åpne hengslet slik at den kan plasseres rundt ryggørret på rullestolen.
4. Plasser festebraketten i ønsket høyde på rullestolens ryggør, lukk hengslet og stram deretter skruen (A). Braketten må festes i samme høyde på hvert ryggør. Høyere plasseringer er som regel bedre.

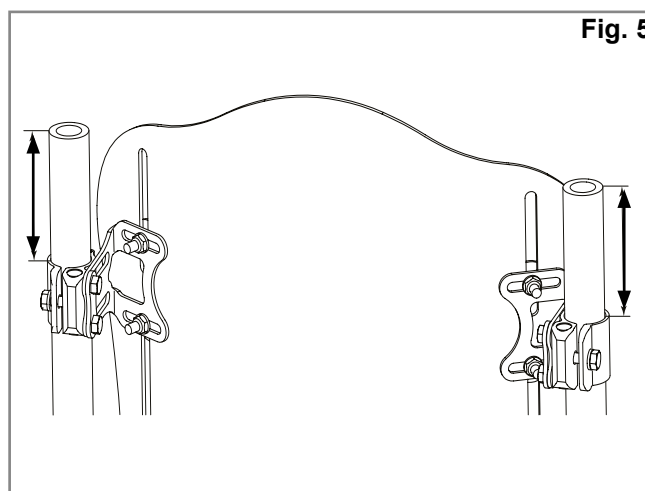
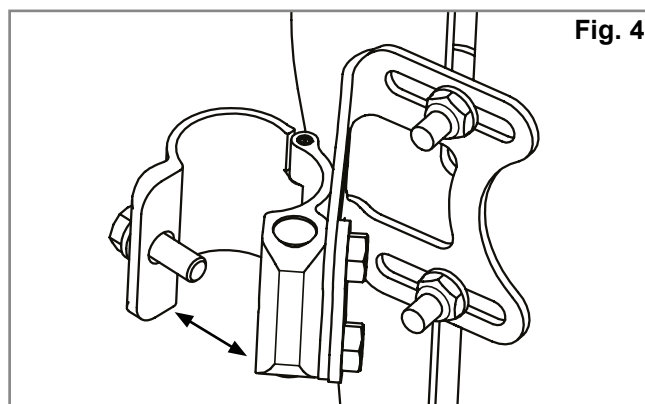
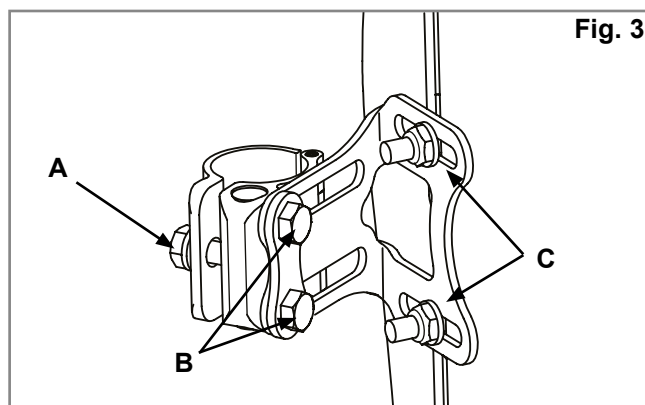
MERK: for ryggør med en diameter på under 25 mm må du bruke den tilpassete foringen.{2}

5. Juster ryggen til ønsket stilling, dybde, vinkel og høyde, og stram deretter skruene (B) og mutrene (C).

Stram alle skruer og muttere:

Anbefalte dreiemoment:

- Skruer (A) og (B): 11,3 – 12,4 Nm
- Muttere (C): 8,5 – 9,3 Nm



MONTERING AV AVSTANDSSTYKKER:

(Fig. 6, 7).

MERK: kun nødvendig for bredder på 34 cm, 40 cm og 44 cm.

1. Fjern de to (2) skruene (B) som fester festebraketten til klemmen på ryggrøret (Fig. 6).

MERK: når du fjerner disse skruene, vil hylsemutterene løsne. Vær klar til å ta tak i dem så de ikke faller på gulvet.

2. Plasser avstandsstykket (D) mellom braketten og klemmen.
3. Sett tilbake hylsemutterene om nødvendig, og rett opp hullene så de står på linje med skruene. Fest ved bruk av de lange skruene (M6 x 25) som følger med utstyret.

MONTERE HURTIGKOBLINGSYSTEMET

(Fig. 8, 9, 10).

1. Demonter den nåværende ryggen på rullestolen i henhold til produsentens spesifikasjoner.
2. Avgjør (visuelt) i hvilken høyde du ønsker å montere festebrakettene på rullestolens ryggrør. Festene skal monteres like høyt på hvert ryggrør (Fig. 8) og parallelt med seterammen (Fig. 9). Det er generelt bedre å montere festene høyere opp på ryggrørene, fordi det er enklere å justere høyden ved å skyve ryggen nedover.
3. Fest brakettene. (Fig. 10)
Bruk den 10 mm skiftenøkkelen til å skru ut skruen (A). Åpne hengslet slik at det kan festes rundt ryggrøret på rullestolen.

MERK: for ryggrør med en diameter på under 25 mm må du bruke den tilpassete foringen.

- Fest og tilpass brakettene på stolens ryggrør.
- Stram klemmeskruene (A) for hånd.

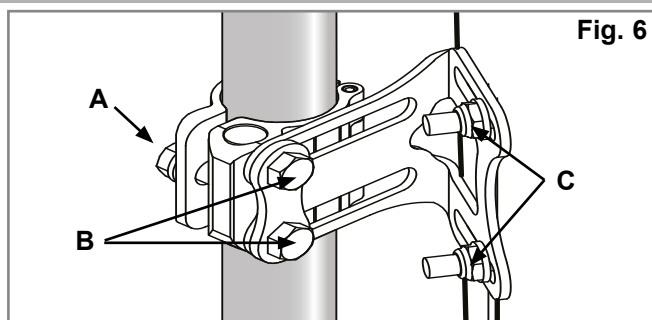
MERK: MERK: Det kan være nødvendig å justere brakettene sideveis for best mulig tilpasning.

Fig. 6

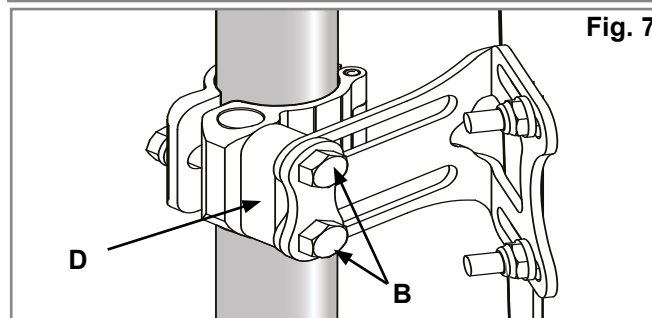


Fig. 7

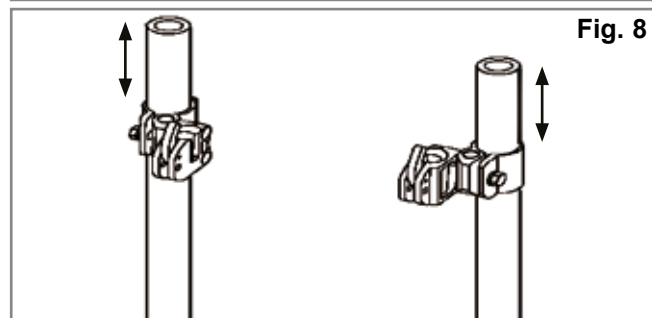


Fig. 8

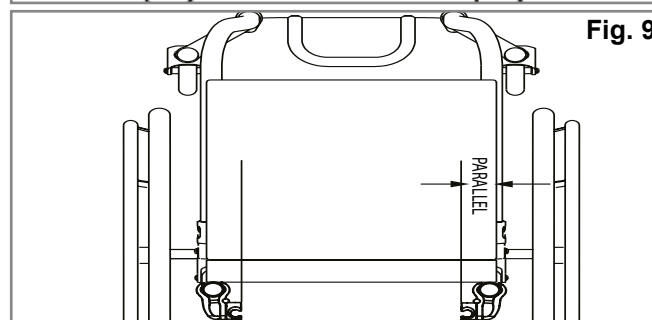


Fig. 9

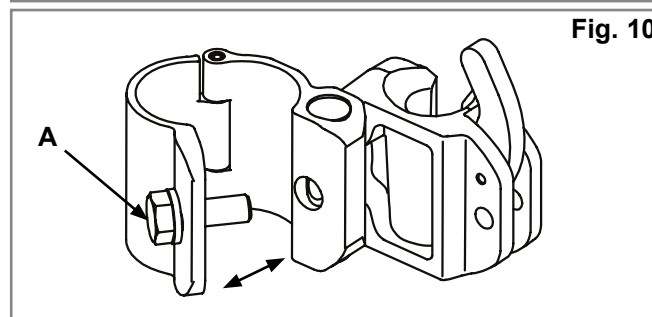


Fig. 10

FESTE OG JUSTER RYGGSKALLET (FIG. 6.0 - 7.0)

(Fig. 11, 12, 13).

- Bruk den 10 mm skiftenøkkelen for å løsne - men ikke fjerne - skruene (B) på festepinnen og mutrene (C) på braketten.
- Fest J3 Carbon-ryggen til braketten ved å plassere mottakerpinnene inn i mottakerne, (Fig. 12).
- Juster ryggen i ønsket stilling (Fig. 13), dybde, vinkel og høyde, og stram deretter skruene (B) og (C) for hånd.

MERK: Det kan være nødvendig å justere dybden og vinkelen på ryggen ytterligere for å gjøre den mest mulig komfortabel for brukeren.

- Kontroller at ryggen kan demonteres ved å skyve utløserpakene forover før du trekker ryggen ut av stolen. (Se avsnittet om montering og demontering for ytterligere informasjon). Ryggen og festebraketten er riktig tilpasset når ryggen lett kan monteres og demonteres.
- Hvis festebrakettene ikke er riktig montert, må de justeres til de sitter som de skal.
- Stram festebraketten når ryggen er riktig justert.

MERK: Stram alle muttere og skruer kun når ryggen er riktig justert:

Anbefalte dreiemomenter:
 Skruer (A) og (B): 11,3 – 12,4 Nm
 Muttere (C): 8,5 – 9,3 Nm

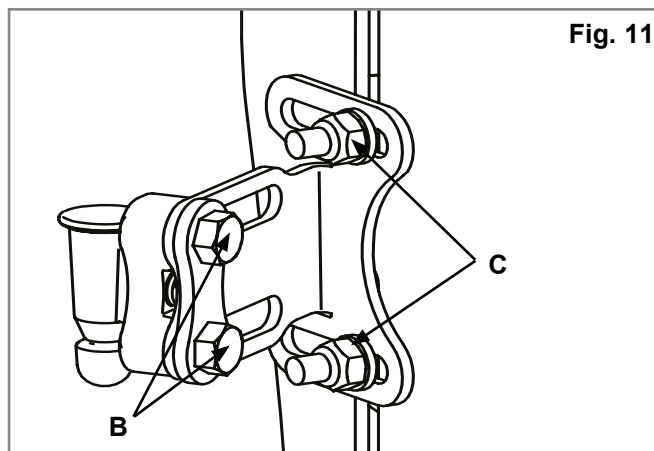


Fig. 11

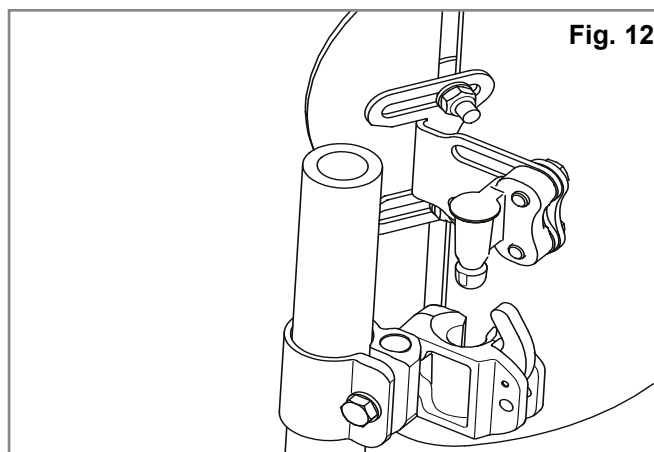


Fig. 12

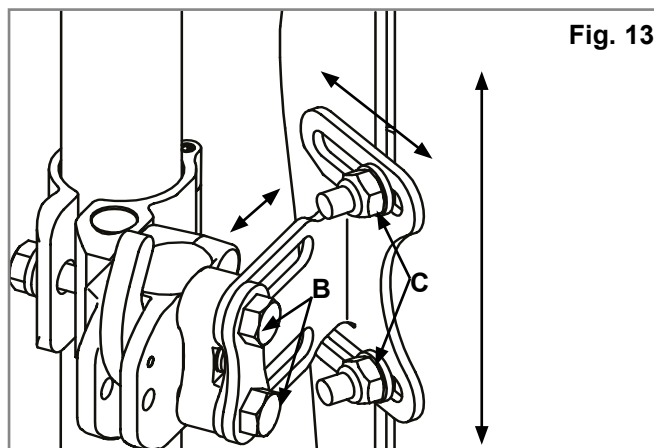


Fig. 13

JUSTERE HØYDE, DYBDE OG VINKEL PÅ J3-RYGGEN

Du har nå fullført den første monteringsfasen for J3-Carbon-ryggen.

Brukeren kan nå sette seg tilbake i rullestolen slik at ryggen kan tilpasses. Fordi ryggen ikke er strammet til med det nødvendige tiltrekkingsmomentet, må du ikke la brukeren lene seg tilbake med full tyngde.

1. Justere høyden (Fig. 14).

- Juster ryggen til ønsket høyde mens brukeren sitter i stolen. Når ønsket høyde er oppnådd, må du be brukeren lene eller skyve seg litt forover i setet, slik at J3-Carbon-ryggen kan justeres.
- Skru opp brakettmutrene (C) og juster høyden på ryggskallet til ønsket stilling.
- Stram brakettmutrene (C) forsvarlig. Det anbefalte dreiemomentet er 8,5 – 9,3 Nm.

MERK:Når du har justert høyden, må du kontrollere at bredden på brakettene ikke har blitt endret utilsiktet.

2. Dybde-/vinkeljusteringer (Fig. 11, 12, 13 & 14).

Vær oppmerksom på at du kan bestille to typer festbraketter - fast brakett (Fig. 15) eller brakett med hurtigkobling (Fig. 16). Begge typer festbraketter justeres på samme måte, men den faste braketten gir en dybdejustering på 1,6" (4 cm) (Fig. 15), mens braketten med hurtigkobling gir en dybdejustering på til sammen 1,1" (2,9 cm) (Fig. 16).

- For å justere dybden og vinkelen på J3 Carbon-ryggen, skrur du opp de høyre og venstre skruene (B) (Fig. 16) på brakettslissene.
- Juster dybden og/eller vinkelen, og stram mutrene (C) forsvarlig til. Det anbefalte dreiemomentet er 11,3 - 12,4 Nm. Pass på at ingen av dybdejusteringsskruene (Fig. 16) (B) sklir eller roterer.

MERK:Før du setter tilbake skruene, anbefaler vi på det sterkeste at du bruker et gjengelåsemiddel med middels styrke, f. eks. Loctite 243, på mottakeren og skruengjengene, dersom ryggen skal festes på nytt.

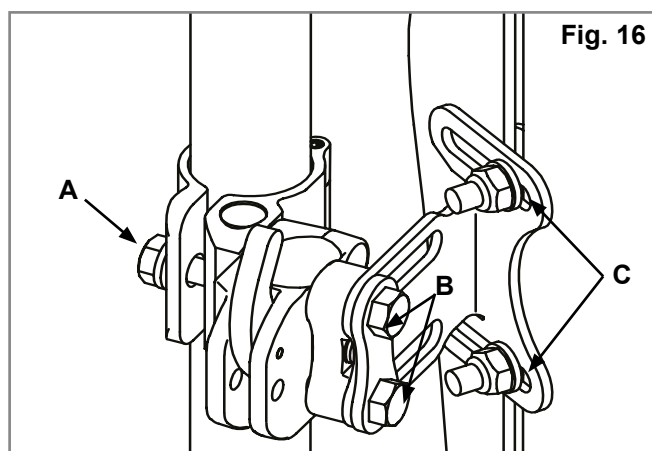
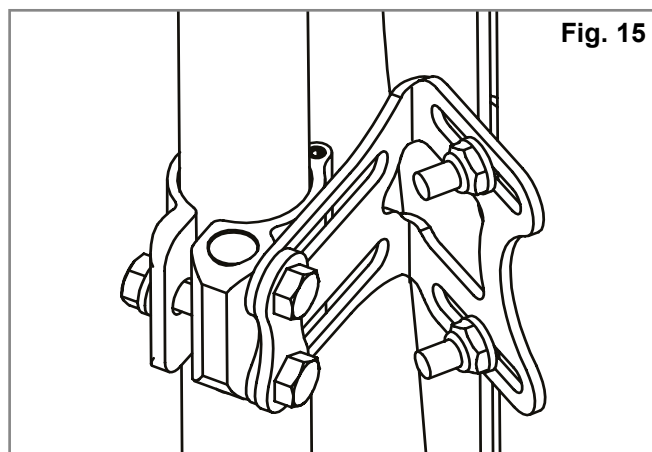
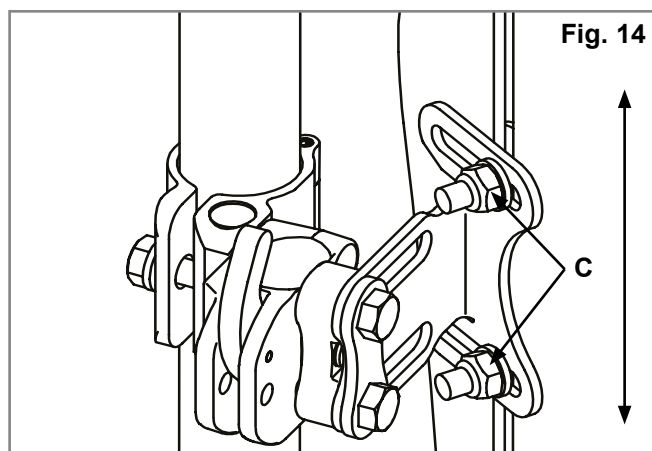
Anbefalte dreiemomenter:

Skruer (A) og (B): 11,3 – 12,4 Nm

Muttere (C): 8,5 – 9,3 Nm

⚠ADVARSEL!

Kontroller at alle festbraketter er strammet forsvarlig til når alle justeringer er fullført og J3-Carbon-ryggen er klar til bruk.



DEMONTERING OG UTSKIFTNING

Demontering - festeutstyr for hurtigkobling

Om nødvendig, kan ryggen lett tas av rullestolen ved å følge instruksjonene for montering og demontering av ryggen. For å demontere, skyv hver spake forover for å frigjøre dem. (Fig. 17). Når begge spakene er skjøvet forover, trekker du ryggen rett opp (Fig. 18) ved bruk av håndtaket som er plassert øverst på ryggen.

Riktig montering etter demontering av ryggen

For å sette ryggen tilbake på plass, setter du pinnene ned i brakettene og setter ryggen på plass.

Hvis ryggen er riktig montert, vil pinnene "klikke" på plass i låst stilling (Fig. 19-20).

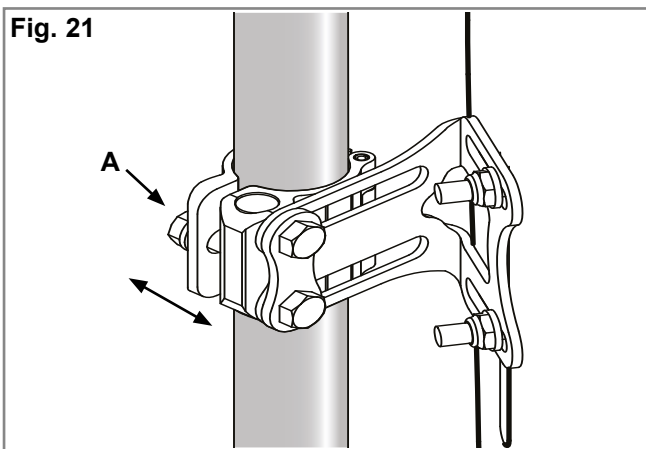
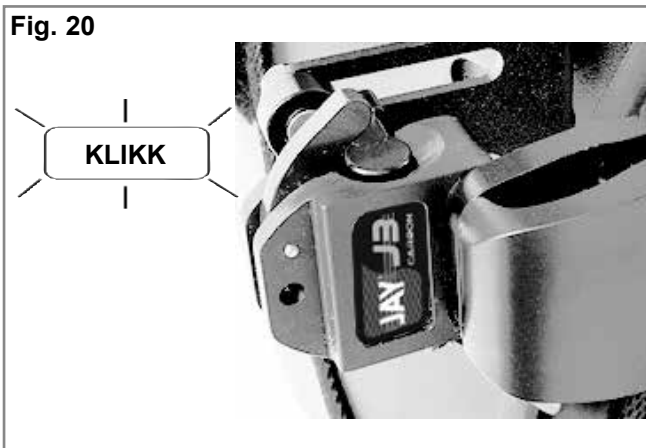
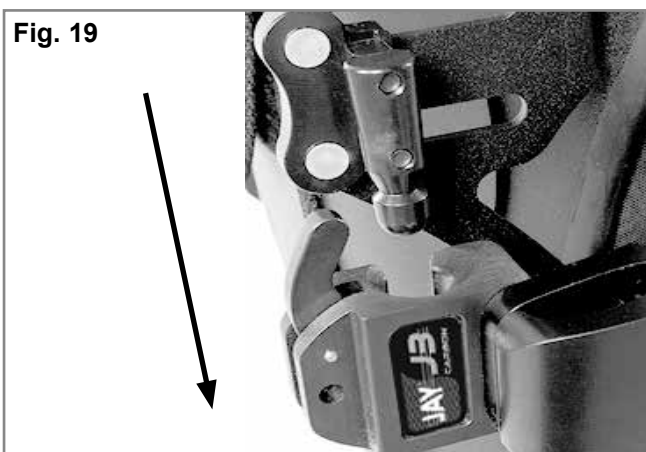
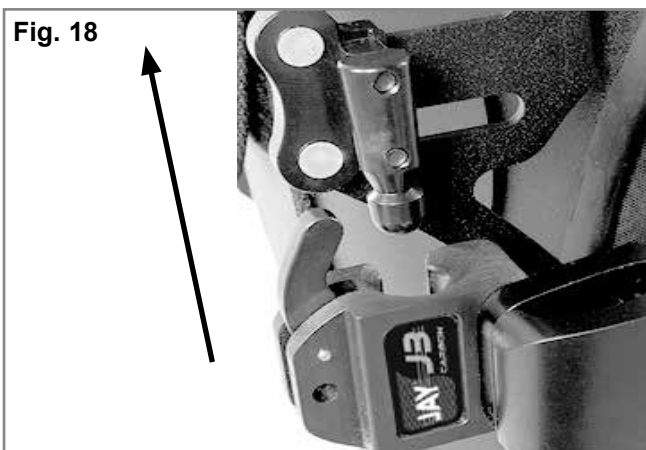
⚠ ADVARSEL!

Hvis du er usikker på om ryggen har "klikket" på plass, trekker du ryggstøtten opp ved bruk av håndtaket for å kontrollere at det er låst forsvarlig på plass.

Demontere - fast festebrakett

Hvis J3 Carbon-ryggen er utstyrt med fast festebrakett, følger du trinnene nedenfor for å ta den av rullestolen:

1. Skru opp og fjern hengselskruen (A) fra den høyre og venstre klemmen ved bruk av en 10 mm skiftenøkkel.
2. Åpne hengselet og ta av J3 Carbon-ryggen (Fig. 21). Riktig montering etter demontering. For å montere ryggen på nytt, følger du monteringsinstruksjonene beskrevet i denne brukerveiledningen (side 9).



MONTERING AV RYGGTREKKFORLENGER

1. Løft den øvre klaffen på J3-Carbon-ryggtrekket (Fig. 22)
2. Sett løkken på kroken, og fest ryggtrekkforlengeren bak på J3-ryggtrekket (Fig. 23). Sett tilbake den øvre klaffen på trekket for å dekke ryggtrekkforlengeren mellom den øvre og nedre klaffen (Fig. 24).
3. Ta seteputen ut av rullestolen, og legg "halen" på ryggtrekkforlengeren mellom setetrekket på rullestolen og sitteputen (Fig. 25).
4. Juster ryggtrekkforlengeren etter behov ved å flytte halen inn og ut under seteputen. Hvis nødvendig, kan også den øvre delen på ryggtrekkforlengeren flyttes opp og ned på ryggen.
5. Trekk festebåndene på løkken og kroken gjennom stroppene du vil bruke på ryggtrekkforlengeren. Vikle den deretter rundt rullestolrammen, før du fester den fremre enden gjennom åpningen på stroppen (Fig. 26-27). Stram til og lukk utvendige åpninger i ryggtrekkforlengeren (Fig. 28).



Fig. 24



Fig. 25



Fig. 26



Fig. 22



Fig. 27



Fig. 23



Fig. 28

KONTRAINDIKASJONER

ADVARSEL!

Ikke bruk eller foreskriv denne ryggen for noen som er yngre enn den maksimale brukervekten.

RESIRKULERING/GJENBRUK:

ADVARSEL!

Fare for personskade.

La alltid en Sunrise Medical-forhandler undersøke produktet for skade eller slitasje før det leveres til en annen bruker. Hvis produktet viser noen tegn til skade **MÅ DET IKKE BRUKES.**

Det kan oppstå alvorlige personskader dersom disse forholdsreglene ikke overholdes.

Dette produktet kan gjenbrukes*:

Få en Sunrise Medical-forhandler til å undersøke at ryggskallet, festebrakettene, skummet og trekket ikke er skadd eller slitt. Hvis det er noen tegn til skade må produktet ikke brukes.

Rengjør og desinfiser ryggskallet, festebrakettene, skummet og trekket i samsvar med lokale forskrifter. Kontakt instansen som er ansvarlig for hygienekontroll. Når ryggen er rengjort og desinfisert, be en Sunrise Medical-forhandler om å inspisere ryggskallet, festene, skumputen og trekket, for å forsikre om at rengjøringen/desinfeksjonen ikke forårsaket noen form for skader.

2 ÅRS BEGRENSET GARANTI

Alle Jay J3-Carbon-rygger er nøye kontrollert og testet for å garantere best mulig ytelse. Alle Jay J3-Carbon-rygger garanteres mot fabrikkasjons- og materialfeil i en periode på 2 år fra kjøpsdato, forutsatt at den har blitt brukt på normal måte. Dersom det oppstår en fabrikkasjons- eller materialfeil i løpet av 2 år fra den opprinnelige kjøpsdatoen, vil Sunrise Medical etter skjønn reparere eller erstatte ryggen uten omkostninger for kunden.

Garantien gjelder ikke punkteringer, rifter, brennmerker eller ryggens avtakbare trekk.

Bruk av garantien og reparasjoner skal gjøres gjennom din nærmeste autoriserte forhandler. Med unntak av de bestemte garantiene som er beskrevet her, skal ingen andre garantier, inkludert indirekte garantier om salgbarhet eller egnethet for et bestemt formål, gjelde. Ingen andre garantier enn de som er beskrevet her skal gjelde. Ved et eventuelt brudd på de bestemte garantiene som er beskrevet her, skal den eneste erstatningen være å reparere eller erstatte produktet. Ved et eventuelt brudd på disse garantiene, skal ikke erstatningen under noen omstendigheter inkludere følgeskader eller overstige prisen på produktene som er solgt.

Sunrise Medical anbefaler, at man rådfører sig med sin læge eller terapeut med erfaring i siddestilling og positionering for at afgøre, om et J3-Carbon-ryg er egnet til det påtænkte formål.

⚠ ADVARSEL!

Ryglæn bør kun monteres af:

- En autoriseret Sunrise Medical-forhandler.
- - en kvalificeret og kompetent sundhedsmedarbejder, som har modtaget forsvarlig og anerkendt oplæring heri af enten Sunrise Medical eller deres autoriserede forhandler.

ANVENDELSESFØRMÅL FOR JAY J3-CARBON-RYGGEN

Jay J3-Carbon-ryggen er beregnet til at give rygstøtte til kørestolsbrugere med vidt forskellige behov.

Det avancerede design har til formål at yde enkel, komfortabel og effektiv støtte, som giver maksimal funktionsevne og gør brugeren i stand til at sidde i kørestolen i længere tid ad gangen. Desuden betyder det slidstærke letvægtsdesign, at ryggen er let at anvende.

Ryglænet kan monteres på en lang række kørestolsmodeller.

Maks. brugervægt: 125 kg.

Ryglænets forventede levetid er 2 år.

⚠ ADVARSEL!

Montering af en rygstøtte i en kørestol kan påvirke tyngdepunktet, så man risikerer, at kørestolen tipper bagover og forårsager personskader.

Man bør derfor altid vurdere, om der er behov for at montere antitipstøtter eller amputationsakselplade for at opnå øget stabilitet.

⚠ ADVARSEL!

Brug ikke J3-Carbon-ryggen til at skubbe eller løfte kørestolen med. Forkert brug medfører risiko for, at ryggen pludselig glider fri af kørestolen.

⚠ ADVARSEL!

Brug ikke J3-Carbon-ryggens håndtag til at løfte kørestolen i. Håndtaget må kun bruges til at fjerne ryggen.

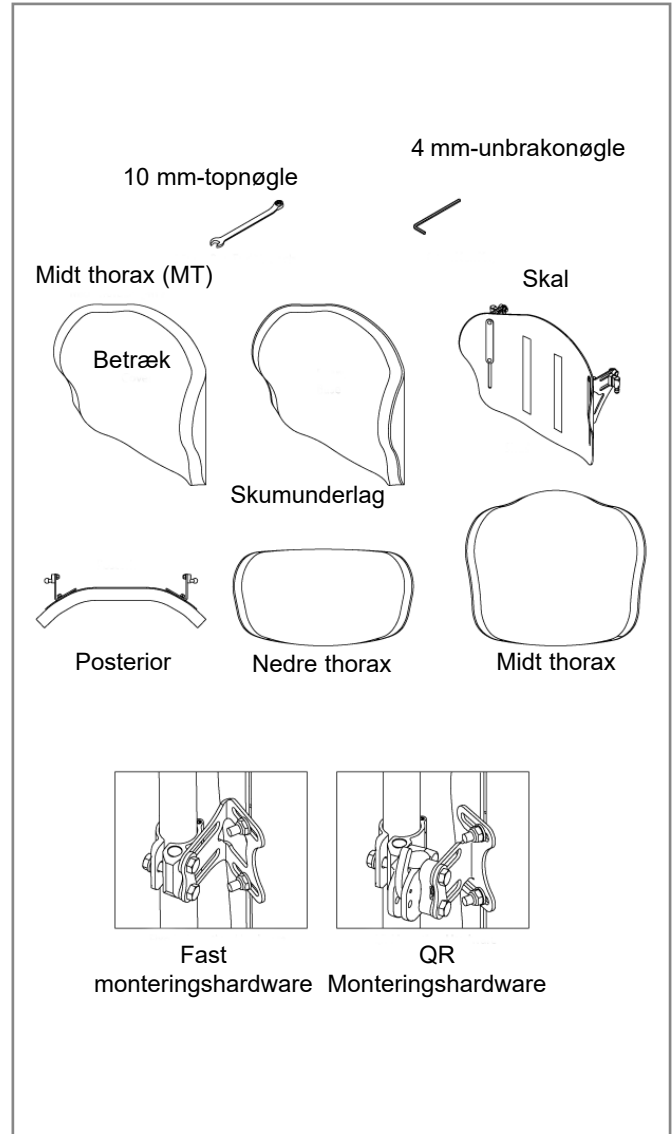
⚠ ADVARSEL!

Uagtsomhed medfører brandfare.

⚠ ADVARSEL!

Brugervejledningen bør læses nøje, inden produktet tages i brug.

J3 CARBON RYGGEN



VEDLIGEHOLDELSE

Sunrise anbefaler at alle fastgørelseselementer kontrolleres hver 6. måned for slitage, for eksempel løse bolte eller knækkede dele. Løse fastgørelseselementer skal spændes fast igen i henhold til monteringsvejledningen. Alle fastspændingselementer skal spændes ifølge de tilspændingsmomenter, der er angivet i afsnittet om montering af beslag. Hvis det konstateres, at der findes løse eller ødelagte dele, må systemet ikke bruges, og du skal straks kontakte din autoriserede Sunrise Medical-forhandler for at få dem udskiftet.

NEM RENGØRING

BEMÆRK: Når ryg delen skal skilles ad for rengøring, er det vigtigt at bemærke placeringen af Velcro® ryggradskomponenter for opretning, således at de kan genmonteres korrekt.

Rengøring af ryggens betræk

Betrækket fjernes ved at trække velcrostropperne fri. Fjern betrækket fra ryglænskskallen. Find lynlåsen i bunden af betrækket, og lyn den op. Fjern skumstykket, og vend vrangen ud på betrækket. Lyn betrækket i for at undgå, at lynlåsen hænger fast i stoffet. Maskinvask i varmt vand (60° C) Dryptør eller brug tørretumbler på lav varme.

BEMÆRK: Tåler ikke kemisk rens. Betrækket må ikke vaskes og/eller tørres i industrielle maskiner. Tåler ikke dampsterilisering (autoklave). Undgå blegning. Læg skumstykket ind i betrækket igen. Bemærk, at skumstykket består af to skumlag. Når skumstykket lægges ind i betrækket, skal du sørge for, at det tynde, lysegrå skumlag vender ind mod ryglænskskallen. Lyn lynlåsen helt i, når skumstykket ligger på plads i betrækket.






Rengøring af ryglænskskallen

Skallen kan tørres af med vand og sæbe. Yderligere vedligeholdelse er normalt ikke nødvendig.

Rengøring af positioneringskomponenter

Positioneringskomponenterne kan tørres af med vand og sæbe. Positioneringskomponenterne må ikke dypes i vand.

Hvis du har yderligere spørgsmål om rengøring, kan du kontakte din autoriserede Sunrise Medical-forhandler.

Vaskesymboler	
	Maskinvask i varmt vand (60° C)
	Tåler blegning, men ikke med klor
	Dryptørring
	Undgå strygning
	Tåler ikke kemisk rens

SIKRING AF KOMPATIBILITET

Tabel 1

Kørestolstyper

J3-Carbon-ryggen er konstrueret til at være kompatibelt med de fleste kørestolsmodeller, dog med følgende undtagelser:

Kørestole med vinkeljustering, tilbagelænings- eller hældningsfunktion, som kan give en ryglænsvinkel på mere end 60 grader fra lodret position bør ikke anvendes med dette ryglæn.

 **ADVARSEL!**

Montering på disse kørestolstyper medfører risiko for, at ryggen pludselig glider fri af kørestolen, så brugeren kan falde ud og dermed pådrage sig alvorlige kvæstelser.

Kørestolens dimensioner

J3 J3-Carbon-ryggen er beregnet til at erstatte kørestolens ryglænsbolstring. Inden montering skal det fastslås, om kørestolen har compatible ryglænsrør. Dette gøres ved at måle bredden mellem ryglænets rør som vist på figur 1. Brug derefter dette mål, og tjek tabel 1, (Fast montering) eller Tabel 2, (Quick release), til at afgøre om ryglænet passer til din stol.

Derefter skal du kontrollere, om ryglænsrørene har den rette diameter.

J3 Carbon ryggens hardware kan monteres på kørestolens ryglænsrør, som måler i diameter 19mm (med indsats), 22mm (med indsats) eller 25mm (uden indsats).

Hvis du ikke kan afgøre, om ryglænsrørene er compatible, bedes du kontakte din autoriserede Sunrise Medical-leverandør eller Sunrise Medicals kundeservice.

J3 CARBON RYGGENS BREDEDE Fastmonteret	Afstandsstykke	Bredden af ryggens rygrør fra rørenes yderside til yderside (Fig. 1-A)	
		Minimumsbredde	Maksimumsbredde
32 cm	NEJ	29 cm	33 cm
	JA	31 cm	35 cm
36 cm	NEJ	34 cm	38 cm
	JA	36 cm	40 cm
41 cm	NEJ	39 cm	43 cm
	JA	41 cm	45 cm
46 cm	NEJ	44 cm	48 cm

Tabel 2

J3 CARBON RYGGENS BREDEDE Lynudløser	Bredden af ryggens rygrør fra rørenes yderside til yderside (Fig. 1-A)	
	Minimumsbredde	Maksimumsbredde
32 cm	31 cm	36 cm
36 cm	36 cm	41 cm
41 cm	41 cm	46 cm
46 cm	46 cm	51 cm

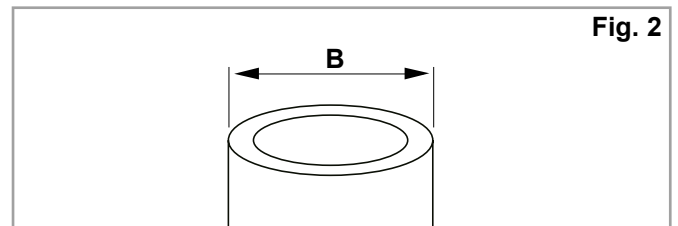


Fig. 2

Tabel 3

J3 Carbon ryggens bredde	Ryglænsrørets diameter (Fig. 2)			
	Minimumsbredde		Maksimumsbredde	
	Tommer	cm	Tommer	cm
12,6-18" (32-46 cm)	3/4	1,9	1,0	2,2

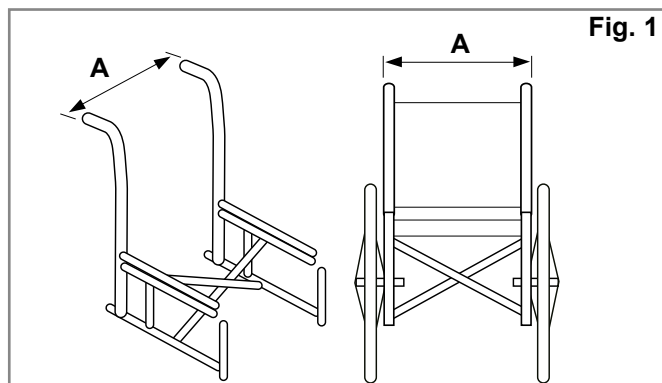


Fig. 1

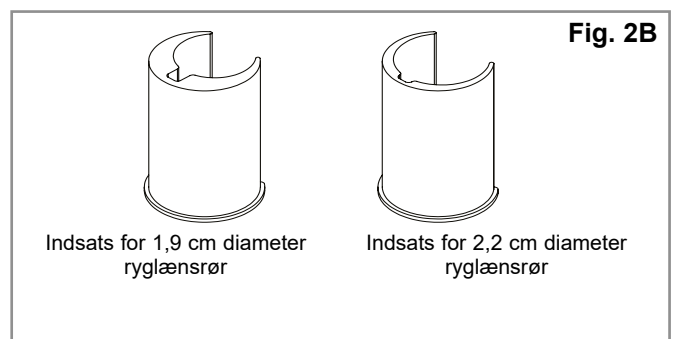


Fig. 2B

MONTERING AF RYGLÆNSBESLAG

Inden monteringen bedes du læse alle anvisningerne i dette afsnit.

Selve monteringen af J3 Carbon ryggen skal helst foretages på en tom kørestol. Så snart ryggen er monteret og de nødvendige justeringer udført, kan brugeren sætte sig i kørestolen igen.

Kræver følgende værktøj (følger med J3 Carbon ryggen)*

- 4 mm unbrakonøgle, (kun påkrævet for QR-stilen)
- 10 mm svensknøgle.

BEMÆRK:Når der angives bestemte tilspændingsmomenter, anbefales det på det kraftigste, at man anvender en momentmåler (følger ikke med J3-ryglænet) for at sikre, at man opnår det rette moment.

Installationsinstruktioner for det faste monteringsystem, (Fig. 3, 4, 5).

1. Afmonter kørestolens oprindelige ryglæn i henhold til fabrikantens vejledning.

BEMÆRK:Hvis din kørestols bredde er 34cm, 40cm eller 44cm, skal du installere de afstandsstykker der følger med ryglænet: Se instruktionerne nedenfor:

2. Brug den medfølgende 10mm boksende skruenøgle og løsgør, men fjern ikke, møtrikkerne (C) og skruerne (B).
3. Brug den 10mm boksende skruenøgle og løsgør og fjern skruen (A). Åbn hængslen for at kunne placere ryglænets rør omkring kørestolen.
4. Placer monteringshardwaren i den ønskede højde på kørestolens ryglænsrør og luk derefter hængslen og stram hængslets skrue (A). Monteringshardwarens højde skal være omtrent den samme højde på hver ryglæn Stolpe. Højere placeringer er generelt bedre.

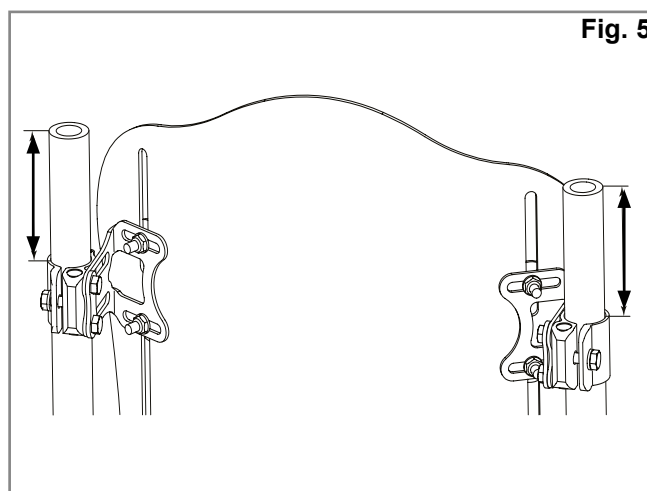
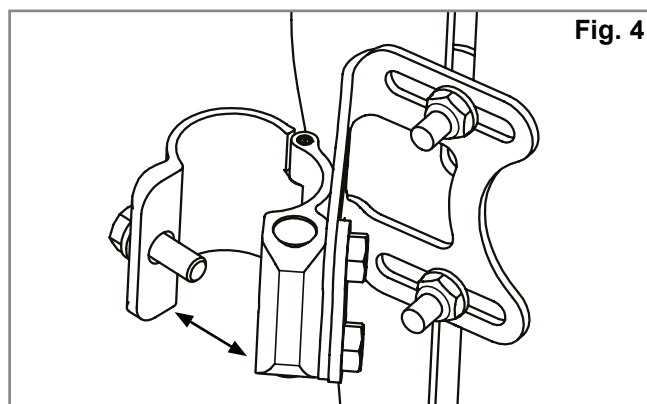
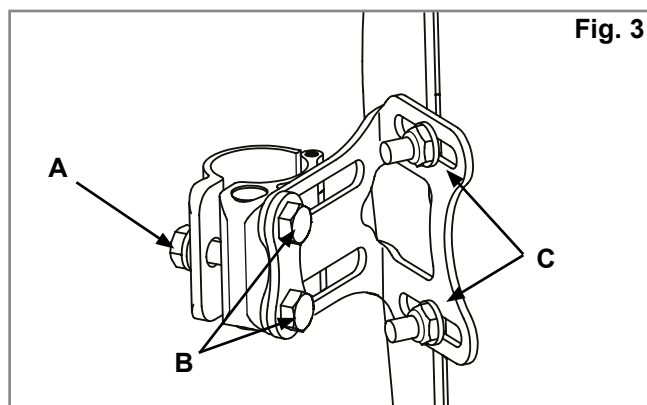
BEMÆRK: for ryglænets rørdiameterer der er mindre end 25mm skal der anvendes et afstandsstykke af en passende størrelse.

5. Juster ryglænet i den ønskede position, dybde, hældning og højde og stram derefter skruerne (B) og møtrikkerne (C).

Stram alle møtrikker og skruer:

Anbefalede momentspecifikationer:

- Skruer (A) & (B): 11,3 - 12,4 Nm.
- Møtrikker (C): 8,5 – 9,3 Nm



INSTALLATIONSINSTRUKTIONER FOR AFSTANDSSÆT:

(Fig. 6, 7).

BEMÆRK: kun påkrævet for 34cm, 40cm & 44cm bredder.

1. Fjern de to (2) skruer (B) der holder monteringsbeslaget til ryglænsrørets fastspændingssamling, (Fig. 6).

BEMÆRK: når du fjerner disse skruer, bliver cylindermøtrikkerne løse. Vær klar til at fange dem, så de ikke falder på gulvet.

2. Placer afstandsstykket (D) mellem beslaget og fastspændingssamlingen.
3. Udsift cylindermøtrikkerne, om nødvendigt, og stil hullerne på linje så de matcher med skruerne. Fastgør ved hjælp af de længere (M6 x 25) skruer der følger med sættet.

INSTALLATIONSINSTRUKTIONER FOR HURTIGUDLØSERMONTERINGSSYSTEMET

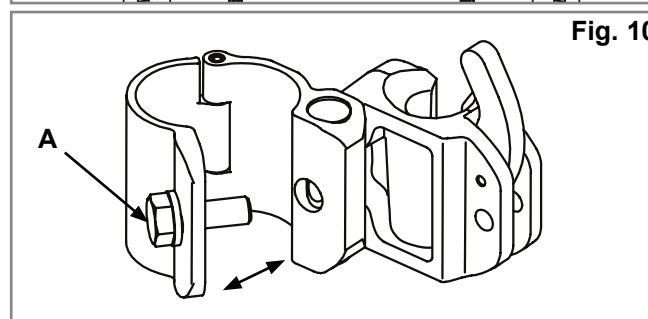
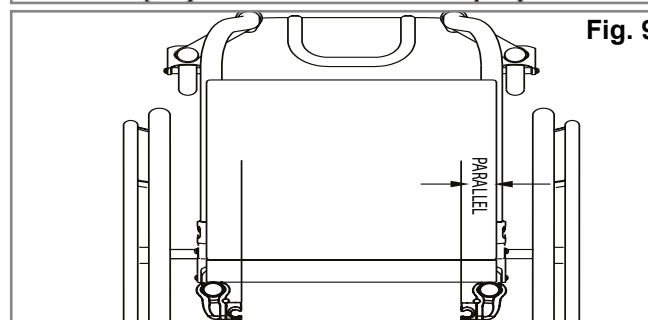
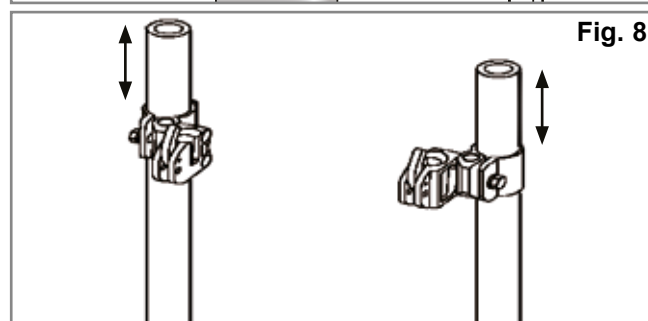
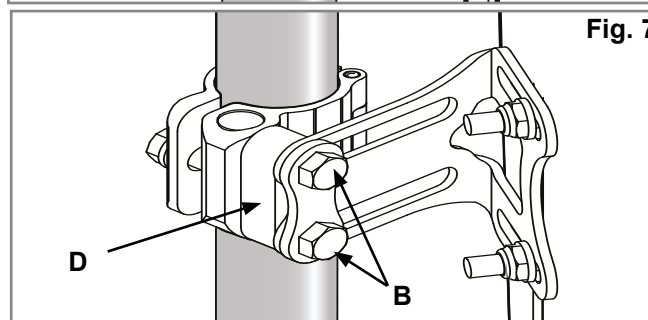
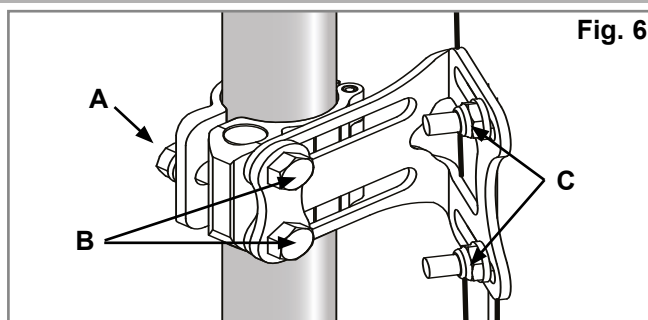
(Fig. 8, 9, 10,).

1. Afmonter kørestolens oprindelige ryglæn i henhold til fabrikantens vejledning.
2. Se efter på kørestolens ryglænsrør for at fastslå, hvor beslagene bør placeres. Monterings hardwaren bør omtrentligt have den samme højde på hver ryg rør (Fig. 8) og parallelt til sæderammen (Fig. 9). Generelt gælder det, at højere placeringer på ryglænsrørene fungerer bedst.
3. Sæt beslagene på. (Fig. 10)
Brug en 10mm boksende skruenøgle til at løsne og fjerne skrue (A), Åbn hængslen for at placere den omkring kørestolens ryglænsrør.

BEMÆRK: for ryglænsrør der er mindre end 25mm, brug et afstandsstykke med en passende størrelse.

- Fastgør og indstil beslagene på kørestolens ryglænsrør.
- Spænd spændeskruerne (A) med hånden.

BEMÆRK: Beslagene kræver muligvis yderligere sidejustering for at sikre, at de sidder korrekt i forhold til hinanden.



FASTGØRING OG JUSTERING AF RYGGENS SKAL

(Fig. 11, 12, 13).

- Brug en 10 mm skruenøgle, og løsgør den uden at fjerne den
Monteringsstiftens skruer (B) og beslagets møtrikker (C).
- Fastgør J3 Carbon ryglænet til monteringshardwaren ved at sætte låsestifterne ind i låsene, (Fig. 12).
- Juster ryglænet til den ønskede position, (Fig.13), dybde, hældning og højde, og stram derefter med hånden skruer (B) og møtrikker (C).

BEMÆRK:Rygstøttens dybde og vinkel skal muligvis justeres yderligere for at sikre at den passer korrekt til klienten.

- Afprøv ryglænets udløsningsmekanisme ved at skubbe udløsergrebene fremad og tage ryglænet af kørestolen. (Yderligere oplysninger findes i afsnittet "Aftagning og genmontering"). Korrekt justering af monteringshardwaren og ryglænet opnås når jævn fastgørelse og udløsning nemt kan foretages.
- Hvis de ikke passer ordentligt i forhold til hinanden, skal komponenterne justeres, indtil de sidder korrekt.
- Når justeringen er korrekt, stram al hardwaren.

BEMÆRK:Alle møtrikker og skruer skal kun strammes når ryglænet er justeret korrekt:

Anbefalede momentspecifikationer:

Skruer (A) & (B): 11,3 - 12,4 Nm.

Møtrikker (C): 8,5 – 9,3 Nm

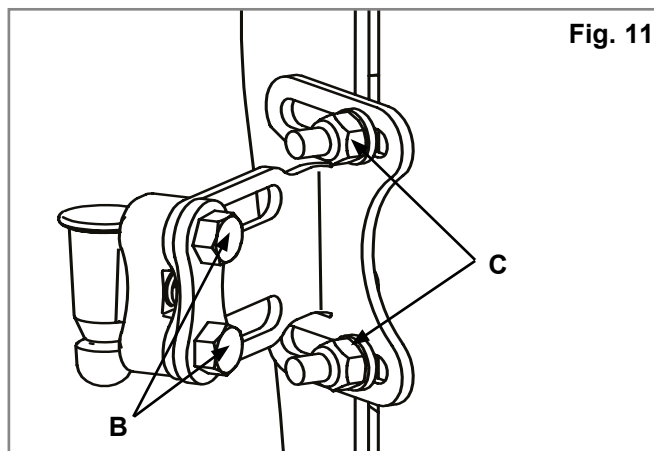


Fig. 11

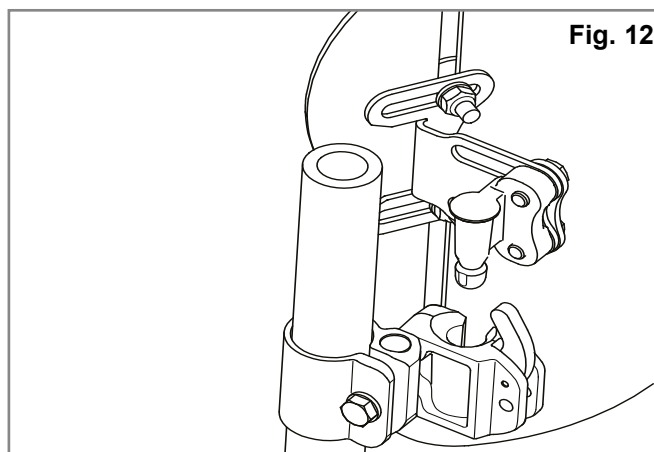


Fig. 12

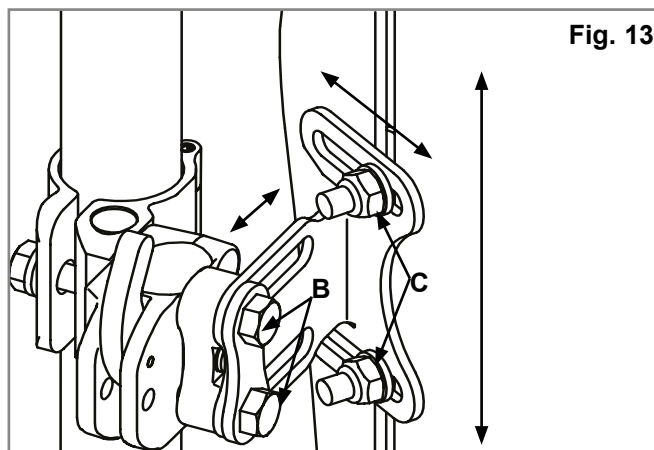


Fig. 13

JUSTERING AF J3-RYGLÆNETS HØJDE, DYBDE OG VINKEL

Første trin i monteringen af J3-Carbon-ryglænets beslag er nu gennemført.

Herefter er det en god idé at få brugeren til at sidde i kørestolen igen,

så J3-Carbon-ryglænet kan tilpasses individuelt. Brugeren må dog ikke lægge fuldt tryk på ryggen, da det endnu ikke er spændt helt til de krævede tilspændingsmomenter.

1. Højdejustering (Fig. 14).

- Mens brugeren sidder i kørestolen, skal ryggens ønskede højde fastslås. Når den er fastslået, skal man fjerne trykket på J3-Carbon-ryglænet ved, at brugeren læner sig forover eller glider delvist fremad, så justeringen kan finde sted.
- Skru bæremøtrikkerne (C) løs, og justér højden på ryggen skal til den ønskede position.
- Spænd bæremøtrikkerne (C) forsvarligt. Det anbefalede tilspændingsmoment er 8,5 – 9,3 Nm

BEMÆRK:Når højdejusteringen er udført, skal du kontrollere at, bredden ikke er ændret ved en fejltagelse.

2. Justering af dybde/vinkel (Fig. 11, 12, 13 & 14).

Bemærk at der findes to typer hardware, der kan bestilles– stationær hardware (Fig. 15) eller lynudløser Hardware (Fig. 16). Begge hardware sæt kan justeres på samme måde, men den stationære hardware giver mulighed for en dybdejustering på 4 cm (Fig. 15) mens lynudløser-hardwaren (den aftagelige hardware) har en samlet dybdejusteringevne på 2,9 cm (Fig. 16).

- For at justere J3 Carbon ryglænets dybde og vinkel, skal du løsne de venstre og højre skruer (B)-(Fig. 16) på beslagets åbninger.
- Justér dybden og/eller vinklen, og spænd møtrikkerne forsvarligt. Det anbefalede tilspændingsmoment er 11,3-12,4 Nm. Sørg for at ingen af dybdejusteringsskruerne (Fig. 16), (B), glider eller drejer.

BEMÆRK:Inden skruerne sættes i igen, anbefales det på det kraftigste, at man smører beslaget og skruernes gevind med en middelstærk låsevæske egnet til formålet, f.eks. Loctite 243, hvis ryglænet skal indstilles i en ny position.

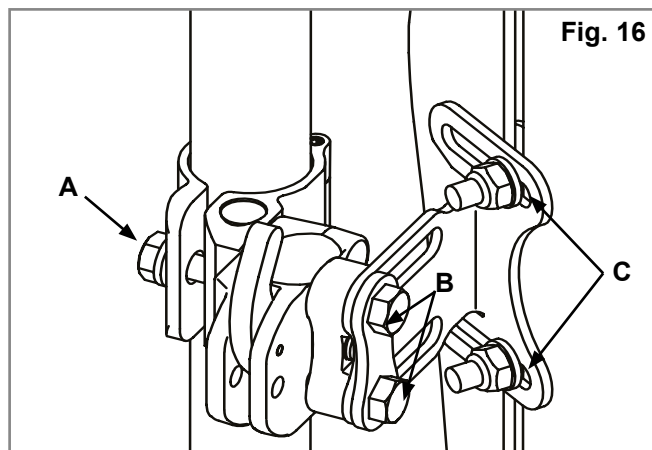
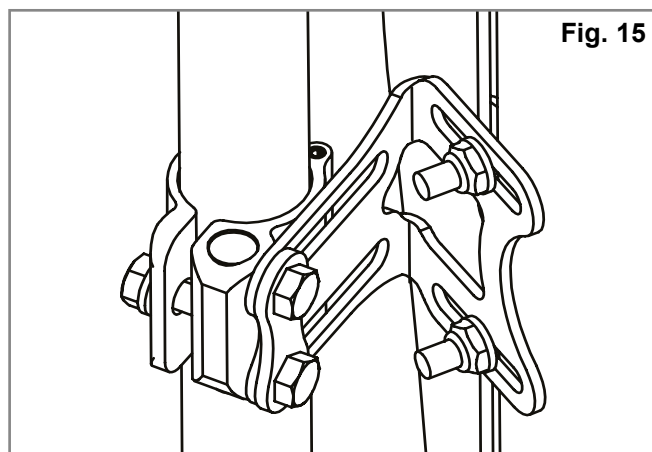
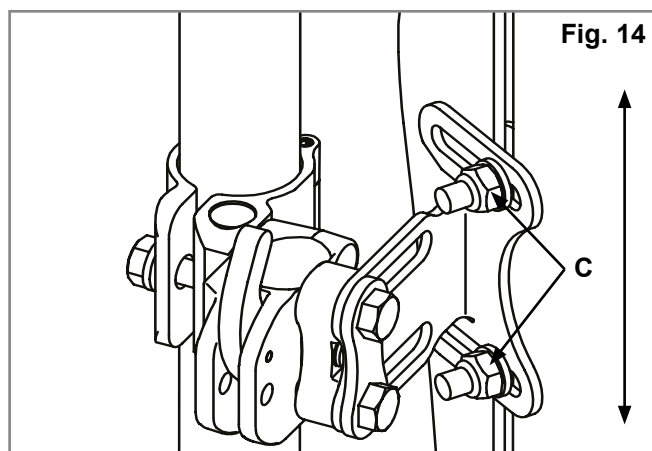
Anbefalede momentspecifikationer:

Skruer (A) & (B): 11,3 - 12,4 Nm.

Møtrikker (C): 8,5 – 9,3 Nm

ADVARSEL!

Når alle justeringerne er udført, skal du sikre dig, at alle beslag er spændt korrekt, hvorefter J3-Carbon-ryglænet er klar til brug.



AFTAGNING OG GENMONTERING

Aftagning – lynudløser hardware

Efter udført montering eller justering kan ryggen nemt tages af kørestolen, hvis det er nødvendigt. For at fjerne, skub hvert udløsergreb fremad for at åbne det, (Fig. 17). Når begge håndtag befinder sig i den fremadgående position, skal du simpelthen løfte dem lige op, (Fig. 18), ved hjælp af det håndtag der findes på toppen af ryglænet.

Korrekt genmontering efter aftagning

For at montere ryglænet på beslagene igen skal stifterne ganske enkelt bringes på linje med beslagene og skubbes på plads. Stifterne sidder korrekt, når de låses fast med et klik (Fig. 19-20).

ADVARSEL!

Hvis du ikke er sikker på, om du har hørt "klikket", skal du trække op i ryglænet ved hjælp af håndtaget for at sikre dig, at det er forsvarligt låst fast.

Aftagning – stationær hardware

Hvis dit J3 Carbon ryggen har en fast hardware, Følg trinene nedenfor for at fjerne det fra kørestolen:

1. Løsn og fjern hængelskruen(A) fra den venstre og højre klemme ved hjælp af en 10mm skruenøgle.
2. Åbn hængslen og fjern J3 Carbon ryglænet, (Fig. 21). Korrekt fastsætning efter aftagning. For at sætte ryglænet på igen, følg de installationsinstruktioner, der er beskrevet i denne vejledning (side 9).

Fig. 18

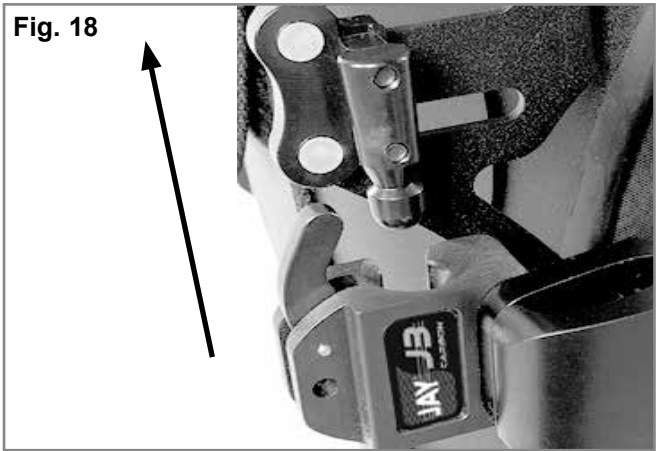


Fig. 19

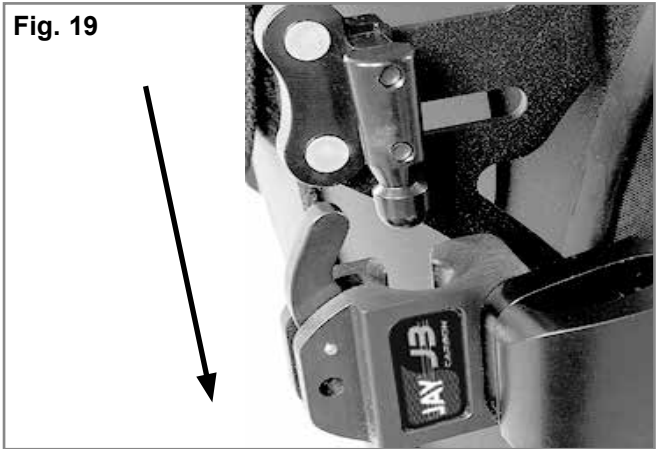


Fig. 20

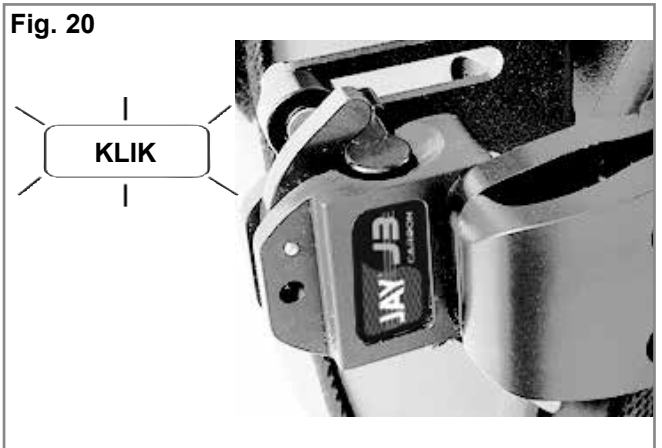
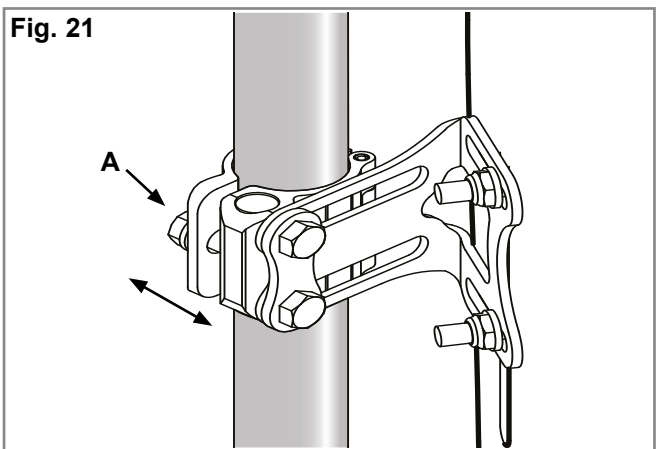


Fig. 17



Fig. 21



MONTERING AF DISKRETIIONSPOSEN

1. Løft den øverste klap på J3-Carbon-ryglænets betræk (Fig. 22)
2. Sæt burrebåndene sammen, og fastgør klappen på bagsiden af J3-Carbon-ryglænets betræk (Fig. 23). Placer betrækkets øverste klap sådan, at diskretionspose er puttet ind mellem den øverste og den nederste klap (Fig. 24).
3. Tag sædehynden af kørestolen, og put diskretionsposens endestykke ind mellem kørestolens faste sædebund og sædehynden (Fig. 25).
4. Diskretionsposen kan justeres efter ønske ved at trække endestykket længere ud eller skubbe det længere ind under sædehynden. Desuden kan diskretionsposens øverste del rykkes op eller ned bag på ryglænet, hvis det er nødvendigt.
5. Indsæt Krogens & Løkkens bindere gennem de passende skiver på diskretionsposen og svøb den rundt om kørestolens stel og sæt den ledende ende gennem poseåbningens ende (Fig. 26-27). Sæt dig godt på plads og luk de yderste spalter i diskretionsposen (Fig. 28).



Fig. 24



Fig. 25



Fig. 26



Fig. 22



Fig. 27



Fig. 23



Fig. 28

KONTRAINDIKATIONER**⚠ ADVARSEL!**

Dette ryglæn må ikke bruges eller ordineres for personer, som overstiger den angivne maksimale brugervægt.

RECIRKULERING / GENBRUG:**⚠ ADVARSEL!**

Risiko for ulykke.

Få altid en autoriseret Sunrise Medical-forhandler til at undersøge produktet for skade eller slidtage, inden det overføres til en anden bruger. Hvis der findes nogen beskadigelser, **MÅ DETTE PRODUKT IKKE BRUGES.**

Hvis disse advarsler ikke overholdes, kan de resultere i alvorlige ulykker.

Dette produkt egner sig til genbrug*:

Få en autoriseret Sunrise Medical-forhandler til at undersøge skallen, monteringshardwaren, skummet og betrækket for beskadigelser eller slidtage. Hvis der findes nogen beskadigelser, må det ikke genbruges.

Rengør og desinficer skallen, monteringshardwarens skum og betræk i overensstemmelse med den lokale regerings regulativer. Søg råd hos dit lokale kontor for infektionskontrol.

Efter rengøring og desinfektion, få en autoriseret Sunrise Medical-forhandler til at inspicere skallen, hardwaren, skummet og betrækket for at sikre at rengørings-/desinfektionsprocessen ikke har forårsaget nogen skader.

24 MÅNEDERS BEGRÆNSET GARANTI

Hvert eneste Jay Jay J3-Carbon-ryg efterses nøje og afprøves for at sikre, at det fungerer optimalt. Alle Jay Jay J3-Carbon-rygge omfattes af en garanti mod materiale- og fabrikationsfejl gældende i 24 måneder fra købsdato, forudsat at ryglænet anvendes på normal vis. Såfremt der opstår materiale eller fabrikationsfejl inden for 24 måneder fra den oprindelige købsdato, forpligter Sunrise

Medical sig til, efter eget skøn, at reparere eller erstatte varen uden beregning.

Denne garanti omfatter ikke punkteringer, flænger, brændemærker eller ryglænets aftagelige betræk. Erstatningskrav og reparationer skal ske hos den nærmeste autoriserede forhandler. Med undtagelse af udtrykkelige garantier fremsat i ovenstående er enhver anden garanti udelukket, herunder også stiltiende garantier for, at varen er salgbar samt formålssegnet.

Garantien gælder ikke ud over det heri beskrevne. Godtgørelse for brud på den udtrykkelige garanti er begrænset til reparation eller udskiftning af varen. Under ingen omstændigheder skal skadeserstatning som følge af garantibrud omfatte følgetab eller overstige anskaffelsesprisen på den uacceptable solgte vare.

Sunrise Medical suosittelee, että J3-Carbon-selkätuen käytön soveltuvuuden määrittäminen annetaan istuimen ja selkänöjan käyttöön perehtyneen lääkärin tai terapeutin tehtäväksi.

⚠VAROITUS!

Selkätuen saa asentaa ainoastaan:

- Sunrise Medicalin valtuuttama jälleenmyyjä.
- Pätevä lääkintähenkilö, joka on saanut Sunrise Medicalin tai valtuutetun jälleenmyyjän järjestämän asianmukaisen koulutuksen.

JAY 3 CARBON -SELKÄTUEN KÄYTTÖTARKOITUS

Jay 3-Carbon-selkätuki tukee hyvin selkää ja soveltuu monentyyppisille käyttäjille. Selkäosa on suunniteltu siten, että se tukee selkää helposti, mukavasti ja tehokkaasti ja maksimoi siten toiminnallisuuden ja pidentää istumisen sietokykyä. Selkäosa on lisäksi kevyt, kestävä ja helppokäyttöinen.

Selkätuki voidaan asentaa monenlaisiin pyörätuoleihin.

Enimmäiskantavuus: 125 kg.

Selkänöjan suunniteltu käyttöikä on kaksi vuotta.

⚠VAROITUS!

Selkätuen asentaminen pyörätuoliin voi vaikuttaa pyörätuolin painopisteeseen ja pyörätuoli voi kaatua taaksepäin aiheuttaen mahdollisesti henkilövahinkoja. Arvioi aina onko pyörätuolin tasapainon takaamiseksi tarvetta käyttää kaatumasteitä tai amputointipotilaiden akselisovittimia.

⚠VAROITUS!

Älä työnnä tai nosta pyörätuolia J3-Carbon-selkätuesta. Selkätuki voi irrota äkillisesti pyörätuolista väärän käyttötavan seurauksena.

⚠VAROITUS!

Älä nosta pyörätuolia J3-Carbon-selkätuen kädensijasta. Se on tarkoitettu ainoastaan selkänöjan irrottamiseen.

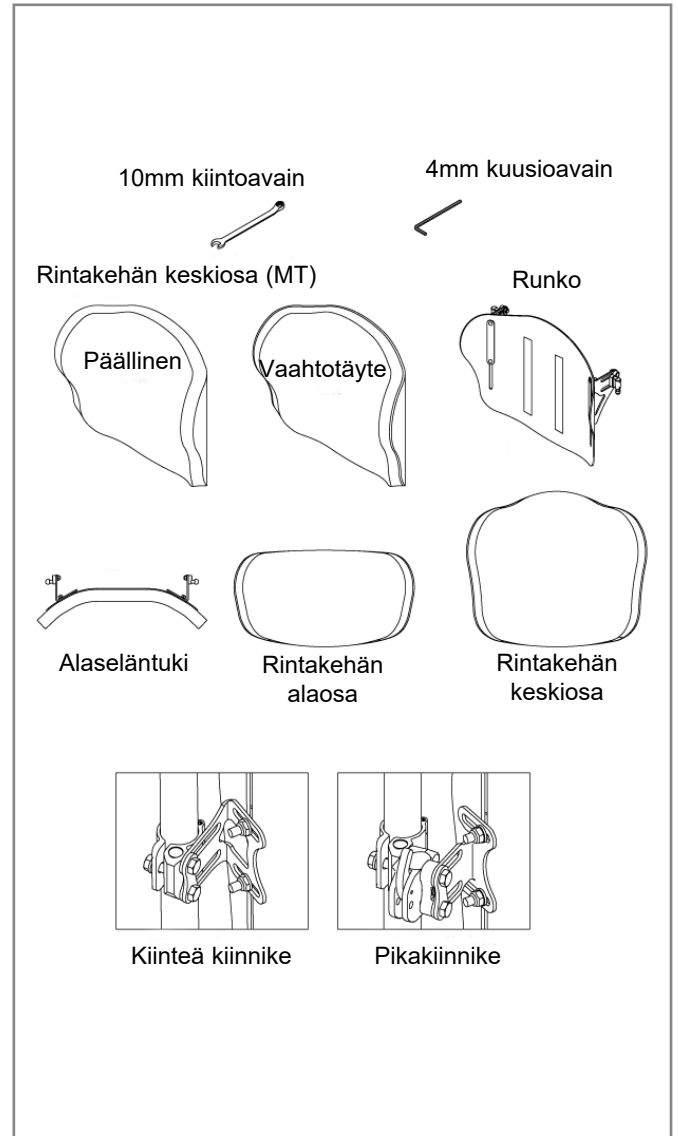
⚠VAROITUS!

Huolimattomuus voi aiheuttaa tulipalon

⚠VAROITUS!

Lue käyttöohjeet ennen käyttöä.

J3 CARBON -SELKÄTUKI



HUOLTO

Sunrise suosittelee, että kaikki kiinnikkeet on tarkastettava kulumisen, löystyneiden ja rikkoutuneiden osien (esim. pultit) varalta kuuden kuukauden välein. Löystyneet kiinnikkeet on kiristettävä asennusohjeiden mukaisesti. Kaikki kiinnikkeet on kiristettävä laitteen asennusohjeissa ilmoitettuihin väntömomentteihin. Tilaa rikkiäisten osien tilalle heti uudet osat Sunrise Medicalin valtuuttamalta jälleenmyyjältä. Älä jatka tuotteen käyttöä, jos havaitset löystyneitä tai rikkiäisiä osia.

HELPPO PUHDISTAA

HUOMAUTUS: Kun irrotat selkätuen puhdistusta varten, merkitse Velcro®-tarranauhalla kiinnitettävien selkärangan tukiosien asento muistiin oikeaa asennusta varten.

Päällisen puhdistaminen

Irrota päällisen tarranauhakiinnitys. Irrota päällinen selkätuen rungosta. Etsi päällisen alaosassa sijaitseva vetoketju ja avaa se. Poista vaahtomuovi ja käännä päällinen nurinpäin. Vedä päällisen vetoketju kiinni ettei se tartu kiinni pesurumpuun. Konepese lämpimässä vedessä (60° C) Valuta kuivaksi tai kuivaa alhaisella lämmöllä pyykinkuivaajassa.

HUOMAUTUS: Älä kuivapese istuimen päällistä äläkä pese sitä teollisuuspesukoneessa tai kuivata teollisuuskuivaajassa. Älä höyrypese painehöyryllä. Älä valkaise.

Aseta vaahtomuovi takaisin päällisen sisälle. Huomaa, että alustassa on kaksi vaahtomuovikerrosta. Varmista vaahtomuovia takaisin asettaessasi, että ohuempi vaaleanharmaa vaahtomuovi tulee selkänojan runkoa vasten. Varmista, että vaahtomuovi on asetettu oikein paikalleen ja vedä sitten vetoketju kiinni.

Selkätuen rungon puhdistaminen

Runko voidaan pyyhkiä puhtaaksi saippuavedellä. Muuta huoltoa ei tarvita.

Kiinnikkeiden puhdistaminen

Kiinnikkeet voidaan pyyhkiä puhtaaksi saippuavedellä. Älä upota kiinnikkeitä veteen.

Jos sinulla on kysyttävää puhdistuksesta, ota yhteyttä Sunrise Medicalin valtuutettuun jälleenmyyjään.

Pesumerkit	
	Konepese lämpimässä vedessä (60° C)
	Käytä tarvittaessa ainoastaan klooraamatonta valkaisuainetta
	Kuivaa valuttamalla
	Ei saa siliittää
	Ei saa kuivapestä

YHTEENSOPIVUUDEN MÄÄRITTÄMINEN

Taulukko 1

Pyörätuolityypit

J3-Carbon-selkätuki on tarkoitettu yhteensopivaksi useimpien pyörätuolimallien

Pyörätuoleja, joissa istuimen kulmaa voidaan säätää pikasääteisesti ja joiden selkänojaa voidaan laskea tai kallistaa niin, että selkänojan kulma on yli 60 astetta pystysuunnasta asennosta, ei saa käyttää.

 **VAROITUS!**

Selkätuen käyttäminen tämäntyyppisten pyörätuolien kanssa voi aiheuttaa selkätuen irtoamisen vahingossa pyörätuolista ja johtaa kaatumiseen ja mahdollisesti vakavaan vammaan.

Pyörätuolin mitat

J3-Carbon-selkätukion tarkoitettu korvaamaan pyörätuolin oma kangaspäällyste. Määritä ennen asennusta ovatko käytössä olevan pyörätuolin selkäosan putket yhteensopivat mittaamalla oman selkäosan putkien välinen leveys, ks. kuva 1. Tarkista mittaustuloksen perusteella taulukosta 1 (kiinteä asennus) tai

taulukosta 2 (pikakiinnike) sopiiko selkäosa tuoliin.

Tarkista seuraavaksi, että selkäosan putket ovat läpimitaltaan sopivat.

J3 Carbon -selkätuen kiinnikkeet voidaan kiinnittää selkäosan putkiin, jotka ovat halkaisijaltaan 3/4" (19 mm) (väliskappaleella), 7/8" (22 mm) (väliskappaleella) tai 1" (25 mm) (ilman väliskappaletta).

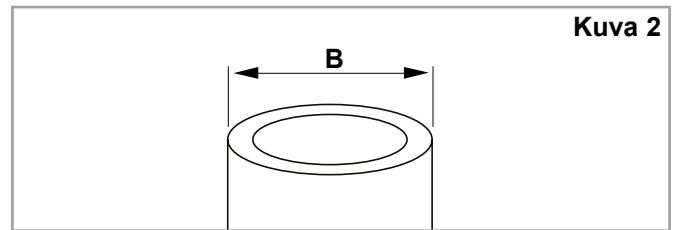
Jos et voi määrittää ovatko selkäosaputket yhteensopivia, ota yhteys Sunrise Medicalin valtuutettuun jälleenmyyjään tai Sunrise Medicalin asiakaspalveluun.

J3 CARBON -SELKÄTUEN LEVEYS Kiinteä kiinnike	Aluslevy	Selkäosan putkien leveys putkien ulkopinnasta ulkopintaan (kuva 1-A)	
		Vähimmäisleveys	Enimmäisleveys
32 cm	EI	29 cm	33 cm
	KYLLÄ	31 cm	35 cm
36 cm	EI	34 cm	38 cm
	KYLLÄ	36 cm	40 cm
41 cm	EI	39 cm	43 cm
	KYLLÄ	41 cm	45 cm
46 cm	EI	44 cm	48 cm

Taulukko 2

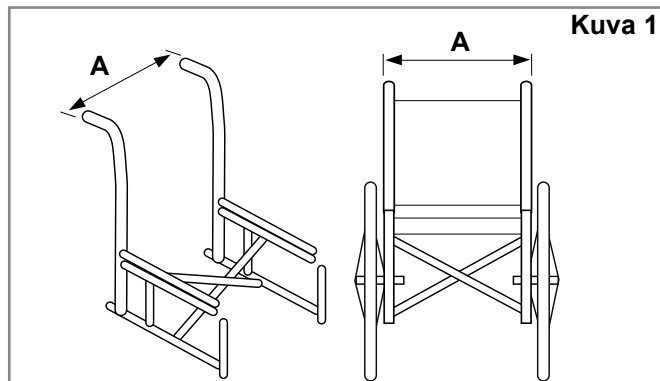
J3 CARBON -SELKÄTUEN LEVEYS Pikakiinnike	Selkäosan putkien leveys putkien ulkopinnasta ulkopintaan (kuva 1-A)	
	Vähimmäisleveys	Enimmäisleveys
32 cm	31 cm	36 cm
36 cm	36 cm	41 cm
41 cm	41 cm	46 cm
46 cm	46 cm	51 cm

Kuva 2



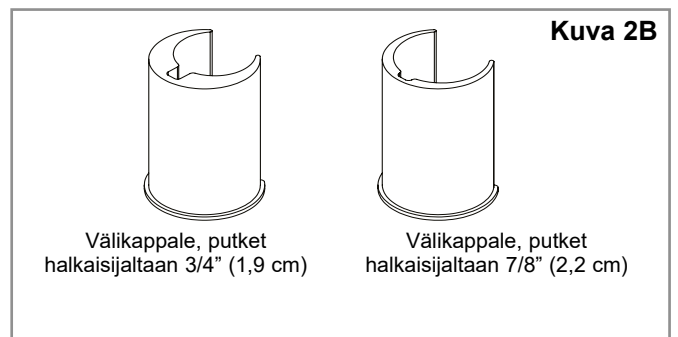
Taulukko 3

J3 Carbon -selkätuen leveys	Putken halkaisija (kuva 2)			
	Vähimmäisleveys Tuumaa		Enimmäisleveys Tuumaa	
12,6-18" (32-46 cm)	3/4	1,9	1,0	2,2



Kuva 1

Kuva 2B



KIINNIKKEIDEN ASENNUS

Lue seuraavat ohjeet ennen asennuksen aloittamista. J3-Carbon-selkäosan asentaminen on paras aloittaa niin, ettei käyttäjä istu pyörätuolissa. Kun selkäosa on asennettu ja tarvitaan pieniä säätöjä, käyttäjä voi taas istua pyörätuolissa.

Tarvittavat työkalut (kuuluvat J3-Carbon-selkäosan toimitukseen)*

- 4 mm kuusioavain (tarvitaan vain QR-mallissa)
- 10 mm kiintoavain.

HUOMAUTUS: Aina kun vääntömomentti on ilmoitettu, oikean momentin saavuttaminen tulisi tarkistaa momenttiavaimella (ei toimiteta J3-selkäosan kanssa).

Kiinteän kiinnitysjärjestelmän asennusohjeet (kuvat 3, 4, 5).

1. Poista pyörätuolin nykyinen selkäosa pyörätuolin valmistajan ohjeiden mukaisesti.

HUOMAUTUS: Jos pyörätuolisi leveys on 34 cm, 40 cm tai 44 cm, sinun on asennettava selkätuen mukana toimitetut aluslevyt: Katso alla olevat ohjeet:

2. Käytä mukana toimitettua 10 mm kiintoavainta ja löysää (mutta älä irrota) mutterit (C) ja pultit (B).
3. Löysää ja irrota pultti (A) 10 mm kiintoavaimella ja avaa sarana, jotta kiinnike voidaan sijoittaa selkätuen putkeen.
4. Sijoita kiinnike halutulle korkeudelle selkätuen putkeen, sulje sarana ja kiristä saranan pultti (A). Kiinnikkeiden tulisi olla suurin piirtein yhtä korkealla selkäosan putkissa. Korkeampi sijainti on yleensä parempi.

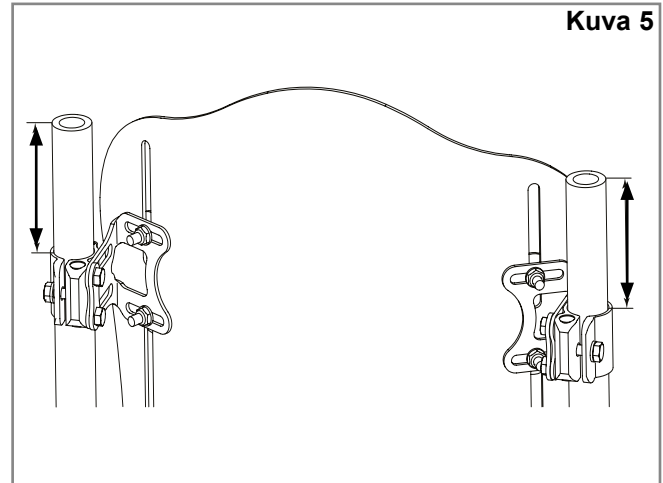
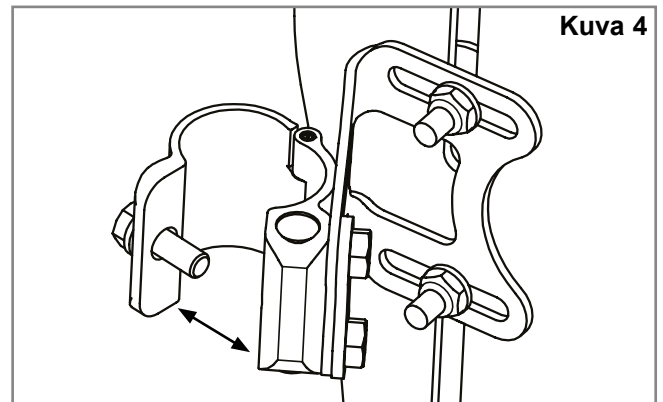
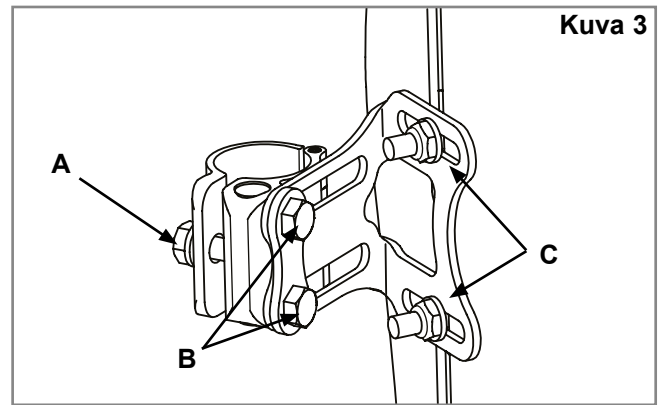
HUOMAUTUS: jos selkätuen putken halkaisija on alle 25 mm, käytä sopivaa aluslevyä.

5. Säädä selkätuen asento, syvyys, kallistus ja korkeus sopivaksi ja kiristä sitten pultit (B) ja mutterit (C).

Kiristä kaikki pultit ja mutterit:

Suosittelavat vääntömomentit:

- Pultit (A) ja (B): 11,3 – 12,4 Nm
- Mutterit (C): 8,5 – 9,3 Nm



ALUSLEVYJEN ASENNUSOHJEET:

(Kuva 6, 7).

HUOMAUTUS: tarvitaan vain leveyksiin 34 cm, 40 cm ja 44 cm.

1. Irrota kaksi (2) pulttia (B) joilla asennuskiinnike on kiinnitetty selkäosan putken pidikkeeseen (kuva 6).

HUOMAUTUS: holkkimutterit löystyvät näiden pulttien irrottamisen jälkeen. Varaudu ottamaan ne kiinni etteivät ne putoa lattialle.

2. Laita aluslevy (D) asennuskiinnikkeen ja pidikkeen väliin.
3. Asenna holkkimutterit tarvittaessa takaisin paikoilleen ja kohdista reiät pulttien kanssa. Kiinnitä käyttäen paketissa olevia pidempiä pultteja (M6 x 25).

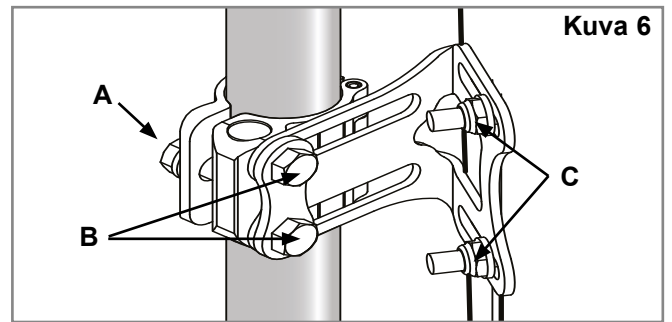
PIKAKIINNITYSJÄRJESTELMÄN ASENNUSOHJEET

(Kuva 8, 9, 10,).

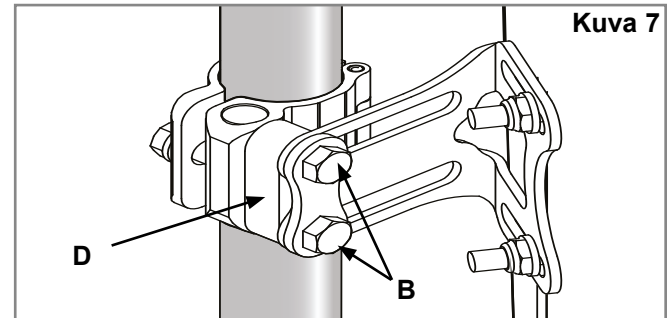
1. Poista pyörätuolin nykyinen selkäosa pyörätuolin valmistajan ohjeiden mukaisesti.
2. Määritä silmämääräisesti pyörätuolin selkäosan putkien pidikkeiden haluttu sijainti. Kiinnikkeiden tulisi olla suurin piirtein yhtä korkealla selkäosan putkissa (Kuva 8) ja samansuuntaiset istuimen rungon kanssa (Kuva 9). korkeampi sijainti selkäosan putkissa on yleensä parempi.
3. kiinnitä kiinnikkeiden pidikkeet. (Kuva 10)
Löysää ja irrota pultti (A) 10 mm kiintoavaimella ja avaa sarana, jotta kiinnike voidaan sijoittaa selkätuen putkeen.

HUOMAUTUS: jos selkätuen putken halkaisija on alle 25 mm, käytä sopivaa aluslevyä.

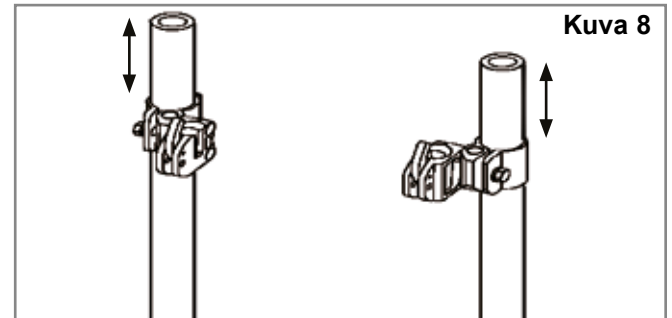
- Kiinnitä ja suuntaa pidikkeet pyörätuolin selkäosan putkiin.
- Kiristä kiinnitysruuvit käsin (A).

HUOMAUTUS: Pidikkeet voivat vaatia ylimääräistä sivuttaissäättöä oikean suuntauksen varmistamiseksi.

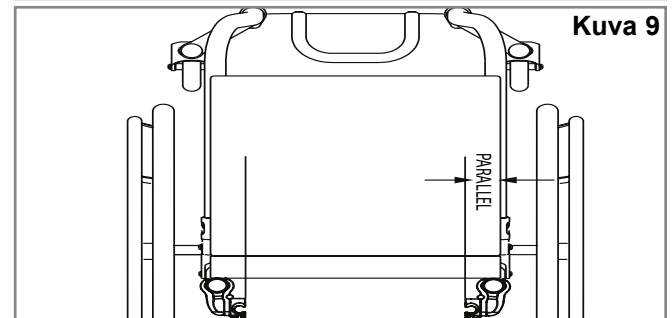
Kuva 6



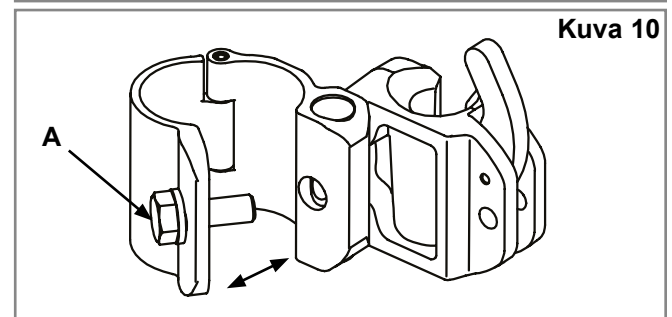
Kuva 7



Kuva 8



Kuva 9



Kuva 10

SELKÄOSAN RUNGON KIINNITTÄMINEN JA KOHDISTAMINEN

(Kuva 11, 12, 13).

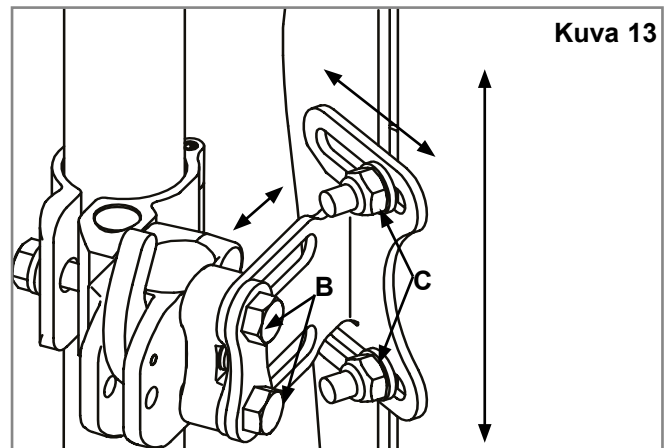
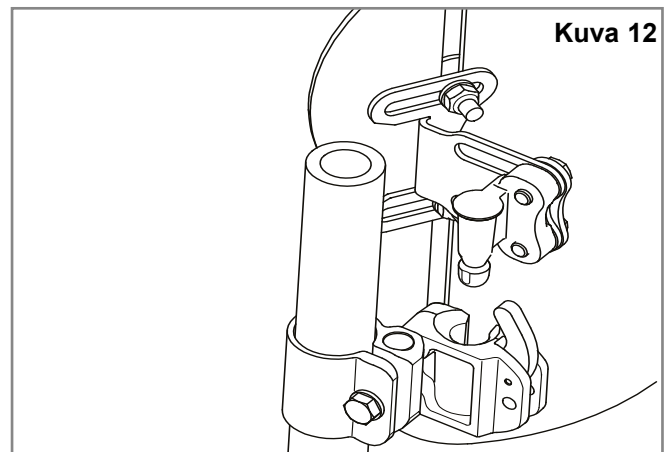
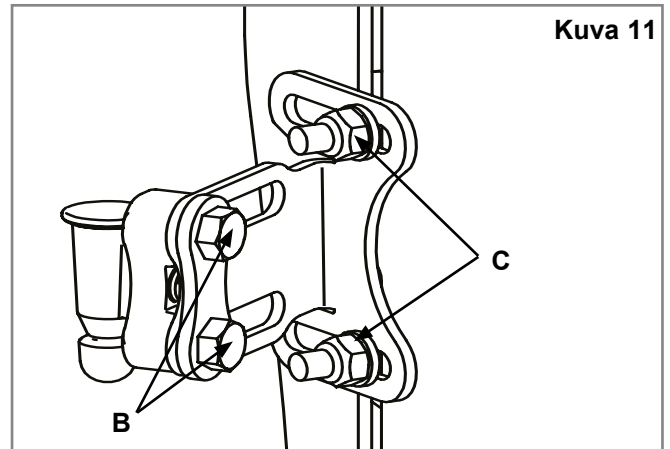
- Ota 10 mm kiintoavain ja löysää (älä irrota) kiinnityssokan pultit (B) ja kiinnikkeen mutterit (C).
- Kiinnitä J3 Carbon -selkätuki kiinnikkeeseen työntämällä sokat pidikkeisiin (kuva 12).
- Säädä selkätuen asento (kuva 13), syvyys, kallistus ja korkeus sopivaksi ja kiristä käsin pultit (B) ja mutterit (C).

HUOMAUTUS: Selkäosan syvyys ja kulma voivat vaatia lisäsäätöjä, jotta ne saadaan käyttäjälle sopivaksi.

- Testaa selkäosan vapautus painamalla vapautusvipuja eteenpäin ja irrottamalla selkäosa tuolista. (Katso lisätietoja Irrotus ja vaihtaminen -osasta.) Kiinnikkeet on kohdistettu selkätukeen oikein, kun selkätuki on helppo kiinnittää paikalleen ja irrottaa uudelleen.
- Jos suuntaus ei ole oikea, säädä osia, kunnes ne on suunnattu oikein.
- Kiristä kaikki kiinnikkeet, kun oikea kohdistus on saavutettu.

HUOMAUTUS: Kiristä kaikki pultit ja mutterit vasta sitten, kun selkätuki on kohdistettu oikein:

Suosittelavat vääntömomentit:
Pultit (A) ja (B): 11,3 – 12,4 Nm
Mutterit (C): 8,5 – 9,3 Nm



J3-SELKÄOSAN KORKEUDEN, SYVYYDEN JA KULMAN SÄÄTÖ

J3-Carbon-selkäosan kiinnikkeiden asennuksen ensimmäinen vaihe on valmis.

Nyt käyttäjä voi istuutua takaisin tuoliin

J3-Carbon-selkäosan henkilökohtaista säätöä varten.

Älä anna käyttäjän nojata selkäosaan täydellä painolla, sillä sitä ei ole vielä kiristetty täysien vääntömomenttivaatimusten mukaisesti.

1. Korkeudensäätö (Kuva 14).

- Määritä selkäosan haluttu korkeus käyttäjän istuessa tuolissa. Kun korkeus on määritetty, pyydä käyttäjää olemaan nojaamatta J3-Carbon-selkäosaan nojaamalla tai liukumalla osittain eteenpäin, jotta säätö voidaan tehdä.
- Löysää kannattimien mutterit (C) ja säädä selkäosan rungon korkeus haluttuun kohtaan.
- Kiristä kannattimien mutterit tiukasti (C). Suositeltu vääntömomenttiarvo on 8,5 – 9,3 Nm

HUOMAUTUS:Kun korkeuden säätö on valmis, tarkista ettei leveys ole vahingossa muuttunut.

2. Syvyyden/kulman säätö (kuvat 11, 12, 13 ja 14).

Huomaa, että tilattavia kiinnikkeitä on kahta tyyppiä: kiinteä kiinnike (kuva 15) ja pikakiinnike (kuva 16). Kummatkin kiinniketyypit säädetään samalla tavalla, mutta kiinteä kiinnike mahdollistaa 4 cm säätövaran (kuva 15), kun taas pikakiinnike (irrotettava kiinnike) sallii 2,9 cm syvyyssäädön (kuva 16).

- J3 Carbon -selkäosan syvyyttä säädetään löysäämällä vasenta ja oikeaa mutteria (B)-(kuva 16-B) kannattimen aukoissa.
- Säädä syvyys ja/tai kulma ja kiristä tiukasti. Suositeltu vääntömomenttiarvo on 11,3 - 12,4 Nm. Varmista, ettei yksikään syvyydensäätöpultti (kuva 16), (B) luista tai pyöri.

HUOMAUTUS:Jos selkäosaa on tarkoitus siirtää tulevaisuudessa, suosittelimme vahvasti, että pidike ja ruuvien kierteet käsitellään keskivahvalla ruuvilukitteella (esim. Loctite 243:lla).

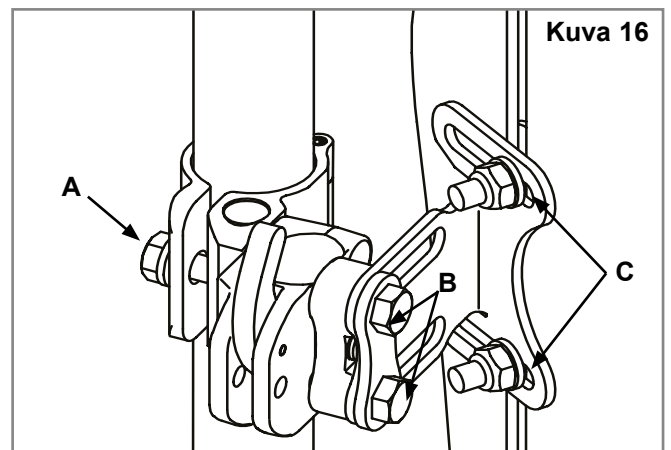
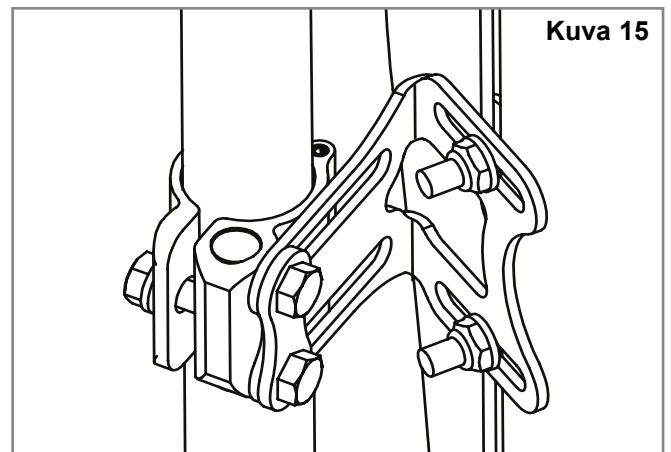
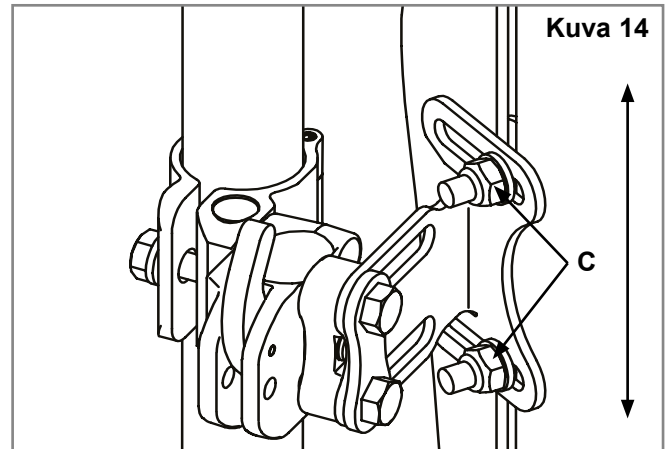
Suosittelavat vääntömomentit:

Pultit (A) ja (B): 11,3 – 12,4 Nm

Mutterit (C): 8,5 – 9,3 Nm

⚠VAROITUS!

Varmista kaikkien säätöjen jälkeen, että kaikki kiinnikkeet on kiristetty oikein ja että J3-Carbon-selkäosa on valmis käytettäväksi.



IRROTUS JA VAIHTAMINEN

Poisto – pikakiinnike

Kun selkätuki on asennettu ja säädetty paikalleen, se voidaan poistaa helposti pyörätuolista tarvittaessa. Irrottaminen tapahtuu työntämällä molemmat lukitusvivut eteenpäin lukituksen vapauttamiseksi, (Kuva 17). Kun molemmat vivut ovat etuasennossa, nosta selkäosaa suoraan ylöspäin (kuva 18) tarttuen kiinni selkäosan yläosassa olevasta kahvasta.

Oikea uudelleenkiinnittäminen selkätuen irrottamisen jälkeen

Kiinnittääksesi selkäosan uudelleen kiinnikkeen pitimiin, kohdista sokat pidikkeisiin ja paina paikalleen. Oikein asetettuina sokat naksahtavat lukitusasentoon (Fig. 19-20).

VAROITUS!

Jos et ole varma kuulitko lukituksen naksahdusääneen, vedä selkäosaa ylös kahvasta varmistaaksesi, että se on lukkiutunut tiukasti.

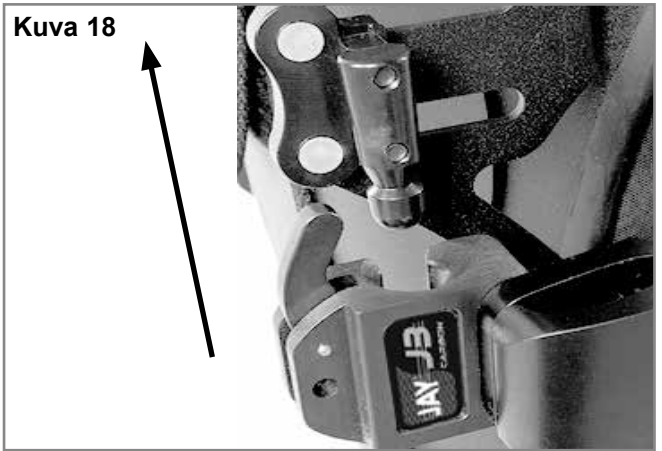
Poisto – kiinteä kiinnike

Jos J3 Carbon -selkätuki on varustettu kiinteällä kiinnikkeellä,

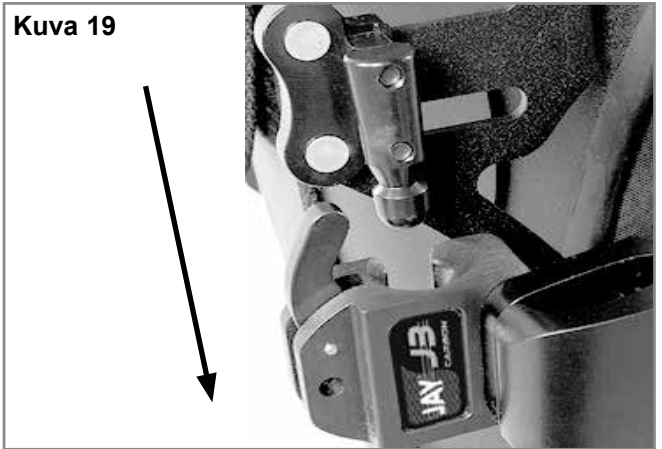
irrota se pyörätuolista seuraavia ohjeita noudattaen:

1. Löysää ja irrota saranan pultti (A) vasemmasta ja oikeasta kiinnikkeestä 10 mm kiintoavainta käyttäen.
2. Avaa sarana ja irrota J3 Carbon -selkätuki (kuva 21). Oikea uudelleenkiinnittäminen selkätuen irrottamisen jälkeen Kiinnitä selkätuki takaisin paikalleen noudattaen tässä käyttöoppaassa esitetyjä asennusohjeita(sivu 9).

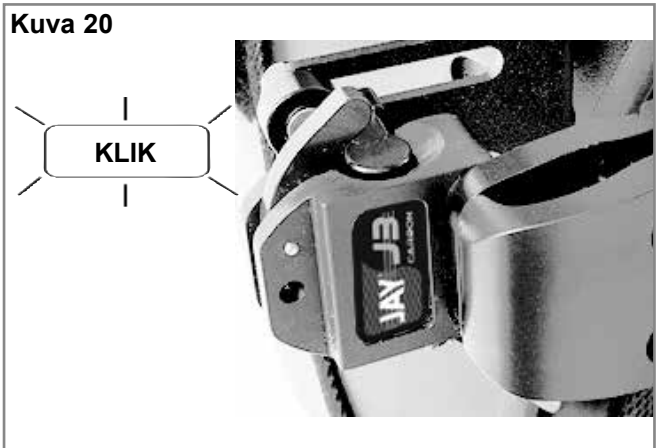
Kuva 18



Kuva 19



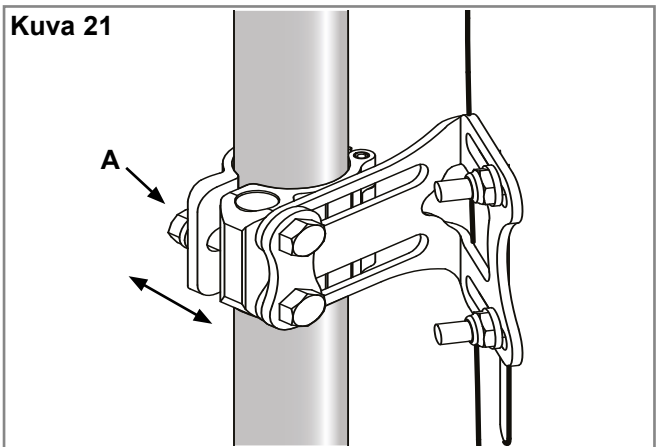
Kuva 20



Kuva 17



Kuva 21



NÄKÖSUOJAN ASENNUS

1. Nosta J3-Carbon-selkäosan suojuksen yläosa irti (kuva 22)
2. Kiinnitä näkösuoja kiinnityshihnalla J3-Carbon-selkäosan suojukseen (Kuva 23). Laske suojuksen yläosa takaisin paikalleen siten, että näkösuoja jaa suojuksen ylä- ja alaosan väliin (kuva 24).
3. Poista tuolin istuintyyny ja aseta näkösuojan toinen pää istuinrakenteen ja istuintyynyn väliin (kuva 25).
4. Säädä näkösuojaa tarpeen mukaan vetämällä istuintyynyn alla olevaa näkösuojan päätä. Voit myös tarvittaessa liikuttaa näkösuojan yläosaa selkäosaa ylös tai alas.
5. Syötä kiinnityshihnat näkösuojan läpivientien läpi, kiinnitä ne pyörätuolin runkoon ja kiristä hihnat (kuvat 26-27). Levitä näkösuoja tasaisesti peittäen mahdolliset reiät (kuva 28).



Kuva 24



Kuva 25



Kuva 26



Kuva 22



Kuva 27



Kuva 23



Kuva 28

KONTRAINDIKAATIOT**⚠VAROITUS!**

Älä käytä tai määrää tätä selkänöjää henkilölle, jonka paino ylittää suurimman sallitun käyttäjän maksimipainon.

KIERRÄTYS / UUELLEENKÄYTTÖ:**⚠VAROITUS!**

Loukkaantumisvaara.

Pyydä aina Sunrise Medicalin valtuuttamaa jälleenmyyjää tarkistamaan tuote kulumisen ja vaurioiden varalta ennen sen luovuttamista toiselle käyttäjälle. **ÄLÄ KÄYTÄ TÄTÄ TUOTETTA**, jos siinä on havaittu mitä tahansa vaurioita.

Tämän varoituksen noudattamatta jättäminen voi johtaa vakavaan loukkaantumiseen.

Tämä tuote soveltuu uudelleenkäytettäväksi*:

Pyydä Sunrise Medicalin valtuuttamaa jälleenmyyjää tarkistamaan runko, kiinnitykset, pehmusteet ja päälliset kulumisen ja vaurioiden varalta. Jos vaurioita havaitaan, älä luovuta tuotetta uudelleenkäyttöön.

Puhdista ja desinfioi runko, kiinnikkeet, pehmusteet ja päälliset paikallisten määräysten mukaisesti.

Pyydä tarkempia tietoja paikallisesta infektioiden torjuntatoimistosta.

Kun tuote on puhdistettu ja desinfioitu, pyydä Sunrise Medicalin valtuuttamaa jälleenmyyjää tarkistamaan runko, kiinnitykset, pehmusteet ja päälliset, jotta voidaan varmistaa, etteivät ne ole vahingoittuneet puhdistuksen/ desinfiointin yhteydessä.

24 KUUKAUDEN RAJOITETTU TAKUU

Jokainen Jay J3-Carbon-selkäosa tarkastetaan ja testataan huolellisesti parhaan mahdollisen suorituskyvyn takaamiseksi. Jokaiselle Jay J3-Carbon-selkäosalle myönnetään 24 kuukauden materiaali- ja valmistusvirhetakuu ostopäivästä lähtien olettaen, että tuotetta käytetään normaalisti. Jos tuotteessa esiintyy materiaali- tai valmistusvirhe 24 kuukauden sisällä alkuperäisestä ostopäivästä, Sunrise Medical korjaa tai vaihtaa viallisen tuotteen harkintansa mukaan maksutta.

Takuu ei kata puhkeamia, repeämiä, palojälkiä eikä selkäosan irrotettavaa päällistä.

Takuuhakemukset ja korjaukset tulee hoitaa lähimmän valtuutetun jälleenmyyjän kautta. Kaikki muut kuin tässä yhteydessä mainitut takuut mukaan lukien kaupattavuutta ja tiettyyn käyttötarkoitukseen soveltuvuutta koskevat implisiittiset takuut eivät ole voimassa. Tuotteita eivät koske mitkään muut kuin tässä mainitut takuut. Tässä esitettyjen takuehtojen rikkomisesta aiheutuvat korvaukset rajoittuvat tuotteiden korjaukseen tai vaihtamiseen. Takuehtojen rikkomisesta myönnettävät korvaukset eivät voi missään tapauksessa sisältää välillisten vahinkojen korvauksia eivätkä korvaukset voi ylittää viallisten tuotteiden ostohintaa.



Sunrise Medical S.r.l.
Via Riva, 20 – Montale
29122 Piacenza
Italia
Tel.: +39 0523 573111
Fax: +39 0523 570060
www.SunriseMedical.it

Sunrise Medical AG
Erlenauweg 17
CH-3110 Münsingen
Schweiz/Suisse/Svizzera
Fon +41 (0)31 958 3838
Fax +41 (0)31 958 3848
www.SunriseMedical.ch

Sunrise Medical AS
Delitoppen 3
1540 Vestby
Norge
Telefon: +47 66 96 38 00
post@sunrisemedical.no
www.SunriseMedical.no

Sunrise Medical AB
Neogatan 5
431 53 Mölndal
Sweden
Tel.: +46 (0)31 748 37 00
post@sunrisemedical.se
www.SunriseMedical.se

MEDICCO s.r.o.
H – Park, Heršpická 1013/11d,
639 00 Brno
Czech Republic
Tel.: (+420) 547 250 955
Fax: (+420) 547 250 956
www.medicco.cz
info@medicco.cz
Bezplatná linka 800 900 809

Sunrise Medical Aps
Mårkærvej 5-9
2630 Taastrup
Denmark
+45 70 22 43 49
info@sunrisemedical.dk
www.Sunrisemedical.dk

Sunrise Medical Australia
11 Daniel Street
Wetherill Park NSW 2164
Australia
Ph: +61 2 9678 6600
Email: enquiries@sunrisemedical.com.au
www.SunriseMedical.com.au

Sunrise Medical
North American Headquarters
2842 Business Park Avenue
Fresno, CA, 93727, USA
(800) 333-4000
(800) 300-7502
www.SunriseMedical.com

EC REP

Sunrise Medical GmbH
Kahlbachring 2-4
69254 Malsch/Heidelberg
Deutschland
Tel.: +49 (0) 7253/980-0
Fax: +49 (0) 7253/980-222
www.SunriseMedical.de

Sunrise Medical
Thorns Road
Brierley Hill
West Midlands
DY5 2LD
England
Phone: 0845 605 66 88
Fax: 0845 605 66 89
www.SunriseMedical.co.uk

Sunrise Medical S.L.
Polígono Bakiola, 41
48498 Arrankudiaga – Vizcaya
España
Tel.: +34 (0) 902142434
Fax: +34 (0) 946481575
www.SunriseMedical.es

Sunrise Medical Poland
Sp. z o.o.
ul. Elektronowa 6,
94-103 Łódź
Polska
Telefon: + 48 42 275 83 38
Fax: + 48 42 209 35 23
E-mail: pl@sunrisemedical.de
www.Sunrise-Medical.pl

Sunrise Medical B.V.
Groningenhaven 18-20
3433 PE NIEUWEGEIN
The Netherlands
T: +31 (0)30 – 60 82 100
F: +31 (0)30 – 60 55 880
E: info@sunrisemedical.nl
www.SunriseMedical.nl

Sunrise Medical HCM B.V.
Vossenbeemd 104
5705 CL Helmond
The Netherlands
T: +31 (0)492 593 888
E: customerservice@sunrisemedical.nl
www.SunriseMedical.nl
www.SunriseMedical.eu
(International)

Sunrise Medical S.A.S
ZAC de la Vrillonnerie
17 Rue Mickaël Faraday
37170 Chambray-Lès-Tours
Tel : + 33 (0) 247554400
Fax : +30 (0) 247554403
www.sunrisemedical.fr

