



Phone (800) 981-1540 | Fax (715) 254-0996
 sales@kimobility.com | www.kimobility.com

Company: _____

Ship To: _____

Account Number: _____ Date: _____

Address: _____

Quote PO Number: _____

City: _____ Postal Code: _____

RTS: _____

Phone: _____

Marked For: _____

Email/Fax: _____

Select if chair quote has: Additional Ki Products with Different Quote/Order Number **Quote/Order Number:** _____

Rogue XP £2600
Rogue Width Growable Frame. Price includes one time free growth kit. 200 lb weight capacity. Maximum Seat Width of 18".

Effective 08/02/2021

Frame

Seat Width / Seat Depth

Select box corresponding to desired Seat Width and Depth. See references A and B on page 8.

		Seat Width												
		10"	11"	12"	13"	14"	15"	16"	17"	18"				
Seat Depth	10"	Price	N/C	N/C	N/C	N/C	N/C	N/C	N/C	N/C	N/C	N/C	N/C	N/C
	11"	N/C	<input type="checkbox"/>	<input type="checkbox"/>	<input type="checkbox"/>	<input type="checkbox"/>	<input type="checkbox"/>	<input type="checkbox"/>	<input type="checkbox"/>	<input type="checkbox"/>	<input type="checkbox"/>	<input type="checkbox"/>	<input type="checkbox"/>	<input type="checkbox"/>
	12"	N/C	<input type="checkbox"/>	<input type="checkbox"/>	<input type="checkbox"/>	<input type="checkbox"/>	<input type="checkbox"/>	<input type="checkbox"/>	<input type="checkbox"/>	<input type="checkbox"/>	<input type="checkbox"/>	<input type="checkbox"/>	<input type="checkbox"/>	<input type="checkbox"/>
	13"	N/C	<input type="checkbox"/>	<input type="checkbox"/>	<input type="checkbox"/>	<input type="checkbox"/>	<input type="checkbox"/>	<input type="checkbox"/>	<input type="checkbox"/>	<input type="checkbox"/>	<input type="checkbox"/>	<input type="checkbox"/>	<input type="checkbox"/>	<input type="checkbox"/>
	14"	N/C	<input type="checkbox"/>	<input type="checkbox"/>	<input type="checkbox"/>	<input type="checkbox"/>	<input type="checkbox"/>	<input type="checkbox"/>	<input type="checkbox"/>	<input type="checkbox"/>	<input type="checkbox"/>	<input type="checkbox"/>	<input type="checkbox"/>	<input type="checkbox"/>
	15"	N/C	<input type="checkbox"/>	<input type="checkbox"/>	<input type="checkbox"/>	<input type="checkbox"/>	<input type="checkbox"/>	<input type="checkbox"/>	<input type="checkbox"/>	<input type="checkbox"/>	<input type="checkbox"/>	<input type="checkbox"/>	<input type="checkbox"/>	<input type="checkbox"/>
	16"	N/C	<input type="checkbox"/>	<input type="checkbox"/>	<input type="checkbox"/>	<input type="checkbox"/>	<input type="checkbox"/>	<input type="checkbox"/>	<input type="checkbox"/>	<input type="checkbox"/>	<input type="checkbox"/>	<input type="checkbox"/>	<input type="checkbox"/>	<input type="checkbox"/>
	17"	N/C	<input type="checkbox"/>	<input type="checkbox"/>	<input type="checkbox"/>	<input type="checkbox"/>	<input type="checkbox"/>	<input type="checkbox"/>	<input type="checkbox"/>	<input type="checkbox"/>	<input type="checkbox"/>	<input type="checkbox"/>	<input type="checkbox"/>	<input type="checkbox"/>
	18"	N/C	<input type="checkbox"/>	<input type="checkbox"/>	<input type="checkbox"/>	<input type="checkbox"/>	<input type="checkbox"/>	<input type="checkbox"/>	<input type="checkbox"/>	<input type="checkbox"/>	<input type="checkbox"/>	<input type="checkbox"/>	<input type="checkbox"/>	<input type="checkbox"/>
	19"	N/C	<input type="checkbox"/>	<input type="checkbox"/>	<input type="checkbox"/>	<input type="checkbox"/>	<input type="checkbox"/>	<input type="checkbox"/>	<input type="checkbox"/>	<input type="checkbox"/>	<input type="checkbox"/>	<input type="checkbox"/>	<input type="checkbox"/>	<input type="checkbox"/>
	20"	£250	<input type="checkbox"/>	<input type="checkbox"/>	<input type="checkbox"/>	<input type="checkbox"/>	<input type="checkbox"/>	<input type="checkbox"/>	<input type="checkbox"/>	<input type="checkbox"/>	<input type="checkbox"/>	<input type="checkbox"/>	<input type="checkbox"/>	<input type="checkbox"/>

Transit Option

Cannot be retrofitted

Transit System _____ N/C

Seat Option

- Standard Seat Sling _____ N/C
- Solid Seat Pan _____ £215
- Omit Seat _____ N/C

Sling Position

In Performance Position (0"), sling is at front of frame. The 1" or 2" sling position extends the frame in front of the sling by that amount. See reference C on page 8.

- 0" (Performance) _____ N/C
- 1" _____ N/C
- 2" (Classic) _____ N/C

Adjustable Depth

Adds the capability to grow seat in depth. Seat depth plus Adjustable Depth cannot exceed 20.5".

- No Rear Adjustment _____ N/C
- 1/2" _____ N/C
- 1" _____ N/C
- 2" _____ N/C
- 3" _____ N/C

Front Frame Bend

Angle between front seat tube and ground. See reference D on page 8.

- 90° _____ £120
- 85° _____ £120
- 80° _____ N/C
- 75° _____ £120
- 70° _____ £120

Backrest

Back Post / Height Range / Back Height

Select Back Height in row corresponding to desired Back Post and Height Range

Back Post	Height Range	Back Height				
Height Adjustable (Standard or 1" Inward Offset)	Ex. Short ¹	<input type="checkbox"/> 9	<input type="checkbox"/> 10	<input type="checkbox"/> 11	<input type="checkbox"/> 12	
	Short	<input type="checkbox"/> 11	<input type="checkbox"/> 12	<input type="checkbox"/> 13	<input type="checkbox"/> 14 ¹	
	Medium	<input type="checkbox"/> 13	<input type="checkbox"/> 14	<input type="checkbox"/> 15	<input type="checkbox"/> 16	
	Tall	<input type="checkbox"/> 15	<input type="checkbox"/> 16	<input type="checkbox"/> 17	<input type="checkbox"/> 18	
Fixed Height (Straight or 1" Inward Offset)		<input type="checkbox"/> 9 ¹	<input type="checkbox"/> 10 ¹	<input type="checkbox"/> 11 ¹	<input type="checkbox"/> 12	<input type="checkbox"/> 13
		<input type="checkbox"/> 14	<input type="checkbox"/> 15	<input type="checkbox"/> 16	<input type="checkbox"/> 17	<input type="checkbox"/> 18
Fixed Height 2" Offset		<input type="checkbox"/> 11 ¹	<input type="checkbox"/> 12 ¹	<input type="checkbox"/> 13 ¹	<input type="checkbox"/> 14 ¹	
		<input type="checkbox"/> 15	<input type="checkbox"/> 16	<input type="checkbox"/> 17		

¹ Not available with Fold Down Push Handle

Stroller Handle

Stroller Handles are removable and height adjustable

- Ergo Stroller Handle _____ £175
 - Single Stroller Handle _____ £135
 - Double Stroller Handle _____ £175
- Not available with Push Handles or 10" Seat Width*

Back Upholstery

Available only with Height Adjustable Back Posts. If selecting both upholstery and Axiom Back, the upholstery will be installed.

- Padded Velcro Adjustable
- Standard Cover _____ Std
 - Air Mesh Breathable Cover _____ N/C
- Not available on chair widths less than 12"*
- Tension Adjustable
- Standard Cover _____ N/C
 - Air Mesh Breathable Cover _____ £150
- Not available on chair widths less than 12"*
- Omit Back Upholstery _____ -N/C

Height Adjustable Back Post Option

Selection required with Height Adjustable Back Post. Each Offset Back Post is offset 1/2" creating 1" overall offset.

- Standard _____ N/C
- 1" Inward Offset _____ N/C

Fixed Height Back Post Option

Selection required with Fixed Height Back Post. Uses 1" tubes compatible with after-market backs. Not available with back upholstery. 2" Inward or Outward Offset Back Posts are offset 1" creating 2" overall offset. 1" Offset Back Post is offset 1/2" creating 1" overall offset.

- Straight _____ N/C
 - 1" Inward Offset _____ N/C
 - 2" Inward Offset _____ N/C
 - 2" Outward Offset _____ N/C
- Not available with Swing Away Armrests*

Push Handle

- Omit Push Handle _____ N/C
 - Standard Push Handle _____ N/C
 - Low Profile Push Handle _____ £108
- 2" shorter than standard push handles*
- Fold Down Push Handle _____ £130
- Not available on Height Adjustable Back Posts with 9"-11" Back Heights or Offset Back Posts with 11"-14" Back Heights*
- Bolt-On Push Handle _____ £140
- Handles will be 1" - 2" above back height*

Spinergy Backrest Release Cable Color

Select desired color. If no selection is made, black will be used.

- Black
- Red
- White
- Blue
- Yellow
- Orange
- Green
- Pink

Seat Back Angle

Standard is 90° (perpendicular to floor). Minus (-°) closes back angle. Plus (+°) opens back angle.

- Std
- +2°
- +4°
- +6°
- +8°
- +10°
- 2°
- 4°
- 6°
- 8°
- 10°

Front Seat Height and Casters

Caster Size / Footrest Taper / Front Seat Height

Select Front Seat Height in row corresponding to Footrest Taper and Caster Size. 6" casters not available with 85° and 90° Front Frame Bend. Footrest Taper indicates bend of front frame creating footrest width. Taper is measured from outside of seat frame to outside of front tube. Taper is not available with 70° Front Frame Bend. See reference E on page 8.

Front Seat Height is measured from floor to top of seat tube at front of seat sling. Adjustable up or down by 1/2". See reference F on page 8.

Footrest Taper	Caster Size	Front Seat Height														
Straight	3"	<input type="checkbox"/> 13.5	<input type="checkbox"/> 14	<input type="checkbox"/> 14.5	<input type="checkbox"/> 15	<input type="checkbox"/> 15.5	<input type="checkbox"/> 16	<input type="checkbox"/> 16.5	<input type="checkbox"/> 17	<input type="checkbox"/> 17.5	<input type="checkbox"/> 18	<input type="checkbox"/> 18.5	<input type="checkbox"/> 19	<input type="checkbox"/> 19.5	<input type="checkbox"/> 20	<input type="checkbox"/> 20.5
	4"	<input type="checkbox"/> 14	<input type="checkbox"/> 14.5	<input type="checkbox"/> 15	<input type="checkbox"/> 15.5	<input type="checkbox"/> 16	<input type="checkbox"/> 16.5	<input type="checkbox"/> 17	<input type="checkbox"/> 17.5	<input type="checkbox"/> 18	<input type="checkbox"/> 18.5	<input type="checkbox"/> 19	<input type="checkbox"/> 19.5	<input type="checkbox"/> 20	<input type="checkbox"/> 20.5	
	5"	<input type="checkbox"/> 14.5	<input type="checkbox"/> 15	<input type="checkbox"/> 15.5	<input type="checkbox"/> 16	<input type="checkbox"/> 16.5	<input type="checkbox"/> 17	<input type="checkbox"/> 17.5	<input type="checkbox"/> 18	<input type="checkbox"/> 18.5	<input type="checkbox"/> 19	<input type="checkbox"/> 19.5	<input type="checkbox"/> 20	<input type="checkbox"/> 20.5		
	6"	<input type="checkbox"/> 15	<input type="checkbox"/> 15.5	<input type="checkbox"/> 16	<input type="checkbox"/> 16.5	<input type="checkbox"/> 17	<input type="checkbox"/> 17.5	<input type="checkbox"/> 18	<input type="checkbox"/> 18.5	<input type="checkbox"/> 19	<input type="checkbox"/> 19.5	<input type="checkbox"/> 20	<input type="checkbox"/> 20.5			
1" Taper	3"	<input type="checkbox"/> 16.5	<input type="checkbox"/> 17	<input type="checkbox"/> 17.5	<input type="checkbox"/> 18	<input type="checkbox"/> 18.5	<input type="checkbox"/> 19	<input type="checkbox"/> 19.5	<input type="checkbox"/> 20	<input type="checkbox"/> 20.5						
	4"	<input type="checkbox"/> 17	<input type="checkbox"/> 17.5	<input type="checkbox"/> 18	<input type="checkbox"/> 18.5	<input type="checkbox"/> 19	<input type="checkbox"/> 19.5	<input type="checkbox"/> 20	<input type="checkbox"/> 20.5							
	5"	<input type="checkbox"/> 17.5	<input type="checkbox"/> 18	<input type="checkbox"/> 18.5	<input type="checkbox"/> 19	<input type="checkbox"/> 19.5	<input type="checkbox"/> 20	<input type="checkbox"/> 20.5								
	6"	<input type="checkbox"/> 18	<input type="checkbox"/> 18.5	<input type="checkbox"/> 19	<input type="checkbox"/> 19.5	<input type="checkbox"/> 20	<input type="checkbox"/> 20.5									

Caster Type

- .75" Rollerblade _____ N/C
Available only with 3" and 4" Caster Sizes
- .75" Lighted Rollerblade _____ £67
Not available with 6" Caster Size
- 1" Poly _____ N/C
Not available with 3" Caster Size
- 1" Poly Aluminum _____ £79
Available only with 4" and 5" Caster Sizes
- 1" Pneumatic _____ N/C
Available only with 6" Caster Size
- 1.5" Poly (4", 6") _____ N/C
Not available with 3" Caster Size
- 1.5" Poly (5") _____ £79
Not available with 3" Caster Size
- 1.5" Soft Roll Aluminum _____ £79

Fork Options

- Standard Fork _____ Std
 - Single Sided Fork _____ £170
 - Frog Legs Suspension Fork _____ £285
Not included in Colored Anodizing Package
- End User Weight Required: _____ lbs**
- Frog Legs II Suspension System _____ £350
Lightweight shock absorbing fork. Not included in Colored Anodizing Package.

Footrest

Footplate

- Tubular "Open" Footplate _____ Std
Not available with footrest widths less than 9.5". See Reference G on page 8.
- Tubular Footplate with ABS Cover _____ £75
Not available with footrest widths less than 9.5". See Reference G on page 8.
- Aluminum Angle Adjustable _____ £150
- Aluminum Angle Adjustable with Riser _____ £150
- High Mount Aluminum Angle Adjustable _____ £150
- Angle Adjustable Flip Under _____ £185
Available only with 9.5"-15.5" footrest widths. See Reference G on page 8.
- High Mount Angle Adjustable Flip Under _____ £225
Not available w/footrest widths greater than 15.5". See Reference G on page 8.

Seat to Footrest Length

Measured from front edge of seat sling to top, rear of footrest. Footrest length at least 2.5" shorter than Front Seat Height recommended. See reference H on page 8.

<input type="checkbox"/> 8"	<input type="checkbox"/> 8.5"	<input type="checkbox"/> 9"	<input type="checkbox"/> 9.5"	<input type="checkbox"/> 10"	<input type="checkbox"/> 10.5"
<input type="checkbox"/> 11"	<input type="checkbox"/> 11.5"	<input type="checkbox"/> 12"	<input type="checkbox"/> 12.5"	<input type="checkbox"/> 13"	<input type="checkbox"/> 13.5"
<input type="checkbox"/> 14"	<input type="checkbox"/> 14.5"	<input type="checkbox"/> 15"	<input type="checkbox"/> 15.5"	<input type="checkbox"/> 16"	<input type="checkbox"/> 16.5"
<input type="checkbox"/> 17"	<input type="checkbox"/> 17.5"	<input type="checkbox"/> 18"	<input type="checkbox"/> 18.5"	<input type="checkbox"/> 19"	<input type="checkbox"/> 19.5"

Footrest Protector

- Footrest Protector _____ N/C
Not available with Angle Adjustable Flip Under, High Mount Angle Adjustable Flip Under or High Mount Aluminum Angle Adjustable Footplates

Rear Seat Height and Wheels

Wheel Size / Rear Seat Height

Select Rear Seat Height in row corresponding to desired Wheel Size. For proper setup, selection is required when omitting rear wheels. Measured from floor to top of seat tube at front of back post. Rear Seat Height is custom to needs. See reference I on page 8.

Wheel Size	Rear Seat Height															
18"	<input type="checkbox"/> 11.5 ¹	<input type="checkbox"/> 12	<input type="checkbox"/> 12.5	<input type="checkbox"/> 13	<input type="checkbox"/> 13.5	<input type="checkbox"/> 14	<input type="checkbox"/> 14.5	<input type="checkbox"/> 15	<input type="checkbox"/> 15.5	<input type="checkbox"/> 16	<input type="checkbox"/> 16.5	<input type="checkbox"/> 17	<input type="checkbox"/> 17.5	<input type="checkbox"/> 18	<input type="checkbox"/> 18.5	<input type="checkbox"/> 19
20"	<input type="checkbox"/> 12.5 ¹	<input type="checkbox"/> 13	<input type="checkbox"/> 13.5	<input type="checkbox"/> 14	<input type="checkbox"/> 14.5	<input type="checkbox"/> 15	<input type="checkbox"/> 15.5	<input type="checkbox"/> 16	<input type="checkbox"/> 16.5	<input type="checkbox"/> 17	<input type="checkbox"/> 17.5	<input type="checkbox"/> 18	<input type="checkbox"/> 18.5	<input type="checkbox"/> 19	<input type="checkbox"/> 19.5	<input type="checkbox"/> 20
22"	<input type="checkbox"/> 13.5 ¹	<input type="checkbox"/> 14	<input type="checkbox"/> 14.5	<input type="checkbox"/> 15	<input type="checkbox"/> 15.5	<input type="checkbox"/> 16	<input type="checkbox"/> 16.5	<input type="checkbox"/> 17	<input type="checkbox"/> 17.5	<input type="checkbox"/> 18	<input type="checkbox"/> 18.5	<input type="checkbox"/> 19	<input type="checkbox"/> 19.5	<input type="checkbox"/> 20		
24"	<input type="checkbox"/> 14.5 ¹	<input type="checkbox"/> 15	<input type="checkbox"/> 15.5	<input type="checkbox"/> 16	<input type="checkbox"/> 16.5	<input type="checkbox"/> 17	<input type="checkbox"/> 17.5	<input type="checkbox"/> 18	<input type="checkbox"/> 18.5	<input type="checkbox"/> 19	<input type="checkbox"/> 19.5	<input type="checkbox"/> 20				
25"	<input type="checkbox"/> 15 ¹	<input type="checkbox"/> 15.5	<input type="checkbox"/> 16	<input type="checkbox"/> 16.5	<input type="checkbox"/> 17	<input type="checkbox"/> 17.5	<input type="checkbox"/> 18	<input type="checkbox"/> 18.5	<input type="checkbox"/> 19	<input type="checkbox"/> 19.5	<input type="checkbox"/> 20					

¹ Available only with Low Profile tires

One Arm Drive

One Arm Drive **New!** £700

Not available with 10" Seat Width. Only available with 20", 22" and 24" spoke wheels and Quick Release Axles. Spoke wheel style is exclusive to OAD. Standard Handrim will be Aluminum Anodized. Limitations exist based on rear wheel spacing, camber and armrest selections.

Drive Handrim Side: Left Right

Drive Handrim Type: Aluminum N/C
 Poly Coated £175

Rear Wheel Type

No selection needed with One Arm Drive

MAXX Performance Spoke N/C

Mag (Black) £100
 Not available in 18" or 25" wheel sizes

Colored Mag £150
 Available only in 20" and 22" wheel sizes

Color: Florescent Red White Blue Pink

Superlight Spoke N/C
 Available only in 24" and 25" wheel sizes. 25" wheel size available only with Superlight and Plastic Coated Handrims.

Spinergy Spox (20", 22") £635

Spinergy Spox (24", 25") £440

Black Spokes N/C

Colored Spokes £75

Color: Red White Blue Yellow

Handrim: Short Tab Long Tab

Available only with Aluminum Anodized and Plastic Coated Handrims

Spinergy LX (22") £825

Spinergy LX (24", 25") £675

Black Spokes N/C

Colored Spokes £75

Color: Red White Blue Yellow

Pink Green Orange Purple

Handrim: Short Tab Long Tab

Available only with Aluminum Anodized and Plastic Coated Handrims

Omit Rear Wheels N/C

Rear Tire Type

Full Profile

Street Pneumatic 1 3/8" £150
 Not available on 25" wheel size

Full Poly 1 3/8" N/C
 Not available on Superlight wheel or 25" wheel size

Pneumatic with Airless Insert 1 3/8" £90
 Not available on Superlight wheel or 25" wheel size

Schwalbe HS-127 1 3/8" £90
 Available only on 24" wheel size. Not available on Mag wheel.

Euro Trek Knobby 1 3/8" £90
 Available only on 24" wheel size

Mountain 2" Black £125
 Available only on 22", 24" and 25" MAXX Performance and Spinergy wheels

Low Profile

Low Poly 1" £90
 Not available on Superlight wheel or 25" wheel size

Sentinel Solid Tire 1" £90
 Not available on Superlight wheel, 18" wheel size or 20" and 22" Mag wheels

High Pressure 1" N/C
 Not available on Mag wheel or 18" wheel size

Schwalbe One 1" £90
 Available only on 24" and 25" wheel sizes. Not available on Mag wheel.

Schwalbe Marathon Plus Evolution 1" £90
 Available only on 24" and 25" wheel sizes. Not available on Mag wheel.

Rear Seat Height and Wheels continued

Handrim

No selection needed with One Arm Drive

Standard Handrims

- Aluminum Anodized _____ Std
- Superlight Aluminum Anodized _____ £100
Available only on 24" and 25" wheel sizes. Available only on MAXX Performance, Superlight or Spinerigy wheels.
- Plastic Coated _____ £100
- Projection (8 Vertical Projections) _____ £275
Available only with full profile tires in combination with 22"-25" MAXX Performance, or 24" Mag wheel
- Omit Handrim _____ N/C

Natural Fit Handrims

Not available on 18" or 20" wheel sizes or 22" Mag wheel. Not recommended with Mag wheel.

- Natural Fit LT Regular Grip _____ £225
- Natural Fit Standard Regular Grip _____ £225
- Natural Fit LT Super Grip _____ £225
- Natural Fit Standard Super Grip _____ £225
- Natural Fit LT Omit Grip _____ £225
- Natural Fit Standard Omit Grip _____ £225

Handrim Option

- 3M Micro Grip _____ £75
Not available on Plastic Coated or Projection Handrims

Axle

No selection needed with Drum Brake

- Quick Release _____ Std
- Quad Quick Release _____ £150
Not available with Mag or Spinerigy wheels

Wheel Locks

Wheel Lock

- Push to Lock _____ Std
- Push to Lock Flush Mount _____ N/C
- Pull to Lock _____ N/C
- Under Seat Scissor Lock _____ £30
- Low Profile Scissor Lock _____ £100
Not available with Low Poly, Full Poly or Sentinel Solid tires
- Short Thro Scissor Lock _____ £145
- Omit Wheel Locks _____ N/C

Wheel Lock Options

- Extension Handles _____ £40
Available only with Push to Lock or Pull to Lock Wheel Locks
- Grade Aids _____ £120
Available only with Push to Lock Wheel Locks and Pneumatic or Pneumatic with Airless Insert tires

Rear Wheel Camber

The following apply if One Arm Drive is selected: 6° and 8° not available. 4° not available with T-Arms.

- 0° 2° 4° 6° 8°

Rear Wheel Spacing

1" minimum with 0° camber. 1.5" minimum with T-Arms. The following apply if One Arm Drive is selected: 1.75" minimum with T-Arms. 1.25" minimum with select Rear Seat Heights. No selection needed with Wheelchair Drive Ready. See Reference K on page 8.

- .75" 1" 1.25" 1.5" 1.75"

Center of Gravity Preset

Measured from front of back post to center of rear axle. 0" indicates axle will be directly under back post. 2" minimum Center of Gravity with 5th Wheel and One Arm Drive. See reference J on page 8.

Amputee Positions

<input type="checkbox"/> -1.5"	<input type="checkbox"/> -1.25"	<input type="checkbox"/> -1"	<input type="checkbox"/> -.75"
<input type="checkbox"/> -.5"	<input type="checkbox"/> -.25"	<input type="checkbox"/> 0"	<input type="checkbox"/> .25"

Standard Positions

<input type="checkbox"/> .5"	<input type="checkbox"/> .75"	<input type="checkbox"/> 1"	<input type="checkbox"/> 1.25"
<input type="checkbox"/> 1.5"	<input type="checkbox"/> 1.75"	<input type="checkbox"/> 2"	<input type="checkbox"/> 2.25"
<input type="checkbox"/> 2.5"	<input type="checkbox"/> 2.75"	<input type="checkbox"/> 3"	<input type="checkbox"/> 3.25"
<input type="checkbox"/> 3.5"	<input type="checkbox"/> 3.75"	<input type="checkbox"/> 4"	<input type="checkbox"/> 4.25"

- Drum Brake **New!** _____ £440

Available only with 20", 22", and 24" MAXX Performance Spoke wheels. Not available with Low Profile or Fold Down Push Handles, or Ergo and Single Stroller Handles without integrated push handles. Axle is Quick Release.

- Dual - Drum Brake **New!** _____ £540

Available only with 20", 22", and 24" MAXX Performance Spoke wheels. Not available with Low Profile or Fold Down Push Handles, or Ergo and Single Stroller Handles without integrated push handles. Axle is Quick Release.

- Push to Lock Pull to Lock

Armrests

Armrest Please select Arm Pad option

Height Adjustable T-Arm (8.5" - 13.5") _____ £175
Not available with Seat Depths less than 13". 1.5" minimum Rear Wheel Spacing

Height Adjustable T-Arm Low (7.5" - 11.5") _____ £175
Not available with Seat Depths less than 12". 1.5" minimum Rear Wheel Spacing

Angle Adjustable Locking Extendable Flip Up _____ £220
Requires Fixed Height Backrest. Not available with backrest heights less than 12".

Arm Pad

Not available with Swing Away Armrests

Standard Arm Pad _____ N/C Desk Full

Waterfall Arm Pad _____ £25 Desk Full
Not available with Angle Adjustable Locking Extendable Flip Up Armrest

Foam Grip _____ N/C Desk Full
Available only with Angle Adjustable Locking Extendable Flip Up Armrest

Armrest continued

Short Swing Away (7" - 9") _____ £210
Not available with Arm Pads or Outward Offset Back Posts. If selection is not available with rear wheel and rear seat height configuration, then Tall Swing Away armrest will be used.

Tall Swing Away (9.25" - 11.25") _____ £210
Not available with Arm Pads or Outward Offset Back Posts

Omit Armrests _____ N/C

Side Guards

Not available with T-Arms or Swing Away with Side Guard Armrests

Direct Mount

Composite Side Guards _____ £165
12" minimum Seat Depth

Aluminum Straight
12" minimum Seat Depth

Black Matte _____ £175

Match Frame Color _____ £225
Not available with Hydrographics

Aluminum Adjustable Fender with Foam Pad
Not available with Adjustable Depth greater than 1/2"

Black Matte _____ £245

Match Frame Color _____ £295
Not available with Hydrographics

Carbon Fiber Adjustable Fender _____ £325
Not available with Adjustable Depth greater than 1/2"

Clamp-On Mount

Composite Side Guards _____ £165
12" minimum Seat Depth

Composite Side Guards - Pediatric _____ £165

Aluminum Straight
12" minimum Seat Depth

Black Matte _____ £175

Match Frame Color _____ £225
Not available with Hydrographics

Aluminum Adjustable Fender with Foam Pad

Black Matte _____ £245

Match Frame Color _____ £295
Not available with Hydrographics

Carbon Fiber Adjustable Fender _____ £325

Fabric Side Guard

Not available when omitting Back Upholstery

Fabric Side Guards _____ £75

Accessories

5th Wheel

Rotating removable rear caster. Not available with Anti-Tips or 25" rear wheel.

Standard 5th Wheel _____ £170

Dynamic 5th Wheel _____ £170

Elastomer: Soft Firm
Both elastomers are included; the selected elastomer will be installed.

Anti-Tip

Not available with 5th wheel

Rear Anti-Tips _____ £73

Belt Mounting Kit

Ki Mobility Belt Mounting Clamp _____ £30

Bodypoint Belt Mounting Bracket Kit _____ £85

Pelvic Positioning Belt

1" Auto Buckle _____ £45

1" Padded Auto Buckle _____ £125

1 1/2" Auto Buckle _____ £45

1 1/2" Padded Auto Buckle _____ £125

2" Airline Buckle _____ £90

Bodypoint Evoflex - Pelvic Stabilizer _____ £155
 Size: Small (16-24") Medium (19-29") Large (25-37")

Accessories continued

Calf Strap

- Velcro Adjustable _____ £30
- Padded Velcro Adjustable _____ £55
- Bodypoint Padded AeroMesh _____ £85

Spoke Guards

- Clear Spoke Guards _____ £122
Not available with Mag wheel
- Black Spoke Guards _____ £122
Not available with 18" or 20" wheel sizes or Mag wheel

Designer Spoke Guards _____ £122
Available only with 20" and 22" wheel sizes. Not available with Mag wheel.

Design:

- Blue Monster
- Robo Fun
- Tutu Cute
- Fairy Garden
- Rockin' Reptiles
- Tuxedo Time
- Havin' a Hoot
- Super Puppies

Color

Frame and Accent

Select desired frame and accent colors. Accent color is used on backrest rigidizer bar; if no accent color is selected, frame color will be used.

<u>Gloss Finish</u>		<u>Frame</u>	<u>Accent</u>
Black	N/C	<input type="checkbox"/>	<input type="checkbox"/>
Blue Skies	N/C	<input type="checkbox"/>	<input type="checkbox"/>
Bubblegum Pink	N/C	<input type="checkbox"/>	<input type="checkbox"/>
Candy Blue	N/C	<input type="checkbox"/>	<input type="checkbox"/>
Candy Purple	N/C	<input type="checkbox"/>	<input type="checkbox"/>
Candy Red	N/C	<input type="checkbox"/>	<input type="checkbox"/>
Copper	N/C	<input type="checkbox"/>	<input type="checkbox"/>
Granny Smith	N/C	<input type="checkbox"/>	<input type="checkbox"/>
Metallic Orange	N/C	<input type="checkbox"/>	<input type="checkbox"/>
Silver	N/C	<input type="checkbox"/>	<input type="checkbox"/>
Teal	N/C	<input type="checkbox"/>	<input type="checkbox"/>
Yellow	N/C	<input type="checkbox"/>	<input type="checkbox"/>

Hydrographics

Visit www.kimobility.com for current Hydrographic options. Available on frame only; please choose accent color above. Note selection below.

- _____ £600
Not available with Transit Option

Other Accessories

- Tool Kit _____ N/C
- Removable Underseat Pouch _____ N/C
- Pediatric Ki Mobility Backpack _____ £60
- Ki Mobility Backpack _____ £60
Best fit on chairs more than 10" wide
- Luggage Carrier _____ £60
- Black Neoprene Impact Guards _____ £70
- Under Chair Carrier and Removable Bag _____ £25
Not available with Seat Widths less than 14" or scissor locks
- Cane and Crutch Holder _____ £75

<u>Matte Finish</u>		<u>Frame</u>	<u>Accent</u>
Charcoal Gray	N/C	<input type="checkbox"/>	<input type="checkbox"/>
Emerald Green	N/C	<input type="checkbox"/>	<input type="checkbox"/>
Iridescent Burgundy	N/C	<input type="checkbox"/>	<input type="checkbox"/>
Iridescent Navy	N/C	<input type="checkbox"/>	<input type="checkbox"/>
Military Green	N/C	<input type="checkbox"/>	<input type="checkbox"/>
Retro Red	N/C	<input type="checkbox"/>	<input type="checkbox"/>
Royal Blue	N/C	<input type="checkbox"/>	<input type="checkbox"/>
Shadow Black	N/C	<input type="checkbox"/>	<input type="checkbox"/>
Smooth White	N/C	<input type="checkbox"/>	<input type="checkbox"/>

Colored Anodizing Package

Select desired color. If no selection is made, black will be used. Included in Colored Anodizing Package: Backrest plates, release cable housings, camber tube, towers, CG clamps (not available with negative center of gravity), side guard receivers, RP tuning housing, front caster forks (standard or Single Sided) and Dynamic 5th Wheel split clamp.

- Black _____ N/C
- Blue _____ £135
- Bright Green _____ £135
- Orange _____ £135
- Pewter _____ £135
- Pink _____ £135
- Purple _____ £135
- Red _____ £135
- Gold _____ £135

References

A. Seat Width See Diagram 1

Measured from outside of frame tube on one side to outside of frame tube on other side.

B. Seat Depth See Diagram 3

Measured from front of back posts to front edge of seat sling. Seat sling starts at beginning of bend at front of frame.

C. Sling Position See Diagram 2

In Performance Position (0°), sling is at front of frame to keep chair shorter and more maneuverable. The 1" or 2" seat sling position extends the frame in front of the sling by that amount. Adding more frame can improve stability and provide support to aid in transfers.

D. Front Frame Bend See Diagram 3

Angle between front seat tube and ground.

E. Footrest Taper See Diagram 1

Indicates bend of front frame creating footrest. Taper is measured from outside of seat frame to outside of front tube.

F. Front Seat Height See Diagram 1

Measured from floor to top of seat tube at front of seat sling.

G. Footrest Width See Diagram 1

Measured from inside of front tube to inside of front tube on other side. Footrest width is listed below for each seat width and taper.

Seat Width	Straight	1" Taper
Outside Measurement	2" Narrower than Seat Width	4" Narrower than Seat Width
10"	7.5"	
11"	8.5"	
12"	9.5"	7.5"
13"	10.5"	8.5"
14"	11.5"	9.5"
15"	12.5"	10.5"
16"	13.5"	11.5"
17"	14.5"	12.5"
18"	15.5"	13.5"

H. Seat to Footrest Length See Diagram 3

Measured from front edge of seat sling to top rear of footrest. Footrest length of at least 2.5" shorter than front seat height recommended.

I. Rear Seat Height See Diagram 3

Measured from floor to top of seat tube at front of back post. Rear seat height is custom to needs.

J. Center of Gravity Preset See Diagram 3

Measured from front of back post to center of rear axle. 0" indicates axle will be directly under back post.

K. Rear Wheel Spacing See Diagram 1

Measured from outside of seat back to inside of rear tire. Adjustable out .5" from setting.

Diagram 1

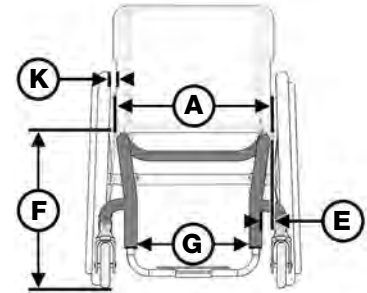


Diagram 2

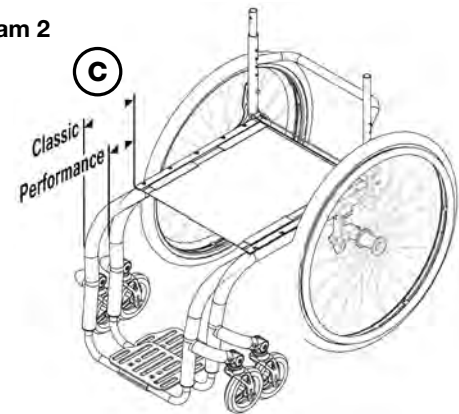
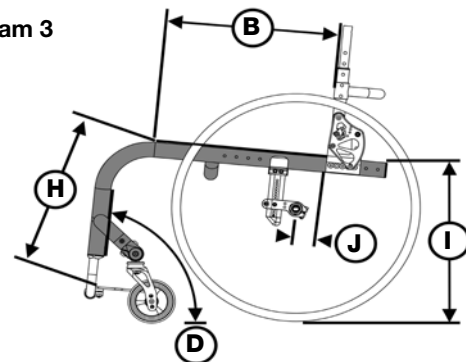


Diagram 3



Axiom G, S and P Cushions

Select size in chart at right. Weight capacity: 350 lbs.

- Axiom G, S and P Cushions**
- Axiom G _____ £75
 - Axiom S _____ £99
 - Axiom P _____ £150

Axiom G, S or P Cushion Quantity: 1 2
 If no selection is made, quantity 1 will be selected

		Width								
		14"	15"	16"	17"	18"	19"	20"	21"	22"
Depth	14"	<input type="checkbox"/>								
	15"	<input type="checkbox"/>	<input type="checkbox"/>	<input type="checkbox"/>						
	16"	<input type="checkbox"/>	<input type="checkbox"/>	<input type="checkbox"/>	<input type="checkbox"/>	<input type="checkbox"/>	<input type="checkbox"/>	<input type="checkbox"/>		
	17"	<input type="checkbox"/>	<input type="checkbox"/>	<input type="checkbox"/>	<input type="checkbox"/>	<input type="checkbox"/>	<input type="checkbox"/>	<input type="checkbox"/>		
	18"	<input type="checkbox"/>	<input type="checkbox"/>	<input type="checkbox"/>	<input type="checkbox"/>	<input type="checkbox"/>	<input type="checkbox"/>	<input type="checkbox"/>		<input type="checkbox"/>
	19"		<input type="checkbox"/>	<input type="checkbox"/>	<input type="checkbox"/>	<input type="checkbox"/>	<input type="checkbox"/>	<input type="checkbox"/>		<input type="checkbox"/>
	20"		<input type="checkbox"/>	<input type="checkbox"/>	<input type="checkbox"/>	<input type="checkbox"/>	<input type="checkbox"/>	<input type="checkbox"/>		<input type="checkbox"/>
	21"			<input type="checkbox"/>		<input type="checkbox"/>	<input type="checkbox"/>	<input type="checkbox"/>		<input type="checkbox"/>
22"			<input type="checkbox"/>		<input type="checkbox"/>	<input type="checkbox"/>	<input type="checkbox"/>		<input type="checkbox"/>	

Axiom SP Cushions

Select size in chart at right. Weight capacity: 350 lbs.

- Axiom SP Cushions**
- Axiom SP - Visco _____ £330
 - Axiom SP - Fluid _____ £300

Axiom SP Cushion Quantity: 1 2
 If no selection is made, quantity 1 will be selected

		Width								
		14"	15"	16"	17"	18"	19"	20"	21"	22"
Depth	14"	<input type="checkbox"/>	<input type="checkbox"/>	<input type="checkbox"/>						
	15"	<input type="checkbox"/>	<input type="checkbox"/>	<input type="checkbox"/>	<input type="checkbox"/>	<input type="checkbox"/>				
	16"	<input type="checkbox"/>	<input type="checkbox"/>	<input type="checkbox"/>	<input type="checkbox"/>	<input type="checkbox"/>	<input type="checkbox"/>	<input type="checkbox"/>		<input type="checkbox"/>
	17"	<input type="checkbox"/>	<input type="checkbox"/>	<input type="checkbox"/>	<input type="checkbox"/>	<input type="checkbox"/>	<input type="checkbox"/>	<input type="checkbox"/>		<input type="checkbox"/>
	18"	<input type="checkbox"/>	<input type="checkbox"/>	<input type="checkbox"/>	<input type="checkbox"/>	<input type="checkbox"/>	<input type="checkbox"/>	<input type="checkbox"/>	<input type="checkbox"/>	<input type="checkbox"/>
	19"	<input type="checkbox"/>	<input type="checkbox"/>	<input type="checkbox"/>	<input type="checkbox"/>	<input type="checkbox"/>	<input type="checkbox"/>	<input type="checkbox"/>	<input type="checkbox"/>	<input type="checkbox"/>
	20"	<input type="checkbox"/>	<input type="checkbox"/>	<input type="checkbox"/>	<input type="checkbox"/>	<input type="checkbox"/>	<input type="checkbox"/>	<input type="checkbox"/>	<input type="checkbox"/>	<input type="checkbox"/>
	21"		<input type="checkbox"/>	<input type="checkbox"/>	<input type="checkbox"/>	<input type="checkbox"/>	<input type="checkbox"/>	<input type="checkbox"/>	<input type="checkbox"/>	<input type="checkbox"/>
22"		<input type="checkbox"/>	<input type="checkbox"/>	<input type="checkbox"/>	<input type="checkbox"/>	<input type="checkbox"/>	<input type="checkbox"/>	<input type="checkbox"/>	<input type="checkbox"/>	

Axiom Cushion Accessories

- Outer Covers**
- Axiom G Extra Outer Cover _____ £56
 - Axiom S Extra Outer Cover _____ £64
 - Axiom P Extra Outer Cover _____ £72
 - Axiom SP Extra Visco Outer Cover _____ £80
 - Axiom SP Extra Fluid Outer Cover _____ £80

Outer Cover Quantity: 1 2
 If no selection is made, quantity 1 will be selected

- Inner Covers**
- Axiom SP Extra Visco Inner Cover _____ £80
 - Axiom SP Extra Fluid Inner Cover _____ £80

Inner Cover Quantity: 1 2
 If no selection is made, quantity 1 will be selected

Solid Seat Insert

Select size in chart below. Weight capacity: 350 lbs.

Solid Seat Insert _____ £44

		Width								
		14"	15"	16"	17"	18"	19"	20"	21"	22"
Depth	14"	<input type="checkbox"/>	<input type="checkbox"/>	<input type="checkbox"/>						
	15"	<input type="checkbox"/>	<input type="checkbox"/>	<input type="checkbox"/>	<input type="checkbox"/>					
	16"	<input type="checkbox"/>	<input type="checkbox"/>	<input type="checkbox"/>	<input type="checkbox"/>	<input type="checkbox"/>	<input type="checkbox"/>	<input type="checkbox"/>		<input type="checkbox"/>
	17"	<input type="checkbox"/>	<input type="checkbox"/>	<input type="checkbox"/>	<input type="checkbox"/>	<input type="checkbox"/>	<input type="checkbox"/>	<input type="checkbox"/>		<input type="checkbox"/>
	18"	<input type="checkbox"/>	<input type="checkbox"/>	<input type="checkbox"/>	<input type="checkbox"/>	<input type="checkbox"/>	<input type="checkbox"/>	<input type="checkbox"/>	<input type="checkbox"/>	<input type="checkbox"/>
	19"	<input type="checkbox"/>	<input type="checkbox"/>	<input type="checkbox"/>	<input type="checkbox"/>	<input type="checkbox"/>	<input type="checkbox"/>	<input type="checkbox"/>	<input type="checkbox"/>	<input type="checkbox"/>
	20"	<input type="checkbox"/>	<input type="checkbox"/>	<input type="checkbox"/>	<input type="checkbox"/>	<input type="checkbox"/>	<input type="checkbox"/>	<input type="checkbox"/>	<input type="checkbox"/>	<input type="checkbox"/>
	21"		<input type="checkbox"/>	<input type="checkbox"/>	<input type="checkbox"/>	<input type="checkbox"/>	<input type="checkbox"/>	<input type="checkbox"/>	<input type="checkbox"/>	<input type="checkbox"/>
22"		<input type="checkbox"/>	<input type="checkbox"/>	<input type="checkbox"/>	<input type="checkbox"/>	<input type="checkbox"/>	<input type="checkbox"/>	<input type="checkbox"/>	<input type="checkbox"/>	

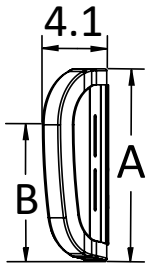
Solid Seat Insert Quantity: 1 2
 If no selection is made, quantity 1 will be selected

Axiom Back

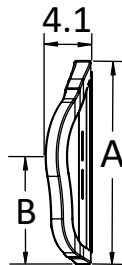
Select back that is the same or up to 2" narrower than the width of the frame. Hardware is included with back. Low Back selections are not available with headrests, modifications, or posture supports. Weight capacity: 300 lbs.

Axiom Posterior Back (PB)

		Width						
		12"	14"	16"	18"	20"	22"	
Retail		£475	£475	£475	£475	£475	£475	
Height	Low	8"	<input type="checkbox"/> AXPB1208	<input type="checkbox"/> AXPB1408	<input type="checkbox"/> AXPB1608	<input type="checkbox"/> AXPB1808	<input type="checkbox"/> AXPB2008	
		10"		<input type="checkbox"/> AXPB1410	<input type="checkbox"/> AXPB1610	<input type="checkbox"/> AXPB1810	<input type="checkbox"/> AXPB2010	<input type="checkbox"/> AXPB2210
		12"	<input type="checkbox"/> AXPB1212	<input type="checkbox"/> AXPB1412	<input type="checkbox"/> AXPB1612	<input type="checkbox"/> AXPB1812	<input type="checkbox"/> AXPB2012	
	Mid	14"		<input type="checkbox"/> AXPB1414	<input type="checkbox"/> AXPB1614	<input type="checkbox"/> AXPB1814	<input type="checkbox"/> AXPB2014	<input type="checkbox"/> AXPB2214
		16"	<input type="checkbox"/> AXPB1216	<input type="checkbox"/> AXPB1416	<input type="checkbox"/> AXPB1616	<input type="checkbox"/> AXPB1816	<input type="checkbox"/> AXPB2016	
		18"		<input type="checkbox"/> AXPB1418	<input type="checkbox"/> AXPB1618	<input type="checkbox"/> AXPB1818	<input type="checkbox"/> AXPB2018	<input type="checkbox"/> AXPB2218



Axiom Posterior Back - Low

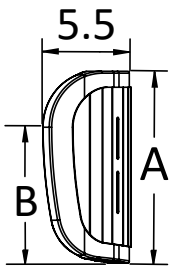


Axiom Posterior Back - Mid

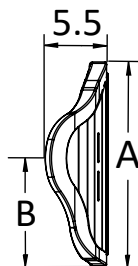
Axiom Posterior Back Measurement Reference					
		Back Height	A	B	Shell Contour Depth
Height	Low	8"	10"	6.5"	2.25"
		10"	12"	8.5"	
		12"	14"	10.5"	
	Mid	14"	16"	8.5"	
		16"	18"	9.5"	
		18"	20"	10.5"	

Axiom Posterior Lateral Back (PL)

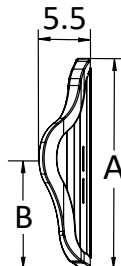
		Width						
		12"	14"	16"	18"	20"	22"	
Retail		£510	£510	£510	£510	£510	£510	
Height	Low	8"	<input type="checkbox"/> AXPL1208	<input type="checkbox"/> AXPL1408	<input type="checkbox"/> AXPL1608	<input type="checkbox"/> AXPL1808	<input type="checkbox"/> AXPL2008	
		10"		<input type="checkbox"/> AXPL1410	<input type="checkbox"/> AXPL1610	<input type="checkbox"/> AXPL1810	<input type="checkbox"/> AXPL2010	<input type="checkbox"/> AXPL2210
		12"	<input type="checkbox"/> AXPL1212	<input type="checkbox"/> AXPL1412	<input type="checkbox"/> AXPL1612	<input type="checkbox"/> AXPL1812	<input type="checkbox"/> AXPL2012	
	Mid	14"		<input type="checkbox"/> AXPL1414	<input type="checkbox"/> AXPL1614	<input type="checkbox"/> AXPL1814	<input type="checkbox"/> AXPL2014	<input type="checkbox"/> AXPL2214
		16"	<input type="checkbox"/> AXPL1216	<input type="checkbox"/> AXPL1416	<input type="checkbox"/> AXPL1616	<input type="checkbox"/> AXPL1816	<input type="checkbox"/> AXPL2016	
		18"		<input type="checkbox"/> AXPL1418	<input type="checkbox"/> AXPL1618	<input type="checkbox"/> AXPL1818	<input type="checkbox"/> AXPL2018	<input type="checkbox"/> AXPL2218
	Tall	20"	<input type="checkbox"/> AXPL1220	<input type="checkbox"/> AXPL1420	<input type="checkbox"/> AXPL1620	<input type="checkbox"/> AXPL1820	<input type="checkbox"/> AXPL2020	
		22"		<input type="checkbox"/> AXPL1422	<input type="checkbox"/> AXPL1622	<input type="checkbox"/> AXPL1822	<input type="checkbox"/> AXPL2022	<input type="checkbox"/> AXPL2222



Axiom Posterior Lateral Back - Low



Axiom Posterior Lateral Back - Mid



Axiom Posterior Lateral Back - Tall

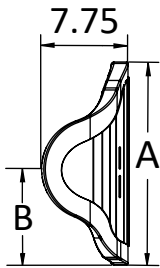
Axiom Posterior Lateral Back Measurement Reference					
		Back Height	A	B	Shell Contour Depth
Height	Low	8"	10"	6.5"	3.65"
		10"	12"	8.5"	
		12"	14"	10.5"	
	Mid	14"	16"	8.5"	
		16"	18"	9.5"	
		18"	20"	10.5"	
	Tall	20"	22"	11.5"	
		22"	24"	12.5"	

Axiom Back continued

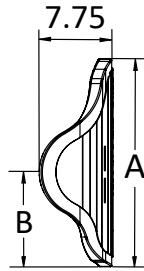
Select back that is the same or up to 2" narrower than the width of the frame. Hardware is included with back. Weight capacity: 300 lbs.

Axiom Deep Lateral Back (DL)

		Width						
		12"	14"	16"	18"	20"	22"	
Retail		£590	£590	£590	£590	£590	£590	
Height	Mid	14"	<input type="checkbox"/> AXDL1214	<input type="checkbox"/> AXDL1414	<input type="checkbox"/> AXDL1614	<input type="checkbox"/> AXDL1814	<input type="checkbox"/> AXDL2014	<input type="checkbox"/> AXDL2214
		16"		<input type="checkbox"/> AXDL1416	<input type="checkbox"/> AXDL1616	<input type="checkbox"/> AXDL1816	<input type="checkbox"/> AXDL2016	
		18"	<input type="checkbox"/> AXDL1218	<input type="checkbox"/> AXDL1418	<input type="checkbox"/> AXDL1618	<input type="checkbox"/> AXDL1818	<input type="checkbox"/> AXDL2018	<input type="checkbox"/> AXDL2218
	Tall	20"	<input type="checkbox"/> AXDL1220	<input type="checkbox"/> AXDL1420	<input type="checkbox"/> AXDL1620	<input type="checkbox"/> AXDL1820	<input type="checkbox"/> AXDL2020	
		22"		<input type="checkbox"/> AXDL1422	<input type="checkbox"/> AXDL1622	<input type="checkbox"/> AXDL1822	<input type="checkbox"/> AXDL2022	<input type="checkbox"/> AXDL2222



Axiom Deep Lateral Back - Mid



Axiom Deep Lateral Back - Tall

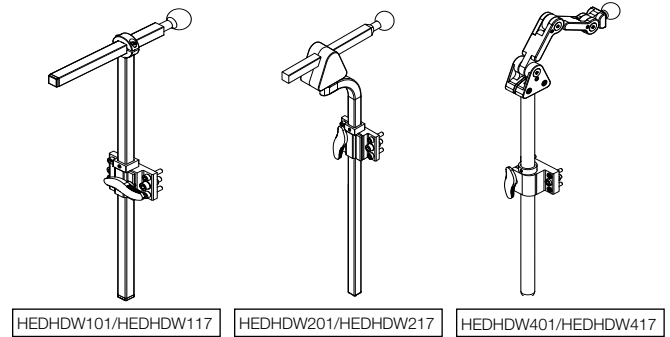
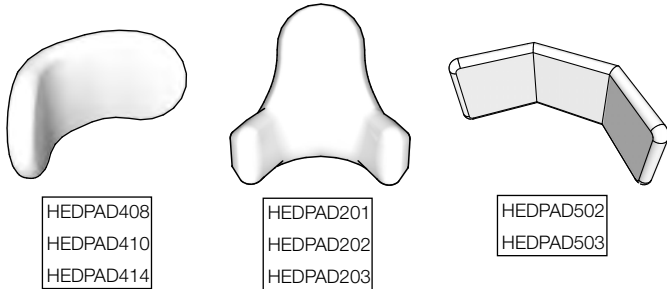
Axiom Deep Lateral Back Measurement Reference									
		Back Height	A	B ¹					Shell Contour Depth
				12"	14"	16"	18"	20"	
Height	Mid	14"	16"	8.25"	8.25"	8.25"	8.25"	8.25"	8.25"
		16"	18"	9.25"	9.25"	9.25"	9.25"	9.25"	9.25"
		18"	20"	10.25"	10.25"	10.25"	10.25"	10.25"	10.25"
	Tall	20"	22"	9.5"	9.75"	10"	10.25"	10.25"	10.5"
		22"	24"	10.75"	11"	11.25"	11.5"	11.5"	11.75"

¹ Measurement based on back width

Axiom Back Accessories

Headrest and Hardware

Choose headrest and hardware combination in chart below. Not available with Low Backs.



		Hardware							
		Standard Straight Back Mount Hardware with Ball		Multi Axis Removable Hardware with Horizontal Bar		Headrest Hardware with Ball			
		HEDHDW101 / HEDHDW117		HEDHDW201 / HEDHDW217		HEDHDW401 / HEDHDW417			
	Description	Item Code	Kio Code	Retail	Kio Code	Retail	Kio Code	Retail	
Headrest Pad	Comfort Plus Headrest 8"	HEDPAD408	<input type="checkbox"/> HDR001	£221.60	<input type="checkbox"/> HDR009	£250.40	<input type="checkbox"/> HDR017	£310.40	
	Comfort Plus Headrest 10"	HEDPAD410	<input type="checkbox"/> HDR002	£221.60	<input type="checkbox"/> HDR010	£250.40	<input type="checkbox"/> HDR018	£310.40	
	Comfort Plus Headrest 14"	HEDPAD414	<input type="checkbox"/> HDR003	£221.60	<input type="checkbox"/> HDR011	£250.40	<input type="checkbox"/> HDR019	£310.40	
	Small All Positioning Headrest Pad and Ring Only	HEDPAD201	<input type="checkbox"/> HDR004	£221.60	<input type="checkbox"/> HDR012	£250.40	<input type="checkbox"/> HDR020	£310.40	
	Medium All Positioning Headrest Pad and Ring Only	HEDPAD202	<input type="checkbox"/> HDR005	£221.60	<input type="checkbox"/> HDR013	£250.40	<input type="checkbox"/> HDR021	£310.40	
	Large All Positioning Headrest Pad and Ring Only	HEDPAD203	<input type="checkbox"/> HDR006	£221.60	<input type="checkbox"/> HDR014	£250.40	<input type="checkbox"/> HDR022	£310.40	
	Tri-Comfort Plus Headrest 14"	HEDPAD502	<input type="checkbox"/> HDR007	£230.40	<input type="checkbox"/> HDR015	£259.20	<input type="checkbox"/> HDR023	£319.20	
	Tri-Comfort Plus Headrest 19"	HEDPAD503	<input type="checkbox"/> HDR008	£230.40	<input type="checkbox"/> HDR016	£259.20	<input type="checkbox"/> HDR024	£319.20	

Headrest Hardware Options

	Description	Item Code	Retail
<input type="checkbox"/>	Headrest Flip Down Mount <i>Available only with HEDHMD401/HEDHMD417</i>	HDR100	£140
<input type="checkbox"/>	Universal Mounting Plate <i>For use with other manufacturer headrests</i>	UMP	£35

Axiom Back Accessories continued

Lateral Support						
Pair	Left	Right	Description	Item Code	Pair	Each
Laterals for Posterior Back						
<input type="checkbox"/>	<input type="checkbox"/>	<input type="checkbox"/>	3 x 4 Lateral Pads with Fixed Mounting Hardware for Axiom Posterior Back	LF3x4P	£244	£122
<input type="checkbox"/>	<input type="checkbox"/>	<input type="checkbox"/>	4 x 5 Lateral Pads with Fixed Mounting Hardware for Axiom Posterior Back	LF4x5P	£244	£122
<input type="checkbox"/>	<input type="checkbox"/>	<input type="checkbox"/>	3 x 4 Lateral Pads with Swing Away Mounting Hardware for Axiom Posterior Back	LS3x4P	£520	£260
<input type="checkbox"/>	<input type="checkbox"/>	<input type="checkbox"/>	4 x 5 Lateral Pads with Swing Away Mounting Hardware for Axiom Posterior Back	LS4x5P	£520	£260
Laterals for Posterior Lateral Back						
<input type="checkbox"/>	<input type="checkbox"/>	<input type="checkbox"/>	3 x 4 Lateral Pads with Fixed Mounting Hardware for Axiom Posterior Lateral Back	LF3x4L	£244	£122
<input type="checkbox"/>	<input type="checkbox"/>	<input type="checkbox"/>	4 x 5 Lateral Pads with Fixed Mounting Hardware for Axiom Posterior Lateral Back	LF4x5L	£244	£122
<input type="checkbox"/>	<input type="checkbox"/>	<input type="checkbox"/>	3 x 4 Lateral Pads with Swing Away Mounting Hardware for Axiom Posterior Lateral Back	LS3x4L	£520	£260
<input type="checkbox"/>	<input type="checkbox"/>	<input type="checkbox"/>	4 x 5 Lateral Pads with Swing Away Mounting Hardware for Axiom Posterior Lateral Back	LS4x5L	£520	£260

Axiom Lateral Support Modifications

Extended lead times will apply. Modified Lateral Supports are not eligible for refund.

	Description	Item Code	Retail
<input type="checkbox"/>	Modification for Chest Strap attached to Lateral Supports	AXMLATMT	N/C

Privacy Flap

	Description	Retail
<input type="checkbox"/>	Privacy Flap	£36

Shoulder Guides

	Description	Item Code	Retail
<input type="checkbox"/>	Shoulder Strap Guides and Mount <i>Selection of a modification from the Axiom Back Modifications required in order to mount Shoulder Guides. Not available with Low Backs.</i>	AXBSG	£35

Therafin Posture Support

Selection of a modification from the Axiom Back Modifications section required in order to mount posture supports. Not available with Low Backs.

	Description	Item Code	Retail
<input type="checkbox"/>	Small Static Therafit 2-Piece Chest Strap with H & L Adj and 1" Safety Strap	60153T	£115.20
<input type="checkbox"/>	Medium Static Therafit 2-Piece Chest Strap with H & L Adj and 1" Safety Strap	60154T	£115.20
<input type="checkbox"/>	Large Static Therafit 2-Piece Chest Strap with H & L Adj and 1" Safety Strap	60155T	£115.20
<input type="checkbox"/>	Small Dynamic Therafit Chest Strap with Dual D-Ring Adjustment	60110T	£90.40
<input type="checkbox"/>	Medium Dynamic Therafit Chest Strap with Dual D-Ring Adjustment	60111T	£90.40
<input type="checkbox"/>	Large Dynamic Therafit Chest Strap with Dual D-Ring Adjustment	60112T	£90.40
<input type="checkbox"/>	Small Dynamic Therafit Comfortfit Full Vest	30589T	£133.60
<input type="checkbox"/>	Medum Dynamic Therafit Comfortfit Full Vest	30590T	£133.60
<input type="checkbox"/>	Large Dynamic Therafit Comfortfit Full Vest	30591T	£133.60
<input type="checkbox"/>	XLarge Dynamic Therafit Comfortfit Full Vest	30592T	£133.60
<input type="checkbox"/>	XXLarge Dynamic Therafit Comfortfit Full Vest	30593T	£133.60
<input type="checkbox"/>	Small Dynamic Therafit Comfortfit Trim Vest	30618T	£135.20
<input type="checkbox"/>	Medum Dynamic Therafit Comfortfit Trim Vest	30619T	£135.20
<input type="checkbox"/>	Large Dynamic Therafit Comfortfit Trim Vest	30620T	£135.20
<input type="checkbox"/>	XLarge Dynamic Therafit Comfortfit Trim Vest	30621T	£135.20
<input type="checkbox"/>	XXLarge Dynamic Therafit Comfortfit Trim Vest	30622T	£135.20

Axiom Back Modifications

Extended lead times will apply for all modifications. Makes back non-refundable.

Axiom Back Modifications

Choose modification to add holes to the back shell in order to mount posture supports. Not available with Low Backs.

	Description	Item Code	Retail
<input type="checkbox"/>	Modification for 4 Point Harness	AXM4PT	N/C
<input type="checkbox"/>	Modification for 2 Point Chest Strap	AXM2PT	N/C
<input type="checkbox"/>	Modification for Shoulder Guides	AXMSG	N/C

Painted Back Shell Modification

If no selection is made, standard Shadow Black will be used with no additional lead time

	Gloss Finish	Item Code	Retail
<input type="checkbox"/>	Black	AXMBLK	N/C
<input type="checkbox"/>	Blue Skies	AXMSKY	N/C
<input type="checkbox"/>	Bubblegum Pink	AXMPNK	N/C
<input type="checkbox"/>	Candy Blue	AXMCBL	N/C
<input type="checkbox"/>	Candy Purple	AXMPUR	N/C
<input type="checkbox"/>	Candy Red	AXMRED	N/C
<input type="checkbox"/>	Copper	AXMCOP	N/C
<input type="checkbox"/>	Granny Smith	AXMGSM	N/C
<input type="checkbox"/>	Metallic Orange	AXMMOR	N/C
<input type="checkbox"/>	Silver	AXMSIL	N/C
<input type="checkbox"/>	Teal	AXMTEA	N/C
<input type="checkbox"/>	Yellow	AXMYLW	N/C

	Matte Finish	Item Code	Retail
<input type="checkbox"/>	Charcoal Gray	AXMCGM	N/C
<input type="checkbox"/>	Emerald Green	AXMEGM	N/C
<input type="checkbox"/>	Iridescent Burgundy	AXMIBM	N/C
<input type="checkbox"/>	Iridescent Navy	AXMINM	N/C
<input type="checkbox"/>	Military Green	AXMAGM	N/C
<input type="checkbox"/>	Retro Red	AXMRRM	N/C
<input type="checkbox"/>	Royal Blue	AXMRBM	N/C
<input type="checkbox"/>	Smooth White	AXMSWM	N/C