



Phone (800) 981-1540 | Fax (715) 254-0996
 sales@kimobility.com | www.kimobility.com



Company: _____

Ship To: _____

Account Number: _____ Date: _____

Address: _____

Quote PO Number: _____

City: _____ Postal Code: _____

RTS: _____

Phone: _____

Marked For: _____

Email/Fax: _____

Select if chair quote has: Additional Ki Products with Different Quote/Order Number **Quote/Order Number:** _____

Effective 08/02/2021

Little Wave - Clik XP £2400
 Width Growable Frame. Price includes one time free growth kit.
 165 lb weight capacity. Maximum Seat Width of 18".

End User Weight: _____ lbs (Required with Frog Legs Forks)

Frame

Seat Width / Seat Depth

Select box corresponding to desired Seat Width and Depth.
 See references A and B on page 8.

		Seat Width								
		8"	9"	10"	11"	12"	13"	14"	15"	16"
Seat Depth	8"	<input type="checkbox"/>	<input type="checkbox"/>	<input type="checkbox"/>	<input type="checkbox"/>	<input type="checkbox"/>	<input type="checkbox"/>	<input type="checkbox"/>	<input type="checkbox"/>	<input type="checkbox"/>
	9"	<input type="checkbox"/>	<input type="checkbox"/>	<input type="checkbox"/>	<input type="checkbox"/>	<input type="checkbox"/>	<input type="checkbox"/>	<input type="checkbox"/>	<input type="checkbox"/>	<input type="checkbox"/>
	10"	<input type="checkbox"/>	<input type="checkbox"/>	<input type="checkbox"/>	<input type="checkbox"/>	<input type="checkbox"/>	<input type="checkbox"/>	<input type="checkbox"/>	<input type="checkbox"/>	<input type="checkbox"/>
	11"	<input type="checkbox"/>	<input type="checkbox"/>	<input type="checkbox"/>	<input type="checkbox"/>	<input type="checkbox"/>	<input type="checkbox"/>	<input type="checkbox"/>	<input type="checkbox"/>	<input type="checkbox"/>
	12"	<input type="checkbox"/>	<input type="checkbox"/>	<input type="checkbox"/>	<input type="checkbox"/>	<input type="checkbox"/>	<input type="checkbox"/>	<input type="checkbox"/>	<input type="checkbox"/>	<input type="checkbox"/>
	13"	<input type="checkbox"/>	<input type="checkbox"/>	<input type="checkbox"/>	<input type="checkbox"/>	<input type="checkbox"/>	<input type="checkbox"/>	<input type="checkbox"/>	<input type="checkbox"/>	<input type="checkbox"/>
	14"	<input type="checkbox"/>	<input type="checkbox"/>	<input type="checkbox"/>	<input type="checkbox"/>	<input type="checkbox"/>	<input type="checkbox"/>	<input type="checkbox"/>	<input type="checkbox"/>	<input type="checkbox"/>
	15"	<input type="checkbox"/>	<input type="checkbox"/>	<input type="checkbox"/>	<input type="checkbox"/>	<input type="checkbox"/>	<input type="checkbox"/>	<input type="checkbox"/>	<input type="checkbox"/>	<input type="checkbox"/>
16"	<input type="checkbox"/>	<input type="checkbox"/>	<input type="checkbox"/>	<input type="checkbox"/>	<input type="checkbox"/>	<input type="checkbox"/>	<input type="checkbox"/>	<input type="checkbox"/>	<input type="checkbox"/>	

Adjustable Depth

Adds the capability to grow seat in depth. For restrictions see Chart 2 on page 8.

- No Rear Adjustment _____ N/C
- 1" _____ N/C
- 2" _____ N/C
- 3" _____ N/C

Transit Option

- Transit System _____ N/C

Offset Option

See Chart 1 on page 8

- Offset Frame _____ N/C
Not available with 0 and -1 Sling Positions

Seat Option

- Growing Seat Sling _____ N/C
- Growing Solid Seat Pan _____ £196
- Omit Seat _____ N/C

Sling Position

With 0 Sling Position, sling is approximately 4" from front down tube. The 1 and 2 Sling Positions extend the frame in front of the sling by that amount. -1 pushes the seat 1" farther forward. See reference D on page 8 for further detail and restrictions.

- 2 _____ N/C
- 1 _____ N/C
- 0 _____ N/C
Not available with Offset Frame
- 1 _____ N/C
Not available with Offset Frame

Front Caster Wing

Certain combinations of Seat Depth, Center of Gravity Position and Wheel Size may require a forward facing caster wing

- Forward Facing Wing _____ N/C

Front Frame Bend

Angle between front seat tube and ground. See reference C on page 8.

- 90° _____ N/C
- 85° _____ N/C
- 80° _____ N/C

Backrest

Back Post / Height Range / Back Height

Select Back Height in row corresponding to desired Back Post and Height Range

Back Post	Height Range	Back Height				
		Ex. Short ¹	<input type="checkbox"/> 9	<input type="checkbox"/> 10	<input type="checkbox"/> 11	<input type="checkbox"/> 12
Height Adjustable (Standard or 1" Inward Offset)	Short	<input type="checkbox"/> 11	<input type="checkbox"/> 12	<input type="checkbox"/> 13	<input type="checkbox"/> 14 ¹	
	Medium	<input type="checkbox"/> 13	<input type="checkbox"/> 14	<input type="checkbox"/> 15	<input type="checkbox"/> 16	
	Tall	<input type="checkbox"/> 15	<input type="checkbox"/> 16	<input type="checkbox"/> 17	<input type="checkbox"/> 18	
Fixed Height (Straight or 1" Inward Offset)		<input type="checkbox"/> 9 ¹	<input type="checkbox"/> 10 ¹	<input type="checkbox"/> 11 ¹	<input type="checkbox"/> 12	<input type="checkbox"/> 13
		<input type="checkbox"/> 14	<input type="checkbox"/> 15	<input type="checkbox"/> 16	<input type="checkbox"/> 17	<input type="checkbox"/> 18
Fixed Height 2" Offset		<input type="checkbox"/> 11 ¹	<input type="checkbox"/> 12 ¹	<input type="checkbox"/> 13 ¹	<input type="checkbox"/> 14 ¹	
		<input type="checkbox"/> 15	<input type="checkbox"/> 16	<input type="checkbox"/> 17		

¹ Not available with Fold Down Push Handle

Height Adjustable Back Post Option

Selection required with Height Adjustable Back Post. Each Offset Back Post is offset 1/2" creating 1" overall offset.

- Standard _____ N/C
- 1" Inward Offset _____ N/C
 Not available with 8" Seat Width

Fixed Height Back Post Option

Selection required with Fixed Height Back Post. Uses 1" tubes compatible with after-market backs. Not available with back upholstery. 2" Inward or Outward Offset Back Posts are offset 1" creating 2" overall offset. 1" Offset Back Post is offset 1/2" creating 1" overall offset.

- Straight _____ £75
- 1" Inward Offset _____ £75
 Not available with 8" Seat Widths
- 2" Inward Offset _____ £75
 Not available with 8" or 9" Seat Widths
- 2" Outward Offset _____ £75
 Not available with Swing Away Armrests or 8" and 9" Seat Widths

Push Handle

- Omit Push Handle _____ N/C
- Standard Push Handle _____ N/C
- Fold Down Push Handle _____ £135
 Not available on Height Adjustable Back Posts with 9"-11" Back Heights or Offset Back Posts with 11" - 14" Back Heights
- Bolt-On Push Handle _____ £150
 Handles will be 1" - 2" above back height

Stroller Handle

Stroller Handles are removable and height adjustable

- Ergo Stroller Handle _____ £150
- Single Straight Stroller Handle _____ £135
- Double Straight Stroller Handle _____ £180
 Not available with Push Handles or 8"-10" Seat Widths

Back Upholstery

Available only with Height Adjustable Back Posts. If selecting both upholstery and Axiom Back, the upholstery will be installed.

Padded Velcro Adjustable

Not available with 17" or 18" Back Heights in combination with 8" or 9" Seat Widths

- Standard Cover _____ Std
- Air Mesh Breathable Cover _____ £60
 Not available on chair widths less than 12"

Tension Adjustable

Not available with 8" and 9" Seat Widths

- Standard Cover _____ N/C
 Not available on 10" Seat Width and 1" Inward Offset
- Air Mesh Breathable Cover _____ £150
 Not available on chair widths less than 12"

- Omit Back Upholstery _____ N/C

Seat Back Angle

Standard is 90° (perpendicular to floor). Minus (-°) closes back angle. Plus (+°) opens back angle.

- Std +2° +4° +6° +8° +10°
 -2° -4° -6° -8° -10°

Spinergy Backrest Release Cable Color

Select desired color. If no selection is made, black will be used.

- Black Red White Blue
 Yellow Orange Green Pink

Front Seat Height and Casters

Caster Size / Front Seat Height

Select Front Seat Height in row corresponding to desired Caster Size

Front Seat Height is measured from floor to top of seat tube at front of seat sling. Adjustable up or down by 1/2". See reference E on page 8.

Caster Size	Front Seat Height														
3"	<input type="checkbox"/> 11.5	<input type="checkbox"/> 12	<input type="checkbox"/> 12.5	<input type="checkbox"/> 13	<input type="checkbox"/> 13.5	<input type="checkbox"/> 14	<input type="checkbox"/> 14.5	<input type="checkbox"/> 15	<input type="checkbox"/> 15.5	<input type="checkbox"/> 16	<input type="checkbox"/> 16.5	<input type="checkbox"/> 17	<input type="checkbox"/> 17.5	<input type="checkbox"/> 18	<input type="checkbox"/> 18.5
4"	<input type="checkbox"/> 12.5	<input type="checkbox"/> 13	<input type="checkbox"/> 13.5	<input type="checkbox"/> 14	<input type="checkbox"/> 14.5	<input type="checkbox"/> 15	<input type="checkbox"/> 15.5	<input type="checkbox"/> 16	<input type="checkbox"/> 16.5	<input type="checkbox"/> 17	<input type="checkbox"/> 17.5	<input type="checkbox"/> 18	<input type="checkbox"/> 18.5	<input type="checkbox"/> 19	<input type="checkbox"/> 19.5
5"	<input type="checkbox"/> 13.5	<input type="checkbox"/> 14	<input type="checkbox"/> 14.5	<input type="checkbox"/> 15	<input type="checkbox"/> 15.5	<input type="checkbox"/> 16	<input type="checkbox"/> 16.5	<input type="checkbox"/> 17	<input type="checkbox"/> 17.5	<input type="checkbox"/> 18	<input type="checkbox"/> 18.5	<input type="checkbox"/> 19	<input type="checkbox"/> 19.5	<input type="checkbox"/> 20	<input type="checkbox"/> 20.5
6"	<input type="checkbox"/> 14.5	<input type="checkbox"/> 15	<input type="checkbox"/> 15.5	<input type="checkbox"/> 16	<input type="checkbox"/> 16.5	<input type="checkbox"/> 17	<input type="checkbox"/> 17.5	<input type="checkbox"/> 18	<input type="checkbox"/> 18.5	<input type="checkbox"/> 19	<input type="checkbox"/> 19.5	<input type="checkbox"/> 20	<input type="checkbox"/> 20.5		

Caster Type

- .75" Rollerblade _____ N/C
Available only with 3" and 4" Caster Sizes
- .75" Lighted Rollerblade _____ £67
Not available with 6" Caster Size
- 1" Poly _____ Std
Not available with 3" Caster Size
- 1" Poly Aluminum _____ N/C
Available only with 4" and 5" Caster Sizes
- 1" Pneumatic _____ £85
Available only with 6" Caster Size
- 1.5" Poly _____ £80
Not available with 3" Caster Size
- 1.5" Soft Roll Aluminum _____ £80

Fork Options

- Standard Fork _____ Std
- Single Sided Fork _____ £100
- Frog Legs Suspension Fork _____ £285
Not included in Colored Anodizing Package

Footrest

Footplate

- Aluminum Angle Adjustable _____ £125
Not available with Front Seat Heights less than 14.5"
- Aluminum Angle Adjustable with Riser _____ £125
Not available with Front Seat Heights less than 14.5"
- High Mount Aluminum Angle Adjustable _____ £125
- Angle Adjustable Flip Under _____ N/C
Not available with footrest widths less than 9" or with Front Seat Heights less than 15". See reference F on page 8.
- High Mount Angle Adjustable Flip Under _____ £125
Not available with 16" Seat Width in combination with Offset Frame

Seat to Footrest Length

Measured from front edge of seat sling to top, rear of footrest. Footrest length at least 2.5" shorter than Front Seat Height recommended. See reference G on page 8.

<input type="checkbox"/> 5.5"	<input type="checkbox"/> 6"	<input type="checkbox"/> 6.5"	<input type="checkbox"/> 7"
<input type="checkbox"/> 7.5"	<input type="checkbox"/> 8"	<input type="checkbox"/> 8.5"	<input type="checkbox"/> 9"
<input type="checkbox"/> 9.5"	<input type="checkbox"/> 10"	<input type="checkbox"/> 10.5"	<input type="checkbox"/> 11"
<input type="checkbox"/> 11.5"	<input type="checkbox"/> 12"	<input type="checkbox"/> 12.5"	<input type="checkbox"/> 13"
<input type="checkbox"/> 13.5"	<input type="checkbox"/> 14"	<input type="checkbox"/> 14.5"	<input type="checkbox"/> 15"
<input type="checkbox"/> 15.5"	<input type="checkbox"/> 16"	<input type="checkbox"/> 16.5"	<input type="checkbox"/> 17"
<input type="checkbox"/> 17.5"	<input type="checkbox"/> 18"		

Rear Seat Height and Wheels

Wheel Size / Rear Seat Height

Select Rear Seat Height in row corresponding to desired Wheel Size. For proper setup, selection is required when omitting rear wheels. Measured from floor to top of seat tube at front of back post. Rear Seat Height is custom to needs. See reference H on page 8.

Wheel Size	Rear Seat Height															
18"	<input type="checkbox"/> 11.5 ¹	<input type="checkbox"/> 12	<input type="checkbox"/> 12.5	<input type="checkbox"/> 13	<input type="checkbox"/> 13.5	<input type="checkbox"/> 14	<input type="checkbox"/> 14.5	<input type="checkbox"/> 15	<input type="checkbox"/> 15.5	<input type="checkbox"/> 16	<input type="checkbox"/> 16.5	<input type="checkbox"/> 17	<input type="checkbox"/> 17.5	<input type="checkbox"/> 18	<input type="checkbox"/> 18.5	<input type="checkbox"/> 19
20"	<input type="checkbox"/> 12.5 ¹	<input type="checkbox"/> 13	<input type="checkbox"/> 13.5	<input type="checkbox"/> 14	<input type="checkbox"/> 14.5	<input type="checkbox"/> 15	<input type="checkbox"/> 15.5	<input type="checkbox"/> 16	<input type="checkbox"/> 16.5	<input type="checkbox"/> 17	<input type="checkbox"/> 17.5	<input type="checkbox"/> 18	<input type="checkbox"/> 18.5	<input type="checkbox"/> 19	<input type="checkbox"/> 19.5	<input type="checkbox"/> 20
22"	<input type="checkbox"/> 13.5 ¹	<input type="checkbox"/> 14	<input type="checkbox"/> 14.5	<input type="checkbox"/> 15	<input type="checkbox"/> 15.5	<input type="checkbox"/> 16	<input type="checkbox"/> 16.5	<input type="checkbox"/> 17	<input type="checkbox"/> 17.5	<input type="checkbox"/> 18	<input type="checkbox"/> 18.5	<input type="checkbox"/> 19	<input type="checkbox"/> 19.5	<input type="checkbox"/> 20		
24"	<input type="checkbox"/> 14.5 ¹	<input type="checkbox"/> 15	<input type="checkbox"/> 15.5	<input type="checkbox"/> 16	<input type="checkbox"/> 16.5	<input type="checkbox"/> 17	<input type="checkbox"/> 17.5	<input type="checkbox"/> 18	<input type="checkbox"/> 18.5	<input type="checkbox"/> 19	<input type="checkbox"/> 19.5	<input type="checkbox"/> 20				

¹ Available only with Low Profile tires

One Arm Drive

One Arm Drive **New!** £700

Available only with 20", 22" and 24" spoke wheels and Quick Release axles. Spoke wheel style is exclusive to OAD. Standard handrim will be Aluminum Anodized. Rear wheel spacing limitations exist based on camber and armrest selections.

Drive Handrim Side: Left Right

Drive Handrim Type: Aluminum N/C
 Poly Coated £150

Rear Wheel Type

No selection needed with One Arm Drive

MAXX Performance Spoke Std
 Mag (Black) £100
 Not available in 18" wheel size

Colored Mag £150
 Available only in 20" and 22" wheel sizes
 Color: Florescent Red White Blue Pink

Spinergy Spox £550
 Not available in 18" wheel size
 Black Spokes N/C
 Colored Spokes £75
 Color: Red White Blue Yellow
 Handrim: Short Tab Long Tab
 Available only with Aluminum Anodized and Plastic Coated Handrims

Spinergy LX £775
 Not available in 18" or 20" wheel sizes
 Black Spokes N/C
 Colored Spokes £75
 Color: Red White Blue Yellow
 Pink Green Orange Purple
 Handrim: Short Tab Long Tab
 Available only with Aluminum Anodized and Plastic Coated Handrims

Omit Rear Wheels N/C

Rear Tire Type

Full Profile

Street Pneumatic 1 3/8" Std
 Full Poly 1 3/8" N/C
 Pneumatic with Airless Insert 1 3/8" £90

Low Profile

Low Poly 1" N/C
 Sentinel Solid Tire 1" £90
 Not available on 18" wheel size or 20" and 22" Mag wheels
 High Pressure 1" N/C
 Not available on Mag wheel or 18" wheel size
 Schwalbe Marathon Plus Evolution 1" £90
 Available only on 24" MAXX Performance or Spinergy wheels

Handrim

No selection needed with One Arm Drive

Standard Handrims

Aluminum Anodized Std
 Plastic Coated £100
 Projection (8 Vertical Projections) £225
 Available only with full profile tires in combination with 22"-24" MAXX Performance, or 24" Mag wheel
 Omit Handrim

Natural Fit Handrims

Not available on 18" or 20" wheel sizes or 22" Mag wheel. Not recommended with Mag wheel.

Natural Fit LT Regular Grip £225
 Natural Fit Standard Regular Grip £225
 Natural Fit LT Super Grip £225
 Natural Fit Standard Super Grip £225
 Natural Fit LT Omit Grip £225
 Natural Fit Standard Omit Grip £225

Handrim Option

3M Micro Grip £75
 Not available on Plastic Coated or Projection Handrims

Rear Seat Height and Wheels continued

Axle

No selection needed with Drum Brake

- Quick Release _____ Std
 Quad Quick Release _____ £150
Not available with Mag or Spinergy wheels

Rear Wheel Spacing

Adjustable up to .5" outward. Minimum spacing with offset frame is 1.25" with 0° camber, 1" with 2° or 4° camber and .75" with 6° or 8° camber. .75" minimum with 0° camber on standard frame. 0° Camber and Mag wheel combination requires 1" minimum Rear Wheel Spacing. No selection needed with Wheelchair Drive Ready option. .5" and .75" not available with One Arm Drive. See Reference J on page 8.

- .5" .75" 1" 1.25" 1.5" 1.75"

Rear Wheel Camber

The following apply if One Arm Drive is selected: 6° and 8° not available. 4° not available with T-Arms.

- 0° 2° 4° 6° 8°

Wheel Locks

Wheel Lock

- Push to Lock _____ Std
 Push to Lock Flush Mount _____ N/C
Not available with Seat Depths less than 11" or Offset Frame
 Pull to Lock _____ £55
 Low Profile Scissor Lock _____ £45
Not available with Low Poly, Full Poly, Sentinel tires or Offset Hanger
 Short Thro Scissor Lock _____ £100
 Omit Wheel Locks _____ N/C

Center of Gravity Preset

Measured from front of back post to center of rear axle. 0" indicates axle will be directly under back post. Center of Gravity setup may be limited with certain configurations. 2" minimum Center of Gravity with 5th Wheel and One Arm Drive and 0" minimum with Transit Option. See reference I on page 8.

Amputee Positions

<input type="checkbox"/> -1.5"	<input type="checkbox"/> -1.25"	<input type="checkbox"/> -1"	<input type="checkbox"/> -.75"
<input type="checkbox"/> -.5"	<input type="checkbox"/> -.25"	<input type="checkbox"/> 0"	<input type="checkbox"/> .25"

Standard Positions

<input type="checkbox"/> .5"	<input type="checkbox"/> .75"	<input type="checkbox"/> 1"	<input type="checkbox"/> 1.25"
<input type="checkbox"/> 1.5"	<input type="checkbox"/> 1.75"	<input type="checkbox"/> 2"	<input type="checkbox"/> 2.25"
<input type="checkbox"/> 2.5"	<input type="checkbox"/> 2.75"	<input type="checkbox"/> 3"	<input type="checkbox"/> 3.25"
<input type="checkbox"/> 3.5"	<input type="checkbox"/> 3.75"	<input type="checkbox"/> 4"	<input type="checkbox"/> 4.25"

- Drum Brake **New!** _____ £440
Available only with 20", 22" and 24" MAXX Performance Spoke wheels. Not available with Fold Down Push Handles, or Ergo and Single Stroller Handles without integrated push handles. Axle is Quick Release.
 Dual - Drum Brake **New!** _____ £540
Available only with 20", 22" and 24" MAXX Performance Spoke wheels. Not available with Fold Down Push Handles, or Ergo and Single Stroller Handles without integrated push handles. Axle is Quick Release.
 Push to Lock Pull to Lock

Wheel Lock Options

- Extension Handles _____ £40
Available only with Push to Lock or Pull to Lock Wheel Locks
 Grade Aids _____ £120
Available only with Push to Lock Wheel Locks and Pneumatic or Pneumatic w/ Airless Insert tires

Armrests

Armrest Please select Arm Pad option

- Height Adjustable T-Arm (8.5" - 13.5") _____ £220
Not available with Seat Depths less than 13". 16" minimum Seat Depth with Offset Frame. 1.25" minimum Rear Wheel Spacing.
 Height Adjustable T-Arm Low (7.5" - 11.5") _____ £220
Not available with Seat Depths less than 12". 13" minimum Seat Depth with Offset Frame. 1.25" minimum Rear Wheel Spacing.
 Height Adjustable Pediatric Desk (6.5" - 10") _____ £200
Seat Depth plus Sling Position must be at least 12" with Offset Frame 1.25" minimum Rear Wheel Spacing.
 Angle Adjustable Locking Extendable Flip Up _____ £220
Requires Fixed Height Backrest. Not available with backrest heights less than 12".

Arm Pad

- Not available with Tubular Flip Up or Swing Away Armrests. Full Arm Pads not available with Height Adjustable Pediatric Desk Armrests.*
 Standard Arm Pad _____ N/C Desk Full
 Waterfall Arm Pad _____ £25 Desk Full
Not available with Angle Adjustable Locking Flip Up Extendable Armrests
 Foam Grip _____ N/C Desk Full
Available only with Angle Adjustable Locking Extendable Flip Up Armrest

Armrest continued

- Tubular Flip Up _____ Std
Requires Fixed Height Backrest. Not available with Arm Pads, Back Heights less than 13" or Back Heights less than 14" with Offset.
 Short Swing Away (7" - 9") _____ £160
Not available with Arm Pads or Outward Offset Back Posts. If selection is not available with rear wheel and rear seat height configuration, then Tall Swing Away armrest will be used.
 Tall Swing Away (9.25" - 11.25") _____ £160
Not available with Arm Pads or Outward Offset Back Posts
 Omit Armrests _____ N/C

Side Guards

Not available with T-Arms or Height Adjustable Pediatric Desk Armrests

Direct Mount

- Composite Side Guards - Adult (14" - 16") _____ £115
Seat Depth plus Sling Position must be at least 12"
- Composite Side Guards - Pediatric (10" - 14") _____ £115
Seat Depth plus Sling Position must be at least 10"

Clamp-On Mount

- Aluminum Adjustable Fender with Foam Pad
10" minimum Seat Depth
 - Black Matte _____ £245
 - Match Frame Color _____ £295
Not available with Hydrographics
- Carbon Fiber Adjustable Fender _____ £325
10" minimum Seat Depth

Accessories

5th Wheel

Rotating removable rear caster. Not available with Anti-Tips.

- Standard 5th Wheel _____ £170
- Dynamic 5th Wheel _____ £170
 - Elastomer: Soft Firm
 - Both elastomers are included; the selected elastomer will be installed.*

Anti-Tip

Not available with 5th wheel

- Rear Anti-Tips _____ £175

Calf Strap

Not available with 8" or 9" wide chairs

- Velcro Adjustable _____ N/C
- Padded Velcro Adjustable _____ £55
- Bodypoint Padded AeroMesh _____ £85

Pelvic Positioning Belt

- 1" Auto Buckle _____ £45
- 1" Padded Auto Buckle _____ £125
- 1 1/2" Auto Buckle _____ £45
- 1 1/2" Padded Auto Buckle _____ £125
- 2" Airline Buckle _____ £90
- Bodypoint Evoflex - Pelvic Stabilizer _____ £155
 - Size: Small (16-24") Medium (19-29") Large (25-37")

Belt Mounting Kit

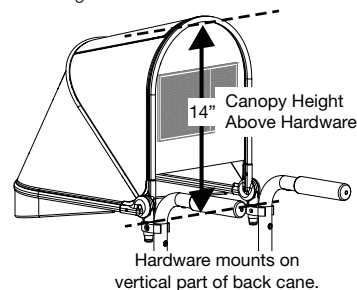
- Ki Mobility Belt Mounting Clamp _____ £30

Spoke Guards

- Clear Spoke Guards _____ £125
Not available with Mag wheel
- Black Spoke Guards _____ £125
Not available with 18" or 20" wheel sizes or Mag wheel
- Designer Spoke Guards _____ £150
Available only with 20" and 22" wheel sizes. Not available with Mag wheel.
 - Design:**
 - Blue Monster Fairy Garden Havin' a Hoot
 - Robo Fun Rockin' Reptiles Super Puppies
 - Tutu Cute Tuxedo Time

Other Accessories

- Tool Kit _____ N/C
- Removable Underseat Pouch _____ N/C
- Pediatric Ki Mobility Backpack _____ £60
Best fit on chairs more than 8" wide
- Ki Mobility Backpack _____ £60
Best fit on chairs more than 10" wide
- Luggage Carrier _____ £60
- Cane and Crutch Holder _____ £75
- Canopy with Hardware _____ £225
See image below



Color

Frame and Accent

Select desired frame and accent colors. Accent color is used on backrest rigidizer bar and front caster wings; if no accent color is selected, frame color will be used.

Gloss Finish		Frame	Accent	Matte Finish		Frame	Accent
Black	N/C	<input type="checkbox"/>	<input type="checkbox"/>	Charcoal Gray	N/C	<input type="checkbox"/>	<input type="checkbox"/>
Blue Skies	N/C	<input type="checkbox"/>	<input type="checkbox"/>	Emerald Green	N/C	<input type="checkbox"/>	<input type="checkbox"/>
Bubblegum Pink	N/C	<input type="checkbox"/>	<input type="checkbox"/>	Iridescent Burgundy	N/C	<input type="checkbox"/>	<input type="checkbox"/>
Candy Blue	N/C	<input type="checkbox"/>	<input type="checkbox"/>	Iridescent Navy	N/C	<input type="checkbox"/>	<input type="checkbox"/>
Candy Purple	N/C	<input type="checkbox"/>	<input type="checkbox"/>	Military Green	N/C	<input type="checkbox"/>	<input type="checkbox"/>
Candy Red	N/C	<input type="checkbox"/>	<input type="checkbox"/>	Retro Red	N/C	<input type="checkbox"/>	<input type="checkbox"/>
Copper	N/C	<input type="checkbox"/>	<input type="checkbox"/>	Royal Blue	N/C	<input type="checkbox"/>	<input type="checkbox"/>
Granny Smith	N/C	<input type="checkbox"/>	<input type="checkbox"/>	Shadow Black	N/C	<input type="checkbox"/>	<input type="checkbox"/>
Metallic Orange	N/C	<input type="checkbox"/>	<input type="checkbox"/>	Smooth White	N/C	<input type="checkbox"/>	<input type="checkbox"/>
Silver	N/C	<input type="checkbox"/>	<input type="checkbox"/>				
Teal	N/C	<input type="checkbox"/>	<input type="checkbox"/>				
Yellow	N/C	<input type="checkbox"/>	<input type="checkbox"/>				

Hydrographics

Visit www.kimobility.com for current Hydrographic options. Available on frame only; please choose accent color above. Does not include front caster wing. Note selection below.

_____ £600

Colored Anodizing Package

Select desired color. If no selection is made, black will be used. Included in Colored Anodizing Package: Backrest plates, camber tube, towers, CG clamps, side guard receivers, front caster forks (standard or unitine) and Dynamic 5th Wheel split clamp.

<input type="checkbox"/> Black	N/C
<input type="checkbox"/> Blue	£132
<input type="checkbox"/> Bright Green	£132
<input type="checkbox"/> Orange	£132
<input type="checkbox"/> Pewter	£132
<input type="checkbox"/> Pink	£132
<input type="checkbox"/> Purple	£132
<input type="checkbox"/> Red	£132
<input type="checkbox"/> Gold	£132

References

A. Seat Width See Diagram 1

Measured from outside of frame tube on one side to outside of frame tube on other side.

B. Seat Depth See Diagram 3

Measured from front of back posts to front edge of seat sling. Seat sling starts at beginning of bend at front of frame.

C. Front Frame Bend See Diagram 3

Angle between front seat tube and ground.

D. Sling Position See Diagram 2

With 0 Sling Position, sling is approximately 4" from the front tube. The 1" and 2" Sling Positions extend the frame in front of the sling by that amount. -1" pushes the seat 1" farther forward. See Charts 1 and 2 for more detail.

E. Front Seat Height See Diagram 1

Measured from floor to top of seat tube at front of seat sling.

F. Footrest Width See Diagram 1

Measured from inside of front tube to inside of front tube on other side. Footrest width is listed below for each seat width. See Chart 1 for more detail.

G. Seat to Footrest Length See Diagram 3

Measured from front edge of seat sling to top of rear of footrest. Footrest length of at least 2.5" shorter than front seat height recommended.

H. Rear Seat Height See Diagram 3

Measured from floor to top of seat tube at front of back post. Rear seat height is custom to needs.

I. Center of Gravity Preset See Diagram 3

Measured from front of back post to center of rear axle. 0" indicates axle will be directly under back post.

J. Rear Wheel Spacing See Diagram 1

Measured from outside of seat back to inside of rear tire. Adjustable up to .5" outward.

Chart 1

Seat Width	F. Footrest Width	
	Straight Frame (Diagram 1)	Offset Frame
8"	5.75"	9"
9"	6.75"	10"
10"	7.75"	11"
11"	8.75"	12"
12"	9.75"	13"
13"	10.75"	14"
14"	11.75"	15"
15"	12.75"	16"
16"	13.75"	17"

Diagram 1

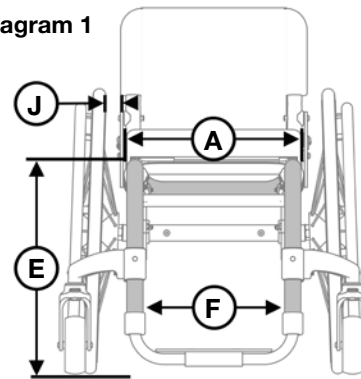


Diagram 2

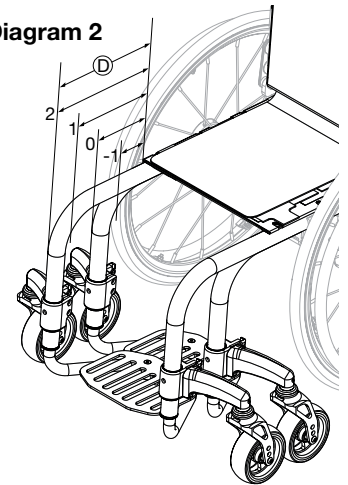


Diagram 3

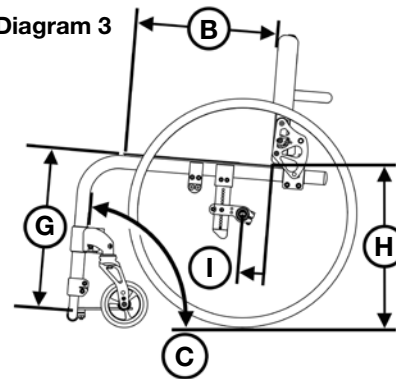


Chart 2

Sling Position / Adjustable Depth / Seat Depth Compatibility									
Sling Position	-1", 0"			1"			2"		
	1"	2"	3"	1"	2"	3"	1"	2"	3"
Seat Depth	14"								X
	15"					X		X	X
	16"			X		X	X	X	X

"X" indicates Sling Position, Adjustable Depth and Seat Depth combination is not available.
 -1" Sling Position, 0" Adjustable Depth and 8" - 13" Seat Depths have no restrictions.

Axiom G, S and P Cushions

Select size in chart at right. Weight capacity: 350 lbs.

- Axiom G, S and P Cushions**
- Axiom G _____ £75
 - Axiom S _____ £99
 - Axiom P _____ £150

Axiom G, S or P Cushion Quantity: 1 2
 If no selection is made, quantity 1 will be selected

		Width								
		14"	15"	16"	17"	18"	19"	20"	21"	22"
Depth	14"	<input type="checkbox"/>								
	15"	<input type="checkbox"/>	<input type="checkbox"/>	<input type="checkbox"/>						
	16"	<input type="checkbox"/>	<input type="checkbox"/>	<input type="checkbox"/>	<input type="checkbox"/>	<input type="checkbox"/>	<input type="checkbox"/>	<input type="checkbox"/>		
	17"	<input type="checkbox"/>	<input type="checkbox"/>	<input type="checkbox"/>	<input type="checkbox"/>	<input type="checkbox"/>	<input type="checkbox"/>	<input type="checkbox"/>		
	18"	<input type="checkbox"/>	<input type="checkbox"/>	<input type="checkbox"/>	<input type="checkbox"/>	<input type="checkbox"/>	<input type="checkbox"/>	<input type="checkbox"/>		<input type="checkbox"/>
	19"		<input type="checkbox"/>	<input type="checkbox"/>	<input type="checkbox"/>	<input type="checkbox"/>	<input type="checkbox"/>	<input type="checkbox"/>		<input type="checkbox"/>
	20"		<input type="checkbox"/>	<input type="checkbox"/>	<input type="checkbox"/>	<input type="checkbox"/>	<input type="checkbox"/>	<input type="checkbox"/>		<input type="checkbox"/>
	21"			<input type="checkbox"/>		<input type="checkbox"/>	<input type="checkbox"/>	<input type="checkbox"/>		<input type="checkbox"/>
22"			<input type="checkbox"/>		<input type="checkbox"/>	<input type="checkbox"/>	<input type="checkbox"/>		<input type="checkbox"/>	

Axiom SP Cushions

Select size in chart at right. Weight capacity: 350 lbs.

- Axiom SP Cushions**
- Axiom SP - Visco _____ £330
 - Axiom SP - Fluid _____ £300

Axiom SP Cushion Quantity: 1 2
 If no selection is made, quantity 1 will be selected

		Width								
		14"	15"	16"	17"	18"	19"	20"	21"	22"
Depth	14"	<input type="checkbox"/>	<input type="checkbox"/>	<input type="checkbox"/>						
	15"	<input type="checkbox"/>	<input type="checkbox"/>	<input type="checkbox"/>	<input type="checkbox"/>	<input type="checkbox"/>				
	16"	<input type="checkbox"/>	<input type="checkbox"/>	<input type="checkbox"/>	<input type="checkbox"/>	<input type="checkbox"/>	<input type="checkbox"/>	<input type="checkbox"/>		<input type="checkbox"/>
	17"	<input type="checkbox"/>	<input type="checkbox"/>	<input type="checkbox"/>	<input type="checkbox"/>	<input type="checkbox"/>	<input type="checkbox"/>	<input type="checkbox"/>		<input type="checkbox"/>
	18"	<input type="checkbox"/>	<input type="checkbox"/>	<input type="checkbox"/>	<input type="checkbox"/>	<input type="checkbox"/>	<input type="checkbox"/>	<input type="checkbox"/>	<input type="checkbox"/>	<input type="checkbox"/>
	19"	<input type="checkbox"/>	<input type="checkbox"/>	<input type="checkbox"/>	<input type="checkbox"/>	<input type="checkbox"/>	<input type="checkbox"/>	<input type="checkbox"/>	<input type="checkbox"/>	<input type="checkbox"/>
	20"	<input type="checkbox"/>	<input type="checkbox"/>	<input type="checkbox"/>	<input type="checkbox"/>	<input type="checkbox"/>	<input type="checkbox"/>	<input type="checkbox"/>	<input type="checkbox"/>	<input type="checkbox"/>
	21"		<input type="checkbox"/>	<input type="checkbox"/>	<input type="checkbox"/>	<input type="checkbox"/>	<input type="checkbox"/>	<input type="checkbox"/>	<input type="checkbox"/>	<input type="checkbox"/>
22"		<input type="checkbox"/>	<input type="checkbox"/>	<input type="checkbox"/>	<input type="checkbox"/>	<input type="checkbox"/>	<input type="checkbox"/>	<input type="checkbox"/>	<input type="checkbox"/>	

Axiom Cushion Accessories

- Outer Covers**
- Axiom G Extra Outer Cover _____ £56
 - Axiom S Extra Outer Cover _____ £64
 - Axiom P Extra Outer Cover _____ £72
 - Axiom SP Extra Visco Outer Cover _____ £80
 - Axiom SP Extra Fluid Outer Cover _____ £80

Outer Cover Quantity: 1 2
 If no selection is made, quantity 1 will be selected

- Inner Covers**
- Axiom SP Extra Visco Inner Cover _____ £80
 - Axiom SP Extra Fluid Inner Cover _____ £80

Inner Cover Quantity: 1 2
 If no selection is made, quantity 1 will be selected

- Solid Seat Insert**
- Select size in chart below. Weight capacity: 350 lbs.
- Solid Seat Insert _____ £44

		Width								
		14"	15"	16"	17"	18"	19"	20"	21"	22"
Depth	14"	<input type="checkbox"/>	<input type="checkbox"/>	<input type="checkbox"/>						
	15"	<input type="checkbox"/>	<input type="checkbox"/>	<input type="checkbox"/>	<input type="checkbox"/>					
	16"	<input type="checkbox"/>	<input type="checkbox"/>	<input type="checkbox"/>	<input type="checkbox"/>	<input type="checkbox"/>	<input type="checkbox"/>	<input type="checkbox"/>		<input type="checkbox"/>
	17"	<input type="checkbox"/>	<input type="checkbox"/>	<input type="checkbox"/>	<input type="checkbox"/>	<input type="checkbox"/>	<input type="checkbox"/>	<input type="checkbox"/>		<input type="checkbox"/>
	18"	<input type="checkbox"/>	<input type="checkbox"/>	<input type="checkbox"/>	<input type="checkbox"/>	<input type="checkbox"/>	<input type="checkbox"/>	<input type="checkbox"/>	<input type="checkbox"/>	<input type="checkbox"/>
	19"	<input type="checkbox"/>	<input type="checkbox"/>	<input type="checkbox"/>	<input type="checkbox"/>	<input type="checkbox"/>	<input type="checkbox"/>	<input type="checkbox"/>	<input type="checkbox"/>	<input type="checkbox"/>
	20"	<input type="checkbox"/>	<input type="checkbox"/>	<input type="checkbox"/>	<input type="checkbox"/>	<input type="checkbox"/>	<input type="checkbox"/>	<input type="checkbox"/>	<input type="checkbox"/>	<input type="checkbox"/>
	21"		<input type="checkbox"/>	<input type="checkbox"/>	<input type="checkbox"/>	<input type="checkbox"/>	<input type="checkbox"/>	<input type="checkbox"/>	<input type="checkbox"/>	<input type="checkbox"/>
22"		<input type="checkbox"/>	<input type="checkbox"/>	<input type="checkbox"/>	<input type="checkbox"/>	<input type="checkbox"/>	<input type="checkbox"/>	<input type="checkbox"/>	<input type="checkbox"/>	

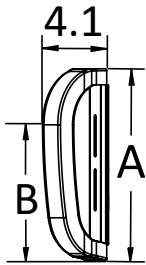
Solid Seat Insert Quantity: 1 2
 If no selection is made, quantity 1 will be selected

Axiom Back

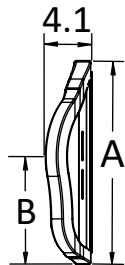
Select back that is the same or up to 2" narrower than the width of the frame. Hardware is included with back. Low Back selections are not available with headrests, modifications, or posture supports. Weight capacity: 300 lbs.

Axiom Posterior Back (PB)

		Width						
		12"	14"	16"	18"	20"	22"	
Retail		£475	£475	£475	£475	£475	£475	
Height	Low	8"	<input type="checkbox"/> AXPB1208	<input type="checkbox"/> AXPB1408	<input type="checkbox"/> AXPB1608	<input type="checkbox"/> AXPB1808	<input type="checkbox"/> AXPB2008	
		10"		<input type="checkbox"/> AXPB1410	<input type="checkbox"/> AXPB1610	<input type="checkbox"/> AXPB1810	<input type="checkbox"/> AXPB2010	<input type="checkbox"/> AXPB2210
		12"	<input type="checkbox"/> AXPB1212	<input type="checkbox"/> AXPB1412	<input type="checkbox"/> AXPB1612	<input type="checkbox"/> AXPB1812	<input type="checkbox"/> AXPB2012	
	Mid	14"		<input type="checkbox"/> AXPB1414	<input type="checkbox"/> AXPB1614	<input type="checkbox"/> AXPB1814	<input type="checkbox"/> AXPB2014	<input type="checkbox"/> AXPB2214
		16"	<input type="checkbox"/> AXPB1216	<input type="checkbox"/> AXPB1416	<input type="checkbox"/> AXPB1616	<input type="checkbox"/> AXPB1816	<input type="checkbox"/> AXPB2016	
		18"		<input type="checkbox"/> AXPB1418	<input type="checkbox"/> AXPB1618	<input type="checkbox"/> AXPB1818	<input type="checkbox"/> AXPB2018	<input type="checkbox"/> AXPB2218



Axiom Posterior Back - Low

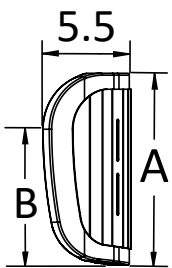


Axiom Posterior Back - Mid

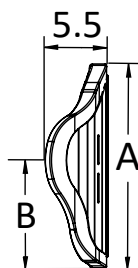
Axiom Posterior Back Measurement Reference					
		Back Height	A	B	Shell Contour Depth
Height	Low	8"	10"	6.5"	2.25"
		10"	12"	8.5"	
		12"	14"	10.5"	
	Mid	14"	16"	8.5"	
		16"	18"	9.5"	
		18"	20"	10.5"	

Axiom Posterior Lateral Back (PL)

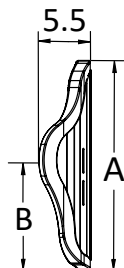
		Width						
		12"	14"	16"	18"	20"	22"	
Retail		£510	£510	£510	£510	£510	£510	
Height	Low	8"	<input type="checkbox"/> AXPL1208	<input type="checkbox"/> AXPL1408	<input type="checkbox"/> AXPL1608	<input type="checkbox"/> AXPL1808	<input type="checkbox"/> AXPL2008	
		10"		<input type="checkbox"/> AXPL1410	<input type="checkbox"/> AXPL1610	<input type="checkbox"/> AXPL1810	<input type="checkbox"/> AXPL2010	<input type="checkbox"/> AXPL2210
		12"	<input type="checkbox"/> AXPL1212	<input type="checkbox"/> AXPL1412	<input type="checkbox"/> AXPL1612	<input type="checkbox"/> AXPL1812	<input type="checkbox"/> AXPL2012	
	Mid	14"		<input type="checkbox"/> AXPL1414	<input type="checkbox"/> AXPL1614	<input type="checkbox"/> AXPL1814	<input type="checkbox"/> AXPL2014	<input type="checkbox"/> AXPL2214
		16"	<input type="checkbox"/> AXPL1216	<input type="checkbox"/> AXPL1416	<input type="checkbox"/> AXPL1616	<input type="checkbox"/> AXPL1816	<input type="checkbox"/> AXPL2016	
		18"		<input type="checkbox"/> AXPL1418	<input type="checkbox"/> AXPL1618	<input type="checkbox"/> AXPL1818	<input type="checkbox"/> AXPL2018	<input type="checkbox"/> AXPL2218
	Tall	20"	<input type="checkbox"/> AXPL1220	<input type="checkbox"/> AXPL1420	<input type="checkbox"/> AXPL1620	<input type="checkbox"/> AXPL1820	<input type="checkbox"/> AXPL2020	
		22"		<input type="checkbox"/> AXPL1422	<input type="checkbox"/> AXPL1622	<input type="checkbox"/> AXPL1822	<input type="checkbox"/> AXPL2022	<input type="checkbox"/> AXPL2222



Axiom Posterior Lateral Back - Low



Axiom Posterior Lateral Back - Mid



Axiom Posterior Lateral Back - Tall

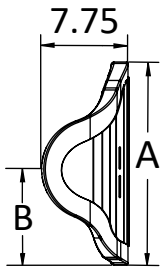
Axiom Posterior Lateral Back Measurement Reference					
		Back Height	A	B	Shell Contour Depth
Height	Low	8"	10"	6.5"	3.65"
		10"	12"	8.5"	
		12"	14"	10.5"	
	Mid	14"	16"	8.5"	
		16"	18"	9.5"	
		18"	20"	10.5"	
	Tall	20"	22"	11.5"	
		22"	24"	12.5"	

Axiom Back continued

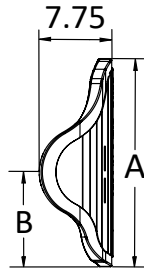
Select back that is the same or up to 2" narrower than the width of the frame. Hardware is included with back. Weight capacity: 300 lbs.

Axiom Deep Lateral Back (DL)

		Width						
		12"	14"	16"	18"	20"	22"	
Retail		£590	£590	£590	£590	£590	£590	
Height	Mid	14"	<input type="checkbox"/> AXDL1214	<input type="checkbox"/> AXDL1414	<input type="checkbox"/> AXDL1614	<input type="checkbox"/> AXDL1814	<input type="checkbox"/> AXDL2014	<input type="checkbox"/> AXDL2214
		16"		<input type="checkbox"/> AXDL1416	<input type="checkbox"/> AXDL1616	<input type="checkbox"/> AXDL1816	<input type="checkbox"/> AXDL2016	
		18"	<input type="checkbox"/> AXDL1218	<input type="checkbox"/> AXDL1418	<input type="checkbox"/> AXDL1618	<input type="checkbox"/> AXDL1818	<input type="checkbox"/> AXDL2018	<input type="checkbox"/> AXDL2218
	Tall	20"	<input type="checkbox"/> AXDL1220	<input type="checkbox"/> AXDL1420	<input type="checkbox"/> AXDL1620	<input type="checkbox"/> AXDL1820	<input type="checkbox"/> AXDL2020	
		22"		<input type="checkbox"/> AXDL1422	<input type="checkbox"/> AXDL1622	<input type="checkbox"/> AXDL1822	<input type="checkbox"/> AXDL2022	<input type="checkbox"/> AXDL2222



Axiom Deep Lateral Back - Mid



Axiom Deep Lateral Back - Tall

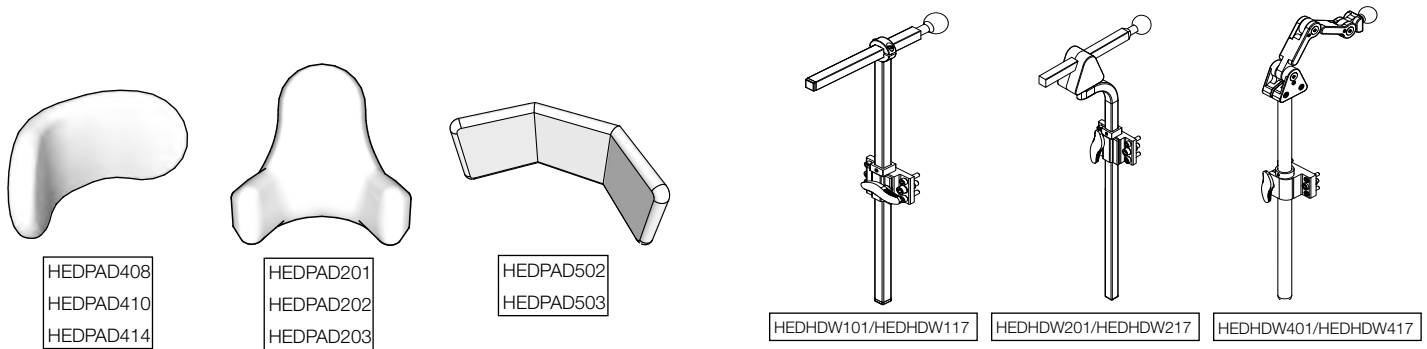
		Axiom Deep Lateral Back Measurement Reference							Shell Contour Depth	
		Back Height	A	B ¹						
Height	Mid	14"	16"	8.25"	8.25"	8.25"	8.25"	8.25"	8.25"	6"
		16"	18"	9.25"	9.25"	9.25"	9.25"	9.25"	9.25"	
		18"	20"	10.25"	10.25"	10.25"	10.25"	10.25"	10.25"	
	Tall	20"	22"	9.5"	9.75"	10"	10.25"	10.25"	10.5"	
		22"	24"	10.75"	11"	11.25"	11.5"	11.5"	11.75"	

¹ Measurement based on back width

Axiom Back Accessories

Headrest and Hardware

Choose headrest and hardware combination in chart below. Not available with Low Backs.



		Hardware						
		Standard Straight Back Mount Hardware with Ball		Multi Axis Removable Hardware with Horizontal Bar		Headrest Hardware with Ball		
		HEDHDW101 / HEDHDW117		HEDHDW201 / HEDHDW217		HEDHDW401 / HEDHDW417		
	Description	Item Code	Kio Code	Retail	Kio Code	Retail	Kio Code	Retail
Headrest Pad	Comfort Plus Headrest 8"	HEDPAD408	<input type="checkbox"/> HDR001	£221.60	<input type="checkbox"/> HDR009	£250.40	<input type="checkbox"/> HDR017	£310.40
	Comfort Plus Headrest 10"	HEDPAD410	<input type="checkbox"/> HDR002	£221.60	<input type="checkbox"/> HDR010	£250.40	<input type="checkbox"/> HDR018	£310.40
	Comfort Plus Headrest 14"	HEDPAD414	<input type="checkbox"/> HDR003	£221.60	<input type="checkbox"/> HDR011	£250.40	<input type="checkbox"/> HDR019	£310.40
	Small All Positioning Headrest Pad and Ring Only	HEDPAD201	<input type="checkbox"/> HDR004	£221.60	<input type="checkbox"/> HDR012	£250.40	<input type="checkbox"/> HDR020	£310.40
	Medium All Positioning Headrest Pad and Ring Only	HEDPAD202	<input type="checkbox"/> HDR005	£221.60	<input type="checkbox"/> HDR013	£250.40	<input type="checkbox"/> HDR021	£310.40
	Large All Positioning Headrest Pad and Ring Only	HEDPAD203	<input type="checkbox"/> HDR006	£221.60	<input type="checkbox"/> HDR014	£250.40	<input type="checkbox"/> HDR022	£310.40
	Tri-Comfort Plus Headrest 14"	HEDPAD502	<input type="checkbox"/> HDR007	£230.40	<input type="checkbox"/> HDR015	£259.20	<input type="checkbox"/> HDR023	£319.20
	Tri-Comfort Plus Headrest 19"	HEDPAD503	<input type="checkbox"/> HDR008	£230.40	<input type="checkbox"/> HDR016	£259.20	<input type="checkbox"/> HDR024	£319.20

Headrest Hardware Options

	Description	Item Code	Retail
<input type="checkbox"/>	Headrest Flip Down Mount <i>Available only with HEDHMD401/HEDHMD417</i>	HDR100	£140
<input type="checkbox"/>	Universal Mounting Plate <i>For use with other manufacturer headrests</i>	UMP	£35

Axiom Back Accessories continued

Lateral Support						
Pair	Left	Right	Description	Item Code	Pair	Each
Laterals for Posterior Back						
<input type="checkbox"/>	<input type="checkbox"/>	<input type="checkbox"/>	3 x 4 Lateral Pads with Fixed Mounting Hardware for Axiom Posterior Back	LF3x4P	£244	£122
<input type="checkbox"/>	<input type="checkbox"/>	<input type="checkbox"/>	4 x 5 Lateral Pads with Fixed Mounting Hardware for Axiom Posterior Back	LF4x5P	£244	£122
<input type="checkbox"/>	<input type="checkbox"/>	<input type="checkbox"/>	3 x 4 Lateral Pads with Swing Away Mounting Hardware for Axiom Posterior Back	LS3x4P	£520	£260
<input type="checkbox"/>	<input type="checkbox"/>	<input type="checkbox"/>	4 x 5 Lateral Pads with Swing Away Mounting Hardware for Axiom Posterior Back	LS4x5P	£520	£260
Laterals for Posterior Lateral Back						
<input type="checkbox"/>	<input type="checkbox"/>	<input type="checkbox"/>	3 x 4 Lateral Pads with Fixed Mounting Hardware for Axiom Posterior Lateral Back	LF3x4L	£244	£122
<input type="checkbox"/>	<input type="checkbox"/>	<input type="checkbox"/>	4 x 5 Lateral Pads with Fixed Mounting Hardware for Axiom Posterior Lateral Back	LF4x5L	£244	£122
<input type="checkbox"/>	<input type="checkbox"/>	<input type="checkbox"/>	3 x 4 Lateral Pads with Swing Away Mounting Hardware for Axiom Posterior Lateral Back	LS3x4L	£520	£260
<input type="checkbox"/>	<input type="checkbox"/>	<input type="checkbox"/>	4 x 5 Lateral Pads with Swing Away Mounting Hardware for Axiom Posterior Lateral Back	LS4x5L	£520	£260

Axiom Lateral Support Modifications

Extended lead times will apply. Modified Lateral Supports are not eligible for refund.

	Description	Item Code	Retail
<input type="checkbox"/>	Modification for Chest Strap attached to Lateral Supports	AXMLATMT	N/C

Privacy Flap

	Description	Retail
<input type="checkbox"/>	Privacy Flap	£36

Shoulder Guides

	Description	Item Code	Retail
<input type="checkbox"/>	Shoulder Strap Guides and Mount <i>Selection of a modification from the Axiom Back Modifications required in order to mount Shoulder Guides. Not available with Low Backs.</i>	AXBSG	£35

Therafin Posture Support

Selection of a modification from the Axiom Back Modifications section required in order to mount posture supports. Not available with Low Backs.

	Description	Item Code	Retail
<input type="checkbox"/>	Small Static Therafit 2-Piece Chest Strap with H & L Adj and 1" Safety Strap	60153T	£115.20
<input type="checkbox"/>	Medium Static Therafit 2-Piece Chest Strap with H & L Adj and 1" Safety Strap	60154T	£115.20
<input type="checkbox"/>	Large Static Therafit 2-Piece Chest Strap with H & L Adj and 1" Safety Strap	60155T	£115.20
<input type="checkbox"/>	Small Dynamic Therafit Chest Strap with Dual D-Ring Adjustment	60110T	£90.40
<input type="checkbox"/>	Medium Dynamic Therafit Chest Strap with Dual D-Ring Adjustment	60111T	£90.40
<input type="checkbox"/>	Large Dynamic Therafit Chest Strap with Dual D-Ring Adjustment	60112T	£90.40
<input type="checkbox"/>	Small Dynamic Therafit Comfortfit Full Vest	30589T	£133.60
<input type="checkbox"/>	Medium Dynamic Therafit Comfortfit Full Vest	30590T	£133.60
<input type="checkbox"/>	Large Dynamic Therafit Comfortfit Full Vest	30591T	£133.60
<input type="checkbox"/>	XLarge Dynamic Therafit Comfortfit Full Vest	30592T	£133.60
<input type="checkbox"/>	XXLarge Dynamic Therafit Comfortfit Full Vest	30593T	£133.60
<input type="checkbox"/>	Small Dynamic Therafit Comfortfit Trim Vest	30618T	£135.20
<input type="checkbox"/>	Medium Dynamic Therafit Comfortfit Trim Vest	30619T	£135.20
<input type="checkbox"/>	Large Dynamic Therafit Comfortfit Trim Vest	30620T	£135.20
<input type="checkbox"/>	XLarge Dynamic Therafit Comfortfit Trim Vest	30621T	£135.20
<input type="checkbox"/>	XXLarge Dynamic Therafit Comfortfit Trim Vest	30622T	£135.20

Axiom Back Modifications

Extended lead times will apply for all modifications. Makes back non-refundable.

Axiom Back Modifications

Choose modification to add holes to the back shell in order to mount posture supports. Not available with Low Backs.

	Description	Item Code	Retail
<input type="checkbox"/>	Modification for 4 Point Harness	AXM4PT	N/C
<input type="checkbox"/>	Modification for 2 Point Chest Strap	AXM2PT	N/C
<input type="checkbox"/>	Modification for Shoulder Guides	AXMSG	N/C

Painted Back Shell Modification

If no selection is made, standard Shadow Black will be used with no additional lead time

	Gloss Finish	Item Code	Retail
<input type="checkbox"/>	Black	AXMBLK	N/C
<input type="checkbox"/>	Blue Skies	AXMSKY	N/C
<input type="checkbox"/>	Bubblegum Pink	AXMPNK	N/C
<input type="checkbox"/>	Candy Blue	AXMCBL	N/C
<input type="checkbox"/>	Candy Purple	AXMPUR	N/C
<input type="checkbox"/>	Candy Red	AXMRED	N/C
<input type="checkbox"/>	Copper	AXMCOP	N/C
<input type="checkbox"/>	Granny Smith	AXMGSM	N/C
<input type="checkbox"/>	Metallic Orange	AXMMOR	N/C
<input type="checkbox"/>	Silver	AXMSIL	N/C
<input type="checkbox"/>	Teal	AXMTEA	N/C
<input type="checkbox"/>	Yellow	AXMYLW	N/C

	Matte Finish	Item Code	Retail
<input type="checkbox"/>	Charcoal Gray	AXMCGM	N/C
<input type="checkbox"/>	Emerald Green	AXMEGM	N/C
<input type="checkbox"/>	Iridescent Burgundy	AXMIBM	N/C
<input type="checkbox"/>	Iridescent Navy	AXMINM	N/C
<input type="checkbox"/>	Military Green	AXMAGM	N/C
<input type="checkbox"/>	Retro Red	AXMRRM	N/C
<input type="checkbox"/>	Royal Blue	AXMRBM	N/C
<input type="checkbox"/>	Smooth White	AXMSWM	N/C